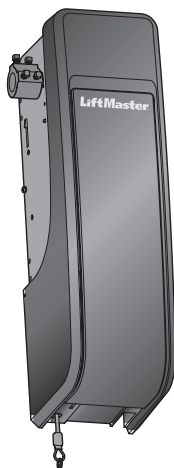


# LiftMaster®

LM3800W

- en** Wall Mount Residential Wi-Fi® Garage Door Opener
- de** Wi-Fi® Wand-Garagentorantrieb für en Privatgebrauch
- fr** Système d'ouverture Wi-Fi® pour portes de garage, montage mural, pour particuliers
- nl** Wi-Fi®-garagedeuraandrijving voor uw garage
- da** Wall Mount Residential Wi-Fi® Garageportåbner
- no** Veggmontert for boliger Wi-Fi® Garasjeportåpner
- sv** Vägghmonterad Wi-Fi®-garageportöppnare för hemmabruk
- pl** Napęd Wi-Fi® do bram garażowych przeznaczony dla budynków mieszkalnych i montażu naściennego
- cs** Nástěnné domácí Wi-Fi® otevírání garážových
- sl** Montaža domačega brezžičnega sistema za odpiranje garažni vrat na steno
- it** Automatismo per porte di garage residenziali Wi-Fi® con montaggio a muro
- es** Abridor de puerta de garaje residencial Wi-Fi® de montaje en pared
- hu** Fali felszerelésű, lakóépületi Wi-Fi® garázsajtónyitó
- fi** Seinälle asennettava asuintalojen Wi-Fi® -autotallinoven avaaja
- sk** Reziidenčný Wi-Fi® systém s montážou na stenu Zariadenie na otváranie garážových dverí
- rus** Настенный привод гаражных ворот с Wi-Fi®
- hr** Zidni uređaj za otvaranje garažnih vrata „Wall Mount Residential Wi-Fi®“
- ro** Sistem de acționare Wi-Fi® pentru porți de garaj rezidențiale, cu montaj pe perete
- is** Veggfestur Wi-Fi®-bílskúrshurðaðopnari af gerð



**Note:**

The original installation and operating instructions were compiled in English.  
Any other available language is a translation of the original English version.

<b>1</b>	General Safety Guidelines.....	3
<b>2</b>	Intended Use .....	4
<b>3</b>	Planning Door Operation .....	4
<b>4</b>	Planning for MyQ Operation.....	4
<b>5</b>	Preparing Your Garage Door.....	5
<b>6</b>	Tools Needed.....	5
<b>7</b>	Carton Inventory.....	5
<b>8</b>	Required Accessories.....	5
<b>9</b>	Attach the Collar to the Garage Door Opener.....	6
<b>10</b>	Attach Mounting Bracket to Garage Door Opener.....	6
<b>11</b>	Position and Mount the Garage Door Opener.....	6
<b>12</b>	Attach the Emergency Release Rope and Handle.....	6
<b>13</b>	Install the Automatic Door Lock.....	7
<b>14</b>	Attach the Cable Tension Monitor (041A9264) (required accessory).....	7
<b>15</b>	Install MyQ Remote LED Light (designed for dry areas only).....	8
<b>16</b>	Electrical Connection.....	8
<b>17</b>	Installation of Photocells.....	8
<b>18</b>	Connect Power.....	9
<b>19</b>	Install the Battery Backup (Optional accessory).....	9
<b>20</b>	Program the Travel.....	10
<b>21</b>	Test the Safety Reversal System.....	10
<b>22</b>	To Open the Door Manually.....	11
<b>23</b>	Using Your Garage Door Opener.....	11
<b>24</b>	Connect With Your Smartphone.....	13
<b>25</b>	Program Your Opener And Remote / The Wireless Push Button/ / Wireless Keypad (Optional).....	14
<b>26</b>	Program the MyQ Remote LED Light.....	14
<b>27</b>	To Erase the Memory.....	15
<b>28</b>	Maintenance Care of Your Garage Door Opener.....	15
<b>29</b>	Replace Batteries of The Remote Control.....	15
<b>30</b>	Disposal.....	16
<b>31</b>	Diagnostic Chart.....	16
<b>32</b>	Troubleshooting.....	17
<b>33</b>	Optional Accessories.....	19
<b>34</b>	Technical Data.....	19
<b>35</b>	Automatic Garage Door Opener Safety & Maintenance Guide.....	20
<b>36</b>	Routine Maintenance Can Prevent Tragedies.....	21

# WARNING!

## START BY READING THESE IMPORTANT SAFETY INSTRUCTIONS!

### 1 General Safety Guidelines

Before you begin the installation:

Please read the operating instructions and especially the precautions. Keep the manual for future reference and pass it on to a possible subsequent owner. The following symbols are placed in front of instructions to avoid personal injury or property damage. Read these instructions carefully.



#### CAUTION

Personal injury or property damage



#### CAUTION

Danger due to electric current or voltage

#### Important safety information

The automated door opening system has been as a matter of course tested and designed for safe operation, but safety can be assured only if the safety instructions listed below are strictly adhered to during installation and operation. This product is intended for installation only by trained garage door technicians. This product may require adjustments to door springs and/or track configurations. This product is not intended for use on low headroom tracks with outside pickup drum or garage doors utilizing extension springs.

- The installer (specialist) must carefully read and understand these instructions before starting any work. Before first use and at least annually a specialist must inspect powered windows, doors and gates regarding their safe condition. Specialist is, who on the basis of their technical training and experience, has sufficient knowledge in the field of powered windows, doors and gates and moreover is familiar with relevant state occupational safety regulations and generally accepted rules of technology in such an extent that he is also able to assess the safe working condition of powered windows, doors and gates.
- The person installing must have knowledge of the following standards: EN 13241, EN 12604, EN 12453. The trained specialist/expert must instruct the operator in the following:
  - The operation of the drive and its dangers
  - The handling of the manual emergency unlocking mechanism
  - The regular maintenance, inspection and care, and his tasks
  - The operator must instruct other users on the operation of the drive. After successful installation of the drive, the person responsible for the installation of the drive in accordance with the Machinery Directive 2006/42/EC must issue the EC declaration of conformity for the gate system. The CE mark and a type plate must be attached to the gate system. This is also obligatory in the process of retrofitting on a manually operated gate. Further, a handover protocol and an inspection book must be filled in.
- The door should be balanced. Unmoving or stuck doors must be repaired. In an unbalanced state, garage doors, door springs, cables, discs, brackets and rails are under extreme tension, which can lead to serious injury. Do not attempt to loosen, move or realign the door, but contact service centre or a door professional.
- During the installation or maintenance of a door opener, no jewellery, watches or loose clothing should be worn.
- To avoid serious personal injury due to entanglement, remove all cables and chains connected to the door before installing the door opener.
- During installation and electrical connection, the local building and electrical regulations must be observed.
- Installation of the cable tension monitor is required according to EN12453.
- To avoid damage to very light doors (such as fibre glass, aluminium or steel doors), an appropriate reinforcement should be added. To do so, contact the door manufacturer.
- The automatic safety reverse system should undergo a test. Upon contact with a 40 mm high barrier on the ground, the garage door MUST return. Failure to properly adjust the door opener can result in serious personal injury from a closing garage door. Repeat test once a month and make any needed changes.
- This system must not be installed in damp or wet areas.
- During operation, the gate should not under any circumstances obstruct public passageways.
- To remind all operators of the safe operation, in addition to the illuminated wall switch a warning sign to protect children should be affixed. The warning signs about the risk of trapping should be placed in clearly visible spots.
- Children should be supervised to ensure that they do not play with the device. Do not allow children to operate push button(s) or remote(s).
- This device is not intended for use by persons (including children) with restricted physical, sensory or mental abilities or lack of experience and/or knowledge, unless they are supervised by a person responsible for their safety or have received instruction in how to use the device.
- All barriers / locks are deactivated to avoid damage to the door.
- If necessary, installed control equipment MUST be mounted within sight of the door and out of reach of children. Children should not be allowed to operate the buttons or remote controls. Misuse of the door opener can result in serious injury.
- The door opener should ONLY be used if the operator can see the entire door area and is assured that it is free of obstacles and the door opener is set correctly. No one may pass through the door while it is moving. Children must not be allowed to play in the vicinity of the door.
- Use the manual release only for the separation of the carriage from the drive and – if possible – ONLY with the door closed. Do not use the red handle to push the door up or pull it down.
- Before performing any repairs or removing covers, the door opener should be separated from the electric power supply.  
**The repairs and electrical installations may be performed only by an authorized electrician.**

- This product has a transformer with a special power cord. In case of damage this **MUST** be replaced with an original transformer by a qualified technician.
- Operation of the emergency release can lead to uncontrolled movements of the door, if springs are weak or broken or if the door is unbalanced.
- Mount the release handle of the emergency release at a height less than 1.80 m.
- The Timer-to-Close (TTC) feature, the MyQ Smartphone Control app, and MyQ Garage Door and Gate Monitor are examples of unattended close and are to be used **ONLY** with sectional doors. Any device or feature that allows the door to close without being in the line of sight of the door is considered unattended close. The Timer-to-Close (TTC) feature, the MyQ Smartphone Control, and any other MyQ devices are to be used **ONLY** with sectional doors.
- The drive must not be used with a door incorporating a wicket door.

Save these instructions.

## 2 Intended Use

The device is intended for the opening and closing of doors that use a torsion bar and springs (please refer to point 3 "Planning"). The device is not meant for commercial use but solely for the use in private garage doors that are appropriate for a single household. Any improper use of the drive could increase the risk of accidents. The manufacturer assumes no liability for such usage. Only the **original** accessories of LiftMaster may be connected to the drive. With this drive, automated gates must comply with the currently valid international and country-specific and local standards, guidelines and regulations (EN 13241, EN 12453 and EN 12604).

## 3 Planning Door Operation

Survey your area to see if any of the conditions below apply to your installation. Depending on your requirements, additional materials may be required.

**THIS DOOR OPENER IS COMPATIBLE WITH:**

- Doors that use a torsion bar and springs. The torsion bar must be 25.4 mm diameter. NOT compatible with reverse wound drums.
- 80-120 mm drums, not to be used on tapered drums over 120 mm.
- Standard lift sectional doors up to 3 m high.
- Doors up to 5.5 m wide.
- Doors up to 16.5 m<sup>2</sup>.

***NOTE:** Inspect the torsion bar while the door is raised and lowered. It is important that there is no noticeable movement up and down or left and right. If the movement is not corrected, the life of the garage door opener will be greatly reduced.*

Review or inspect proposed installation area. The door opener can be installed on the left or right side of door. Select the side that meets the requirements listed below.

- Must have minimum of 6.4 cm between the wall and the center of the torsion bar.
- Must have minimum of 7.6 cm between the ceiling and the center of torsion bar.
- Must have minimum of 21.6 cm between the side wall (or obstruction) and the end of torsion bar.
- The torsion bar must extend at least 3.81 cm past the bearing. This may vary depending on your installation requirements.
- An electric outlet is required within 1.83 m of the installation area. If outlet does not exist, contact a qualified electrician.

## 4 Planning for MyQ Operation

This operator has the ability to be controlled by MyQ - photoeyes required to be installed. Monitor and control your garage door from anywhere using the MyQ app.

**BEFORE YOU BEGIN:**

You will need:

- Wi-Fi enabled smartphone, tablet or laptop
- Broadband Internet Connection
- Wi-Fi signal in the garage (2.4 Ghz, 802.11b/g/n required)
- Password for your home network (router's main account, not guest network)

**TEST THE WI-FI SIGNAL STRENGTH**

Make sure your mobile device is connected to your Wi-Fi network.

Hold your mobile device in the place where your garage door opener will be installed and check the Wi-Fi signal strength.

**Wi-Fi signal is strong.**

The garage door opener will connect to your Wi-Fi network.

**Wi-Fi signal is weak.**

The garage door opener may connect to your Wi-Fi network. If not, try one of the options below to improve the Wi-Fi signal:

**No Wi-Fi signal.**

The garage door opener will not be able to connect to your Wi-Fi network. Try one of the options below to improve the Wi-Fi signal:

- Move your router closer to the garage door opener to minimize interference from walls and other objects.
- Buy a Wi-Fi range extender.

---

## 5 Preparing Your Garage Door



**WARNING:** ALWAYS call a trained door systems technician if garage door binds, sticks, or is out of balance. An unbalanced garage door may NOT reverse when required. NEVER try to loosen, move or adjust garage door, door springs, cables, pulleys, brackets or their hardware, ALL of which are under EXTREME tension. Disable ALL locks and remove ALL ropes connected to garage door BEFORE installing and operating garage

door opener to avoid entanglement. This opener system is equipped with an unattended operation feature. The door could move unexpectedly. NO ONE SHOULD CROSS THE PATH OF THE MOVING DOOR.

### BEFORE YOU BEGIN:

- Disable locks.
- Remove any ropes connected to the garage door.

Complete the following test to make sure the garage door is balanced and is not sticking or binding:

- Lift the door halfway up. Release the door. If balanced, it should stay in place, supported entirely by its springs.
- Raise and lower the door to check for binding or sticking.
- Doors heavier than 130 kg should NOT open or fall rapidly.

If your door binds, sticks, or is out of balance, call a trained door systems technician.

---

## 6 Tools Needed

During assembly, installation and adjustment of the garage door opener, instructions will call for hand tools as illustrated below.

- |                 |                                       |
|-----------------|---------------------------------------|
| 1. Stepladder   | 7. Screwdriver                        |
| 2. Drill        | 8. Level                              |
| 3. Tape Measure | 9. Claw Hammer                        |
| 4. Wire Cutters | 10. Sockets and Wrench with Extension |
| 5. Pliers       | 11. Adjustable End Wrench             |
| 6. Drill Bits   | 12. Pencil                            |

---

## 7 Carton Inventory

If anything is missing, carefully check the packing material.

GARAGE DOOR OPENER		HARDWARE BAG	
1. Garage Door Opener, LM3800W	1x	11. Screw 15 mm	2x
2. Automatic Garage Door Lock, 841EU	1x	12. Screw 54.8 mm	4x
3. Mounting Bracket	1x	13. Handle	1x
4. Collar with Set Screws	1x	14. Rope	1x
5. Safety Labels	1x	15. Screw 15 mm	2x
6. 4-Button Remote Control, TX4EVF	2x	16. Drywall Anchor (Screw-In) 36.8 mm	4x
7. MyQ Remote LED Light, 827EV	1x	17. Screw 22 mm	2x
8. Manual			
REMOTE LED LIGHT HARDWARE			
9. Drywall Anchor (Screw-In) 42 mm	2x		
10. Screw 27.85 mm	2x		

---

## 8 Required Accessories

Cable Tension Monitor 041A92642.

Infrared Photocells (for TTC or MyQ Operation: - 771EV or- 772E or- 771EVK or- G770E).

## 9 Attach the Collar to the Garage Door Opener

To avoid installation difficulties, do not run the garage door opener until instructed to do so.

The garage door opener can be installed on either side of the door (see Planning section). The illustrations shown are for installation on the Illustrations Sheet.

1. Loosen the set screws.
2. Attach collar to the garage door opener motor shaft. The side of the collar with the larger hole should be placed on the motor shaft.
3. Ensure that the collar is seated all the way on motor shaft until stop is reached.
4. Position the collar so the screws are facing out and are accessible when attached to the torsion bar.
5. Securely tighten the 2 square head set screws closest to the motor shaft by turning the screws 1/4 - 1/2 turn after making contact with the motor shaft.

## 10 Attach Mounting Bracket to Garage Door Opener



1. Loosely attach slotted side of mounting bracket to the same side of the garage door opener as the collar, using screws provided.

*NOTE: Do not tighten screws until instructed.*

## 11 Position and Mount the Garage Door Opener



Concrete anchors **MUST** be used if mounting bracket into masonry. **NEVER** try to loosen, move or adjust garage door, springs, cables, pulleys, brackets or their hardware, **ALL** of which are under **EXTREME** tension. **ALWAYS** call a trained door systems technician / installer / specialist if garage door binds, sticks or is out of balance. An unbalanced garage door might **NOT** reverse when required. Garage door opener **MUST** be mounted at a right angle to the torsion bar to avoid premature wear on the collar. Consider on-site requirements.

*NOTE: For additional mounting options refer to the accessories page.*

1. Close the garage door completely.
2. Slide the garage door opener onto the end of the torsion bar. If the torsion bar is too long or damaged, you may need to cut the torsion bar. Ensure the collar does **NOT** touch the bearing.
3. Use a level to position and vertically align the garage door opener. Verify the mounting bracket is located on a solid surface such as wood, concrete or door/flag bracket. If installing on drywall, the mounting bracket **MUST** be attached to a stud.
4. When the garage door opener is properly aligned, mark the mounting bracket holes. If necessary, tighten collar screws on the torsion bar to hold garage door opener in place while marking holes. **NOTE: The garage door opener does not have to be flush to wall.**
5. Remove the garage door opener from torsion bar. Drill 5 mm pilot holes at the marked locations. Drill through metal door rail plates if necessary.
6. Slide the garage door opener back onto the torsion bar until pilot holes align with bracket.
7. Tighten the 2 square head set screws on the torsion bar. For a hollow torsion bar, tighten screws 3/4 - 1 full turn after making contact with the bar. For a solid shaft torsion bar, tighten screws 1/4 - no more than 1/2 turn after making contact with the shaft. If installing on a keyed torsion bar, **DO NOT** tighten the screws into the keyway.
8. Secure the mounting bracket to the wall and to the garage door opener. Use the screws (12) to secure the mounting bracket to the wall.

## 12 Attach the Emergency Release Rope and Handle



If possible, use emergency release handle to disengage door **ONLY** when garage door is **CLOSED**. Weak or broken springs or unbalanced door could result in an open door falling rapidly and/or unexpectedly. **NEVER** use emergency release handle unless garage doorway is clear of persons and obstructions.

1. Insert one end of the emergency release rope through the handle. Make sure that "NOTICE" is right side up. Secure with an overhand knot at least 2.5 cm from the end of the rope to prevent slipping.
2. Insert the other end of the emergency release rope through the hole in the trolley release arm. Mount the emergency release within reach, but at least 1.83 m above floor, avoiding contact with vehicles to prevent accidental release and secure with an overhand knot.

*NOTE: If it is necessary to cut the rope, heat seal the cut end with a match or lighter to prevent unraveling.*

---

## 13 Install the Automatic Door Lock

The automatic door lock (model 841EU) is used to prevent the door from being manually opened once the door is fully closed.

*NOTE: Older model 24 V door locks are incompatible.*

1. The lock must be mounted within 3.05 m of door opener. If possible, mount on same side as door opener.
2. Ensure rail surface is clean and attach the lock template to the track so that the bolt hole is approximately 7.6 cm from the center of a door roller.
3. Drill holes as marked on the template.
4. Fasten automatic door lock to the outside of the door track with hardware provided.
5. Run bell wire up wall to door opener. Use insulated staples (optional) to secure wire in several places. Insert wire through the bottom of the door opener.
6. Plug the connector into either plug in the door opener. A secondary door lock (841EU) can be installed on the opposite side of the door following the instructions above.

### TEST AUTOMATIC DOOR LOCK

1. With the door fully closed, the automatic door lock bolt (B) should be protruding through the track.
2. Operate the door in the open direction. The automatic door lock (A) should retract before the door begins to move.
3. Operate the door in the down direction. When the door reaches the fully closed position, the automatic door lock should move into lock position to secure the door.

*NOTE: If the automatic door lock does not function, the lock can be manually released by sliding the manual release handle (C) to the open position.*

---

## 14 Attach the Cable Tension Monitor (041A9264) (required accessory)

The cable tension monitor **MUST** be connected and properly installed before the garage door opener will move in the down direction. The cable tension monitor detects ANY slack that may occur in the cables and will reverse the door, eliminating service calls. Installation of the cable tension monitor is required according to EN12453.

*NOTE: The cable tension monitor is shipped for left side installation. For right side installation, remove the snap-ring holding the roller in place and reassemble it on the opposite side of the cable tension monitor.*

1. Make sure the door cable is approximately 19 mm from the mounting surface. Door adjustments or shimming may be required to achieve proper depth for the door cable.
2. Position the cable tension monitor so the roller is 5-15 cm from the drum and the roller extends 3-6 mm past the cable. Make sure cable tension monitor is located over a wood support member and the roller is free from any obstructions.

*NOTE: There must be no obstructions in the installation area that prevent the cable tension monitor from closing completely when slack is detected.*

3. Mark and drill 5 mm pilot holes for screws (pilot holes are not required for anchors).
4. Attach the cable tension monitor to the wall using the hardware provided. Make sure that the roller is on top of the cable.
5. Run bell wire to door opener. Use insulated staples to secure wire.
6. Connect bell wire to the green quick-connect terminals (10 + 11) on the door opener (polarity is not important).

*NOTE: Cable must have tension through entire door travel. Make sure there is no slack in cable on opposite side of door during normal operation. If slack occurs during door travel, adjust cables as required.*

When two cable tension monitors are installed, the door will not move in the down direction or will reverse if one of the monitors detects slack or is disconnected.

### TEST CABLE TENSION MONITOR

1. With the door fully closed, push on the front of the cable tension monitor. A click should be heard. If there is no click, the roller may be hitting the jamb and not allowing the switch to detect slack in the cable. Make sure the cable tension monitor is mounted flush with the wall and the roller is free from any obstructions.

The 1k resistor provided is for trouble shooting the CTM set up only. According to EN12453 the cable tension monitor must be installed for proper detection of cable slackness.

If your cable tension monitor has been activated the UP and DOWN arrows will flash diagnostic code 3-5.

---

## 15 Install MyQ Remote LED Light (designed for dry areas only)

The MyQ Remote LED Light is designed to plug directly into a standard 230V outlet. Select an appropriate location on the ceiling or wall to mount the light within 1.83 m of an electrical outlet so that the cord and light are away from moving parts. MyQ Remote LED Light installation is required to enable MyQ and Timer-to-Close (TTC) operation.

**NOTE:** *If installing light on drywall and a ceiling joist cannot be located, use drywall anchors provided. No pilot hole is required for drywall anchors.*

1. Drill pilot holes 15.6 cm apart if mounting to joist.

OR

Screw in drywall anchors 15.6 cm apart if mounting to drywall.

2. Determine the length of power cord needed to reach the nearest outlet. Wind any excess cord around cord retainer on the top side of the light base. Route the cord through the channel so the light mounts flush.
3. Open the light lens.
4. Mount the light with the screws provided (9+10).
5. Close the light lens.
6. Plug in the light to the outlet.

**NOTE:** *The LED light is very bright. DO NOT stare at the light while on a ladder.*

Your garage door opener remote light has already been programmed at the factory to operate with your opener.

Any additional or replacement remote lights will need to be programmed.

---

## 16 Electrical Connection



In order to avoid personal injury and damage to the device, the door opener should be operated only if such an instruction is explicitly stated in this manual. The power plug must always be accessible for the purpose of disconnecting the mains supply. Electrical installations may only be undertaken by an authorized electrician.

---

## 17 Installation of Photocells

### IMPORTANT INFORMATION ABOUT THE INFRARED PHOTOCELLS

The instructions for installation are included in the scope of delivery of the infrared photocells and must be followed. **The photocells ensure that the door is open, or remains open, if people, especially young children, are in the door area.** When properly connected and aligned, the infrared photocells sensor will detect an obstacle in the path of its electronic beam. The sending sensor transmits an invisible light beam to the receiving sensor. If an obstruction breaks the light beam while the door is closing, the door will stop and reverse to full open position, and the opener lights will flash 10 times.

For use of MyQ or TTC feature the sensors must be installed the garage so that the sending and receiving sensors face each other across the door, no more than 10 cm above the floor. Either can be installed on the left or right of the door as long as the sun never shines directly into the receiving sensor lens. The invisible light beam path must be unobstructed. No part of the garage door (door tracks, springs, hinges, rollers or other hardware) may interrupt the beam while the door is closing.

**NOTE:** *Liftmaster recommends to install Infrared photocells on each installation. For use of MyQ or TTC feature the installation of Infrared photocell are required.*

### WIRE THE INFRARED PHOTOCELLS

1. Run the wire from both sensors to the garage door opener. Attach the wire to the wall and ceiling with the staples.
2. Strip 11 mm of insulation from each set of wires. Separate the wires. Twist the white wires together. Twist the white/black wires together.
3. Insert the white wires into the white terminal on the garage door opener. Insert the white/black wires into the grey terminal on the garage door opener. To insert or remove the wires from the terminal, push in the tab with a screwdriver tip.

### ENSURE THE INFRARED PHOTOCELLS ARE ALIGNED

The door will not close if the sensors have not been installed and aligned correctly.

When the light beam is obstructed or misaligned while the door is closing, the door will reverse and the garage door opener lights will flash ten times. If the door is already open, it will not close. The sensors can be aligned by loosening the wing nuts, aligning the sensors, and tightening the wing nuts.

1. Check to make sure the LEDs in both sensors are glowing steadily. The LEDs in both sensors will glow steadily if they are aligned and wired correctly

### TEST THE INFRARED PHOTOCCELL

1. Open the door. Place an obstruction in the path of the door.
2. Press the remote control push button to close the door. The door will not move more than 2.5 cm, and the garage door opener lights will flash 10 times.

The garage door opener will not close from a remote control if the LED in either infrared photocell is off (alerting you to the fact that the sensor is misaligned or obstructed). **If the garage door opener closes the door when the infrared photocell are obstructed (and the sensors are no more than 10 cm above the floor), call for a trained door systems technician.**



---

## 18 Connect Power

To avoid installation difficulties, do not run the garage door opener at this time.

To reduce the risk of electric shock, your garage door opener has a grounding type plug. This plug will only fit into a grounding type outlet. If the plug doesn't fit into the outlet you have, contact a qualified electrician to install the proper outlet.

There is only one option for connecting power:

### TYPICAL WIRING

Plug in the garage door opener into a grounded outlet.

---

## 19 Install the Battery Backup (Optional accessory)



To reduce the risk of FIRE or INJURY to persons. Disconnect ALL electric and battery power BEFORE performing ANY service or maintenance. Use ONLY LiftMaster part 485EU for replacement battery. DO NOT dispose of battery in fire. Battery may explode. Check with local codes for disposal instructions.

When in Battery Backup mode, MyQ Smartphone Control and wireless MyQ devices will be disabled. In battery backup mode, the automatic garage door lock will unlock when the garage door is opened, and will remain disabled until power is restored.

1. Unplug the garage door opener.
2. Use screwdriver to remove the battery cover on the garage door opener.
3. Partially insert the battery into the battery compartment with the terminals facing out.
4. Connect red (+) and black (-) wires from the garage door opener to the corresponding terminals on the battery.
5. Replace the battery cover.
6. Plug in the garage door opener.

### BATTERY STATUS LED (B)

#### GREEN LED:

All systems are normal.

- A solid green LED light indicates the battery is fully charged.
- A flashing green LED indicates the battery is being charged.

#### ORANGE LED:

The garage door opener has lost power and is in battery backup mode.

- A solid orange LED with beep, sounding approximately every 2 seconds, indicates the garage door opener is operating on battery power.
- A flashing orange LED with beep, sounding every 30 seconds, indicates the battery is low.

#### RED LED:

The garage door opener's 12V battery needs to be replaced.

- A solid red LED with beep, sounding every 30 seconds, indicates the 12V battery will no longer hold a charge and needs to be replaced. Replace the battery back up to maintain the battery backup feature.

*NOTE: Battery does not have to be fully charged to operate the garage door opener.*

---

## 20 Program the Travel



Incorrect adjustment of garage door travel limits will interfere with proper operation of safety reversal system. After ANY adjustments are made, the safety reversal system **MUST** be tested. Door **MUST** reverse on contact with 40 mm object on floor. To prevent damage to vehicles, be sure fully open door provides adequate clearance.

Travel limits regulate the points at which the door will stop when moving up or down. Unplug the garage door opener. While programming, the UP and DOWN buttons can be used to move the door as needed.

1. Press and hold the Adjustment Button (**A**) until the UP Button (**U**) begins to flash and/or a beep is heard.
2. Press and hold the UP Button (**U**) until the door is in the desired UP position.
3. Once the door is in the desired UP position press and release the Adjustment Button (**A**). The garage door opener lights will flash twice and the DOWN Button (**D**) will begin to flash.
4. Press and hold the DOWN Button (**D**) until the door is in the desired DOWN position.
5. Once the door is in the desired DOWN position press and release the Adjustment Button (**A**). The garage door opener lights will flash twice and the UP Button (**U**) will begin to flash.
6. Press and release the UP Button (**U**). When the door travels to the programmed UP position, the DOWN Button (**D**) will begin to flash.
7. Press and release the DOWN Button (**D**). The door will travel to the programmed DOWN position. Programming is complete.

If the garage door opener lights are flashing 5 times during the steps for Program the Travel, the programming has timed out. If the cable tension monitor is not installed or is sensing too much slack in the cable, the garage door opener light will flash 5 times. Ensure the cable tension monitor is correctly installed then follow the steps for Program the Travel. If the garage door opener lights are flashing 10 times during the steps for Program the Travel, the infrared photocells are misaligned or obstructed. When the sensors are aligned and unobstructed, cycle the door through a complete up and down cycle using the remote control or the UP and DOWN buttons. Programming is complete. If you are unable to operate the door up and down, repeat the steps for Programming the Travel.

---

## 21 Test the Safety Reversal System



Without a properly installed safety reversal system, persons (particularly small children) could be **SERIOUSLY INJURED** or **KILLED** by a closing garage door. Safety reversal system **MUST** be tested every month. After ANY adjustments are made, the safety reversal system **MUST** be tested. Door **MUST** reverse on contact with 40 mm high object on the floor.

### TEST

1. With the door fully open, place a 40 mm board on the floor, centered under the garage door.
2. Press the remote control push button to close the door. The door **MUST** reverse when it makes contact with the board.

### ADJUST

If the door stops but does not reverse:

1. Review the installation instructions provided to ensure all steps were followed;
2. Repeat Program the Travel (see Adjustment Step 1 "Point 20");
3. Repeat the Safety Reversal test.

If the test continues to fail, call a trained door systems technician.

### IMPORTANT SAFETY CHECK:

Test the Safety Reverse System after:

- Each adjustment of limits.
- Any repair to or adjustment of the door (including springs and hardware).
- Any repair to or buckling of the floor.
- Any repair to or adjustment of the garage door opener.

---

## 22 To Open the Door Manually



If possible, use emergency release handle to disengage door **ONLY** when garage door is **CLOSED**. Weak or broken springs or unbalanced door could result in an open door falling rapidly and/or unexpectedly. **NEVER** use emergency release handle unless garage doorway is clear of persons and obstructions.

Disengage any door locks before proceeding. The door should be fully closed if possible. Pull down on the emergency release handle until a click noise is heard from the door opener and lift the door manually. To reconnect the door to the door opener, pull the emergency release handle straight down a second time until a click noise is heard from the door opener. The door will reconnect on the next UP or DOWN operation.

### TEST THE EMERGENCY RELEASE

1. Make sure the door is closed.
2. Pull the emergency release handle. The door should then be able to be opened manually.
3. Return the door to the closed position.
4. Pull the emergency handle a second time.
5. Reconnect the door to the door opener.

---

## 23 Using Your Garage Door Opener

### FEATURES

Your garage door opener is equipped with features to provide you with greater control over your garage door operation.

### ALERT-TO-CLOSE

The Alert-to-Close feature provides a visual alert that an unattended door is closing.

### TIMER-TO-CLOSE (TTC)

The TTC feature automatically closes the door after a specified time period that can be adjusted using a TTC enabled door control (Photocells Models 771EV / 772E / 771EVK / G770E is required). Prior to and during the door closing the garage door opener lights will flash.

#### TTC Activation:

1. Press and release the yellow Learn button (L) 4 times.
2. Yellow learn LED shall turn ON
3. Cycle through OFF /1/5/10 minutes increments using the UP (U) and DOWN (D) arrows. Yellow learn LED shall blink upon selection. For example, if you select 5 minutes, yellow learn LED shall blink 5 times as a confirmation feedback.
4. Press rectangular adjustment button (A) to save the setting and exit the TTC programming mode. When activation has completed the MyQ Remote LED Light will flash ONE time as a confirmation. When programming TTC feature you need to press the next button within 30 seconds, otherwise TTC activation will exit. If programming timer expires, TTC will retain to previous settings and the MyQ Remote LED Light will flash FIVE times.

To Exit uncompleted TTC programming mode, please press and release the learn button (L) one more time.

#### TTC Timing Change:

1. Press learn button (L) 4 times again.
2. Cycle through OFF /1/5/10 minutes increments using the UP (U) and DOWN (D) arrows. Yellow learn LED shall blink upon selection.
3. Press rectangular adjustment button (A) to save the setting and exit the TTC programming mode.  
When activation has completed the MyQ Remote LED Light will flash ONE time as a confirmation.

#### TTC Deactivation:

1. Press yellow Learn button (L) 4 times.
2. Press adjustment button one time to save the setting.
3. When deactivation has been completed the MyQ Remote LED Light shall flash ONCE as a confirmation.  
If the TTC is active, the timer is counting down, and the IR beams are interrupted, the TTC timer shall be restarted.

## MyQ

MyQ allows you to control your garage door opener from your mobile device or computer from anywhere. MyQ technology uses a radio signal to provide two way communication between the garage door opener and MyQ enabled accessories. The garage door opener has an internal gateway that allows the garage door opener to communicate directly with a home Wi-Fi® network and access your MyQ account.

## INFRARED PHOTOCELLS

When properly connected and aligned, the infrared photocells will detect an obstruction in the path of the infrared beam. If an obstruction breaks the infrared beam while the door is closing, the door will stop and reverse to full open position, and the opener lights will flash 10 times. If the door is fully open with infrared photocells installed, and are misaligned, the door will not close from a remote control. However, you can close the door if you hold the button on the door control or keyless entry until the door is fully closed. The infrared photocells do not affect the opening cycle.

## ENERGY CONSERVATION

For energy efficiency the garage door opener will enter sleep mode when the door is fully closed. The sleep mode shuts the garage door opener down until activated. The sleep mode is sequenced with the garage door opener light; as the light turns off the sensor LEDs will turn off and whenever the garage door opener lights turn on the sensor LEDs will light. The garage door opener will not go into the sleep mode until the garage door opener has completed 5 cycles upon power up.

## LIGHTS

The garage door opener light will turn on when the opener is initially plugged in; power is restored after interruption, or when the garage door opener is activated. The light will turn off automatically after 4-1/2 minutes.

## LIGHT FEATURE

The garage door opener is equipped with an added feature; the lights will turn on when someone enters through the open garage door and the infrared beam is broken. Infrared photocells 771EV / 772E / 771EVK / G770E need to be installed to enable this feature.

## BATTERY BACKUP (OPTIONAL)

The battery backup system allows access in and out of your garage, even when the power is out. When the garage door opener is operating on battery power, the garage door opener will run slower, the light will not function, the Battery Status LED will glow solid orange, and a beep will sound approximately every 2 seconds.

## USING YOUR GARAGE DOOR OPENER

The garage door opener can be activated through a wall-mounted door control, remote control, wireless keyless entry or MyQ accessory. When operating the door opener by radio control or wall switch:

- closes the door when it is fully open
- opens the door when it is fully closed
- stops the door if it is opening or closing
- the door moves in the opposite direction to the last completed move,

if it is partially open if the door senses an obstruction or is interrupted while opening the door will stop. If the garage door opener senses an obstruction while closing, the door will reverse. If the obstruction interrupts the sensor beam the garage door opener lights will blink 10 times. However, you can close the door if you hold the button on the door control or keyless entry until the door is fully closed. The infrared photocells do not affect the opening cycle.

## CYCLE COUNTER.ACTIVATION AND READING PROCEDURE:

1. Disconnect power from RJO to enter into this mode.
2. Press the Adjustment (A) and Learn buttons (L) and hold together upon restoring power.
3. Operator "UP" arrow button (U) LED will flash ONE time for each thousand FULL cycles completed as long as the Adjustment (A) and Learn buttons (L) are pressed and held.

For example, if the RJO has made 8756 cycles, UP LED shall blink 8 times.

To repeat the read out, disconnect RJO from power and start again.

**Light transmitter (with 78EV):** Enables learning a transmitter to the MyQ Remote via Multifunction wall control.

To programm transmitter to MyQ Remote LED Light:

1. Press and hold the LIGHT & LOCK button together.
2. While holding above both buttons, press & hold one of the button on transmitter until RJO WorkLight flashes once.
3. After the opener WorkLight flashes once, release all buttons.

**Vacation Mode** (requires 78EV wall control). Portable remote controls do not function if this feature is activated. See instructions of 78EV.

**Keyless entry** (requires 747EV wireless keypad): Enter a 4 digit code of your choice to operate the door.

**Temporary access** (requires 747EV wireless keypad): A temporary code can be programmed to allow limited access to the garage (by time or number of openings).

**One button close feature** (requires 747EV wireless keypad): Without having the access code the door can be closed from any position (not opened).

## 24 Connect With Your Smartphone

The Wi-Fi® Garage Door Opener is compatible with up to 16 MyQ enabled accessories. Up to 10 devices can be paired to the Wi-Fi garage door opener's internal gateway. These devices can be controlled with the MyQ app. These devices include any combination of MyQ garage door openers, Wi-Fi garage door openers, MyQ light, MyQ gate operators. A LiftMaster Internet Gateway (828EV) can be added if you need to control more than 10 devices using the MyQ app. Up to 6 devices can be paired to garage door opener itself (controlled by garage door opener). These devices include any combination of MyQ light or a garage door and gate monitor.

### You will need:

- Wi-Fi enabled smartphone, tablet or laptop
- Broadband Internet Connection
- Wi-Fi signal in the garage (2.4 Ghz, 802.11b/g/n required)
- Password for your home network (router's main account, not guest network)
- MyQ serial number located on the garage door opener
- Infrared photocells (optional)
- MyQ Remote LED Light (in delivery scope)

### SYNCHRONIZE THE DOOR CONTROL

To synchronize the door control 78EV to the garage door opener, press the push bar until the garage door opener activates (it may take up to 3 presses). The garage door opener must run through a complete cycle before it will activate Wi-Fi programming.

### CONNECT YOUR GARAGE DOOR OPENER TO YOUR HOME WI-FI NETWORK

1. Press and release the yellow LEARN button (L) on the garage door opener 3 times. The garage door opener will beep once. You have 20 minutes to complete the connection process.
2. On your mobile device, go to Settings > Wi-Fi and select the network with the "MyQ-" prefix.
3. Launch the web browser on your smartphone or tablet. Enter [setup.myqdevice.com](http://setup.myqdevice.com) into the browser address bar. Follow the on screen prompts to connect the garage door opener to your Wi-Fi network. The MyQ serial number will display on screen. Write the serial number in the space below.

4. Download the MyQ app from the App Store® or Google Play™ store. Sign up for your MyQ account and add the MyQ serial number to your account.

To add a second Wi-Fi garage door opener, repeat steps 1-3. Add the second MyQ serial number to your account in the MyQ app.

*NOTES: The MyQ Smartphone Control WILL NOT work if the garage door opener is operating on battery power. To erase the Wi-Fi settings, see page 15.*

An LED (A) on the garage door opener will indicate Wi-Fi status. See table below

LED	DEFINITION
BLUE	Off - Wi-Fi is not turned on. Blinking - Garage door opener is in Wi-Fi learn mode. Solid - Mobile device connected to the garage door opener.
BLUE AND GREEN	Blinking - Attempting to connect to router.
GREEN	Blinking - Attempting to connect to the Internet server. Solid - Wi-Fi has been set up and garage door opener is connected to the Internet.

---

## **25** Program Your Opener And Remote / The Wireless Push Button/ / Wireless Keypad (Optional)

Activate the opener only when door is in full view, free of obstruction and properly adjusted. No one should enter or leave garage while door is in motion. Do not allow children to operate push button(s) or remote(s). Do not allow children to play near the door. Your garage door opener receiver and one of the buttons remote control are pre-programmed. If you purchase additional remote controls, the garage door opener must be programmed to accept the new remote code.

### **PROGRAM THE RECEIVER TO MATCH ADDITIONAL REMOTE CONTROLS: USING THE YELLOW ROUND BUTTON**

1. Press and release the yellow round button (L) on the opener. The learn indicator light will glow steadily for 30 seconds.
2. Within 30 seconds, press and hold the button on the hand-held remote that you wish to operate your garage door.
3. Release the button when the opener light blinks once. It has learned the code. Now the opener will operate when the remote control push button is pressed. If you release the remote control push button before the opener light flashes, the opener has not learned the code.

### **KEYLESS ENTRY**

1. Press and release the yellow round button (L) on the opener. The learn indicator light will glow steadily for 30 seconds.
2. Enter a 4-digit personal identification number (PIN) of your choice on the keyless entry keypad.
3. Then press the ENTER button.
4. The garage door opener lights will flash (or two clicks will be heard) when the code has been programmed. Repeat the steps above for programming additional remote controls or keyless entry devices. If programming is unsuccessful, program the remote using the learn button.

### **TO ERASE ALL REMOTE CONTROL CODES**

To deactivate any unwanted remote, first erase all codes: Press and hold the yellow round button on opener until the learn indicator light goes out (approximately 10 seconds). All previous codes are now erased. Reprogram each remote or keyless entry you wish to use.

---

## **26** Program the MyQ Remote LED Light

Your garage door opener remote light has already been programmed at the factory to operate with your opener. Any additional or replacement remote lights will need to be programmed.

### **PROGRAM A DOOR OPENER TO THE MYQ REMOTE LED LIGHT:**

1. Press the LEARN button (L) on the light until the green LED comes ON.
2. Press the LEARN button (L) on the door opener.
3. The code has been programmed when the remote light blinks once.

### **PROGRAM A REMOTE CONTROL TO THE MYQ REMOTE LED LIGHT**

1. Press the LEARN button (L) on the light until the green LED comes ON.
2. Press the button on the remote control that you wish to operate the light.
3. The code has been programmed when the remote light blinks once.

To program the light with other accessories, refer to the manual for your accessory.

### **ADD THE MYQ REMOTE LED LIGHT TO MYQ ACCOUNT**

1. Press the LEARN button (L) on the light until the green LED comes ON.
2. Login to the MyQ app and add the MyQ Remote LED Light.

### **TO ERASE ALL PROGRAMMING FROM THE MYQ REMOTE LED LIGHT**

1. Press and hold the LEARN button (L) until the LED turns off (6-10 seconds). All programming is now erased.

---

## 27 To Erase the Memory

### ERASE ALL REMOTE CONTROLS AND KEYLESS ENTRIES

1. Press and hold the LEARN button (L) on garage door opener until the learn LED goes out (approximately 6 seconds). All remote control and keyless entry codes are now erased. Reprogram any accessory you wish to use.

### ERASE ALL DEVICES (INCLUDING MYQ ENABLED ACCESSORIES)

2. Press and hold the LEARN button (L) on garage door opener until the learn LED goes out (approximately 6 seconds).
3. Immediately press and hold the LEARN button again until the learn LED goes out. All codes are now erased. Reprogram any accessory you wish to use.

### ERASE THE WI-FI NETWORK FROM THE GARAGE DOOR OPENER

1. Press and hold the black adjustment button (A) on the garage door opener until 3 beeps are heard (Approximately 6 seconds).

### ERASE A MYQ ACCOUNT

Go to [myliftmaster.eu](http://myliftmaster.eu) to delete your MyQ account.

---

## 28 Maintenance Care of Your Garage Door Opener

### MAINTENANCE SCHEDULE

#### EVERY MONTH

- Manually operate door. If it is unbalanced or binding, call a trained door systems technician.
- Check to be sure door opens and closes fully. Adjust limits if necessary (see Point 20 "Program the Travel").
- Repeat the safety reversal test. Make any necessary adjustments (see Point 21 "Test the Safety Reversal System").

#### EVERY YEAR

- Oil door rollers, bearings and hinges. The garage door opener does not require additional lubrication. Do not grease the door tracks.

#### MYQ REMOTE LED LIGHT

- Unplug the light before cleaning.
- Use a lightly dampened cloth for cleaning.
- DO NOT use liquid cleaners on the light lens

---

## 29 Replace Batteries of The Remote Control

### Battery of the remote control:

The batteries in the remote have an extremely long life. If the transmission range decreases, the batteries must be replaced. Batteries are not covered by the guarantee.

### Please observe the following instructions for battery:

Batteries should not be treated as household waste. All consumers are required by law to dispose of batteries properly at the designated collection points. Never recharge batteries that are not meant to be recharged.

### Danger of explosion!

Keep batteries away from children, do not short-circuit them or take them apart. See a doctor immediately, if a battery is swallowed. If necessary, clean contacts on battery and devices before loading. Remove exhausted batteries from the device immediately!

### Increased risk of leakage!

Never expose batteries to excessive heat such as sunshine, fire or the like!

There is increased risk of leakage!

Avoid contact with skin, eyes and mucous membranes. Rinse the parts affected by battery acid with plenty of cold water and consult a doctor immediately. Use only batteries of the same type. Remove the batteries if the device is not being used for a long time.

### Replacing battery:


To replace battery, turn remote control around and open the case with a screwdriver. Lift cover and lift control board below. Slide battery to one side and remove. Watch polarity of battery! Assemble again from in reverse direction.

### ATTENTION!

Danger of explosion if battery is replaced improperly. Replacement only by identical or equivalent type (CR2032) 3V.

## 30 Disposal

The packaging must be disposed of in the local recyclable containers. According to the European Directive 2002/96/EC on waste electrical equipment, this device must be properly disposed of, after usage in order to ensure a recycling of the materials used.

 Old accumulators and batteries may not be disposed of in the household waste, since they contain pollutants and must be properly disposed of in municipal collection points or in the containers of the dealer provided. Country-specific regulations must be observed. The components must be properly disposed of at a public company specializing in waste disposal. The relevant local and country-specific regulations must be adhered to. All decommissioned drive components may not be disposed of in the household waste.

The competent authority (city, town) or its disposal company will inform you about the possibilities of this disposal.

## 31 Diagnostic Chart

Your garage door opener is programmed with self-diagnostic capabilities.  
The UP and DOWN arrows on the garage door opener flash the diagnostic codes.

DIAGNOSTIC CODE		SYMPTOM	SOLUTION
Up Arrow Flash(es)	Down Arrow Flash(es)		
1	1	The garage door opener will not close and the light flashes.	If Infrared photocells are installed, then not connected or wires may be cut. Inspect sensor wires for a disconnected or cut wire.
1	2	The garage door opener will not close and the light flashes.	There is a short or reversed wire for the infrared photocells. Inspect photocells wire at all staple points and connection points and replace wire or correct as needed.
1	3	The door control will not function.	The wires for the door control are shorted or the door control is faulty. Inspect door control wires at all staple points and connection points and replace wire or correct as needed.
1	4	The garage door opener will not close and the light flashes.	If Infrared photocells are installed, then misaligned or were momentarily obstructed. Realign both sensors to ensure both LEDs are steady and not flickering. Make sure nothing is hanging or mounted on the door that would interrupt the sensors path while closing.
1	5	Door moves 15-20 cm stops or reverses.	Manually open and close the door. Check for binding or obstructions, such as a broken spring or door lock, correct as needed. Check wiring connections at travel module and at the logic board. Replace travel module if necessary.
1	5	No movement, only a single click.	Manually open and close the door. Check for binding or obstructions, such as a broken spring or door lock, correct as needed. Replace logic board if necessary.
1	5	Opener hums for 1-2 seconds no movement	Manually open and close the door. Check for binding or obstructions, such as a broken spring or door lock, correct as needed. Replace motor if necessary.
1	6	Door coast after it has come to a complete stop.	Program travel to coasting position or have door balanced by a trained technician.
2	1-5	No movement or sound.	Replace logic board.
3	1	The garage door opener moves slightly, then stops.	Activate the garage door opener again. If problem persists, replace logic board.
3	3	The battery status LED is constantly flashing green.	Battery backup charging circuit error, replace logic board.
3	5	The garage door opener will not close or door reverses during travel.	If two cable tension monitors were previously installed and one has been removed, unplug and plug in the opener three times to relearn the monitor to the opener. <ul style="list-style-type: none"><li>• Check for possible door obstructions and remove.</li><li>• Check that the cable tension monitor is properly connected to the opener.</li><li>• Replace the cable tension monitor.</li></ul>



DIAGNOSTIC CODE		SYMPTOM	SOLUTION
Up Arrow Flash(es)	Down Arrow Flash(es)		
4	1-4	Door is moving stops and or reverses.	Manually open and close the door. Check for binding or obstructions, such as a broken spring or door lock, correct as needed. If the door is binding or sticking contact a trained door systems technician. If door is not binding or sticking attempt to reprogram travel.
4	5	Opener runs approximately 15-20 cm, stops and reverses.	Communication error to travel module. Check travel module connections, replace module if necessary.
4	6	The garage door opener will not close and the light flashes.	Infrared photocells are misaligned or were momentarily obstructed. Realign both sensors to ensure both LEDs are steady and not flickering. Make sure nothing is hanging or mounted on the door that would interrupt the sensor's path while closing.
5	5	The door will not close when using Timer-to-Close or MyQ Smartphone Control.	MyQ Remote LED Light must be installed to use TTC or MyQ to control the door. Plug in the MyQ Remote LED Light and make sure it is programmed to the garage door opener.

## 32 Troubleshooting

The garage door opener doesn't operate from either the door control or the remote control:

- Does the garage door opener have electric power? Plug a lamp into the outlet. If it doesn't light, check the fuse box or the circuit breaker. (Some outlets are controlled by a wall switch.)
- Have you disabled all door locks? Review installation instruction warnings on page 5.
- Are the wiring connections correct?
- Is there a build-up of ice or snow under the door? The door may be frozen to the ground. Remove any restriction.
- The garage door spring may be broken. Have it replaced (see point 3 Planing).

The door opener operates from the single button control station, but not from a remote control:

- Reprogram the remote control and replace the battery if necessary. Repeat with all remote controls.

The door opens and closes by itself:

- Be sure that all remote control push buttons are off.
- Remove the bell wire from the single button control station terminals and operate from the remote only. If this solves the problem, the single button control station is faulty, or there is an intermittent short in the wire. Replace the control station.
- Erase the memory and reprogram all remote controls (refer to the instructions provided with the remote control or visit LiftMaster.eu).

My remote control will not activate the garage door:

- Verify the lock feature is not activated on the door control.
- Reprogram the remote control.
- If the remote control will still not activate the door check the diagnostic codes to ensure the garage door opener is working properly.

The remote control has short range:

- Change the location of the remote control in your car.
- Some installations may have shorter range due to a metal door, foil backed insulation, or metal garage siding.

The door doesn't open completely:

- Check power door lock.
- Is something obstructing the door? Is it out of balance, or are the springs broken? Remove the obstruction or repair the door.

The door opens but won't close:

- Check that cable tension monitor is correctly installed. If a second cable tension monitor has been removed, follow the instructions to relearn a single cable tension monitor (see Point 14).
- The infrared photocells must be connected and aligned correctly before the door opener will move in the down direction. If you are able to close the door using constant pressure, verify the infrared photocells are properly installed, aligned and free of any obstructions.
- If the garage door opener lights blink, check the infrared photocells.
- If the garage door opener lights don't blink and it is a new installation (see Point 14). For an existing installation, see below.

Repeat the safety reverse test after the adjustment is complete.

**The door reverses for no apparent reason and garage door opener lights don't blink:**

- Check that cable tension monitor is correctly installed. If one of the cable tension monitors is removed, unplug both monitors from the opener. Then plug in the monitor you wish to use and unplug and plug in the opener three times to relearn the monitor to the opener. The 1k resistor provided is for trouble shooting the CTM set up only. According to EN12453 the cable tension monitor must be installed for proper detection of cable slackness.
- Is something obstructing the door? Pull the emergency release handle. Operate the door manually. If it is unbalanced or binding, call a trained door systems technician.
- Clear any ice or snow from the garage floor area where the door closes.
- Review Point 20.

Repeat safety reverse test after adjustments.

**My door will not close and the light blinks:**

The infrared photocells must be connected and aligned correctly before the garage door opener will move in the down direction.

- Verify the infrared photocells are properly installed, aligned and free of any obstructions.

**The garage door opener strains to operate door:**

- The door may be out of balance or the springs may be broken. Close the door and use the emergency release handle to disconnect the door. Open and close the door manually. A properly balanced door will stay in any point of travel while being supported entirely by its springs. If it does not, disconnect the garage door opener and call a trained door systems technician.

**The garage door opener motor hums briefly, then won't work:**

- The garage door springs may be broken. See above.
- If the problem occurs on the first operation of the garage door opener, door may be locked. Disable the power door lock.

**The garage door opener won't operate due to power failure:**

- Manually open the power door lock.
- Use the emergency release handle to disconnect the door. The door can be opened and closed manually. When power is restored, pull manual release a second time.
- Disable any door locks. Use the emergency release handle to disconnect the door. The door can be opened and closed manually.

**Door loses limits:**

- Collar not tightened securely. Tighten collar and reprogram limits (see Point 20).

**The garage door opener moves when the door is in operation:**

- Some minor movement is normal for this product. If it is excessive the collar will wear prematurely.
- Check to make sure the torsion bar is not moving left/right excessively.
- Check to make sure the torsion bar is not visibly moving up and down as it rotates.
- Check that the opener is mounted at a right angle to the jackshaft. If not, move the position of the mounting bracket.

**Automatic door lock connector will not fit the door opener plug:**

- Older model 24V door locks are incompatible. Use automatic door lock model 841EU, see Accessories page

**Automatic garage door lock does not activate when garage door opens or closes:**

- In battery backup mode, the automatic garage door lock will unlock when the garage door is opened, and will remain disabled until power is restored.

**The door opener is beeping:**

- Indicates unattended closure. The opener has been activated by the MyQ App or the Garage and Gate Monitor.
- A solid orange LED with beep, sounding approximately every 2 seconds, indicates the door opener is operating on battery power.
- A flashing orange LED with beep, sounding every 30 seconds, indicates the battery is low.
- A solid red LED with beep, sounding every 30 seconds, indicates the 12V battery will no longer hold a charge and needs to be replaced.

**The garage door is beeping and the red LED is flashing:**

The battery charge is low or the battery is dead.

- Replace the battery.

**MyQ Smartphone Control, wireless MyQ devices, and Timer-To-Close will not work:**

- When in Battery Backup mode, MyQ Smartphone Control, wireless MyQ devices and Timer-To-Close will be disabled.
- MyQ Remote LED Light and infrared photocells must be installed to enable use of Timer-to-Close or MyQ Smartphone Control of the door. Plug in the MyQ Remote LED Light and make sure it is programmed to the garage door opener. It may take up to 5 minutes to enable Timer-to-Close and MyQ Smartphone Control.

### 33 Optional Accessories

Always use LiftMaster accessories.

External products can cause malfunctions.

1.	TX4UNIF	4-channel universal remote control
2.	TX4EVS	4-channel remote control
3.	TX4UNI/S	4-channel universal remote control
4.	128EV	Wireless Wall Control 2-Channel
5.	747EV	Keypad
6.	78EV	Wired multi-functional wall control
7.	FLA-1LED	Flashing light
8.	772E	Photocells
9.	100034	Key switch (flush mount)
10.	100041	Key switch (surface mount)
11.	829EV	Garage Door Monitor
12.	485EU	Battery Backup
13.	827EV	MyQ Remote LED Light:
14.	041A9264	Cable Tension Monitor
15.	841EU	Automatic Door Lock

### 34 Technical Data

Input Voltage	230-240 VAC, 50 Hz
Max. Torque	36 Nm - AC + Battery 29 Nm - AC only
Nominal Torque	10 Nm
Power	150 W
Standby Power	2.6 W
Motor Type	DC gearmotor permanent lubrication
Noise level	57dB
Travel Rate	21 rpm (down), 36 rpm (up)
Safety Personal	Push button and automatic stop in down direction. Push button and automatic stop in up direction.
Electronic	Automatic force learning.
Electrical	Transformer overload protector and low voltage push button wiring.
Limit Device	Optical RPM / Position detector.
Limit Adjustment	Electronic limit adjustment.
Start Circuit	Low voltage push button circuit.
Max. door height	3 m
Max. door width	5.5 m
Max. door area	16.5 m <sup>2</sup>
Max. door weight	130 kg
Hanging Weight	11 kg
Receiver Memory Registers	64
Operating Frequency	433 / 868 MHz, 2.4 GHz

## 35 Automatic Garage Door Opener Safety & Maintenance Guide

### GARAGE DOOR OPENER SAFETY – AN AUTOMATIC DECISION

A garage door is the largest moving object in the home. An improperly adjusted garage door and opener can exert deadly force when the door closes – which could lead to entrapment of children or adults and subsequent injury or death.

Proper installation, operation, maintenance, and testing of the garage door and automatic opener are necessary to provide a safe, trouble-free system. Careless operation or allowing children to play with or use garage door opener controls are also dangerous situations that can lead to tragic results. A few simple precautions can protect your family and friends from potential harm. Please review the safety and maintenance tips in this brochure carefully and keep it for reference. Check the operation of your garage door and opener to ensure they function in a safe and trouble-free manner. Be sure to read all Important Safety Information found in your garage door opener's manual as it provides more details and safety considerations than can be supplied with this brochure.

### Garage Door Openers are Not Toys

Discuss garage door and opener safety with your children. Explain the danger of being trapped under the door.



**Stay away from a moving door.**



**Keep transmitters and remote controls out of reach of children.** Do not let children play with or use transmitters or other remote control devices.



**The wall-mounted push button should be out of reach of children,** at least 1.5 m from the nearest standing surface and away from all moving parts. Mount and use the button where you can clearly see the closing garage door.



**Keep the door in sight until it completely closes** when using the wall-mounted push button or transmitter.

## 36 Routine Maintenance Can Prevent Tragedies

Make monthly inspection and testing of your garage door and opener system a part of your regular routine. Review your owner's manual for both the door and door opener. If you don't have the owner's manuals, contact the manufacturer(s) and request a copy for your specific model(s). Look for the opener model number on the back of the power unit.



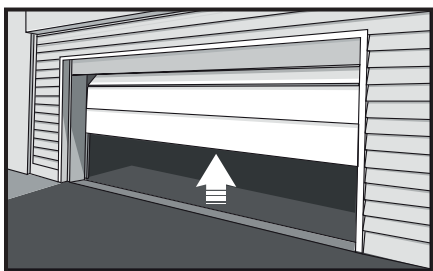
**WARNING – Springs are under high tension.  
Only qualified individuals should adjust them.**

### Visually check the door and installation:



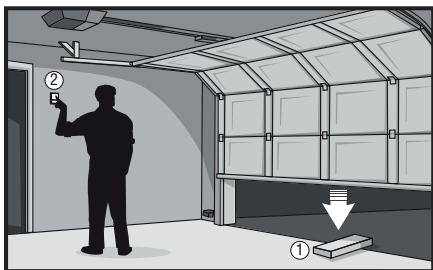
- Starting with the door in the closed position, use the manual disconnect on the opener to disconnect the door.
- Look for signs of wear or damage on hinges, rollers, springs, and door panels.
- These parts may require periodic lubrication. Check the owner's manual for suggested maintenance.
- If any signs of damage are evident, contact a trained door systems technician for assistance.
- Verify the photoeye height is no higher than 6" from the garage floor.

### Test the door for proper operation:



- Open and close the door manually using handles or suitable gripping points.
- The door should move freely and without difficulty.
- The door should balance and stay partially open 3–4 feet above the floor.
- If you detect any signs of improper operation, contact a trained door systems technician for assistance.

### Test the opener safety features:



- Reconnect the opener to the door using the manual disconnect and open the door.
- Place a 40 mm high board flat in the path of the door (1) and try to close it (2). The door should stop when it comes in contact with the board and then reverse direction.
- Block the photocell sensor by waving an object in front of the sensor and attempt to close the door. The door should not close unless the wall-mounted push button is manually held during operation.
- If the opener does not perform as described, contact a trained door systems technician for assistance.

**Hinweis:**

Die Originalinstallations- und Betriebsanweisungen wurden auf Englisch verfasst.

Bei allen anderen verfügbaren Sprachen handelt es sich um Übersetzungen der englischen Originalfassung.

<b>1</b>	Allgemeine Sicherheitsrichtlinien.....	2
<b>2</b>	Bestimmungsgemäßer Gebrauch.....	3
<b>3</b>	Planung des Torbetriebs.....	3
<b>4</b>	Planung für MyQ-Betrieb.....	4
<b>5</b>	Vorbereitung des Garagentors.....	4
<b>6</b>	Benötigtes Werkzeug.....	5
<b>7</b>	Lieferumfang.....	5
<b>8</b>	Benötigtes Zubehör.....	5
<b>9</b>	Befestigung der Kupplung am Garagentorantrieb.....	6
<b>10</b>	Befestigung der Montagehalterung am Garagentorantrieb.....	6
<b>11</b>	Positionierung und Montage des Garagentorantriebs.....	6
<b>12</b>	Befestigung der Notentriegelung und -Griff.....	6
<b>13</b>	Installation des automatischen Torschlusses.....	7
<b>14</b>	Befestigung des Schließseilschalters (041A9264), muss installiert werden (erforderliches Zubehör).....	7
<b>15</b>	Installation der MyQ-Remote-LED-Leuchte (nur für trockene Bereiche).....	8
<b>16</b>	Elektroanschluss.....	8
<b>17</b>	Installation der Lichtschranke.....	8
<b>18</b>	Stromanschluss.....	9
<b>19</b>	Installation des Batteriebackups (Optionales Zubehör).....	9
<b>20</b>	Programmierung des Laufwegs.....	10
<b>21</b>	Test des Sicherheitsrücklaufs.....	10
<b>22</b>	Manuelles Öffnen des Tores.....	11
<b>23</b>	Verwendung Ihres Garagentorantriebs.....	11
<b>24</b>	Verbindung mit Ihrem Smartphone.....	13
<b>25</b>	Programmierung von Handsender / Funk-Wandtaster / Funk-Codeschloss (optional).....	14
<b>26</b>	Programmierung der MyQ-Remote LED-Leuchte.....	14
<b>27</b>	Löschen des Speichers.....	15
<b>28</b>	Wartung und Pflege Ihres Garagentorantriebs.....	15
<b>29</b>	Austausch der Handsender-Batterien.....	15
<b>30</b>	Entsorgung.....	16
<b>31</b>	Diagnosetabelle.....	16
<b>32</b>	Fehlerbehebung.....	17
<b>33</b>	Optionales Zubehör.....	20
<b>34</b>	Technische Daten.....	20
<b>35</b>	Sicherheits- und Wartungsleitfaden für automatischen Garagentorantrieb.....	21
<b>36</b>	Regelmäßige Wartung kann tragische Ereignisse verhindern.....	22

# WARNUNG!

## LESEN SIE ZUNÄCHST DIESE WICHTIGEN SICHERHEITSAUWEISUNGEN!

### 1 Allgemeine Sicherheitsrichtlinien

Ehe Sie mit der Installation beginnen:

Bitte lesen Sie die Betriebsanweisungen und insbesondere die Vorsichtsmaßnahmen. Bewahren Sie das Handbuch zum Nachschlagen auf und geben Sie es gegebenenfalls an spätere Eigentümer weiter. Vor den Anweisungen finden sich folgende Symbole, um Verletzungen oder Sachschäden zu verhindern. Lesen Sie diese Anweisungen sorgfältig.



#### ACHTUNG

Verletzung oder Sachschaden



#### ACHTUNG

Gefahr durch Strom oder elektrische Spannung

#### Wichtige Sicherheitsinformation

Natürlich wurde das automatische Toröffnungssystem getestet und auf einen sicheren Betrieb ausgelegt, aber Sicherheit lässt sich nur gewährleisten, wenn die unten aufgeführten Sicherheitsanweisungen bei der Installation und im Betrieb genau eingehalten werden. Das Produkt ist nur zur Installation durch einen ausgebildeten Garagentechniker vorgesehen. Gegebenenfalls sind bei der Installation dieses Produkts Anpassungen der Torfedern und/oder Führungsschienen erforderlich. Dieses Produkt ist nicht für die Verwendung an Niedrigsturz-Schienen mit Außentrommel oder Garagentoren mit Zugfedern bestimmt.

- Der Monteur (Fachkraft) hat diese Anweisungen vor Beginn der Arbeiten sorgfältig zu lesen und zu verstehen. Elektrisch betriebene Fenster, Türen und Tore sind vor der ersten Verwendung und mindestens jährlich einer Sicherheitsüberprüfung durch eine Fachkraft zu unterziehen. Fachkraft bezeichnet Personen, die aufgrund ihrer Ausbildung und Erfahrung über ausreichende Kenntnisse im Bereich elektrisch betriebene Fenster, Türen und Tore verfügen und zudem so weit mit den maßgeblichen Betriebssicherheitsbestimmungen und allgemein anerkannten Technikregeln vertraut sind, dass sie die Sicherheit des Betriebszustands von elektrischen Fenstern, Türen und Toren beurteilen können.
  - Der Monteur muss mit folgenden Normen vertraut sein: EN 13241, EN 12604, EN 12453. Die ausgebildete Fachkraft muss den Bediener in Bezug auf folgende Punkte unterweisen:
    - Bedienung des Antriebs und dessen Gefahren -
    - Handhabung des manuellen Notentriegelungsmechanismus
- Regelmäßige Wartung, Inspektion und Pflege sowie seine Aufgaben**
- Der Bediener muss andere Nutzer in den Betrieb des Antriebs einweisen. Nach der erfolgreichen Installation des Antriebs hat die für die Installation des Antriebs verantwortliche Person gemäß der Maschinenrichtlinie 2006/42/EG die EG-Konformitätserklärung für das Torsystem auszustellen. Am Torsystem sind eine CE-Kennzeichnung und ein Typenschild anzubringen. Dies ist auch bei der Nachrüstung von manuellen Toren erforderlich. Zudem sind ein Übergabeprotokoll und ein Inspektionsbuch auszufüllen.
  - Das Tor muss ausbalanciert sein. Unbewegliche oder blockierte Tore sind zu reparieren. In nicht ausbalanciertem Zustand stehen Garagentore, Torfedern, Seile, Scheiben, Halterungen und Schienen unter extremer Spannung, was zu schweren Verletzungen führen kann. Versuchen Sie nicht, das Tor zu lösen, zu bewegen oder auszurichten, sondern wenden Sie sich an das Kundenzentrum oder einen Torspezialisten.
  - Bei der Installation oder Wartung eines Torantriebs sollten Sie keinen Schmuck, keine Uhren und keine lose Kleidung tragen.
  - Um schwere Verletzungen durch Einzug zu verhindern, entfernen Sie alle mit dem Tor verbundenen Seile und Ketten, ehe Sie den Torantrieb installieren.
  - Bei der Installation und beim Elektroanschluss sind die lokalen Bau- und Elektrobestimmungen einzuhalten.
  - Gemäß EN12453 ist die Installation eines Schließseilschalters erforderlich.
  - Zur Verhinderung von Schäden an sehr leichten Toren (wie Glasfaser-, Aluminium- oder Stahltores) ist eine geeignete Verstärkung anzubringen. Wenden Sie sich dazu an den Torhersteller.
  - Der automatische Sicherheitsrücklauf ist zu testen. Bei Kontakt mit einem 40 mm hohen Hindernis am Boden MUSS das Garagentor zurückfahren. Eine nicht ordnungsgemäße Einstellung des Garagentorantriebs kann zu schweren Verletzungen aufgrund eines sich schließenden Tores führen. Wiederholen Sie den Test monatlich und nehmen Sie alle erforderlichen Anpassungen vor.
  - Dieses System darf nicht in feuchten oder nassen Bereichen installiert werden.
  - Das Tor darf im Betrieb keinesfalls öffentliche Durchgänge versperren.
  - Um alle Bediener für die Betriebssicherheit zu sensibilisieren, sollte zusätzlich zum beleuchteten Wandtaster ein Warnschild zum Schutz von Kindern angebracht werden. Die Warnschilder zur Einzugsgefahr sind an gut sichtbaren Stellen anzubringen.
  - Kinder sind zu beaufsichtigen, um sicherzustellen, dass sie nicht mit der Vorrichtung spielen. Lassen Sie Kinder keine Drucktaster oder Sender bedienen. Lassen Sie Kinder nicht in der Nähe des Tores spielen.
  - Diese Vorrichtung ist nicht für die Verwendung durch Personen (einschließlich Kinder) mit eingeschränkten physischen, sensorischen oder geistigen Fähigkeiten oder mangelnder Erfahrung und/oder fehlendem Wissen bestimmt, es sei denn, sie werden durch eine für ihre Sicherheit verantwortliche Person beaufsichtigt oder wurden im Umgang mit der Vorrichtung unterwiesen.
  - Zur Vermeidung von Schäden am Tor sind alle vorhandenen Sperren / Schlösser zu deaktivieren.
  - Steuereinrichtungen MÜSSEN gegebenenfalls in Sichtweite des Tores und außerhalb der Reichweite von Kindern montiert werden. Kindern darf die Bedienung von Tastern oder Handsendern nicht erlaubt werden. Eine unsachgemäße Verwendung des Torantriebs kann zu schweren Verletzungen führen.
  - Der Torantrieb darf NUR verwendet werden, wenn der Bediener den gesamten Torbereich einsehen kann, er sich versichert hat, dass dieser frei von Hindernissen ist und der Torantrieb ordnungsgemäß eingestellt ist. Es darf niemand durch das Tor gehen, solange es in Bewegung ist. Kinder dürfen nicht in Tornähe spielen.

- Verwenden Sie die manuelle Entriegelung nur zur Trennung des Laufwagens vom Antrieb und – wenn möglich – NUR bei geschlossenem Tor. Verwenden Sie den roten Griff nicht zum Aufschieben bzw. Zuziehen des Tores.
- Vor der Durchführung von Reparaturen oder der Entfernung von Abdeckungen ist der Torantrieb von der elektrischen Stromversorgung zu trennen. **Reparaturen und Elektroinstallationen dürfen nur von einem qualifizierten Elektriker durchgeführt werden.**
- Dieses Produkt verfügt über einen Trafo mit einem speziellen Stromkabel. Bei Beschädigung MUSS dieser von einem qualifizierten Techniker gegen einen Originaltrafo ausgetauscht werden.
- Beim Betätigen der Notentriegelung kann es zu unkontrollierten Bewegungen des Tores kommen, wenn Federn schwach oder gebrochen sind oder das Tor nicht ausbalanciert ist.
- Bringen Sie den Entriegelungsgriff für die Notentriegelung in einer Höhe von maximal 1,80 m an.
- Die automatische Schließfunktion Timer-to-Close (TTC), die MyQ-Smartphone-Steuerapp und die MyQ-Garagentorüberwachung sind Beispiele für unbeaufsichtigtes Schließen und dürfen NUR mit Sektionaltoren verwendet werden. Die Verwendung sämtlicher Vorrichtungen oder Funktionen, die ein Schließen des Tores von außerhalb der Sichtweite des Tores ermöglichen, gilt als unbeaufsichtigtes Schließen. Die automatische Schließfunktion Timer-to-Close (TTC), die MyQ-Smartphone-Steuerapp und alle sonstigen MyQ-Vorrichtungen dürfen NUR mit Sektionaltoren verwendet werden.
- Der Antrieb darf nicht eingesetzt werden, wenn im Garagentor eine Schlupfür vorhanden ist.

**Bewahren Sie diese Anweisungen auf.**

## 2 Bestimmungsgemäßer Gebrauch

Die Vorrichtung ist zum Öffnen und Schließen von Toren, die eine Welle und Federn verwenden, bestimmt (siehe Abschnitt 3 „Planung“). Die Vorrichtung ist nicht für den gewerblichen Einsatz, sondern ausschließlich zur Verwendung an privaten Garagentoren für Einzelhaushalte vorgesehen. Eine jedwede unsachgemäße Verwendung der Vorrichtung kann das Unfallrisiko erhöhen. Der Hersteller übernimmt keinerlei Haftung für eine solche Verwendung. Es darf nur Original-Zubehör von LiftMaster an den Antrieb angeschlossen werden. Automatische Tore mit diesem Antrieb müssen den aktuell gültigen internationalen, länderspezifischen und lokalen Standards, Richtlinien und Bestimmungen (EN 13241, EN 12453 und EN 12604) entsprechen.

## 3 Planung des Torbetriebs

Prüfen Sie die Umgebung, um zu sehen, ob unten genannte Bedingungen auf Ihre Installation zutreffen. Je nach Ihren Anforderungen kann zusätzliches Material erforderlich sein.

**DIESER TORANTRIEB IST KOMPATIBEL MIT:**

- Tore, die eine Welle und Federn verwenden. Die Welle muss einen Durchmesser von 25,4 mm aufweisen. NICHT kompatibel mit gegenläufigen Trommeln.
- 80-120 mm Trommel, nicht verwenden mit konischer Trommel über 120 mm.
- Standard-Sektionaltore bis zu einer Höhe von 3 m.
- Tore bis 5,5 m Breite.
- Tore bis 16.5 m<sup>2</sup>.

**HINWEIS:** Prüfen Sie die Welle bei angehobenem und abgesenktem Tor. Es ist wichtig, dass es keine wahrnehmbare Auf- und Ab- oder Links- und Rechtsbewegung gibt. Wird die Bewegung nicht korrigiert, verringert sich die Lebensdauer des Garagentorantriebs erheblich.

Prüfen oder inspizieren Sie den geplanten Installationsbereich. Der Torantrieb kann auf der linken oder rechten Torseite angebracht werden. Wählen Sie die Seite, die den nachfolgenden Anforderungen entspricht:

- a. Mindestens 6,4 cm zwischen Wand und Mitte der Welle.
- b. Mindestens 7,6 cm zwischen Decke und Mitte der Welle.
- c. Mindestens 21,6 cm zwischen Seitenwand (oder Hindernis) und Ende der Welle.
- d. Die Welle muss mindestens 3,81 cm über das Lager hinausragen. Dies kann je nach Ihren Installationsanforderungen unterschiedlich sein
- e. In einem Abstand von maximal 1,83 m des Installationsbereichs muss sich eine Steckdose befinden. Ist keine Steckdose vorhanden, wenden Sie sich an einen qualifizierten Elektriker.



## 4 Planung für MyQ-Betrieb

Diesen Antrieb können sie mit MyQ steuern - Lichtschranken sind erforderlich. Überwachen und steuern Sie Ihr Garagentor von überall mithilfe der MyQ-App.

### BEFORSIE BEGINNEN:

Sie benötigen:

- Wi-Fi-fähiges Smartphone, Tablet oder Laptop
- Breitband-Internetverbindung
- Wi-Fi-Signal in der Garage (2,4 Ghz, 802.11b/g/n erforderlich)
- Passwort für Ihr Heimnetzwerk (Hauptkonto des Routers, kein Gastnetzwerk)

### ÜBERPRÜFUNG DER WI-FI-SIGNALSTÄRKE

Stellen Sie sicher, dass Ihr Mobilgerät mit Ihrem Wi-Fi-Netzwerk verbunden ist. Halten Sie Ihr Mobilgerät an die Stelle, an der Ihr Garagentorantrieb installiert wird und prüfen Sie die Wi-Fi-Signalstärke.

### Wi-Fi-Signal ist stark.

Der Garagentorantrieb wird eine Verbindung zu Ihrem Wi-Fi-Netzwerk herstellen.

### Wi-Fi-Signal ist schwach.

Der Garagentorantrieb wird eventuell keine Verbindung zu Ihrem Wi-Fi-Netzwerk herstellen. Wird keine Verbindung hergestellt, versuchen Sie mit einer der nachfolgenden Möglichkeiten, das Wi-Fi-Signal zu verbessern:

### Kein Wi-Fi-Signal.

Der Garagentorantrieb wird keine Verbindung zu Ihrem Wi-Fi-Netzwerk herstellen können. Versuchen Sie mit einer der nachfolgenden Möglichkeiten, das Wi-Fi-Signal zu verbessern:

- Positionieren Sie Ihren Router näher am Garagentorantrieb, um Interferenzen durch Wände und andere Gegenstände zu verhindern
- Kaufen Sie einen Wi-Fi-Reichweiten-Expander

## 5 Vorbereitung des Garagentors



**ACHTUNG:** Rufen Sie, wenn Ihr Garagentor schwergängig ist, klemmt oder nicht ausbalanciert ist, **IMMER** einen ausgebildeten Torsystemtechniker. Nicht ausbalancierte Garagentore laufen im Bedarfsfall möglicherweise **NICHT** zurück. Versuchen Sie **NIE**, das Garagentor, Torfedern, Seile, Rollen, Halterungen oder deren Beschläge, die **ALLE** unter **EXTREMER** Spannung stehen, zu lösen, zu bewegen oder einzustellen.

Deaktivieren Sie **ALLE** Schlösser und entfernen Sie alle mit dem Garagentor verbundenen Seile, **BEVOR** Sie den Garagentorantrieb installieren und bedienen, um ein Verfangen zu verhindern. Das Öffnungssystem ist mit einer Funktion zum unbeaufsichtigten Betrieb ausgestattet. Das Tor kann sich unerwartet bewegen. **NIEMAND DARF IN DEN BEWEGUNGSBEREICH EINES SICH BEWEGENDEN TORES TRETEN.**

### BEFORSIE BEGINNEN:

- Deaktivieren Sie die Schlösser.

Führen Sie den folgenden Test durch, um sicherzustellen, dass das Garagentor ausbalanciert ist und nicht schwergängig ist oder klemmt:

- Öffnen Sie das Tor bis auf halbe Höhe. Geben Sie das Tor frei. Wenn es ausbalanciert ist, sollte es nur von den Federn gehalten in Position bleiben.
- Öffnen und schließen Sie das Tor, um Schwergängigkeit und Klemmen auszuschließen.
- Tore über 130 kg sollten sich **NICHT** schnell öffnen oder schließen.

Wenn Ihr Tor schwergängig ist, klemmt oder nicht ausbalanciert ist, rufen Sie einen ausgebildeten Torsystemtechniker.

---

## 6 Benötigtes Werkzeug

Bei der Montage, Installation und Einstellung des Garagentorantriebs verweisen die Anweisungen auf die nachfolgend aufgeführten Werkzeuge.

- |                 |  |
|-----------------|--|
| 1. Trittleiter  | 7. Schraubendreher                         |
| 2. Bohrmaschine | 8. Wasserwaage                             |
| 3. Maßband      | 9. Klauenhammer                            |
| 4. Drahtschere  | 10. Ratsche mit Einsätzen und Verlängerung |
| 5. Zange        | 11. Verstell Schlüssel                     |
| 6. Bohrer       | 12. Bleistift                              |

---

## 7 Lieferumfang

Überprüfen Sie sorgfältig das Verpackungsmaterial, wenn etwas fehlt.

### GARAGENTORANTRIEB

- |   |    |
|---|----|
| 1. Garagentorantrieb, LM3800W             | 1x |
| 2. Automatisches Garagentorschluss, 841EU | 1x |
| 3. Montagehalterung                       | 1x |
| 4. Kupplung mit Stellschrauben            | 1x |
| 5. Sicherheitskennzeichnungen             | 1x |
| 6. 4-Kanal-Handsender, TX4EVF             | 2x |
| 7. MyQ Remote-LED-Leuchte, 827EV          | 1x |
| 8. Handbuch                               |    |

### REMOTE LED LEUCHE

- |  |    |
|--|----|
| 9. Rigibsanke (zum Einschrauben) 42 mm | 2x |
| 10. Schraube 27,85 mm                  | 2x |

### SCHRAUBENBEUTEL

- |   |    |
|---|----|
| 11. Schraube 15 mm                        | 2x |
| 12. Schraube 54,8 mm                      | 4x |
| 13. Griff                                 | 1x |
| 14. Seil                                  | 1x |
| 15. Schraube 15 mm                        | 2x |
| 16. Rigibsanke (zum Einschrauben) 36,8 mm | 4x |
| 17. Schraube 22 mm                        | 2x |

---

## 8 Benötigtes Zubehör

Schlaffseilschalter 041A9264.

Infrarot-Fotozellen (für MyQ-Betrieb: - 771EV oder- 772E oder- 771EVK oder- G770E).

## 9 Befestigung der Kupplung am Garagentorantrieb

Zur Vermeidung von Schwierigkeiten bei der Installation, betätigen Sie den Garagentorantrieb erst, wenn Sie dazu aufgefordert werden.

Der Garagentorantrieb kann an einer beliebigen Torseite angebracht werden (siehe Abschnitt Planung). Auf dem Darstellungsblatt ist eine der Möglichkeiten dargestellt.

1. Lösen Sie die Stellschrauben.
2. Befestigen Sie die Kupplung an der Garagentor-Antriebswelle. Die Kupplungsseite mit dem größeren Loch ist an der Antriebswelle zu platzieren.
3. Stellen Sie sicher, dass die Kupplung bis zum Anschlag vollständig auf die Antriebswelle gesetzt wird.
4. Richten Sie die Kupplung so aus, dass die Schrauben nach außen zeigen und bei Befestigung an der Welle zugänglich sind.
5. Ziehen Sie die 2 Vierkant-Stellschrauben, die sich der Antriebswelle am nächsten befinden, fest, indem Sie die Schrauben nach dem Kontakt mit der Antriebswelle um 1/4 - 1/2 Drehung drehen.

## 10 Befestigung der Montagehalterung am Garagentorantrieb



1. Befestigen Sie die geschlitzte Seite der Montagehalterung mit den mitgelieferten Schrauben an der gleichen Seite des Garagentorantriebs wie die Kupplung (11).

*HINWEIS:* Ziehen Sie die Schrauben erst an, wenn Sie dazu aufgefordert werden.

## 11 Positionierung und Montage des Garagentorantriebs



Bei Befestigung der Montagehalterung an Mauerwerk MÜSSEN Betonanker verwendet werden. Versuchen Sie NIE, das Garagentor, Federn, Seile, Rollen, Halterungen oder deren Beschläge, die ALLE unter EXTREMER Spannung stehen, zu lösen, zu bewegen oder einzustellen. Rufen Sie, wenn Ihr Garagentor schwergängig ist, klemmt oder nicht ausbalanciert ist, IMMER einen ausgebildeten Torsystemtechniker / Monteur / Fachmann. Nicht ausbalancierte Garagentore laufen im Bedarfsfall möglicherweise NICHT zurück. Der Garagentorantrieb MUSS im rechten Winkel zur Welle montiert werden, um einen vorzeitigen Verschleiß der Kupplung zu verhindern. Berücksichtigen Sie die Anforderungen vor Ort.

*HINWEIS:* Zusätzliche Montageoptionen sind der Zubehörsseite zu entnehmen.

1. Schließen Sie das Garagentor vollständig.
2. Schieben Sie den Garagentorantrieb auf das Ende der Welle. Ist die Welle zu lang oder beschädigt, müssen Sie sie eventuell zuschneiden. Stellen Sie sicher, dass die Kupplung NICHT das Lager berührt.
3. Verwenden Sie eine Wasserwaage, um den Garagentorantrieb zu positionieren und vertikal auszurichten. Überprüfen Sie, dass sich die Montagehalterung an einer stabilen Oberfläche, wie Holz, Beton oder Tür-/oder Sturz, befindet. Bei der Installation an einer Rigibswand MUSS die Montagehalterung an einem Ständer befestigt werden.
4. Ist der Garagentorantrieb richtig ausgerichtet, markieren Sie die Montagehalterungslöcher. Wenn nötig, ziehen Sie die Stellschrauben an der Welle an, um den Garagentorantrieb in Position zu halten, während Sie die Löcher markieren. HINWEIS: Der Garagentorantrieb muss nicht bündig mit der Wand abschließen.
5. Nehmen Sie den Garagentorantrieb von der Welle. Machen Sie eine 5 mm Vorbohrung an den markierten Stellen. Durchbohren Sie, wenn nötig, die Metalltorschienenplatten.
6. Schieben Sie den Garagentorantrieb wieder auf die Welle, bis die Vorbohrungen richtig auf die Halterung ausgerichtet sind.
7. Ziehen Sie die 2 Vierkantschrauben an der Welle an. Bei einer Hohlwelle ziehen Sie die Schrauben nach Kontakt mit der Stange eine 3/4 - 1 volle Drehung an. Bei massiven Wellen ziehen Sie die Schrauben nach Kontakt mit der Welle eine 1/4 - nicht mehr als 1/2 Drehung an. Befestigen Sie bei Wellen mit Keilnut die Schrauben NICHT in der Keilnut.
8. Befestigen Sie die Montagehalterung an der Wand und am Garagentorantrieb. Befestigen Sie die Montagehalterung mit den Schrauben (12) an der Wand.

## 12 Befestigung der Notentriegelung und -Griff



Nutzen Sie nach Möglichkeit die Notentriegelung zum Lösen des Tores NUR, wenn das Tor GESCHLOSSEN ist. Schwache oder gebrochene Federn oder ein nicht ausbalanciertes Tor können dazu führen, dass ein geöffnetes Tor schnell und/oder unerwartet nach unten fällt. Verwenden Sie den Notenriegelungsgriff NUR, wenn sich keine Personen oder Hindernisse in der Toröffnung befinden.

1. Führen Sie ein Ende des Seils durch den Griff. Stellen Sie sicher, dass die „SICHERHEITSKENNZEICHNUNG“ richtig herum ist. Sichern Sie es mit einem Knoten mindestens 2,5 cm vor dem Ende des Seils, um ein Herausrutschen zu verhindern.
2. Führen Sie das andere Ende des Seils durch das Loch im Laufwagen. Montieren Sie die Notentriegelung in Reichweite, aber mindestens 1,83 m über dem Boden, um ein unbeabsichtigtes Auslösen durch Fahrzeugkontakt zu verhindern, und sichern Sie sie mit einem Knoten.

*HINWEIS:* Veröden Sie, wenn das Seil zugeschnitten werden muss, die Schnittfläche mit einem Streichholz oder Feuerzeug, um ein Aufdröseln zu verhindern.

## 13 Installation des automatischen Torschlosses

Das automatische Torschloss (Modell 841EU) verhindert das manuelle Öffnen des Tores, wenn dieses vollständig geschlossen ist.

*HINWEIS: Ältere 24V-Torschlossmodelle sind nicht kompatibel.*

1. Das Schloss ist in einem Abstand von maximal 3,05 m vom Torantrieb anzubringen. Montieren Sie es, wenn möglich, auf der gleichen Seite wie den Torantrieb.
2. Stellen Sie sicher, dass die Schienenoberfläche sauber ist und bringen Sie die Schlossschablone so daran an, dass das Bolzenloch etwa 7,6 cm vom Mittelpunkt einer Torrolle entfernt ist.
3. Bohren Sie die auf der Schablone eingezeichneten Löcher.
4. Befestigen Sie das automatische Torschloss mit den mitgelieferten Befestigungsmaterialien außen an der Schiene.
5. Führen Sie die Klingelleitung die Wand hoch zum Torantrieb. Befestigen Sie die Leitung an mehreren Stellen mit isolierten Klammern (optional). Führen Sie die Leitung unten in den Torantrieb ein.
6. Verbinden Sie das Anschlusssteil mit einem beliebigen Anschluss des Torantriebs. Ein zweites Torschloss (841EU) kann entsprechend den obigen Anweisungen an der anderen Torseite angebracht werden.

### TESTEN DES AUTOMATISCHEN TORSCHLOSSES

1. Bei vollständig geschlossenem Tor sollte der Bolzen des automatischen Torschlosses (B) durch die Schiene hinausragen.
2. Öffnen Sie das Tor. Das automatische Torschloss (A) sollte sich zurückziehen, ehe das Tor sich zu bewegen beginnt.
3. Bewegen Sie das Tor nach unten. Sobald das Tor vollständig geschlossen ist, sollte sich das automatische Torschloss schließen und das Tor sichern.

*HINWEIS: Wenn das automatische Torschloss nicht funktioniert, kann das Schloss manuell gelöst werden, indem der Lösehebel (C) auf geöffnet gestellt wird.*

## 14 Befestigung des Schlawfschalters (041A9264), muss installiert werden (erforderliches Zubehör)

Der Schlawfschalter MUSS vor dem Herunterfahren des Garagentorantriebs verbunden und ordnungsgemäß installiert werden. Der Schlawfschalter erkennt, wenn die Seile durchhängen, und veranlasst ein Zurücklaufen des Tores, was Wartungsmaßnahmen verhindert. Die Installation eines Schlawfschalters ist gemäß EN12453 erforderlich.

*HINWEIS: Der gelieferte Schlawfschalter ist zur Installation auf der linken Seite. Entfernen Sie zur Installation auf der rechten Seite den Sicherungsring, der die Rolle hält, und bringen Sie ihn auf der anderen Seite des Schlawfschalters an.*

1. Stellen Sie sicher, dass das Torseil etwa 19 mm von der Montagefläche entfernt ist. Um die richtige Tiefe für das Torseil zu erreichen, kann eine Toreinstellung oder ein Ausgleichen erforderlich sein.
2. Positionieren Sie den Schlawfschalter so, dass die Rolle 5-15 cm von der Trommel entfernt ist und 3-6 mm über das Kabel hinausragt. Stellen Sie sicher, dass sich der Schlawfschalter über einem Holztrageelement befindet und die Rolle frei von Hindernissen ist.

*HINWEIS: Hindernisse im Installationsbereich, die vollständiges Schließen des Schlawfschalters bei einem durchhängenden Seil verhindern, sind auszuschließen.*

3. Markieren und Bohren Sie 5 mm Vorbohrlöcher für die Schrauben (für Anker nicht erforderlich).
4. Bringen Sie den Schlawfschalter mit dem mitgelieferten Befestigungsmaterial an der Wand an. Stellen Sie sicher, dass die Rolle über dem Seil ist.
5. Führen Sie die Klingeldraht zum Torantrieb. Fixieren Sie Kabel mit isolierten Klammern.
6. Verbinden Sie die Klingeldraht mit den Schnellanschlüssen (10 + 11) des Torantriebs (Polarität ist unwichtig).

*HINWEIS: Das Seil muss während des gesamten Laufwegs des Tores gespannt sein. Stellen Sie sicher, dass das Seil im normalen Betrieb auf der gegenüberliegenden Seite nicht durchhängt. Hängen die Seile während der Torbewegung durch, nehmen Sie eine entsprechende Justierung vor.*

### TEST DES SCHLAWFSCHALTERS

1. Drücken Sie bei vollständig geschlossenem Tor vorne auf den Schlawfschalter. Es sollte ein Klick zu hören sein. Ertönt kein Klick, stößt möglicherweise die Rolle an den Pfosten und verhindert, dass der Schalter ein schlaffes Seil erkennt. Stellen Sie sicher, dass der Schlawfschalter

bündig an der Wand angebracht ist und die Rolle frei von Hindernissen ist.

Der bereitgestellte 1k-Widerstand dient ausschließlich zur Problembehandlung bei der Einrichtung des Schlawfschalters. Gemäß EN12453 ist zur einwandfreien Erkennung durchhängender Seile ein Schlawfschalter zu installieren.

Nach dem Auslösen des Schlawfschalters blinken die UP- und DOWN-Tasten Diagnosecode 3-5.

## 15 Installation der MyQ-Remote-LED-Leuchte (nur für trockene Bereiche)

Die MyQ-Remote-LED-Leuchte wird direkt an eine Standard-230V-Steckdose angeschlossen. Wählen Sie einen geeigneten Ort an der Decke oder der Wand für die Anbringung der Leuchte in einem Abstand von maximal 1,83 m von einer Steckdose, so dass Kabel und Leuchte nicht in der Nähe von beweglichen Teilen sind. Die Installation der MyQ-Remote-LED-Leuchte ist für MyQ und die automatische Schließfunktion Timer-to-Close (TTC) erforderlich.

**HINWEIS:** Wird die Leuchte an einer Rigibswand angebracht, so verwenden Sie bitte die mitgelieferten Rigibsanke. Für die Rigibsanke ist keine Vorbohrung erforderlich.

1. Bei der Montage an einem Balken bringen Sie die Vorbohrungen in einem Abstand von 15,6 cm an.  
ODER  
Schrauben Sie bei der Anbringung an einer Rigibswand die Ankerschrauben in einem Abstand von 15,6 cm ein.
2. Ermitteln Sie die bis zur nächsten Steckdose erforderliche Stromkabellänge. Wickeln Sie das überschüssige Kabel um die Kabelhalterung oben an der Leuchtengrundfläche. Führen Sie das Kabel durch den Kanal, so dass die Leuchte bündig ist.
3. Öffnen Sie die Lichtabdeckung.
4. Montieren Sie die Leuchte mit den mitgelieferten Schrauben (9+10).
5. Schließen Sie die Lichtabdeckung.
6. Stecken Sie den Stecker der Leuchte in die Steckdose.

**HINWEIS:** Die LED-Leuchte ist sehr hell. Blicken Sie NICHT in das Licht, wenn Sie auf der Leiter stehen.

Ihre LED-Leuchte wurde werksseitig bereits für den Betrieb mit Ihrem Antrieb programmiert. Zusatz- oder Ersatzleuchten müssen programmiert werden.

## 16 Elektroanschluss



Zur Vermeidung von Verletzungen und Schäden an der Vorrichtung ist der Torantrieb nur bei entsprechender ausdrücklicher Anweisung in diesem Handbuch zu betätigen. Der Netzstecker muss zur Abtrennung vom Netzstrom immer zugänglich sein. Elektroinstallationen dürfen nur von qualifizierten Elektrikern durchgeführt werden.

## 17 Installation der Lichtschränke

### WICHTIGE INFORMATION ZU DEN LICHTSCHRANKEN

Die Installationsanleitung ist im Lieferumfang der Lichtschränke enthalten und muss befolgt werden. **Mit der Lichtschränke wird sichergestellt, dass das Tor offen ist, bzw. bleibt, sobald sich Personen, insbesondere kleine Kinder, im Torbereich befinden.** Wenn die Lichtschränke richtig angeschlossen und ausgerichtet ist, erkennt sie Hindernisse im Weg seines Sensorstrahls. Die Sendeeinheit sendet einen unsichtbaren Lichtstrahl an den Empfangssensor. Wenn ein Hindernis den Lichtstrahl unterbricht, während das Tor geschlossen wird, stoppt das Tor und läuft zurück bis zur vollständigen Öffnung, und die Antriebsleuchten blinken 10 Mal.

Zur Verwendung von MyQ oder TTC muß die Lichtschränke so an der Garage angebracht sein, dass die Sendeeinheit und der Empfangssensor maximal 10 cm über dem Boden einander über das Tor hinweg gegenüberliegen. Welche Einheit an welcher Seite des Tores angebracht wird, ist unerheblich, solange sichergestellt ist, dass die Linse des Empfangssensors nie direkter Sonneneinstrahlung ausgesetzt ist. Der Weg des unsichtbaren Lichtstrahls muss frei von Hindernissen sein. Beim Schließen des Tores dürfen keine Garagenteile (Torschienen, Federn, Gelenke, Laufrollen oder Ähnliches) den Strahl unterbrechen.

**HINWEIS:** LiftMaster empfiehlt die Installation von Lichtschränken an jeder Anlage. Für MyQ oder TTC sind Lichtschränke unabdingbar.

### VERKABELUNG DER LICHTSCHRÄNKE

1. Führen Sie das Kabel von beiden Sensoren zum Garagentorantrieb. Befestigen Sie es mit Klammern an Wand und Decke.
2. Entfernen Sie von jedem Kabelsatz 11 mm Isolierung. Trennen Sie die Kabel. Verdrillen Sie die weißen Kabel. Verdrillen Sie die schwarz-weißen Kabel.
3. Stecken Sie die weißen Kabel in den weißen Anschluss des Garagentorantriebs. Stecken Sie die schwarz-weißen Kabel in den grauen Anschluss des Garagentorantriebs. Zum Einstecken oder Herausziehen der Kabel drücken Sie mit der Spitze eines Schraubenziehers auf das Klemmstück.

### RICHTIGE AUSRICHTUNG DER LICHTSCHRÄNKE

**Das Tor schließt nicht, wenn die Lichtschränke nicht richtig installiert und ausgerichtet sind.**

Ist der Lichtstrahl beim Schließen des Tores versperrt oder nicht richtig ausgerichtet, läuft das Tor zurück und die Garagentorantriebsleuchten blinken zehn Mal. Ist das Tor bereits geöffnet, schließt es sich nicht. Die Lichtschränke lassen sich durch Lösen und Anziehen der Flügelmuttern ausrichten.

1. Überprüfen Sie, dass die LEDs in beiden Sensoren durchgehend leuchten. Die LEDs in beiden Sensoren leuchten durchgehend, wenn sie richtig ausgerichtet und verkabelt sind.

## TESTEN DER LICHTSCHRANKE

1. Öffnen Sie das Tor. Patzieren Sie ein Hindernis im Weg des Tores.
2. Schließen Sie das Tor mit dem Handsender. Das Tor bewegt sich nicht mehr als 2,5 cm, und die Garagentorantriebsleuchten blinken 10 Mal. Das Garagentor lässt sich nicht per Handsender schließen, wenn die LED in einer der Lichtschranken aus ist (was Ihnen zeigt, dass die Sensoren falsch ausgerichtet oder versperrt sind). **Schließt der Garagentorantrieb das Tor, wenn die Lichtschranke versperrt sind (und die Sensoren nicht mehr als 10 cm über dem Boden sind), rufen Sie einen ausgebildeten Torsystemtechniker.**

## 18 Stromanschluss

Um Schwierigkeiten bei der Installation zu vermeiden, betätigen Sie jetzt nicht den Garagentorantrieb.

Ihr Garagentorantrieb ist zur Verringerung des Stromschlagrisikos mit einem Erdungsstecker ausgestattet. Dieser Stecker passt nur in eine Erdungsdose. Wenn der Stecker nicht in Ihre Steckdose passt, wenden Sie sich zur Installation der richtigen Steckdose an einen qualifizierten Elektriker.

Es gibt nur eine Möglichkeit für den Stromanschluss:

### TYPISCHE VERKABELUNG

Stecken Sie den Stecker des Garagentorantriebs in eine geerdete Steckdose.

## 19 Installation des Batteriebackups (Optionales Zubehör)



Zur Verringerung des BRAND- und VERLETZUNGSRISIKOS. Trennen Sie die GESAMTE Strom- und Batterieversorgung ab, BEFOR Sie IRGENDWELCHE Service- oder Wartungsmaßnahmen vornehmen. Verwenden Sie als Ersatzbatterie NUR Lift-Master Teil 485EU. Werfen Sie die Batterie NICHT ins Feuer. Sie kann explodieren. Über die Möglichkeiten einer Entsorgung informiert die dafür zuständige Behörde (Stadt, Gemeinde) oder ihr Entsorger.

Im Batterie-Backupmodus sind die MyQ-Smartphonesteuerung und drahtlose MyQ-Geräte deaktiviert. Im Batterie-Backupmodus wird das automatische Garagentor Schloss entriegelt, wenn das Garagentor geöffnet wird, und bleibt deaktiviert, bis die Stromversorgung wiederhergestellt ist.

1. Ziehen Sie den Stecker des Garagentorantriebs.
2. Entfernen Sie die Batterieabdeckung des Garagentorantriebs mit einem Schraubenzieher.
3. Setzen Sie die Batterie mit den Anschlüssen nach außen teilweise in das Batteriefach.
4. Verbinden Sie das rote (+) und das schwarze (-) Kabel des Garagentorantriebs mit den entsprechenden Anschlüssen der Batterie.
5. Setzen Sie die Batterieabdeckung wieder auf.
6. Stecken Sie den Stecker des Garagentorantriebs ein.

### BATTERIESTATUS LED (B)

#### GRÜNE LED:

Alle Systeme sind normal.

- Ein durchgehendes grünes LED-Licht zeigt an, dass die Batterie vollständig geladen ist.
- Ein blinkendes grünes LED-Licht zeigt an, dass die Batterie geladen wird.

#### ORANGE LED:

Die Stromversorgung des Garagentorantriebs ist ausgefallen, und er befindet sich im Batterie-Backupmodus.

- Eine durchgehend orange leuchtende LED und ein Piepton etwa alle 2 Sekunden zeigen an, dass das der Garagentorantrieb über die Batterie versorgt wird.
- Eine blinkende orange LED und ein Piepton alle 30 Sekunden zeigen einen niedrigen Batteriestand an.

#### ROTE LED:

Die 12V-Batterie des Garagentorantriebs muss ausgetauscht werden.

- Eine durchgehend rot leuchtende LED und ein Piepton alle 30 Sekunden zeigen an, dass die 12V-Batterie leer ist und ausgetauscht werden muss. Tauschen Sie die Batterie aus, um die Backup-Funktion aufrechtzuerhalten.

*HINWEIS: Die Batterie muss zum Betrieb des Garagentorantriebs nicht vollständig geladen sein.*

## 20 Programmierung des Laufwegs



Eine falsche Einstellung der Endschalter stört den ordnungsgemäßen Betrieb des Sicherheitsrücklaufs. Der Sicherheitsrücklauf MUSS nach JEDER Einstellungen getestet werden. Das Tor MUSS bei Kontakt mit einem 40 mm Gegenstand auf dem Boden zurücklaufen. Stellen Sie zur Verhinderung von Fahrzeugschäden sicher, dass das vollständig geöffnete Tor genügend Platz bietet.

Endschalter regeln die Punkte, an denen das Tor bei der Aufwärts- bzw. Abwärtsbewegung stoppt. Während der Programmierung können die UP- und DOWN-Tasten zur Bewegung des Tores verwendet werden.

1. Drücken und halten Sie die Einstelltaste (A), bis die UP-Taste (U) zu blinken beginnt und/oder ein Piepton ertönt.
2. Drücken und halten Sie die UP-Taste (U), bis das Tor in der gewünschten AUF-Position ist.
3. Sobald das Tor in der gewünschten Stellung ist, drücken Sie einmal die Einstelltaste (A). Die Garagentorantriebsleuchten blinken zwei Mal, und die DOWN-Taste (D) beginnt zu blinken.
4. Drücken und halten Sie die DOWN-Taste (D), bis das Tor in der gewünschten AB-Position ist.
5. Sobald das Tor in der gewünschten Position ist, drücken Sie einmal die Einstelltaste (A). Die Garagentorantriebsleuchten blinken zwei Mal, und die UP-Taste (U) beginnt zu blinken.
6. Drücken Sie die UP-Taste (U) einmal. Wenn sich das Tor zur einprogrammierten AUF-Position bewegt, beginnt die DOWN-Taste (D) zu blinken.
7. Drücken Sie die DOWN-Taste (D) einmal. Das Tor bewegt sich zur einprogrammierten AB-Position. Die Programmierung ist abgeschlossen.

Wenn die Garagentorantriebsleuchten während der Schritte zur Programmierung des Laufwegs 5 Mal blinken, ist die Zeit für die Programmierung abgelaufen. Wenn der Schlaufseilschalter nicht installiert ist oder einen zu starken Durchhang des Seils erkennt, blinken die Garagentorantriebsleuchten 5 Mal. Stellen Sie sicher, dass der Schlaufseilschalter korrekt installiert ist, und folgen Sie dann den Schritten zur Programmierung des Laufwegs. Wenn die Garagentorantriebsleuchten während der Schritte zur Programmierung des Laufwegs 10 Mal blinken, sind die Lichtschranken falsch ausgerichtet oder versperrt. Ist die Lichtschranke richtig ausgerichtet und nicht versperrt, führen Sie mithilfe des Handsenders oder den UP- und DOWN-Tasten einen vollständigen Öffnungs- und Schließzyklus des Tores durch. Die Programmierung ist abgeschlossen. Lässt sich das Tor nicht nach oben und unten bewegen, wiederholen Sie die Schritte für die Programmierung des Laufwegs.

## 21 Test des Sicherheitsrücklaufs



Der Automatische Sicherheitsrücklauf muss einem Test unterzogen werden. Beim Kontakt mit einem am Boden befindlichen 40 mm hohen Hindernis muss das Garagentor zurückfahren. Eine nicht ordnungsgemäße Einstellung des Torantriebs kann zu schweren Körperverletzungen aufgrund eines sich schließenden Tores führen. Test einmal im Monat wiederholen und gegebenenfalls erforderliche Änderungen vornehmen.

### TEST

1. Legen Sie bei vollständig geöffnetem Tor ein 40 mm Brett mittig unter das Tor auf den Boden.
2. Schließen Sie das Tor mit dem Handsender. Das Tor MUSS beim Kontakt mit dem Brett zurücklaufen.

### EINSTELLUNG

Wenn das Tor stoppt, aber nicht zurückläuft:

3. Prüfen Sie die mitgelieferten Installationsanweisungen, um sicherzustellen, dass alle Schritte befolgt wurden.
4. Wiederholen Sie die Programmierung des Laufwegs (siehe Einstellung Schritt 1 „Punkt 20“).
5. Wiederholen Sie den Test des Sicherheitsrücklaufs.

Rufen Sie einen ausgebildeten Torsystemtechniker, wenn der Test erneut fehlschlägt.

### WICHTIGE SICHERHEITSPRÜFUNG:

Testen Sie den Sicherheitsrücklauf nach:

- Jeder Einstellung der Endschalter.
- Jeder Reparatur oder Einstellung des Tores (einschließlich Federn und Schrauben).
- Jeder Reparatur oder Wölbung des Bodens.
- Jeder Reparatur oder Einstellung des Garagentorantriebs.

## 22 Manuelles Öffnen des Tores



**Nutzen Sie nach Möglichkeit die Notentriegelung zum Entriegeln des Tores NUR, wenn das Tor geschlossen ist. Schwache oder gebrochene Federn oder ein nicht ausbalanciertes Tor können dazu führen, dass ein geöffnetes Tor schnell und/oder unerwartet nach unten fällt. Verwenden Sie die Notentriegelung NUR, wenn sich keine Personen oder Hindernisse in der Toröffnung befinden.**

Lösen Sie sämtliche Torschlösser, bevor Sie fortfahren. Das Tor sollte nach Möglichkeit vollständig geschlossen sein. Ziehen Sie den Notlösegriff nach unten, bis ein Klicken des Torantriebs zu hören ist, und heben Sie das Tor manuell an. Um das Tor wieder mit dem Torantrieb zu verbinden, ziehen Sie den Notlösegriff ein zweites Mal gerade nach unten, bis ein Klicken des Torantriebs zu hören ist. Das Tor verbindet sich bei der nächsten Betätigung nach OBEN oder UNTEN wieder.

### TESTEN DER NOTENTRIEGELUNG

1. Stellen Sie sicher, dass das Tor geschlossen ist.
2. Ziehen Sie den Griff an der Notentriegelung und öffnen Sie das Tor von Hand.
3. Schließen Sie das Tor wieder.
4. Ziehen Sie die Notentriegelung ein zweites Mal.
5. Verbinden Sie das Tor wieder mit dem Torantrieb.

## 23 Verwendung Ihres Garagentorantriebs

### FUNKTIONEN

Ihr Garagentorantrieb verfügt über verschiedene Funktionen, die Ihnen mehr Kontrolle über den Betrieb Ihres Garagentores geben.

### SCHLISSWARUNG

Diese Funktion liefert eine visuelle Warnung, dass ein unbeaufsichtigtes Tor schließt.

### SCHLISSFUNKTION TIMER-TO-CLOSE (TTC)

Mit der TTC-Funktion wird das Tor nach einer bestimmten Zeit, die sich mit einer TTC-fähigen Torsteuerung einstellen lässt, geschlossen (benötigt Lichtschranke-Modell 771EV / 772E / 771EVK / G770E). Die MyQ Remote LED blinkt vor dem Schließen und während des Schließvorgangs.

#### TTC-AKTIVIERUNG:

1. Drücken Sie die gelbe Lern-taste (L) 4 Mal.
2. Die gelbe Lern-LED schaltet sich ein.
3. Wechseln Sie mit der UP (U) und DOWN (D) Taste zwischen OFF /1/5/10-Minutenschritten. Die gelbe Lern-LED blinkt bei der Auswahl.  
Zum Beispiel: Wenn Sie 5 Minuten wählen, blinkt die gelbe Lern-LED zur Bestätigung 5 Mal.
4. Speichern Sie die Einstellung mit der rechteckigen Einstelltaste (A) und verlassen Sie den TTC-Programmiermodus. Nach Abschluss der Aktivierung blinkt die MyQ-Remote-LED-Leuchte EINMAL zur Bestätigung. Beim Programmieren der TTC-Funktion müssen Sie die nächste Taste innerhalb von 30 Sekunden betätigen, ansonsten wird die TTC-Aktivierung geschlossen. Wenn der Programmierungstimer abläuft, behält TTC die vorherigen Einstellungen, und die MyQ-Remote-LED-Leuchte blinkt FÜNF Mal.

Zum Verlassen des nicht abgeschlossenen TTC-Programmiermodus drücken Sie bitte noch einmal die Lern-taste (L).

#### TTC-ZEITÄNDERUNG

1. Drücken Sie die Lern-taste (L) 4 Mal.
2. Wechseln Sie mit der UP- (U) und DOWN- (D) Taste zwischen OFF /1/5/10-Minutenschritten. Die gelbe Lern-LED blinkt bei der Auswahl.
3. Speichern Sie die Einstellung mit der rechteckigen Einstelltaste (A) und verlassen Sie den TTC-Programmiermodus.  
Nach Abschluss der Aktivierung blinkt die MyQ-Remote-LED-Leuchte EINMAL zur Bestätigung.

#### TTC-DEAKTIVIERUNG:

1. Drücken Sie die gelbe Lern-taste (L) 4 Mal.
2. Drücken Sie die Einstelltaste einmal, um die Einstellung zu speichern.
3. Nach Abschluss der Deaktivierung blinkt die MyQ-Remote-LED-Leuchte EINMAL zur Bestätigung.  
Wenn TTC aktiv ist, zählt der Timer herunter und die Infrarotstrahlen werden unterbrochen, der TTC-Timer sollte neu gestartet werden.

### MYQ

MyQ ermöglicht Ihnen von überall die Steuerung Ihres Garagentores über Ihr Mobilgerät oder Ihren Computer. Die MyQ-Technologie verwendet ein Funktionssignal zur Zweirichtungskommunikation zwischen Garagentorantrieb und MyQ-fähigem Zubehör. Der Garagentorantrieb verfügt über ein internes Gateway, über das er direkt mit einem Wi-Fi®-Heimnetzwerk kommunizieren und auf Ihren MyQ-Account zugreifen kann.



## LICHTSCHRANKE

Sind die Lichtschranken richtig angeschlossen und ausgerichtet, erkennen sie Hindernisse im Weg ihres Infrarotstrahls. Wenn ein Hindernis den Infrarotstrahl unterbricht, während das Tor geschlossen wird, stoppt das Tor und läuft zurück bis zur vollständigen Öffnung, und die MyQ Remote LED blinkt 10 Mal. Ist das Tor vollständig geöffnet und sind die installierten Lichtschranken falsch ausgerichtet, so lässt sich das Tor nicht über den Handsender schließen. Sie können das Tor jedoch schließen, indem Sie die Taste auf der Torsteuerung oder dem schlüssellosen Zugang gedrückt halten, bis es vollständig geschlossen ist. Die Lichtschranken haben keinen Einfluss auf den Öffnungsvorgang.

## STROMSPAREN

Aus Gründen der Energieeffizienz schaltet der Garagentorantrieb in den Schlafmodus, wenn das Tor vollständig geschlossen ist. Im Schlafmodus ist der Garagentorantrieb bis zur Aktivierung abgeschaltet. Der Schlafmodus ist mit der MyQ Remote LED gekoppelt: Wenn sich das Licht ausschaltet, schalten sich die Sensor-LEDs aus. Sobald sich das Garagentoranschließlicht einschaltet, schalten sich die Sensor-LEDs ein. Der Garagentorantrieb schaltet erst in den Schlafmodus, wenn er nach der Aktivierung 5 Zyklen durchlaufen hat.

## BELEUCHTUNG

Die MyQ Remote LED schaltet sich ein, wenn der Antrieb erstmals eingesteckt wird, die Stromversorgung nach einer Unterbrechung wiederhergestellt wird oder der Garagentorantrieb aktiviert wird. Das Licht schaltet sich nach 4 1/2 Minuten automatisch aus.

## LICHTFUNKTION

Der Garagentorantrieb verfügt über eine Zusatzfunktion: Das Licht wird eingeschaltet, wenn jemand die offene Garage betritt und der Infrarotstrahl unterbrochen wird. Für diese Funktion muß eine Lichtschranke Modell 771EV / 772E / 771EVK / G770E installiert sein.

## BATTERIE-BACKUP (OPTIONAL)

Das Batterie-Backupsystem ermöglicht das Öffnen- und Schließen der Garage bei einem Stromausfall. Wenn der Garagentorantrieb per Batterie betrieben wird, funktioniert er langsamer, das Licht funktioniert nicht, die Batteriestatus-LED leuchtet durchgehend orange, und es ertönt etwa alle 2 Sekunden ein Piepen.

## VERWENDUNG IHRES GARAGENTORANTRIEBS

Der Garagentorantrieb kann über eine an der Wand angebrachte Torsteuerung, einen Handsender, den drahtlosen Zugang ohne Schlüssel oder MyQ-Zubehör bedient werden. Bei Bedienung des Torantriebs über Funksteuerung oder Wandschalter:

- schließt das Tor, wenn es vollständig geöffnet ist
- öffnet das Tor, wenn es vollständig geschlossen ist
- stoppt das Tor, wenn es öffnet oder schließt
- bewegt sich das Tor in die entgegengesetzte Richtung zur letzten Bewegung, wenn es teilweise geöffnet ist.

Erkennt das Tor ein Hindernis oder wird der Öffnungsvorgang unterbrochen, stoppt das Tor. Erkennt das Garagentor beim Schließen ein Hindernis, läuft es zurück. Unterbricht das Hindernis den Sensorstrahl, blinkt die MyQ Remote LED 10 Mal. Sie können das Tor jedoch schließen, indem Sie die Taste auf der Torsteuerung oder dem schlüssellosen Zugang gedrückt halten, bis es vollständig geschlossen ist. Die Lichtschranke haben keinen Einfluss auf den Öffnungsvorgang.

## ZYKLUSZÄHLER. AKTIVIERUNG UND AUSLESEN:

1. Trennen Sie, um in diesen Modus zu gelangen, den Antrieb vom Strom.
2. Halten Sie die Einstelltaste (A) und die Lern Taste (L) bei der Wiederherstellung der Stromversorgung gedrückt.
3. Die LED der „UP“-Pfeiltaste (U) blinkt EINMAL pro tausend VOLLSTÄNDIGEN Zyklen, solange die Einstelltaste (A) und die Lern Taste (L) gedrückt gehalten werden.

Hat der Antrieb beispielsweise 8.756 Zyklen durchgeführt, blinkt die UP-LED 8 Mal.

Zum erneuten Auslösen den Antrieb vom Strom trennen und erneut beginnen.

**Handsender Einlernen (mit 78EV):** Ermöglicht das Einlernen eines Handsenders an die MyQ-Remote LED-Leuchte über die Multifunktionswandkonsole. Gehen Sie zum Programmieren des Senders an die MyQ-Remote-LED-Leuchte folgendermaßen vor:

1. Halten Sie die LIGHT & LOCK-Taste zusammen gedrückt.
2. Drücken Sie, während Sie diese beiden Tasten gedrückt halten, eine der Tasten am Sender und halten Sie sie gedrückt, bis die LED-Leuchte einmal blinkt.
3. Nachdem die LED-Leuchte einmal geblinkt hat, lassen Sie alle Tasten los.

**Urlaubsmodus** (benötigt 78EV). Handsender funktionieren nicht, wenn diese Funktion aktiviert ist. Siehe Anweisungen für 78EV.

**Schlüsselloser Zugang** (benötigt Funk-Codeschloss 747EV): Geben Sie einen vierstelligen Code Ihrer Wahl ein, um das Tor zu bedienen.

**Temporärer Zugang** (benötigt Funk-Codeschloss 747EV): Es kann ein temporärer Code (nach Zeit oder Anzahl) für den Zugang zur Garage programmiert werden.

**Ein-Tasten-Schließfunktion** (benötigt Funk-Codeschloss 747EV): Das Tor lässt sich ohne den Zugangscode von jeder Position aus schließen.

## 24 Verbindung mit Ihrem Smartphone

Der Wi-Fi®-Garagentorantrieb ist mit bis zu 16 MyQ-fähigen Zubehörgeräten kompatibel. Bis zu 10 Geräte lassen sich mit dem internen Gateway des Wi-Fi-Garagentorantriebs pairen. Diese Geräte können über die MyQ-App gesteuert werden. Darunter fallen beliebige Kombinationen von MyQ-Garagentorantrieben, Wi-Fi-Garagentorantrieben, MyQ-Leuchten und MyQ-Torantrieben. Wenn Sie mehr als 10 Geräte mit der MyQ-App steuern möchten, kann ein LiftMaster-Internetgateway (828EV) ergänzt werden. Mit dem Garagentorantrieb an sich lassen sich bis zu 6 Geräte pairen (Steuerung durch Garagentorantrieb). Darunter fallen beliebige Kombinationen von MyQ-Leuchten oder Garagentor- und Türüberwachungen.

### Sie benötigen:

- Wi-Fi-fähiges Smartphone, Tablet oder Laptop
- Breitband-Internetverbindung
- Wi-Fi-Signal in der Garage (2,4 Ghz, 802.11b/g/n erforderlich)
- Passwort für Ihr Heimnetzwerk (Hauptkonto des Routers, kein Gastnetzwerk)
- MyQ-Seriennummer auf dem Garagentorantrieb
- Lichtschranke (optional)
- MyQ Remote-LED-Leuchte (im Lieferumfang)

### SYNCHRONISATION DER TORSTEUERUNG

Zur Synchronisation der Torsteuerung 78EV mit dem Garagentorantrieb drücken Sie die Taste, bis sich der Garagentorantrieb einschaltet (ggf. bis zu 3 Mal drücken). Der Garagentorantrieb muss einen vollständigen Zyklus durchlaufen, bevor die Wi-Fi-Programmierung aktiviert wird.

### VERBINDUNG IHRES GARAGENTORANTRIEBS MIT IHREM WI-FI-HEIMNETZWERK

1. Drücken Sie die gelbe Lern Taste (L) am Garagentorantrieb 3 Mal. Der Garagentorantrieb piept ein Mal. Sie haben 20 Minuten, um den Verbindungsvorgang abzuschließen.
2. Gehen Sie auf Ihrem Mobilgerät in Einstellungen > Wi-Fi und wählen Sie das Netzwerk, das mit „MyQ“ beginnt.
3. Starten Sie den Internetbrowser auf Ihrem Smartphone oder Tablet. Geben Sie in die Adresszeile Ihres Browsers `setup.myqdevice.com` ein. Folgen Sie den angezeigten Anweisungen, um den Garagentorantrieb mit Ihrem Wi-Fi-Netzwerk zu verbinden. Die MyQ-Seriennummer wird auf dem Bildschirm angezeigt. Tragen Sie die Seriennummer unten ein.

4. Laden Sie die MyQ-App aus dem App Store® oder Google Play™ Store herunter. Melden Sie sich in Ihrem MyQ-Konto an und fügen Sie die MyQ-Seriennummer zu Ihrem Konto hinzu.

Um einen weiteren Wi-Fi-Garagentorantrieb hinzuzufügen, wiederholen Sie die Schritte 1-3. Fügen Sie die zweite MyQ-Seriennummer zu Ihrem Konto in der MyQ-App hinzu.

*HINWEIS: Die MyQ-Smartphonesteuerung funktioniert NICHT, wenn der Garagentorantrieb per Batterie betrieben wird. Zum Löschen der Wi-Fi-Einstellungen siehe Seite 15.*

Eine LED (A) am Garagentorantrieb zeigt den Wi-Fi-Status an. Siehe Tabelle unten

LED	DEFINITION
BLAU	Aus - Wi-Fi ist nicht eingeschaltet. Blinkt - Garagentorantrieb ist im Wi-Fi-Lernmodus. Leuchtet - Mobilgerät ist mit dem Garagentorantrieb verbunden.
BLAU UND GRÜN	Blinkt - Verbindungsherstellung zum Router.
GRÜN	Blinkt - Verbindungsherstellung zum Internetserver. Leuchtet - Wi-Fi ist eingerichtet und Garagentorantrieb ist mit dem Internet verbunden.

---

## **25** Programmierung von Handsender / Funk-Wandtaster / Funk-Codeschloss (optional)

Aktivieren Sie den Antrieb nur, wenn das Tor vollständig einsehbar, frei von Hindernissen und richtig eingestellt ist. Während das Tor in Bewegung ist, darf niemand die Garage betreten oder verlassen. Lassen Sie Kinder keine Drucktaster oder Sender bedienen. Lassen Sie Kinder nicht in der Nähe des Tores spielen. Der Empfänger Ihres Garagentorantriebs und einer der Handsender sind vorprogrammiert. Wenn Sie zusätzliche Handsender kaufen, muss der Garagentorantrieb so programmiert werden, dass er den neuen Handsender erkennt.

### PROGRAMMIERUNG DES EMPFÄNGERS FÜR ZUSÄTZLICHE HANDSENDER MIT DER GELBEN RUNDTASTE

1. Drücken Sie die gelbe Lerntaste (L) am Antrieb. Die Lern-LED leuchtet 30 Sekunden lang durchgehend.
2. Drücken Sie innerhalb von 30 Sekunden die Taste des Handsenders, mit der Sie das Garagentor bedienen möchten, und halten Sie sie gedrückt.
3. Lassen Sie die Taste los, wenn die MyQ Remote LED einmal blinkt. Der Code wurde einprogrammiert. Der Antrieb lässt sich nun durch Drücken der Handsendertaste betätigen. Wenn Sie die Handsendertaste loslassen, bevor die MyQ Remote LED blinkt, wird der Code nicht einprogrammiert.

### SCHLÜSSELLOSER ZUGANG

1. Drücken Sie die gelbe Lerntaste (L) am Antrieb. Die Lern-LED leuchtet 30 Sekunden lang durchgehend.
2. Geben Sie am Funk-Codeschloss eine frei wählbare vierstellige persönliche Identifikationsnummer (PIN) ein.
3. Drücken Sie die ENTER-Taste.
4. Die MyQ Remote LED blinkt (oder es ist zwei Mal ein Klicken zu hören), wenn der Code einprogrammiert ist. Wiederholen Sie die vorstehenden Schritte, um zusätzliche Handsender oder schlüssellose Zugangsgeräte zu programmieren. Wenn die Programmierung nicht funktioniert, programmieren Sie den Sender mit der Lerntaste.

### LÖSCHEN ALLER HANDSENDER-CODES

Zur Deaktivierung von Sendern löschen Sie erst alle Codes: Halten Sie die gelbe Lerntaste (L) am Antrieb gedrückt, bis sich die Lern-LED ausschaltet (etwa 10 Sekunden). Nun sind alle programmierte Codes gelöscht. Programmieren Sie alle Sender oder schlüssellosen Zugänge, die Sie verwenden möchten, neu.

---

## **26** Programmierung der MyQ-Remote LED-Leuchte

Ihre MyQ-Remote LED-Leuchte wurde werkseitig bereits für den Betrieb mit Ihrem Antrieb programmiert. Zusatz- oder Ersatzleuchten müssen programmiert werden.

### PROGRAMMIERUNG EINES TORANTRIEBS FÜR MYQ-REMOTE-LED-LEUCHE:

1. Drücken Sie die Lerntaste (L) an der Leuchte, bis sich die grüne LED einschaltet.
2. Drücken Sie die Lerntasten (L) am Torantrieb.
3. Der Code wurde programmiert, wenn die MyQ-Remote-Leuchte einmal blinkt.

### PROGRAMMIERUNG EINES HANDSENDERS FÜR MYQ-REMOTE-LED-LEUCHE:

1. Drücken Sie die Lerntaste (L) an der Leuchte, bis sich die grüne LED einschaltet.
2. Drücken Sie die Handsender-Taste, mit der Sie die Leuchte bedienen möchten.
3. Der Code wurde programmiert, wenn die MyQ-Remote-Leuchte einmal blinkt.

Zur Programmierung der Leuchte mit anderem Zubehör schlagen sie im Handbuch des Zubehörs nach.

### HINZUFÜGEN DER MYQ-REMOTE-LED-LEUCHE ZUM MYQ-KONTO

1. Drücken Sie die Lerntaste (L) an der Leuchte, bis sich die grüne LED einschaltet.
2. Loggen Sie sich in die MyQ-App ein und fügen Sie die MyQ-Remote-LED-Leuchte hinzu.

### LÖSCHEN DER GESAMTEN PROGRAMMIERUNG DER MYQ-REMOTE-LED-LEUCHE

1. Halten Sie die Lerntaste (L) gedrückt, bis sich die LED ausschaltet (6-10 Sekunden). Nun ist die gesamte Programmierung gelöscht.

---

## 27 Löschen des Speichers

### LÖSCHEN ALLER HANDSENDER UND SCHLÜSSELLOSEN ZUGÄNGE

1. Halten Sie die Lerntaste (L) am Garagentorantrieb gedrückt, bis sich die Lern-LED ausschaltet (etwa 6 Sekunden). Nun sind alle Handsender und schlüssellosen Zugänge gelöscht. Programmieren Sie alle Sender, die Sie verwenden möchten, neu.

### LÖSCHEN ALLER GERÄTE (EINSCHLIESSLICH MYQ-FÄHIGES ZUBEHÖR)

1. Halten Sie die Lerntaste (L) am Garagentorantrieb gedrückt, bis sich die Lern-LED ausschaltet (etwa 6 Sekunden).
2. Drücken Sie sofort erneut die Lerntaste und halten Sie sie gedrückt, bis sich die Lern-LED ausschaltet. Nun sind alle Codes gelöscht. Programmieren Sie alle Zubehörgeräte, die Sie verwenden möchten, neu.

### LÖSCHEN DES WI-FI-NETZWERKS VOM GARAGENTORANTRIEB

1. Drücken Sie die Einstelltaste (A) am Garagentorantrieb und halten Sie sie gedrückt, bis 3 Pieptöne zu hören sind (etwa 6 Sekunden).

### LÖSCHEN EINES MYQ-KONTOS

Gehen Sie zum Löschen Ihres MyQ-Kontos auf [myliftmaster.eu](http://myliftmaster.eu).

---

## 28 Wartung und Pflege Ihres Garagentorantriebs

### WARTUNGSPLAN

#### MONATLICH

- Betätigen Sie das Tor von Hand. Wenn es nicht ausbalanciert oder schwergängig ist, rufen Sie einen ausgebildeten Torsystemtechniker.
- Überprüfen Sie, dass das Tor sich vollständig öffnet und schließt. Passen Sie bei Bedarf die Endpositionen an (siehe Punkt 20 „Programmierung des Laufwegs“).
- Wiederholen Sie den Test des Sicherheitsrücklaufs. Nehmen Sie die notwendigen Anpassungen vor (siehe Punkt 21 „Test des Sicherheitsrücklaufs“).

#### JÄHRLICH

- Ölen Sie die Torrollen, Lager und Gelenke. Der Garagentorantrieb benötigt keine zusätzliche Schmierung. Fetten Sie die Torschienen nicht.

### MYQ-REMOTE LED-LEUCHE

- Ziehen Sie vor der Reinigung den Stecker der Leuchte aus der Steckdose.
- Verwenden Sie zur Reinigung einen angefeuchteten Lappen.
- Verwenden Sie für die Leuchtenlinse KEINE Flüssigreiniger.

---

## 29 Austausch der Handsender-Batterien

### Handsender-Batterie:

Die Batterien im Handsender sind äußerst langlebig. Nimmt die Reichweite ab, müssen die Batterien ausgetauscht werden. Die Batterien fallen nicht unter die Garantie.

### Bitte beachten Sie folgende Anweisungen zur Batterie:

Batterien sind nicht als Haushaltsabfälle zu behandeln. Alle Verbraucher sind gesetzlich verpflichtet, Batterien ordnungsgemäß an ausgewiesenen Sammelstellen zu entsorgen. Laden Sie niemals nicht zum Aufladen bestimmte Batterien wieder auf.

### Explosionsgefahr!

Halten Sie Batterien von Kindern fern, schließen Sie sie nicht kurz und bauen Sie sie nicht auseinander. Suchen Sie bei Verschlucken einer Batterie unverzüglich einen Arzt auf. Wenn erforderlich, reinigen Sie die Kontakte der Batterie und Geräte vor dem Laden. Entfernen Sie leere Batterien unverzüglich aus dem Gerät!

### Erhöhte Auslaufgefahr!

Setzen Sie Batterien niemals großer Hitze, wie Sonneneinstrahlung, Feuer oder Ähnlichem aus!

Es besteht erhöhte Auslaufgefahr!

Vermeiden Sie den Kontakt mit Haut, Augen und Schleimhäuten. Spülen Sie die betroffenen Körperteile mit viel kaltem Wasser und wenden Sie sich umgehend an einen Arzt. Verwenden Sie nur Batterien des gleichen Typs. Entnehmen Sie die Batterien, wenn das Gerät längere Zeit nicht verwendet wird.

### Batterieaustausch:

Zum Austausch der Batterie drehen Sie den Handsender um und öffnen das Gehäuse mit einem Schraubenzieher. Heben Sie die Abdeckung und die Schalltafel darunter an. Schieben Sie die Batterie zur Seite und entnehmen Sie sie. Achten Sie auf die Polarität der Batterie! Setzen Sie das Ganze in umgekehrter Reihenfolge wieder zusammen.

### ACHTUNG!

Bei inkorrektem Austausch der Batterie besteht Explosionsgefahr. Austausch nur gegen identischen oder entsprechenden Typ (CR2032) 3V.

## 30 Entsorgung

Die Verpackung ist in lokalen Recyclingtonnen zu entsorgen. Gemäß der europäischen Richtlinie 2002/96/EG über Elektro-Altgeräte ist dieses Gerät nach der Verwendung ordnungsgemäß zu entsorgen, um das Recycling der Materialien sicherzustellen.



Alte Akkus und Batterien dürfen, da sie Schadstoffe enthalten, nicht im Haushaltsmüll entsorgt werden, sondern müssen ordnungsgemäß an kommunalen Sammelstellen oder in vom Händler bereitgestellten Behältern entsorgt werden. Die landesspezifischen Bestimmungen sind einzuhalten. Die Komponenten sind von einem Abfallentsorgungsbetrieb ordnungsgemäß zu entsorgen. Die entsprechenden lokalen und landesspezifischen Bestimmungen sind ebenfalls einzuhalten. Nicht länger benötigte Antriebskomponenten dürfen nicht im Haushaltsmüll entsorgt werden.

Die zuständige Stelle (Städte und Gemeinden) oder ihr Entsorgungsbetrieb informieren Sie über die Entsorgungsmöglichkeiten.

## 31 Diagnosetabelle

Ihr Garagentorantrieb verfügt über die Fähigkeit zur Selbstdiagnose.

Die Diagnosecodes werden durch Blinken der UP- und DOWN-Pfeile des Garagentorantriebs angezeigt.

DIAGNOSECODE		SYMPTOM	LÖSUNG
Up-Taste Blinken	Down-Taste Blinken		
1	1	Der Antrieb schließt das Garagentor nicht und die Leuchte blinkt.	Wenn Lichtschanke eingebaut sind, sind sie möglicherweise nicht verbunden oder Kabel sind durchtrennt. Überprüfen Sie, ob das Lichtschankenkabel nicht verbunden oder durchtrennt sind.
1	2	Der Antrieb schließt das Garagentor nicht und die Leuchte blinkt.	Kurzschluss oder falsch angeschlossenes Kabel der Lichtschanke. Überprüfen Sie das Lichtschankenkabel an allen Befestigungs- und Anschlusspunkten, und nehmen Sie die erforderlichen Austausch- oder Korrekturmaßnahmen vor.
1	3	Die Torsteuerung funktioniert nicht.	Die Kabel für die Torsteuerung haben einen Kurzschluss oder die Torsteuerung ist fehlerhaft. Überprüfen Sie die Torsteuerungskabel an allen Befestigungs- und Anschlusspunkten, und nehmen Sie die erforderlichen Austausch- oder Korrekturmaßnahmen vor.
1	4	Der Antrieb schließt das Garagentor nicht und die Leuchte blinkt.	Wenn Lichtschanke eingebaut sind, sind sie falsch ausgerichtet oder momentan versperrt. Richten Sie beide Sensoren neu aus, um sicherzustellen, dass die LEDs durchgängig leuchten und nicht flackern. Vergewissern Sie sich, dass nichts am Tor hängt oder befestigt ist, das beim Schließen die Lichtschanke stört.
1	5	Tor bewegt sich 15-20 cm, stoppt oder läuft zurück	Öffnen und schließen Sie das Tor manuell. Untersuchen Sie das Tor auf Schwergängigkeit oder Hindernisse, wie gebrochene Feder oder defektes Torschloss, und beheben Sie die Ursache. Überprüfen Sie die Kabelverbindungen am Laufmodul und an der Steuerung. Tauschen Sie bei Bedarf das Laufwegmodul aus.
1	5	Keine Bewegung, nur ein einziges Klicken.	Öffnen und schließen Sie das Tor manuell. Untersuchen Sie das Tor auf Schwergängigkeit oder Hindernisse, wie gebrochene Feder oder defektes Torschloss, und beheben Sie die Ursache. Tauschen Sie bei Bedarf die Steuerung aus.
1	5	Der Antrieb summt 1-2 Sekunden, keine Bewegung.	Öffnen und schließen Sie das Tor manuell. Untersuchen Sie das Tor auf Schwergängigkeit oder Hindernisse, wie gebrochene Feder oder defektes Torschloss, und beheben Sie die Ursache. Tauschen Sie bei Bedarf den Motor aus.
1	6	Tor rollt aus, nachdem es vollständig gestoppt hat.	Programmieren Sie den Laufweg zur Ausrollposition oder lassen Sie das Tor durch einen ausgebildeten Techniker ausbalancieren.
2	1-5	Keine Bewegung und kein Geräusch.	Tauschen Sie die Steuerung aus.
3	1	Der Garagentorantrieb öffnet das Tor ein wenig und stoppt dann.	Aktivieren Sie den Garagentorantrieb erneut. Besteht das Problem weiterhin, tauschen Sie die Steuerung aus.
3	3	Die Batteriestatus-LED blinkt durchgehend grün.	Fehler des Batteriebackup-Ladekreises, tauschen Sie die Steuerung aus.

DIAGNOSECODE	SYMPTOM	LÖSUNG
Up-Taste Blinken	Down-Taste Blinken	
3	5	Der Antrieb schließt das Garagentor nicht oder das Tor läuft in der Bewegung zurück.
		Waren zuvor zwei Schließseilschalter montiert und wurde einer entfernt, ziehen Sie drei Mal den Stecker des Antriebs und stecken Sie ihn wieder ein, um den Schalter einzulernen. <ul style="list-style-type: none"> <li>• Entfernen Sie gegebenenfalls Hindernisse des Tores</li> <li>• Überprüfen Sie, dass der Schließseilschalter richtig mit dem Antrieb verbunden ist.</li> <li>• Tauschen Sie den Schließseilschalter aus.</li> </ul>
4	1-4	Tor bewegt sich, stoppt oder läuft zurück.
		Öffnen und schließen Sie das Tor manuell. Untersuchen Sie das Tor auf Schwergängigkeit oder Hindernisse, wie gebrochene Feder oder defektes Torschloss, und beheben Sie die Ursache. Wenn das Tor schwergängig ist oder klemmt, rufen Sie einen ausgebildeten Torsystemtechniker. Wenn das Tor nicht schwergängig ist oder klemmt, versuchen Sie den Laufweg neu zu programmieren.
4	5	Antrieb bewegt sich etwa 15-20 cm, stoppt und läuft zurück.
		Kommunikationsfehler mit Laufwegmodul. Überprüfen Sie die Laufwegmodul-Verbindungen, tauschen Sie das Modul bei Bedarf aus.
4	6	Der Antrieb schließt das Garagentor nicht und die Leuchte blinkt.
		Die Lichtschanke ist falsch ausgerichtet oder momentan versperrt. Richten Sie beide Sensoren neu aus, um sicherzustellen, dass die LEDs durchgängig leuchten und nicht flackern. Vergewissern Sie sich, dass nichts am Tor hängt oder befestigt ist, das beim Schließen den Sensorweg stört.
5	5	Das Tor schließt sich bei Verwendung der Timer-to-Close-Funktion oder der MyQ-Smartphone-Steuerung nicht.
		Die MyQ-Remote-LED-Leuchte muss zur Verwendung von TTC oder MyQ zur Steuerung des Tores installiert sein. Schließen Sie die MyQ-Remote-LED-Leuchte an und stellen Sie sicher, dass sie für den Garagentorantrieb programmiert ist.

## 32 Fehlerbehebung

### Der Garagentorantrieb lässt sich weder über die Torsteuerung noch über den Handsender betätigen:

- Hat der Garagentorantrieb Strom? Schließen Sie eine Lampe an die Steckdose an. Wenn sie nicht leuchtet, prüfen Sie die Sicherung oder den Trennschalter. (Manche Steckdosen werden über einen Wandschalter gesteuert.)
- Haben Sie alle Torschlösser deaktiviert? Gehen Sie die Installationsanweisungen auf Seite 5 durch.
- Sind die Kabelverbindungen korrekt?
- Hat sich Eis oder Schnee unter dem Tor angesammelt? Das Tor ist möglicherweise am Boden festgefroren. Entfernen Sie sämtliche Behinderungen.
- Eventuell ist die Feder des Garagentores defekt. Lassen Sie sie austauschen (siehe Punkt 3 Planung).

### Das Tor lässt sich über den verkabelten Wandtaster, aber nicht über den Handsender betätigen.

- Programmieren Sie den Handsender neu und tauschen Sie bei Bedarf die Batterie aus. Mit allen Handsendern wiederholen.

### Das Tor öffnet und schließt sich von alleine:

- Stellen Sie sicher, dass kein Handsender ungewollt betätigt wurde.
- Entfernen Sie die Klingeldraht vom Wandtaster und bedienen Sie das Tor nur über den Handsender. Wenn das Problem damit behoben ist, ist der verkabelte Wandtaster fehlerhaft oder das Kabel hat einen Kurzschluss.
- Löschen Sie den Speicher und programmieren Sie alle Handsender neu.

### Der Handsender aktiviert das Garagentor nicht:

- Überprüfen Sie, dass die Sperrfunktion an der Torsteuerung nicht aktiviert ist.
- Programmieren Sie den Handsender neu.
- Lässt sich das Tor immer noch nicht über den Handsender aktivieren, überprüfen Sie die Diagnosecodes, um sicherzustellen, dass der Garagentorantrieb einwandfrei funktioniert.

### Der Handsender hat eine kurze Reichweite:

- Ändern Sie die Position des Handsenders.
- Manche Anlagen haben aufgrund von Metalltoren, Folienisolierung oder Metallverkleidungen der Garage eine kürzere Reichweite.

**Das Tor öffnet sich nicht vollständig:**

- Überprüfen Sie das elektrische Torschloss.
- Wird das Tor blockiert? Ist es nicht ausbalanciert oder sind die Federn gebrochen? Entfernen Sie die Hindernisse oder reparieren Sie das Tor.

**Das Tor öffnet sich, aber schließt sich nicht:**

- Überprüfen Sie, dass der Schließseilschalter richtig installiert ist. Wenn ein Schließseilschalter entfernt wurde, folgen Sie den Anweisungen zum Einlernen eines Schließseilschalters (siehe Punkt 14).
- Die Lichtschränke muß vor dem Herunterfahren des Garagentorantriebs verbunden und ordnungsgemäß ausgerichtet sein. Wenn Sie das Tor mit konstantem Druck schließen können, überprüfen Sie, dass die Lichtschränke richtig installiert, ausgerichtet und frei von Hindernissen sind.
- Wenn die MyQ Remote LED Leuchte blinkt, überprüfen Sie die Lichtschränke.
- Wenn die MyQ Remote LED Leuchte nicht blinkt und es sich um eine neue Anlage handelt (siehe Punkt 14). Für bestehende Anlagen siehe unten. Wiederholen Sie nach der Anpassung den Test des Sicherheitsrücklaufs.

**Das Tor läuft ohne erkennbaren Grund zurück und die MyQ Remote LED Leuchte blinkt nicht:**

- Überprüfen Sie, dass der Schließseilschalter richtig installiert ist. Wird einer der Schließseilschalter entfernt, trennen Sie beide Schalter vom Antrieb. Stecken Sie dann den Schalter, den Sie verwenden möchten ein, und stecken Sie den Antrieb drei Mal aus und wieder ein, um den Schalter einzulernen. Der bereitgestellte 1k-Widerstand dient ausschließlich zur Problembehandlung bei der Einrichtung des Schließseilschalters. Gemäß EN12453 ist zur einwandfreien Erkennung durchhängender Seile ein Schließseilschalter zu installieren.
  - Wird das Tor blockiert? Ziehen Sie die Notentriegelung. Betätigen Sie das Tor manuell. Wenn es nicht ausbalanciert oder schwergängig ist, rufen Sie einen ausgebildeten Torsystemtechniker.
  - Entfernen Sie im Schließbereich des Tores Schnee und Eis vom Boden.
  - Gehen Sie Punkt 20 durch.
- Wiederholen Sie den Test des Sicherheitsrücklaufs nach den Einstellungen.

**Das Tor schließt sich nicht und die MyQ Remote LED Leuchte blinkt:**

Die Lichtschränke muß vor dem Herunterfahren des Garagentorantriebs verbunden und ordnungsgemäß ausgerichtet sein.

- Überprüfen Sie, dass die Lichtschränke richtig installiert, ausgerichtet und frei von Hindernissen sind.

**Der Garagentorantrieb hat Mühe, das Tor zu bewegen:**

Das Tor ist möglicherweise nicht ausbalanciert oder die Federn sind gebrochen. Schließen Sie das Tor und trennen Sie es mit der Notentriegelung. Öffnen und schließen Sie das Tor manuell. Ein richtig ausbalanciertes Tor stoppt an jedem beliebigen Punkt des Laufwegs. Wenn das Tor dies nicht tut, trennen Sie den Garagentorantrieb ab und rufen Sie einen ausgebildeten Torsystemtechniker.

**Der Garagentormotor summt kurz und funktioniert dann nicht:**

- Eventuell sind die Federn des Garagentores kaputt. Siehe oben.
- Wenn das Problem bei der ersten Betätigung des Garagentorantriebs auftritt, ist das Tor eventuell abgeschlossen. Deaktivieren Sie das elektrische Torschloss.

**Der Garagentorantrieb funktioniert aufgrund eines Stromausfalls nicht:**

- Öffnen Sie das elektrische Torschloss manuell.
- Trennen Sie das Tor mit der Notentriegelung ab. Das Tor lässt sich manuell öffnen und schließen. Ziehen Sie die Notentriegelung nach der Wiederherstellung der Stromversorgung ein zweites Mal.
- Deaktivieren Sie die Torschlösser. Trennen Sie das Tor mit dem Notentriegelung ab. Das Tor lässt sich manuell öffnen und schließen.

**Endpunkte für Tor AUF und ZU gehen verloren:**

- Kupplung nicht fest angezogen. Ziehen Sie die Kupplung an und programmieren Sie die Endpunkte neu (siehe Punkt 20).

**Der Garagentorantrieb bewegt sich, wenn das Tor betätigt wird:**

- Eine leichte Bewegung ist bei diesem Produkt normal. Eine zu starke Bewegung führt zu einem vorzeitigen Verschleiß der Kupplung.
- Stellen Sie sicher, dass sich die Welle nicht zu stark in Links-Rechts-Richtung bewegt.
- Stellen Sie sicher, dass sich die Welle bei der Drehung nicht sichtbar nach oben und unten bewegt.
- Überprüfen Sie, dass der Antrieb im rechten Winkel zur Welle angebracht ist. Verändern Sie andernfalls die Position der Montagehalterung.

**Der Anschluss des automatischen Torschlusses passt nicht in den Torantrieb:**

Ältere 24V-Torschlossmodelle sind nicht kompatibel. Verwenden Sie das automatische Torschlossmodell 841EU, siehe Zubehör-Seite.

**Das automatische Torschloss wird nicht aktiviert, wenn sich das Garagentor öffnet oder schließt:**

- Im Batterie-Backupmodus wird das automatische Garagentorschloss entriegelt, wenn das Garagentor geöffnet wird, und bleibt deaktiviert, bis die Stromversorgung wiederhergestellt ist.

**Der Torantrieb blinkt:**

- Zeigt ein unbeaufsichtigtes Schließen an. Der Antrieb wurde über die MyQ-App oder den Garagen- und Torwächter aktiviert.
- Eine durchgehend orange leuchtende LED und ein Piepton etwa alle 2 Sekunden zeigen an, dass der Torantrieb über die Batterie versorgt wird.
- Eine blinkende orange LED und ein Piepton alle 30 Sekunden zeigen einen niedrigen Batteriestand an.
- Eine durchgehend rot leuchtende LED und ein Piepton alle 30 Sekunden zeigen an, dass die 12V-Batterie leer ist und ausgetauscht werden muss.

**Der Garagentorantrieb piept und die rote LED blinkt:**

Die Batterieladung ist niedrig oder die Batterie ist leer.

- Tauschen Sie die Batterie aus.

**MyQ-Smartphonesteuerung, drahtlose MyQ-Geräte und Timer-To-Close funktionieren nicht:**

- Im Batterie-Backupmodus sind die MyQ-Smartphonesteuerung, drahtlose MyQ-Geräte und Timer-to-Close deaktiviert.
- Die MyQ-Remote-LED-Leuchte muss installiert sein, damit die Timer-to-Close-Funktion oder die MyQ-Smartphonesteuerung des Tores verwendet werden kann. Schließen Sie die MyQ-Remote-LED-Leuchte an und stellen Sie sicher, dass sie für den Garagentorantrieb programmiert ist. Es kann bis zu 5 Minuten dauern, bevor die Timer-to-Close-Funktion und die MyQ-Smartphonesteuerung bereit sind.



### 33 Optionales Zubehör

Verwenden Sie nur LiftMaster-Zubehör.  
Fremdprodukte können zu Fehlfunktionen führen.

1.	TX4UNIF	4-Kanal Universal-Handsender
2.	TX4EVS	4-Kanal Handsender
3.	TX4UNI/S	4-Kanal Universal-Handsender
4.	128EV	Funkwandtaster, 2-Kanal
5.	747EV	Codeschloss
6.	78EV	Verkabelte Multifunktionswandkonsole
7.	FLA-1LED	Blinkleuchte
8.	772E	Lichtschranke
9.	100034	Schlüsselschalter (eingebaut)
10.	100041	Schlüsselschalter (aufgesetzt)
11.	829EV	Garagentorwächter
12.	485EU	Batteriebackup
13.	827EV	MyQ-Remote-LED-Leuchte:
14.	041A9264	Schlaffseilschalter
15.	841EU	Automatisches Torschloss

### 34 Technische Daten

Eingangsspannung	230-240 VAC, 50 Hz
Max. Drehmoment	36 Nm - AC + BATTERIE 29 Nm - nur AC
Nenn Drehmoment	10 Nm
Strom	150 W
Standby (bei Tor ZU)	2,6 W
Motortyp	DC Getriebemotor mit Dauerschmierung
Geräuschpegel	57 dB
Laufgeschwindigkeit	21 U/min (runter), 36 U/min (hoch)
Sicherheitsfunktionen	Tastendruck und automatischer Stopp bei Abwärtslauf / Tastendruck und automatischer Stopp bei Aufwärtslauf.
Elektronisch	Automatische Krafteinlernung
Elektrisch	Trafo-Überlastschutz und NS-Druckastastverkabelung.
Begrenzungsvorrichtung	Optischer Drehzahlmesser / Passpunkt-Detektor.
Endschalter	Elektronisch, halb- und vollautomatisch.
Anlaufschaltung	NS-Druckastastenschaltung.
Max. Torhöhe	3 m
Max. Torbreite	5,5 m
Max. Torbereich	16,5 m <sup>2</sup>
Max. Torgewicht	130 kg
Hängendes Gewicht	11 kg
Empfänger-Speicherregister	64
Betriebsfrequenz	433 / 868 MHz, 2,4 GHz

## 35 Sicherheits- und Wartungsleitfaden für automatischen Garagentorantrieb.

### SICHERHEIT DES GARAGENTORANTRIEBS – EINE EINFACHE ENTSCHEIDUNG

**Garagentore sind die größten beweglichen Gegenstände im Haus. Nicht richtig eingestellte Garagentore und Antriebe können beim Schließen des Tores tödliche Kraft entfalten – was dazu führen kann, dass Kinder oder Erwachsene eingeklemmt und verletzt oder getötet werden.**

Damit das System sicher und störungsfrei ist, sind das Garagentor und der automatische Antrieb ordnungsgemäß zu installieren, betreiben, warten und testen. Eine leichtsinnige Bedienung oder Kinder, die mit den Steuerungen des Garagentorantriebs spielen oder diese verwenden, stellen Gefahren dar und können tragische Folgen haben. Mit einigen einfachen Vorkehrungen können Sie Ihre Familie und Freunde vor möglichen Verletzungen schützen. Bitte lesen Sie die Sicherheits- und Wartungstipps in dieser Broschüre sorgfältig und bewahren Sie diese zum Nachschlagen auf. Überprüfen Sie die Funktion Ihres Garagentores und Antriebs, um sicherzustellen, dass sie sicher und störungsfrei funktionieren. Lesen Sie alle wichtigen Sicherheitsinformationen im Handbuch des Garagentorantriebs, da es mehr Details und Sicherheitsfragen als diese Broschüre enthält.

Garagentorantriebe sind kein Spielzeug

**Sprechen Sie mit Ihren Kindern über Sicherheit in Zusammenhang mit dem Garagentor und dem Antrieb. Erklären Sie ihnen die Gefahr, vom Tor eingeklemmt zu werden.**



**Halten Sie sich vom Tor in Bewegung fern.**



**Bewahren Sie Handsender außerhalb der Reichweite von Kindern auf.** Lassen Sie Kinder nicht mit Sendern oder Handsendern spielen oder diese verwenden.



**Der an der Wand montierte Drucktaster sollte sich außerhalb der Reichweite von Kindern befinden, mindestens in einer Höhe von 1,5 m und nicht in der Nähe von beweglichen Teilen sein.** Montieren und verwenden Sie den Taster so, dass Sie das Schließen des Garagentores einwandfrei sehen können.



**Behalten Sie das Tor im Auge, bis es vollständig geschlossen ist, wenn Sie den an der Wand montierten Drucktaster oder Sender verwenden.**

## 36 Regelmäßige Wartung kann tragische Ereignisse verhindern

Führen Sie regelmäßig monatliche Inspektionen und Tests Ihres Garagentor- und Antriebssystems durch. Lesen Sie die Bedienungsanleitung für das Tor und den Torantrieb. Wenn Sie die Bedienungsanleitungen nicht haben, wenden Sie sich an den/die Hersteller und fordern Sie eine Ausgabe für Ihr(e) spezifisches/n Modell(e) an. Die Modellnummer des Antriebs findet sich auf der Rückseite der Antriebseinheit.



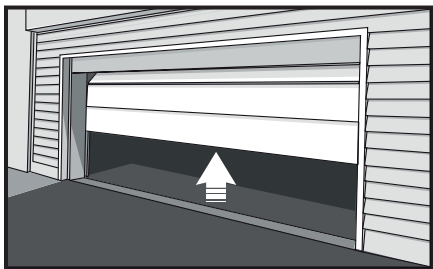
**WARNUNG – Federn stehen unter hoher Spannung.  
Sie dürfen nur von qualifizierten Personen eingestellt werden.**

### Sichtprüfung des Tores und der Anlage:



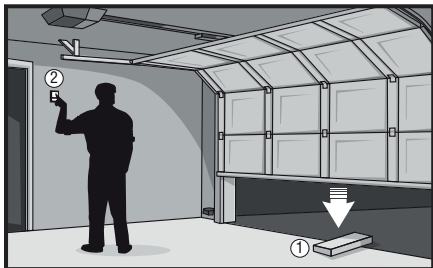
- Trennen Sie das Tor in geschlossener Stellung mit der Notentriegelung ab.
- Überprüfen Sie die Gelenke, Rollen, Federn und Torelemente auf Anzeichen von Verschleiß oder Schäden.
- Diese Teile sind eventuell regelmäßig zu schmieren. Vorschläge zur Wartung sind der Bedienungsanleitung zu entnehmen.
- Bei Anzeichen von Schäden rufen Sie einen ausgebildeten Torsystemtechniker zur Hilfe.
- Überprüfen Sie, dass sich die Lichtschranke maximal 15 cm über dem Garagenboden befindet.

### Test des ordnungsgemäßen Torbetriebs:



- Öffnen und schließen Sie das Tor von Hand mit den Griffen oder geeigneten Griffpunkten manuell.
- Das Tor sollte sich ohne Schwierigkeiten frei bewegen.
- Das Tor sollte ausbalanciert sein und etwa 1 m über dem Boden teilweise geöffnet bleiben.
- Bei Anzeichen für einen nicht ordnungsgemäßen Betrieb rufen Sie einen ausgebildeten Torsystemtechniker zur Hilfe.

### Test der Sicherheitsfunktionen des Antriebs:



- Legen Sie ein 40 mm hohes Brett flach in den Weg des Tores (1) und versuchen Sie es zu schließen (2). Wenn das Tor mit dem Brett in Kontakt kommt, muss es stoppen und dann zurücklaufen.
- Blockieren Sie die Lichtschranke, indem Sie einen Gegenstand davor halten, und versuchen Sie das Tor zu schließen. Das Tor darf sich nicht schließen, außer wenn der Drucktaster an der Wand während des Vorgangs von Hand gedrückt gehalten wird.
- Wenn der Antrieb nicht wie beschrieben funktioniert, rufen Sie einen ausgebildeten Torsystemtechniker zur Hilfe.

## Remarque :

La notice d'installation et de montage originale a été rédigée en anglais.

Toutes les autres langues disponibles sont traduites depuis la version d'origine anglaise.

<b>1</b>	Directives de sécurité générales .....	2
<b>2</b>	Utilisation conforme .....	3
<b>3</b>	Planification de l'automatisation de la porte .....	3
<b>4</b>	Planification pour l'utilisation de MyQ .....	4
<b>5</b>	Préparation de votre porte de garage.....	4
<b>6</b>	Outils nécessaires .....	4
<b>7</b>	Contenu de l'emballage.....	5
<b>8</b>	Accessoires nécessaires .....	5
<b>9</b>	Fixer le collet au système d'ouverture de porte de garage.....	5
<b>10</b>	Fixer la console de montage au système d'ouverture de porte de garage.....	5
<b>11</b>	Positionner et monter le système d'ouverture de porte de garage.....	6
<b>12</b>	Fixer la corde de déverrouillage de secours et la poignée.....	6
<b>13</b>	Installer le verrouillage de porte automatique.....	7
<b>14</b>	Fixer le capteur de tension de câble (041A92642) (accessoire obligatoire).....	7
<b>15</b>	Installer le voyant à LED de la télécommande MyQ (adapté uniquement aux locaux secs).....	8
<b>16</b>	Branchement électrique.....	8
<b>17</b>	Installation de cellules lumineuses .....	8
<b>18</b>	Branchement des énergies.....	9
<b>19</b>	Installez la sauvegarde de batterie (accessoires optionnel).....	9
<b>20</b>	Programmer la course .....	10
<b>21</b>	Essais du système d'inversion de marche de sécurité.....	10
<b>22</b>	Pour ouvrir la porte à la main .....	11
<b>23</b>	Utilisation du système d'ouverture de porte de garage .....	11
<b>24</b>	Connexion au smartphone .....	13
<b>25</b>	Programmation du système d'ouverture et de la télécommande / Bouton-poussoir sans fil / Pavé de touches sans fil (option).....	14
<b>26</b>	Programmation de l'éclairage LED déporté MyQ.....	14
<b>27</b>	Suppression de la mémoire.....	15
<b>28</b>	Maintenance de votre système d'ouverture de porte de garage .....	15
<b>29</b>	Remplacement des piles de la télécommande.....	15
<b>30</b>	Mise au rebut.....	16
<b>31</b>	Fiche de diagnostic.....	16
<b>32</b>	Recherche des défaillances .....	17
<b>33</b>	Accessoires optionnels.....	20
<b>34</b>	Caractéristiques techniques .....	20
<b>35</b>	Guide de sécurité et de maintenance du système d'ouverture de porte de garage automatique .....	21
<b>36</b>	La maintenance de routine peut éviter les accidents tragiques.....	22

# AVERTISSEMENT !

## COMMENCEZ PAR LIRE CES IMPORTANTES CONSIGNES DE SÉCURITÉ !

### 1 Directives de sécurité générales

Avant le début de l'installation :

veuillez lire la notice d'emploi et notamment les consignes de sécurité. Gardez la notice pour vous y reporter ultérieurement et remettez-la à un éventuel nouveau propriétaire. Les symboles suivants précèdent les consignes pour éviter les dommages corporels ou matériels. Lisez attentivement la présente notice.



#### ATTENTION

Dommages corporels ou matériels



#### ATTENTION

Danger lié à la présence d'un courant ou d'une tension électriques

#### Informations importantes concernant la sécurité

Naturellement, le système d'ouverture de porte automatique a été testé et conçu pour un fonctionnement sûr, mais la sécurité ne peut être garantie que si les consignes de sécurité figurant ci-dessous sont respectées à la lettre pendant l'installation et l'utilisation. Ce produit est conçu pour être installé uniquement par des installateurs de portes de garage qualifiés. Des réglages des ressorts de portes et/ou de la configuration des rails peuvent s'avérer nécessaires pour ce produit. Ce produit n'est pas destiné à une utilisation sur des rails bas à tambour enrouleur extérieur ou avec des portes de garage équipées de ressorts d'extension.

- L'installateur (spécialiste) doit lire attentivement et comprendre la présente notice avant d'entamer son travail. Avant la première utilisation et au moins une fois par an, un spécialiste doit vérifier l'état sûr des fenêtres, portes et portails motorisés. Un spécialiste est une personne dont la formation technique et l'expérience lui confèrent des connaissances suffisantes dans le domaine des fenêtres, portes et portails motorisés, et qui connaît les réglementations et règles techniques générales nationales en vigueur en matière de sécurité du travail, de sorte à pouvoir évaluer l'état de fonctionnement sûr des fenêtres, portes et portails motorisés.
- L'installateur doit connaître les normes suivantes : EN 13241, EN 12604, EN 12453. Le spécialiste/expert formé doit instruire l'utilisateur concernant les points suivants :
  - Le fonctionnement de l'entraînement et ses risques
  - La manipulation du mécanisme de déverrouillage de secours manuel
  - La maintenance, les inspections et l'entretien réguliers, ainsi que ses tâches
  - L'opérateur doit instruire les autres utilisateurs au sujet du fonctionnement de l'entraînement. Après l'installation réussie de l'entraînement, la personne responsable de l'installation de l'entraînement selon la directive relative aux machines 2006/42/CE doit établir la déclaration de conformité CE pour le système de portail. Le sigle CE et la plaque signalétique doivent être apposés sur le système de portail. Ceci est également obligatoire dans le cas de l'équipement ultérieur d'un portail à commande manuelle. De plus, un rapport de remise et un carnet d'inspection doivent être complétés.
- La porte doit être équilibrée. Les portes grippées ou bloquées doivent être réparées. Si la porte n'est pas équilibrée, les portes de garage, ressorts de porte, poulies, consoles et rails sont soumis à des sollicitations extrêmes, qui peuvent occasionner de graves blessures. Ne tentez pas de desserrer, déplacer ou réaligner la porte, mais contactez le centre de service ou un professionnel compétent en matière de portes.
- Pendant l'installation ou la maintenance du système d'ouverture de porte, il convient de ne pas porter de bijoux, de montres bracelet ou de vêtements amples.
- Pour éviter les blessures graves occasionnées par enroulement, retirez l'ensemble des câbles et chaînes reliés à la porte avant d'installer le système d'ouverture de porte.
- Pendant l'installation et le raccordement électrique, il convient d'observer les réglementations locales relatives aux bâtiments et aux installations électriques.
- L'installation du capteur de tension de câble est exigé par la norme EN 12453.
- Pour éviter la détérioration de portes très légères (par ex. en fibre de verre, aluminium ou acier), il convient d'ajouter des renforts appropriés. Contactez à cet effet le fabricant de la porte.
- Le système d'inversion de marche de sécurité automatique doit faire l'objet d'un essai. Lors du contact avec un obstacle d'une hauteur de 40 mm posé sur le sol, la porte de garage DOIT inverser son sens de marche. Si le système d'ouverture de porte n'est pas correctement ajusté, la fermeture de la porte de garage peut occasionner des dommages corporels graves. Le contrôle est à effectuer une fois par mois, suivi des ajustages éventuellement nécessaires.
- Ce système ne doit pas être installé dans les locaux humides ou mouillés.
- Pendant le fonctionnement, le portail ne doit en aucun cas bloquer les passages publics.
- Pour rappeler à tous les utilisateurs le fonctionnement sûr de l'installation, un panneau d'avertissement doit être installé en plus de l'interrupteur mural illuminé, afin de protéger les enfants. Les panneaux d'avertissement relatifs au risque d'écrasement doivent être placés à des endroits clairement visibles.
- Il convient de surveiller les enfants pour s'assurer qu'ils ne jouent pas avec l'appareil. Interdisez aux enfants d'actionner les boutons-poussoirs ou la télécommande.
- Cet appareil n'est pas adapté à une utilisation par des personnes (y compris les enfants) dont les capacités physiques, sensorielles ou mentales sont restreintes ou qui manquent d'expérience et/ou de connaissances, sauf si elles sont surveillées par une personne responsable de leur sécurité ou ont bénéficié d'une instruction au sujet de l'utilisation du système?
- L'ensemble des barrières/verrouillages sont désactivés pour ne pas endommager la porte.

- Le cas échéant, les équipements de commande installés DOIVENT être montés dans le champ de vision de la porte et hors de portée des enfants. Il convient d'interdire aux enfants d'actionner les boutons ou les télécommandes. L'utilisation non conforme du système d'ouverture de porte peut occasionner de graves blessures.
- Le système d'ouverture de porte doit être utilisé UNIQUEMENT lorsque l'utilisateur peut voir toute la zone de la porte, s'est assuré de l'absence d'obstacles et que le système d'ouverture de porte a été réglé correctement. Personne ne doit franchir la porte en mouvement. Il convient d'interdire aux enfants de jouer à proximité de la porte.
- N'utilisez le déverrouillage manuel que pour séparer le chariot de l'entraînement et si possible UNIQUEMENT lorsque la porte est fermée. N'utilisez pas la poignée rouge pour pousser ou tirer la porte.
- Avant toute réparation ou le retrait de carters, le système d'ouverture de porte doit être isolé de l'alimentation électrique. **Les réparations et l'installation électrique ne doivent être réalisés que par un électricien agréé.**
- Ce produit possède un transformateur avec un câble d'alimentation spécial. En cas de détérioration, il DOIT être remplacé par un transformateur d'origine par les soins d'un technicien qualifié.
- L'actionnement du déverrouillage de secours peut conduire à des mouvements inopinés de la porte, lorsque les ressorts sont usés ou brisés, ou si la porte n'est pas équilibrée.
- Installez la poignée de déverrouillage du déverrouillage de secours à une hauteur inférieure à 1,80 m.
- La fonction TTC (« Time to Close » – temps de fermeture), l'application de commande par smartphone MyQ et la surveillance de porte de garage et de portail MyQ sont des exemples de fermeture automatique et doivent être utilisés UNIQUEMENT avec des portes sectionnelles. Tout appareil ou fonction permettant de fermer la porte sans qu'elle soit à portée de vue de l'utilisateur est considéré comme une fermeture non surveillée. La fonction TTC (« Time to Close » – temps de fermeture), la commande par smartphone MyQ et tous les autres dispositifs MyQ doivent être utilisés UNIQUEMENT avec des portes sectionnelles.
- Ne pas utiliser cet entraînement si la porte de garage est équipée d'un portillon intégré.

Conservez cette notice.

## 2 Utilisation conforme

L'appareil est destiné à l'ouverture et la fermeture de portes équipées d'une barre de torsion et de ressorts (voir la section 3 « Planification »).

L'appareil n'est pas destiné à une utilisation commerciale et ne doit être installé sur des portes de garage chez des particuliers. Il n'est adapté qu'à une utilisation par un seul ménage. Toute utilisation non conforme de l'entraînement peut augmenter le risque d'accidents. Le fabricant décline toute responsabilité pour ce type d'utilisation. Seuls les accessoires d'origine de LiftMaster peuvent être raccordés à l'entraînement. Pour cet entraînement, les portails automatiques doivent être conformes aux normes et réglementations internationales, nationales et locales en vigueur (EN 13241, EN 12453 et EN 12604).

## 3 Planification de l'automatisation de la porte

Évaluez votre environnement pour vérifier si l'une ou plusieurs des conditions ci-dessous s'appliquent à votre installation.

En fonction de vos exigences, des matériels supplémentaires peuvent être nécessaires.

CE SYSTÈME D'OUVERTURE DE PORTE EST COMPATIBLE AVEC :

- Les portes équipées d'une barre de torsion et de ressorts. Le diamètre de la barre de torsion doit être de 25,4 mm. NON compatible avec les tambours à enroulement inversé.
- Tambours de 80-120 mm. Ne pas utiliser sur des tambours coniques d'un diamètre supérieur à 120 mm.
- Portes sectionnelles standard jusqu'à une hauteur de 3 m.
- Portes d'une largeur maximale de 5,5 m.
- Portes jusqu'à une surface de 16,5 m<sup>2</sup>.

*Remarque : Contrôlez la barre de tension pendant le levage et l'abaissement de la porte. Il est important que le jeu vers le haut et le bas ainsi que vers la gauche et la droite soit minime. Si le jeu n'est pas corrigé, la durée de vie du système d'ouverture de porte de garage sera abrégée considérablement.*

Évaluez ou contrôlez la zone d'installation prévue. Le système d'ouverture de porte peut être installé sur le côté gauche ou droit de la porte. Sélectionnez le côté qui satisfait aux exigences décrites ci-dessous.

- a. Distance minimale de 6,4 cm entre le mur et l'axe de la barre de torsion.
- b. Distance minimale de 7,6 cm entre le plafond et l'axe de la barre de torsion.
- c. Distance minimale de 21,6 cm entre le mur latéral (ou l'obstruction) et l'extrémité de la barre de torsion.
- d. La barre de torsion doit dépasser le palier d'au moins 3,81 cm. Cette valeur peut varier en fonction de vos exigences d'installation.
- e. Une prise électrique doit se trouver à une distance maximale de 1,83 m de la zone d'installation. En absence d'une prise, veuillez vous adresser à un électricien qualifié.

## 4 Planification pour l'utilisation de MyQ

Cette commande peut être pilotée par MyQ – des capteurs photoélectriques doivent être installés. Surveillez et pilotez votre porte de garage de partout grâce à l'application MyQ

### AVANT DE COMMENCER

Vous aurez besoin des éléments suivants :

- Un smartphone, une tablette ou un ordinateur portable compatible WiFi
- Une connexion Internet à large bande
- Un signal Wi-Fi dans le garage (2.4 Ghz, 802.11b/g/n nécessaire)
- Le mot de passe pour votre réseau domestique (compte principal du routeur, pas le réseau visiteurs)

### TESTEZ LA PUISSANCE DU SIGNAL WI-FI

Assurez-vous que votre appareil mobile est connecté à votre réseau Wi-Fi. Positionnez votre appareil mobile à l'endroit où souhaitez monter votre système d'ouverture de porte de garage automatique, puis contrôlez la puissance du signal Wi-Fi.

### Le signal Wi-Fi est puissant.

Le système d'ouverture de porte de garage se connectera à votre réseau Wi-Fi.

### Le signal Wi-Fi est faible.

Le système d'ouverture de porte de garage peut se connecter à votre réseau Wi-Fi. Si ce n'est pas le cas, tentez l'une des options ci-dessous pour améliorer votre signal Wi-Fi :

### Aucun signal Wi-Fi.

Le système d'ouverture de porte de garage ne pourra pas se connecter à votre réseau Wi-Fi. Tentez l'une des options ci-dessous pour améliorer votre signal Wi-Fi :

- Rapprochez votre routeur du système d'ouverture de porte de garage pour minimiser les interférences occasionnées par les murs et d'autres objets.
- Achetez un répéteur Wi-Fi

## 5 Préparation de votre porte de garage



**ATTENTION :** Faites TOUJOURS intervenir un technicien qualifié spécialisé en systèmes de portes si la porte de garage est grippée, bloquée ou déséquilibrée. Une porte de garage non équilibrée peut ne PAS inverser le sens de marche lorsque cela est nécessaire. Ne tentez JAMAIS de desserrer, déplacer ou ajuster la porte de garage, les ressorts de portes, les câbles, les poulies, les consoles ou leurs accessoires, qui sont TOUS soumis à une tension EXTRÊME. Désactivez TOUS les verrouillages et retirez TOUS les câbles en acier reliés à la porte de garage AVANT d'installer et d'actionner le système d'ouverture de porte de garage pour éviter de vous prendre dans les câbles en acier. Le système d'ouverture de porte est équipé d'une fonction d'actionnement sans surveillance. La porte peut exécuter des mouvements inopinés. PERSONNE NE DOIT FRANCHIR LA TRAJECTOIRE DE LA PORTE EN MOUVEMENT.

### AVANT DE COMMENCER :

- Désactivez les verrouillages.
- Retirez les câbles en acier reliés à la porte de garage.

Effectuez les essais suivants pour vous assurer que la porte de garage est équilibrée et qu'elle n'est ni grippée, ni bloquée :

- Levez la porte sur la moitié de sa course. Relâchez la porte. Si elle est correctement équilibrée, elle reste immobile et n'est retenue que par ses ressorts.
- Levez et abaissez la porte pour vérifier l'absence de grippages et de blocages.
- Les portes d'un poids supérieur à 130 kg ne doivent PAS être ouvertes ou fermées rapidement.

Si votre porte est bloquée, grippée ou déséquilibrée, faites intervenir un technicien qualifié spécialisée dans les systèmes de portes.

## 6 Outils nécessaires

Pendant le montage, l'installation et le réglage du système d'ouverture de porte de garage, la notice indique les outils figurant ci-dessous.

1. Escabeau
2. Perceuse
3. Mètre-ruban
4. Pince coupante
5. Pince
6. Forets de perceuse
7. Tournevis
8. Niveau à bulle
9. Marteau à panne fendue
10. Douilles et clé avec rallonge
11. Clé réglable
12. Crayon

## 7 Contenu de l'emballage

Si des pièces semblent manquer, vérifiez attentivement les matériels d'emballage.

SYSTÈME D'OUVERTURE DE PORTE DE GARAGE		SACHET DE VISSERIE	
1. Système d'ouverture de porte de garage, LM3800W	1x	11. Vis 15 mm	2x
2. Serrure de porte de garage automatique, 841EU	1x	12. Vis 54,8 mm	4x
3. Console de montage	1x	13. Poignée	1x
4. Collet avec vis à tenon carré	1x	14. Câble en acier	1x
5. Plaquettes de sécurité	1x	15. Vis 15 mm	2x
6. Télécommande à 4 touches, TX4EVF	2x	16. Tirefonds pour cloisons creuses (à visser) 36,8 mm	4x
7. Lampe à LED déportée MyQ, 827EV	1x	17. Vis 22 mm	2x
8. Manuel			
MATÉRIELS POUR LAMPE DÉPORTÉE			
9. Tirefonds pour cloisons creuses (à visser) 42 mm	2x		
10. Vis 27,85 mm	2x		

## 8 Accessoires nécessaires

Capteur de tension de câble 041A9264.

Cellules photoélectriques à infrarouge (pour le mode MyQ : - 771EV ou - 772E ou - 771EVK ou - G770E).

## 9 Fixer le collet au système d'ouverture de porte de garage

*Pour éviter les problèmes d'installation, ne faites pas fonctionner le système d'ouverture de porte de garage avant d'y être invité.*

Le système d'ouverture de porte de garage peut être installé sur l'un des deux côtés de la porte (voir la section Planification). Les figures correspondant au montage sur la fiche d'illustration.

1. Desserrez les vis de réglage.
2. Fixez le collet à l'arbre du moteur du système d'ouverture de porte de garage. Le côté du collet portant le plus grand orifice doit être placé sur l'arbre moteur.
3. Assurez-vous que le collet est glissé jusqu'à la butée sur l'arbre moteur.
4. Positionnez le collet de sorte que les vis soient orientées vers l'extérieure et accessibles lorsqu'elles sont fixées à la barre de torsion.
5. Bloquez les deux vis de réglage à tête carrée les plus proches de l'arbre moteur en les tournant d'un quart ou d'un demi tour après le contact avec l'arbre moteur.

## 10 Fixer la console de montage au système d'ouverture de porte de garage



1. Fixez sans serrer le côté de la console de montage avec les trous oblongs au côté du système d'ouverture de porte de garage sur lequel se trouve le collet, en utilisant les vis fournies (11).

*Remarque : Ne serrez pas les vis avant d'y avoir été invité.*



## 11 Positionner et monter le système d'ouverture de porte de garage



Utilisez **IMPÉRATIVEMENT** des tire-fonds pour béton si la console de montage est fixée à la maçonnerie. Ne tentez **JAMAIS** de desserrer, déplacer ou ajuster la porte de garage, les ressorts, les câbles en acier, les poulies, les consoles ou leurs matériels, qui sont **TOUTS** soumis à une tension **EXTRÊME**. Faites **TOUJOURS** intervenir un technicien/installateur/spécialiste qualifié spécialisé en systèmes de portes si la porte de garage est grippée, bloquée ou déséquilibrée. Une porte de garage non équilibrée peut ne **PAS** inverser son sens de marche lorsque cela est nécessaire. Le système d'ouverture de porte de garage **DOIT** être monté à angle droit sur la barre de tension pour éviter l'usure précoce du collet. Tenez compte des conditions sur site.

*Remarque : Pour des options de montage supplémentaires, reportez-vous aux pages d'accessoires.*

1. Fermez entièrement la porte du garage.
2. Glissez le système d'ouverture de porte de garage à l'extrémité de la barre de torsion. Si la barre de torsion est trop longue, vous devez éventuellement couper la barre de torsion. Veillez à ce que le collet ne touche **PAS** le palier.
3. Utilisez un niveau à bulle et alignez le système d'ouverture de porte de garage dans le sens vertical. Vérifiez que la console de montage se trouve sur une surface porteuse solide telle que le bois, le béton ou la console de porte. Lors de l'installation sur une cloison intérieure, la console de montage **DOIT** être fixée à un pilier.
4. Lorsque le système d'ouverture de porte de garage est correctement aligné, marquez les trous pour la console de montage. Le cas échéant, serrez les vis de collet sur la barre de torsion pour maintenir le système d'ouverture de porte de garage en place pendant le perçage des trous. **REMARQUE** : Le système d'ouverture de porte de garage ne doit pas nécessairement être positionné à fleur du mur.
5. Retirez le système d'ouverture de porte de garage de la barre de torsion. Percez des trous d'alignement de 5 mm au niveau des marquages. Le cas échéant, percez à travers les plaques de rail métalliques de la porte.
6. Glissez le système d'ouverture de porte de garage de nouveau sur la barre de torsion jusqu'à ce que les trous d'alignement correspondent à la console.
7. Serrez les deux vis de réglage à tête carrée sur la barre de torsion. Sur les barres de torsion creuses, serrez les vis de 3/4 à 1 tour complet après le contact avec la barre. Sur les barres de torsion pleines, serrez les vis de 1/4 à max. 1/2 tour après le contact avec la barre. Lors de l'installation d'une barre de tension clavetée, ne serrez **PAS** les vis dans la rainure.
8. Bloquez la console de montage contre le mur et sur le système d'ouverture de porte de garage. Utilisez les vis (12) pour bloquer la console de montage contre le mur.

## 12 Fixer la corde de déverrouillage de secours et la poignée



Si possible, utilisez la poignée de déverrouillage de secours pour débloquer la porte **SEULEMENT** si la porte de garage est **FERMÉE**. Si les ressorts sont usés ou rompus, ou que la porte n'est pas équilibrée, la porte ouverte peut se fermer rapidement et/ou inopinément. N'utilisez **JAMAIS** la poignée de déverrouillage de secours si des personnes ou des obstacles se trouvent dans le passage de porte de garage.

1. Insérez une extrémité de la corde de déverrouillage de secours à travers la poignée. Assurez-vous que « NOTICE » soit orienté vers le haut à droite. Fixez le câble par un nœud à au moins 2,5 cm de l'extrémité de la corde pour éviter que la corde ne glisse.
2. Passez l'autre extrémité de la corde de déverrouillage de secours par le trou dans le bras de déverrouillage de chariot. Montez le déverrouillage de secours à portée de main, mais au moins 1,83 m au-dessus du sol, en évitant le contact avec les véhicules pour éviter un déclenchement accidentel, puis fixez-le avec un nœud.

*Remarque : S'il est nécessaire de couper la corde, scellez l'extrémité coupée avec une allumette ou un briquet pour éviter tout effilochage.*

## 13 Installer le verrouillage de porte automatique

Le verrouillage de porte automatique (modèle 841EU) est utilisé pour éviter que la porte ne puisse être ouverte à la main lorsqu'elle est entièrement fermée.

*Remarque : Les modèles plus anciens de verrouillages de portes 24 V ne sont pas compatibles.*

1. Le verrouillage doit être monté à une distance maximale de 3,05 m du système d'ouverture de porte. Si possible, montez-le sur le même côté que le système d'ouverture de porte.
2. Assurez-vous que la surface du rail est propre et fixez le gabarit de verrouillage au rail de sorte que le trou de boulon se trouve à env. 7,6 cm de l'axe d'un galet de porte.
3. Percez les trous indiqués sur le gabarit.
4. Fixez le verrouillage automatique de la porte à l'extérieur des rails de porte à l'aide des matériels de montage fournis.
5. Posez le câble de carillon sur le mur jusqu'au système d'ouverture de porte. Utilisez des cavaliers isolés (option) pour fixer le câble à plusieurs endroits. Insérez le câble par le bas du système d'ouverture de porte.
6. Branchez le connecteur à l'une des prises du système d'ouverture de porte. Un second verrouillage de porte (841EU) peut être installé sur le côté opposé de la porte conformément aux instructions figurant ci-dessus.

### ESSAI DU VERT VERROUILLAGE DE PORTE AUTOMATIQUE

1. Lorsque la porte est entièrement fermée, le pêne du verrouillage de porte automatique (B) doit traverser le rail.
2. Actionnez la porte dans le sens de l'ouverture. Le verrouillage de porte automatique (A) doit réagir avant que la porte ne se déplace.
3. Actionnez la porte dans le sens de la fermeture. Lorsque la porte est entièrement fermée, le verrouillage de porte automatique doit s'enclencher sur la position de verrouillage pour verrouiller la porte.

*Remarque : Si le verrouillage de porte automatique ne fonctionne pas, le verrouillage peut être déverrouillé manuellement en glissant la poignée de déverrouillage manuel (C) sur la position d'ouverture.*

## 14 Fixer le capteur de tension de câble (041A92642) (accessoire obligatoire)

Le capteur de tension de câble DOIT être branché et installé correctement avant que le système d'ouverture de porte de garage ne soit actionné vers le bas. Le capteur de tension de câble détecte CHAQUE mou de câble qui survient sur les câbles, puis inverse le sens de marche de la porte afin de limiter les appels pour le service clients. L'installation du capteur de tension de câble est exigé par la norme EN 12453.

*Remarque : Le capteur de tension de câble est fourni pour une installation à gauche. Pour l'installation sur le côté droit, retirez le circlip qui maintient en place le galet et remontez-le sur le côté opposé du capteur de tension de câble.*

1. Assurez-vous que le câble de porte se trouve à env. 19 mm de la surface de montage. Un ajustage ou réglage de la porte peut être nécessaire pour obtenir une profondeur adaptée pour le câble de porte.
2. Positionnez le capteur de tension de câble de sorte que le galet se trouve à 5-15 mm du tambour et que le galet dépasse de 3-6 mm du câble. Assurez-vous que le capteur de tension de câble se trouve par dessus un élément porteur en bois ou que le galet ne rencontre aucun obstacle. **REMARQUE :** La zone d'installation ne doit comporter aucun obstacle qui pourrait empêcher la fermeture complète du capteur de tension de câble lors de la détection d'un mou de câble.
3. Repérez et percez des trous d'alignement pour les vis (les tire-fonds ne requièrent pas de trous d'alignement).
4. Fixez le capteur de tension de câble sur le mur à l'aide des matériels fournis. Assurez-vous que le galet se trouve au-dessus du câble.
5. Posez le câble de carillon jusqu'au système d'ouverture de porte. Utilisez des attaches isolées pour fixer les câbles.
6. Raccordez le câble de carillon aux bornes de fixation rapide vertes (10 + 11) du système d'ouverture de porte (la polarité est sans importance). **REMARQUE :** Le câble doit être sous tension sur toute la longueur de course de la porte. Assurez-vous que le câble ne présente pas de mou sur le côté opposé de la porte pendant son fonctionnement normal. En cas de mou de câble pendant la course normale de la porte, réajustez les câbles en fonction des besoins.

Lorsque deux capteurs de tension de câble sont installés, la porte ne se ferme pas ou change de sens de course dès que l'un des capteurs détecte du mou de câble ou est déconnecté.

### ESSAI DU CAPTEUR DE TENSION DE CÂBLE

1. Lorsque la porte est entièrement fermée, appuyez sur la face avant du capteur de tension de câble. Vous devez entendre un « clic ». En absence de « clic » le galet peut toucher la jambe et empêcher le contacteur de détecter le mou de câble. Assurez-vous que le capteur de tension de câble se positionne à fleur sur le mu et que le galet ne présente aucun obstacle.

La résistance 1k fournie sert uniquement à la recherche de défaillance sur l'installation CTM. Selon EN 12453, la surveillance de tension de câble doit être installée pour détecter tout mou de câble éventuel.

Si votre capteur de tension de câble a été activé, les flèches HAUT et BAS clignotent avec le code de diagnostic 3-5.

## 15 Installer le voyant à LED de la télécommande MyQ (adapté uniquement aux locaux secs)

Le voyant à LED de la télécommande MyQ est conçu pour un branchement directement à une prise électrique standard de 230 V. Sélectionnez un endroit adapté au plafond ou sur le mur, pour monter le voyant à une distance maximale de 1,83 m d'une prise électrique, de sorte que la corde et le voyant lumineux se trouvent à l'écart des éléments techniques. L'installation de voyant à LED de ma commande est nécessaire pour permettre le fonctionnement avec MyQ et Timer-To-Close (TTC).

**Remarque :** Si le montage sur un mur intérieur ou une solive plafond n'est pas possible, utilisez les tire-fonds pour cloisons creuses fournis. Aucun trou d'ajustage n'est nécessaire aux tire-fonds pour cloisons intérieures.

1. Percez des trous de perçage à une distance de 15,6 cm pour le montage sur une solive.  
OU  
vissez les tire-fonds pour cloisons intérieures à une distance de 15,6 cm lors du montage sur une cloison intermédiaire.
2. Déterminez la longueur du câble d'alimentation nécessaire jusqu'à la prise la plus proche. Enroulez l'excédent de câble autour de l'enrouleur sur le côté supérieur de l'embase de l'éclairage. Posez le câble dans le chemin de câble de sorte que les embases d'éclairage soient affleurant.
3. Ouvrez la lentille de l'éclairage.
4. Montez l'éclairage avec les vis fournies (9+10).
5. Ouvrez la lentille de l'éclairage.
6. Branchez l'éclairage à la prise électrique.

**Remarque :** L'éclairage à LED est très lumineux. Ne regardez pas dans la lumière lorsque vous êtes sur une échelle.

Votre système d'ouverture de porte de garage a déjà été programmé en usine pour fonctionner avec votre dispositif d'ouverture. Tous les éclairages supplémentaires ou de rechange de la télécommande devront être programmés.

## 16 Branchement électrique



Pour éviter les dommages corporels et les détériorations de l'appareil, le système d'ouverture de porte ne doit être actionné que si vous y êtes invité explicitement dans le présent manuel. La prise d'alimentation doit être toujours accessible afin de pouvoir débrancher l'alimentation secteur. Les installations électriques ne doivent être réalisées que par un électricien agréé.

## 17 Installation de cellules lumineuses

### INFORMATIONS IMPORTANTES AU SUJET DES CELLULES INFRAROUGES

La notice d'installation est incluse dans les fournitures des cellules lumineuses infrarouges et les consignes qui y figurent doivent être respectées. Les cellules lumineuses garantissent que la porte soit ouverte ou reste ouverte lorsque des personnes, notamment des enfants, se trouvent à proximité de la porte. Lorsque le capteur à cellules lumineuses infrarouges est correctement branché et aligné, il détecte les obstacles dans le faisceau électronique. Le capteur émetteur transmet un faisceau lumineux invisible au capteur récepteur. Si un obstacle interrompt le faisceau lumineux pendant la fermeture de la porte, la porte s'immobilise et retourne sur sa position d'ouverture intégrale, puis le système d'ouverture clignote dix fois.

Pour l'utilisation de la fonction MyQ ou TTC, les capteurs doivent être installés dans le garage de sorte que les capteurs émetteurs et récepteurs soient positionnés face à face de chaque côté de la porte, à une distance maximale de 10 cm au-dessus du sol. Ils peuvent être installés indépendamment à gauche ou à droite de la porte, dès lors que le soleil ne touche jamais directement la lentille du capteur récepteur. La trajectoire du faisceau de lumière invisible ne doit pas être obstruée. Aucun élément de la porte de garage (rails de porte, ressorts, charnières, galets et autres matériels) ne doit interrompre le faisceau lors de la fermeture de la porte.

**Remarque :** Liftmaster recommande d'installer des cellules lumineuses infrarouges sur chaque installation. Pour l'utilisation de la fonction MyQ ou TTC, l'installation d'une cellule lumineuse infrarouge est nécessaire.

### CÂBLE VERS LES CELLULES LUMINEUSES INFRAROUGES

1. Posez le câble des deux capteurs au système d'ouverture de porte de garage. Fixez le câble au mur et au plafond avec les agrafes.
2. Dénuder chaque jeu de conducteurs sur 11 mm. Séparez les conducteurs. Toronnez les conducteurs blancs ensemble. Toronnez les conducteurs blancs/noir ensemble.
3. Insérez les conducteurs blancs dans la borne blanche du système d'ouverture de porte. Insérez les conducteurs blancs/noirs dans la borne grise du système d'ouverture de porte (4). Pour brancher ou débrancher ces câbles du terminal, enfoncez l'onglet à l'aide d'un embout de tournevis (5).

### ASSUREZ-VOUS QUE LES CELLULES LUMINEUSES INFRAROUGES SOIENT CORRECTEMENT ALIGNÉES.

La porte ne ferme pas, si les capteurs n'ont pas été installés et alignés correctement.

Si le faisceau lumineux est interrompu ou mal aligné, la porte inverse son sens de marché et les voyants du système d'ouverture de porte de garage clignotent dix fois. Si les portes actuelles sont déjà ouvertes, elles ne ferment pas. Les capteurs doivent être alignés en desserrant les écrous à ailes, en alignant les capteurs et en serrant ensuite les écrous à ailes.

1. Contrôlez pour vous assurer que les voyants des deux capteurs sont allumés en continu. Les LED des deux capteurs s'allument en continu s'ils sont alignés et correctement câblés.

## ESSAIS DES CELLULES LUMINEUSES INFRAROUGES

1. Ouvrez la porte. Posez un obstacle sur la trajectoire de la porte.
2. Appuyez sur le bouton-poussoir de la télécommande pour fermer la porte. La porte ne se déplace que de 2,5 cm max. et le voyant du système de porte d'ouverture s'allume 10 fois.

Le système d'ouverture de porte de garage ne peut pas être pilotée à l'aide d'une télécommande si la LED installée correctement (pour vous alerter que le fait que le capteur variateur ou obstrué). **Si le système d'ouverture de porte de garage se ferme lorsque les cellules lumineuses infrarouges sont obstruées (même si le capteur se trouve à 10 cm max. du sol), il convient de faire intervenir un technicien qualifié.**

## 18 Branchement des énergies

Pour éviter les problèmes d'installation, ne faites pas fonctionner le système d'ouverture de porte de garage pour l'instant. Pour diminuer le risque d'électrisation, votre système d'ouverture de porte de garage est pourvu d'une fiche avec prise de terre. Cette fiche ne s'insère que dans une prise équipée d'une terre. Si la fiche ne correspond pas à la prise définie, contactez un électricien qualifié pour installer une prise adaptée.

Seule une disponibilité permet de brancher l'alimentation électrique :

### CÂBLAGE TYPIQUE

Branchez le système d'ouverture de porte de garage à une prise raccordée à la terre.

## 19 Installez la sauvegarde de batterie (accessoires optionnel)



Pour diminuer le risque d'INCENDIE ou de DOMMAGES corporels. Débranchez TOUTE l'énergie électrique, y compris la fiche de secteur, AVANT tous les services. Utilisez UNIQUEMENT la pièce LiftMaster 485UE pour remplacer la batterie. NE PAS jeter la batterie au feu. Les batteries peuvent exploser. Se reporter aux réglementations locales pour obtenir des consignes de mise au rebut.

En mode de secours de la batterie, la commande de smartphone MyQ et les appareils MyQ sans fil seront désactivés. Dans le mode de secours de la batterie, le verrouillage de la porte de garage automatique se déverrouille jusqu'à ce que l'alimentation électrique soit rétablie.

1. Débranchez la fiche du système d'ouverture de porte de garage.
2. Utilisez une tournevis pour retirer le cache du compartiment de batterie du système d'ouverture de porte de garage.
3. Insérez partiellement la batterie dans le compartiment de batterie, en orientant les bornes d'ouverture vers l'extérieur.
4. Branchez les conducteurs rouge (+) et noir (-) du système d'ouverture de porte de garage aux bornes correspondantes de la batterie.
5. Remettez le cache du compartiment de piles.
6. Branchez la fiche du système d'ouverture de porte de garage

LED D'ETAT ROUGE (B).

VOYANT VERT :

Tous les systèmes sont normaux.

- Une LED verte allumée en continu indique que la batterie de perte est entièrement chargée.
- Une LED verte clignotante indique que la batterie de perte est entièrement en cours de charge.

LED ORANGE :

Le système d'ouverture de porte de garage manque de puissance et est en mode secours.

- Une LED orange allumée en continu avec un signal sonore env. toutes les 2 secondes indique que le système d'ouverture de porte de garage fonctionne sur batterie.
- Une LED orange clignotante avec un signal sonore env. toutes les 30 secondes indique que la batterie est faible.

LED ROUGE :

La batterie 12 V du système d'ouverture de porte de garage doit être remplacée.

- Une LED rouge allumée en continu avec un signal sonore env. toutes les 30 secondes indique que la batterie 12 V ne tient plus la charge et doit être remplacée. Remplacer la batterie pour conserver la fonction de batterie de secours.

*Remarque : La batterie ne doit pas nécessairement être chargée intégralement pour piloter le système d'ouverture de porte de garage.*

## 20 Programmer la course



Un réglage erroné de la course de la porte de garage nuit au bon fonctionnement du système d'inversion de marche de sécurité. Après un réglage QUELCONQUE, le système d'inversion de marche de sécurité DOIT faire l'objet d'un essai. La porte DOIT inverser le sens de marche lors d'un contact avec un objet de 40 mm posé au sol. Pour éviter d'endommager les véhicules, il convient de s'assurer que la porte intégralement ouverte offre une hauteur d'ouverture suffisante.

Des contacteurs de fin de course règlent les points sur lesquels la porte s'immobilise lors du mouvement vers le haut ou le bas. Lors de la programmation, les boutons HAUT et BAS peuvent être utilisés pour déplacer la porte en fonction des besoins.

1. Actionner le bouton de réglage (A) jusqu'à ce que le bouton HAUT (U) commence à clignoter et/ou qu'un signal sonore soit émis.
2. Actionner et maintenir le bouton HAUT (U) jusqu'à ce que la porte soit sur la position HAUTE souhaitée.
3. Lorsque la porte se trouve sur la position HAUTE souhaitée, actionner et relâcher le bouton de réglage (A). Le système d'ouverture de porte de garage clignote deux fois et le bouton BAS (D) commence à clignoter.
4. Actionner et maintenir le bouton BAS (U) jusqu'à ce que la porte soit sur la position BASSE souhaitée.
5. Lorsque la porte se trouve sur la position BASSE souhaitée, actionner et relâcher le bouton de réglage (A). Le système d'ouverture de porte de garage clignote deux fois et le bouton HAUT (U) commence à clignoter.
6. Actionner et relâcher le bouton HAUT (U). Lorsque la porte se déplace sur la position HAUTE programmée, le bouton BAS (D) commence à clignoter.
7. Actionner et relâcher le bouton BAS (D). La porte se déplace sur la position BASSE programmée. La programmation est terminée.

Si les voyants du système d'ouverture de porte de garage clignent 5 fois pendant les étapes de programmation de course, le temps imparti pour la programmation est dépassé. Si le capteur de tension de câble n'est pas installé ou détecte trop de mou de câble, le voyant du système d'ouverture de porte de garage clignote 5 fois. Assurez-vous que le capteur de tension de câble est installé correctement, puis exécutez les étapes de programmation de course. Si les voyants du système d'ouverture de porte de garage clignent 10 fois pendant les étapes de programmation de course, les cellules lumineuses infrarouge sont mal alignées ou obstruées. Si les capteurs sont correctement alignés et non obstrués, exécutez un cycle complet de levage et d'abaissement à l'aide des boutons HAUT ou BAS de la télécommande. La programmation est terminée. Si vous n'êtes pas en mesure de lever ou d'abaisser la porte, répétez les étapes de programmation de course.

## 21 Essais du système d'inversion de marche de sécurité



Lorsque le système d'inversion de marche de sécurité n'est pas installé correctement, des personnes (notamment les enfants) peuvent être BLESSÉS GRAVEMENT ou TUÉS par la fermeture de la porte de garage. Le système d'inversion de marche de sécurité DOIT être testé tous les mois. Après un réglage QUELCONQUE, le système d'inversion de marche de sécurité DOIT faire l'objet d'un essai. La porte DOIT inverser le sens de marche lors d'un contact avec un objet de 40 mm posé au sol.

### TEST

1. Lorsque la porte est entièrement ouverte, placez une planche de 40 mm sur le sol en la centrant sous la porte de garage.
2. Appuyez sur le bouton-poussoir de la télécommande pour fermer la porte. La porte DOIT inverser son sens de marche lors du contact avec la planche.

### RÉGLAGE

If the door stops but does not reverse:

3. Contrôlez la notice d'installation fournie pour vous assurer que toutes les étapes ont été exécutées.
4. Répétez la programmation de course (voir l'étape 1 du réglage « Point 20 »).
5. Répétez le test d'inversion de marche de sécurité.

Si le test échoue toujours, faites appel à un technicien formé en matière de portes.

### CONTRÔLE DE SÉCURITÉ IMPORTANT :

Testez le système d'inversion de marche de sécurité après :

- Chaque réglage des fins de courses.
- La réparation ou le réglage de la porte (y compris des ressorts et des matériels).
- La réparation ou le réglage du sol.
- La réparation ou le réglage du système d'ouverture de porte de garage.

## 22 Pour ouvrir la porte à la main



**Si possible, utilisez la poignée de déverrouillage de secours pour débloquer la porte SEULEMENT si la porte de garage est FERMÉE.** Les ressorts usés ou rompus, ainsi qu'un mauvais équilibrage de la porte peuvent occasionner un abaissement rapide et/ou inopiné de la porte. **N'utilisez JAMAIS la poignée de déverrouillage de secours tant que des personnes ou des obstacles se trouvent à proximité de la porte.**

Retirez tous les verrouillages de porte avant de continuer. Si possible, la porte doit être fermée entièrement. Abaissez la poignée de déverrouillage de secours jusqu'à ce que le système d'ouverture de porte émette un cliquetis, puis levez la porte à la main. Pour rebrancher la porte au système d'ouverture de porte, tirez la poignée de déverrouillage de secours vers le bas une nouvelle fois jusqu'à ce que le système d'ouverture de porte émette un cliquetis. La porte se reconnecte lors du prochain LEVAGE ou ABAISSEMENT.

### ESSAI DU DÉVERROUILLAGE DE SECOURS

1. Assurez-vous que la porte est fermée.
2. Tirez sur la poignée de déverrouillage de secours. Vous devez alors pouvoir ouvrir la porte à la main.
3. Ramenez la porte sur la position fermée.
4. Tirez une nouvelle fois sur la poignée de déverrouillage de secours.
5. Rebranchez la porte au système d'ouverture de porte.

## 23 Utilisation du système d'ouverture de porte de garage

### FONCTIONS

Votre système d'ouverture de porte de garage dispose de fonctions qui vous assurent un contrôle plus important pour l'utilisation de votre porte de garage.

### ALERTE DE FERMETURE

La fonction d'alerte de fermeture fournit une alerte visuelle lors de la fermeture d'une porte non surveillée.

### TIMER-TO-CLOSE (TTC – TEMPS DE FERMETURE)

La fonction TTC ferme automatiquement la porte après une durée spécifiée, qui peut être réglée à l'aide d'une commande de porte compatible TTC (modèles de cellules lumineuses nécessaires : 771EV / 772EV / 771EVK / G770E). Avant et pendant la fermeture de la porte, les voyants du système d'ouverture de porte de garage clignotent.

#### ACTIVATION DU TTC :

1. Appuyez et relâchez le bouton d'apprentissage jaune (L) 4 fois.
2. La LED d'apprentissage jaune s'ALLUME.
3. A l'aide des flèches HAUT (U) et BAS (D), exécutez un cycle OFF/1/5/10 minutes. La LED d'apprentissage jaune clignote lors de la sélection. Si vous sélectionnez par ex. 5 minutes, la LED d'apprentissage jaune clignote 5 fois pour confirmer.
4. Actionnez le bouton de réglage rectangulaire (A) pour sauvegarder le réglage et quittez le mode de programmation TTC. Lorsque l'activation est terminée, l'éclairage LED déporté MyQ clignote UNE fois pour confirmer. Lors de la programmation de la fonction TTC, vous devez actionner le bouton suivant dans un délai de 30 secondes. Dans le cas contraire, l'activation TTC est annulée. Si le temps imparti pour la programmation expire, le TTC applique les réglages précédents et l'éclairage LED déporté MyQ clignote CINQ fois.

Pour quitter le mode de programmation TTC sans enregistrer les modifications, appuyez et relâchez le bouton d'apprentissage (L) une nouvelle fois.

#### Modification du timer TTC :

1. Appuyez 4 fois sur le bouton d'apprentissage (L).
2. A l'aide des flèches HAUT (U) et BAS (D), exécutez un cycle OFF/1/5/10 minutes. La LED d'apprentissage jaune clignote lors de la sélection.
3. Actionnez le bouton de réglage rectangulaire (A) pour sauvegarder le réglage et quittez le mode de programmation TTC. Lorsque l'activation est terminée, le voyant LED de la télécommande MyQ clignote UNE fois pour confirmer.

#### Désactivation du TTC :

1. Appuyez 4 fois sur le bouton d'apprentissage (L) jaune.
2. Appuyez une fois sur le bouton d'ajustage pour enregistrer les réglages.
3. Lorsque la désactivation est terminée, l'éclairage LED déporté MyQ clignote UNE fois pour confirmer. Si le TTC est actif, le timer compte à rebours et les faisceaux IR sont interrompus. Le timer TTC est redémarré.

### MyQ

MyQ vous permet de commander votre système d'ouverture de porte de garage depuis votre appareil mobile ou votre ordinateur depuis un endroit quelconque. La technologie MyQ emploie en signal radio pour une communication Duplex entre le système d'ouverture de porte de garage et les accessoires compatibles MyQ. Le système d'ouverture de porte de garage possède une passerelle interne qui permet au système d'ouverture de porte de garage de communiquer directement avec un réseau Wi-Fi® domestique et d'accéder à votre compte MyQ.

## CELLULES LUMINEUSES INFRAROUGES

Lorsque les capteurs à cellules lumineuses infrarouges sont correctement branchés et alignés, ils détectent les obstacles dans le faisceau infrarouge. Si un obstacle interrompt le faisceau infrarouge pendant la fermeture de la porte, la porte s'immobilise et retourne sur sa position d'ouverture intégrale, puis le système d'ouverture clignote dix fois. Si la porte est entièrement ouverte, alors que les cellules infrarouge sont installés, mais mal alignées, la porte ne peut pas être fermée à l'aide d'une télécommande. Vous pouvez toutefois fermer la porte si vous actionnez et maintenez le bouton de la commande de porte ou de l'entrée sans clé jusqu'à ce que la porte soit entièrement fermée. Les cellules lumineuses à infrarouges n'influencent pas le cycle d'ouverture.

## ÉCONOMIES D'ÉNERGIE

Pour une meilleure efficacité énergétique, le système d'ouverture de porte de garage commute en mode veille lorsque la porte est entièrement fermée. Le mode veille éteint le système d'ouverture de porte de garage jusqu'à ce qu'il soit de nouveau activé. Le mode veille est relié à l'éclairage du système d'ouverture de porte de garage. Lorsque l'éclairage s'éteint, les voyants LED des capteurs se coupent. Lorsque l'éclairage du système d'ouverture de porte de garage s'allume, les voyants LED des capteurs s'allument également. Le système d'ouverture de porte de garage ne commute pas en mode veille avant qu'il n'ait exécuté 5 cycles après la mise en marche.

## ÉCLAIRAGE

L'éclairage du système d'ouverture de porte de garage s'allume lorsque le système est branché pour la première fois, lorsque l'alimentation électrique est rétablie après une coupure de courant ou lorsque le système d'ouverture de porte de garage est activé. L'éclairage se coupe automatiquement après 4-1/2 minutes

## FONCTION D'ÉCLAIRAGE

The garage door opener is equipped with an added feature; the lights will turn on when someone enters through the open garage door and the infrared beam is broken. Infrared photocells 771EV / 772E / 771EVK / G770E need to be installed to enable this feature.

## BATTERIE DE SECOURS (OPTION)

Le système de batterie de secours permet d'entrer ou de sortir du garage même en cas d'interruption de l'alimentation électrique. Lorsque le système d'ouverture de porte de garage fonctionne sur batterie, il est plus lent, l'éclairage ne fonctionne pas, la LED d'état de batterie est allumée en continu en orange et un signal sonore est émis env. toutes les 2 secondes.

## UTILISATION DU SYSTÈME D'OUVERTURE DE PORTE DE GARAGE

Le système d'ouverture de porte de garage peut être activé à l'aide d'une commande de porte montée sur un mur, d'une télécommande, d'un accès sans clé non filaire ou de l'accessoire MyQ. Lors de l'utilisation du système d'ouverture de porte de garage par télécommande ou commutateur mural :

- la porte se ferme si elle est entièrement ouverte
- la porte s'ouvre si elle est entièrement fermée
- la porte s'immobilise pendant l'ouverture ou la fermeture
- la porte se déplace dans le sens opposé de son dernier mouvement achevé si elle est partiellement ouverte.

Si la porte détecte un obstacle ou est désactivée pendant l'ouverture, elle s'immobilise. Si le système d'ouverture de porte de garage détecte un obstacle à la fermeture, la porte inverse son sens de marche. Si l'obstacle coupe le faisceau du capteur, les voyants du système d'ouverture de porte de garage clignote 10 fois. Vous pouvez toutefois fermer la porte si vous actionnez et maintenez le bouton de la commande de porte ou de l'entrée sans clé jusqu'à ce que la porte soit entièrement fermée. Les cellules lumineuses à infrarouges n'influencent pas le cycle d'ouverture

## COMPTEUR DE CYCLES, ACTIVATION ET PROCÉDURE DE LECTURE :

1. Débranchez le RJO pour activer ce mode.
2. Actionnez les boutons de réglage (A) et d'apprentissage (L) et maintenez-les actionnés pendant la remise sous tension.
3. Le bouton HAUT (U) clignote UNE fois pour chaque millier de CYCLES complets exécutés, tant que les boutons de réglage (A) et d'apprentissage (L) sont maintenus actionnés.

Si par ex. le RJO a exécuté 8756 cycles, la LED HAUT clignote 8 fois.

Pour répéter la lecture, débranchez le RJO et recommencez.

**Émetteur de voyant (avec 78EV) :** Permet l'apprentissage d'un émetteur pour la télécommande MyQ via la commande murale multifonctionnelle.

Pour programmer l'émetteur pour l'éclairage LED déporté MyQ :

. Actionnez et maintenez les boutons ÉCLAIRAGE et VERROUILLAGE simultanément.

2. Tout en maintenant ces deux boutons, actionnez et maintenez l'un des boutons de l'émetteur jusqu'à ce que le voyant de fonctionnement du RJO clignote une fois.

3. Relâchez tous les boutons lorsque le voyant de fonctionnement a clignoté une fois.

**Mode vacances** (requiert une commande murale 78EV). Les télécommandes portables ne fonctionnent pas, lorsque cette fonction est activée. Voir les instructions de 78EV.

**Accès sans clé** (requiert un pavé de commande sans fil 747EV) : Saisissez un code à 4 chiffres de votre choix pour commander la porte.

**Accès temporaire** (requiert un pavé de commande sans fil 747EV) Un code temporaire peut être programmé pour permettre un accès limité au garage (limité dans le temps ou par le nombre d'ouvertures).

**Fonction de fermeture à un bouton** (requiert un pavé de commande sans fil 747EV) : La porte peut être fermée (mais pas ouverte) à partir d'une position quelconque sans qu'un code d'accès ne soit nécessaire.

## 24 Connexion au smartphone

Le système d'ouverture de porte de garage Wi-Fi® est compatible avec jusqu'à 16 accessoires MyQ. Jusqu'à dix appareils peuvent être appariés à la passerelle interne du système d'ouverture de porte de garage. Ces appareils peuvent être contrôlés via l'application MyQ. Ces appareils sont compatibles avec toutes les combinaisons de systèmes d'ouverture de porte de garage MyQ, systèmes d'ouverture de porte de garage Wi-Fi, les systèmes d'éclairages MyQ et les dispositifs de commande de portails MyQ. Une passerelle Internet LiftMaster (828V)

Peut être ajoutée si vous avez besoin de commander plus de 10 appareils à l'aide de l'application MyQ. Jusqu'à 6 appareils peuvent être appariés au système d'ouverture de porte de garage lui-même (commandé par le système d'ouverture de porte de garage). Ces appareils sont compatibles avec toutes les combinaisons de systèmes d'éclairage MyQ ou de portes de garage et de capteur de portail.

### Vous aurez besoin des éléments suivants :

- Un smartphone, une tablette ou un ordinateur portable compatible WiFi
- Une connexion Internet à large bande
- Un signal Wi-Fi dans le garage (2.4 Ghz, 802.11b/g/n nécessaire)
- Le mot de passe pour votre réseau domestique (compte principal du routeur, pas le réseau visiteurs)
- Le numéro de série MyQ situé sur le système d'ouverture de porte de garage
- De cellules lumineuses infrarouge (option)
- Éclairage LED déporté MyQ (fourni)

### SYNCHRONISATION DE LA COMMANDE DE PORTE

Pour synchroniser la commande de porte 78EV au système d'ouverture de porte de garage, appuyez sur la barre-poussoir jusqu'à ce que le système d'ouverture de porte de garage s'allume (Jusqu'à 3 actionnements peuvent être nécessaires). Le système d'ouverture de porte de garage doit exécuter un cycle complet avant d'activer la programmation Wi-Fi.

### CONNEXION DU SYSTÈME D'OUVERTURE DE PORTE DE GARAGE AU RÉSEAU WI-FI DOMESTIQUE

1. Appuyez et relâchez 3 fois le bouton d'APPRENTISSAGE jaune (L) du système d'ouverture de porte de garage. Le système d'ouverture de porte de garage émet un signal sonore. Vous disposez de 20 minutes pour terminer le processus de connexion.
2. Sur votre appareil mobile, ouvrez les réglages > Wi-Fi et sélectionnez le réseau avec le préfixe « MyQ ».
3. Lancez le navigateur réseau sur votre smartphone ou tablette. Saisissez [setup.myqdevice.com](http://setup.myqdevice.com) dans la ligne d'adresse du navigateur. Suivez les invitations affichées à l'écran pour connecter le système d'ouverture de porte de garage à votre réseau Wi-Fi. Le numéro de série MyQ s'affiche à l'écran. Notez le numéro de série dans le champ Ci-dessous.

4. Téléchargez l'application MyQ depuis les boutiques App Store® ou Google Play™. Enregistrez votre compte MyQ et ajoutez le numéro de série MyQ à votre compte.

Pour ajouter un second système d'ouverture de porte de garage, répétez les étapes 1-3. Ajoutez le second numéro de série à votre compte dans l'application MyQ.

REMARQUES : La commande MyQ smartphone ne fonctionne PAS si le système d'ouverture de porte de garage fonctionne sur batterie. Pour effacer les réglages Wi-Fi, voir page 15.

Une LED (A) sur le système d'ouverture de porte de garage indique l'état de la connexion Wi-Fi. Voir le tableau ci-dessous

LED	DÉFINITION
BLEUE	Éteinte – le Wi-Fi est désactivé. Clignotante – le système d'ouverture de porte de garage est en mode d'apprentissage Wi-Fi. Allumée en continu – l'appareil mobile est connecté au système d'ouverture de porte de garage.
BLEUE ET VERTE	Clignotante – Tentative de connexion au routeur.
VERTE	Clignotante – Tentative de connexion au serveur Internet. Allumée en continu – Le Wi-Fi est configuré et le système d'ouverture de porte de garage est connecté à Internet.



---

## **25** Programmation du système d'ouverture et de la télécommande / Bouton-poussoir sans fil / Pavé de touches sans fil (option)

Activez le système d'ouverture lorsque vous avez une vue parfaite sur la porte, qu'aucun obstacle ne gêne son fonctionnement et qu'il est correctement réglé. Personne ne doit entrer ou sortir du garage pendant le mouvement de la porte. Interdisez aux enfants d'actionner les boutons-poussoirs ou la télécommande. Interdisez aux enfants de jouer à proximité de la porte. Votre récepteur de système d'ouverture de porte de garage et un des boutons de la télécommande sont préprogrammés. Si vous achetez des télécommandes supplémentaires, le système d'ouverture de porte de garage doit être programmé pour accepter le code de la nouvelle télécommande.

### PROGRAMMATION DU RÉCEPTEUR POUR CONNECTER DES TÉLÉCOMMANDES SUPPLÉMENTAIRES : UTILISATION DU BOUTON ROND JAUNE

1. Appuyez et relâchez le bouton rond jaune (L) du système d'ouverture. Le voyant d'apprentissage s'allume en continu pendant 30 secondes.
2. Pendant ces 30 secondes, actionnez et maintenez le bouton de la télécommande que vous souhaitez utiliser pour commander votre porte de garage.
3. Relâchez le bouton lorsque le voyant du système d'ouverture clignote une fois. Le système d'ouverture a mémorisé le code. Le système d'ouverture exécute à présent les instructions reçues lorsque le bouton de commande de la télécommande est actionné. Si vous relâchez le bouton-poussoir de commande de la télécommande avant que le voyant du système d'ouverture ne clignote, le système d'ouverture n'enregistre pas le code.

### ACCÈS SANS CLÉ

1. Appuyez et relâchez le bouton rond jaune (L) du système d'ouverture. Le voyant d'apprentissage s'allume en continu pendant 30 secondes.
2. Saisissez un numéro d'identification personnel à 4 chiffres (code PIN) de votre choix sur le pavé de touches d'accès sans clé.
3. Actionnez ensuite le bouton ENTRÉE.
4. Les voyants du système d'ouverture de porte de garage clignent (ou émettent deux cliquetis) lorsque le code a été programmé. Répétez les étapes ci-dessus pour programmer des télécommandes supplémentaires ou des dispositifs d'accès sans clé. Si la programmation échoue, programmez la télécommande à l'aide du bouton d'apprentissage.

### SUPPRESSION DE TOUS LES CODES DE COMMANDE DE LA TÉLÉCOMMANDE

Pour désactiver une télécommande non souhaitée, il convient d'effacer préalablement tous les codes : Actionnez et maintenez le bouton rond jaune du système d'ouverture jusqu'à ce que le voyant d'apprentissage s'éteigne (env. 10 secondes). Tous les codes sont effacés. Reprogrammez chaque télécommande ou dispositif d'accès sans clé que vous souhaitez utiliser.

---

## **26** Programmation de l'éclairage LED déporté MyQ

Votre système d'ouverture de porte de garage a déjà été programmé en usine pour fonctionner avec votre dispositif d'ouverture. Tous les éclairages supplémentaires ou de rechange de la télécommande devront être programmés.

### PROGRAMMATION D'UN SYSTÈME D'OUVERTURE DE PORTE POUR L'ÉCLAIRAGE LED DÉPORTÉ MYQ :

1. Actionnez le bouton d'APPRENTISSAGE (L) de l'éclairage jusqu'à ce que la LED verte s'ALLUME.
2. Actionnez le bouton d'APPRENTISSAGE (L) sur le système d'ouverture de porte.
3. Le code a été programmé lorsque le voyant de la télécommande clignote une fois.

### PROGRAMMATION D'UNE TÉLÉCOMMANDE POUR L'ÉCLAIRAGE LED DÉPORTÉ MYQ :

1. Actionnez le bouton d'APPRENTISSAGE (L) de l'éclairage jusqu'à ce que la LED verte s'ALLUME.
2. Actionnez le bouton de la télécommande qui doit commander l'éclairage.
3. Le code a été programmé lorsque le voyant de la télécommande clignote une fois.

Pour programmer l'éclairage avec d'autres accessoires, reportez-vous au manuel des accessoires.

### AJOUT DE L'ÉCLAIRAGE LED DÉPORTÉ MYQ À MON COMPTE MYQ

1. Actionnez le bouton d'APPRENTISSAGE (L) de l'éclairage jusqu'à ce que la LED verte s'ALLUME.
2. Connectez-vous à l'application MyQ et ajoutez l'éclairage LED déporté MyQ.

### SUPPRESSION DE TOUTE LA PROGRAMMATION DE L'ÉCLAIRAGE LED DÉPORTÉ MYQ

1. Actionnez et maintenez le bouton d'APPRENTISSAGE (L) jusqu'à ce que la LED s'éteigne (6-10 secondes). La programmation est intégralement effacée.

---

## 27 Suppression de la mémoire

### SUPPRESSION DE L'ENSEMBLE DES TÉLÉCOMMANDES ET ACCÈS SANS CLÉ

1. Actionnez et maintenez le bouton d'APPRENTISSAGE (L) du système d'ouverture jusqu'à ce que le voyant LED d'apprentissage s'éteigne (env. 6 secondes). L'ensemble des télécommandes et codes d'accès sans clé est effacé. Reprogrammez tous les accessoires que vous souhaitez utiliser.

### SUPPRESSION DE TOUS LES APPAREILS (Y COMPRIS LES ACCESSOIRES COMPATIBLES MYQ)

1. Actionnez et maintenez le bouton d'APPRENTISSAGE (L) du système d'ouverture jusqu'à ce que le voyant LED d'apprentissage s'éteigne (env. 6 secondes).
2. Actionnez immédiatement et maintenez le bouton d'APPRENTISSAGE de nouveau, jusqu'à ce que la LED d'apprentissage s'éteigne. Tous les codes sont effacés. Reprogrammez tous les accessoires que vous souhaitez utiliser.

### SUPPRESSION DU RÉSEAU WI-FI DU SYSTÈME D'OUVERTURE DE PORTE DE GARAGE

1. Actionnez et maintenez le bouton de réglage noir (A) du système d'ouverture de porte de garage jusqu'à ce que vous entendez trois signaux sonores (env. 6 secondes).

### SUPPRESSION D'UN COMPTE MYQ

Allez sur [myliftmaster.eu](http://myliftmaster.eu) pour supprimer votre compte MyQ

---

## 28 Maintenance de votre système d'ouverture de porte de garage

### PLANNING DE MAINTENANCE

#### TOUS LES MOIS

- Actionnez manuellement la porte. Si elle est déséquilibrée ou grippée, faites appel à un technicien formé en matière de portes.
- Contrôlez que la porte s'ouvre et se ferme intégralement. Réglez les fins de course le cas échéant (voir le Point 20 « Programmation de la course »).
- Répétez le test d'inversion de marche de sécurité. Procédez à tous les réglages nécessaires (voir le Point 21 « Essais du système d'inversion de marche de sécurité »).

#### TOUS LES ANS

- Lubrifiez les galets de porte, les paliers et les charnières. Le système d'ouverture de porte de garage ne requiert aucune lubrification complémentaire. Ne graissez pas les rails de la porte.

### ÉCLAIRAGE LED DÉPORTÉ MYQ

- Débranchez l'éclairage avant de le nettoyer.
  - Utilisez un chiffon légèrement humide pour le nettoyage.
  - N'utilisez PAS de détergents liquides sur la lentille de l'éclairage.
- 

## 29 Remplacement des piles de la télécommande

### Piles de la télécommande :

Les piles dans la télécommande sont extrêmement durables. Lorsque la portée de transmission diminue, les piles doivent être remplacées. Les piles ne sont pas couvertes par la garantie.

### Veillez noter les consignes suivantes pour les piles :

Les piles ne sont pas des déchets ménagers. Tous les consommateurs sont tenus légalement à remettre les piles aux points de collecte prévus à cet effet. Ne rechargez jamais des piles qui ne sont pas destinées à être rechargées.

### Risque d'explosion !

Tenez les piles à l'écart des enfants, ne les court-circuitiez pas et ne les désassemblez pas. Consultez immédiatement un médecin en cas d'ingestion d'une pile. Le cas échéant, nettoyez les contacts de la pile et de l'appareil avant de recharger les piles. Retirez immédiatement les piles usagées de l'appareil !

### Risque accru de fuites !

N'exposez jamais les piles à une chaleur excessive telle que la lumière directe du soleil, au feu ou similaire !

Risque accru de fuites !

Évitez le contact avec la peau, les yeux et les muqueuses. Rincez les parties touchées par l'acide des piles avec beaucoup d'eau froide, puis consultez immédiatement un médecin. Utilisez uniquement des piles du même type. Retirez les piles si l'appareil n'est pas utilisé pendant une durée prolongée.

### Remplacement de la pile :

Pour remplacer la pile, tournez-la à l'envers et ouvrez le boîtier avec un tournevis. Levez le cache et la carte électronique en-dessous. Glissez la pile sur le côté et retirez-la. Veillez à la polarité de la pile ! Remontez le boîtier en procédant dans l'ordre inverse.

### ATTENTION !

Risque d'explosion si la pile n'est pas positionnée correctement. Ne remplacez la pile que par une pile du même type ou d'un modèle équivalent (CR2032) de 3V.

## 30 Mise au rebut

L'emballage doit être jeté dans les déchets recyclables (sac jaune). Selon la directive européenne 2002/96/CE relative aux déchets électroniques, cet appareil doit être mis au rebut correctement en fin de vie afin d'assurer le recyclage des matières revalorisables.



Les accus et piles usagés ne doivent pas être jetés aux ordures ménagères, puisqu'ils contiennent des polluants. Ils doivent être remis à des points de collecte municipaux ou jetés dans les récipients fournis à cet effet par les revendeurs. Les réglementations nationales doivent être respectées. Les éléments doivent être remis à une société spécialisée dans le traitement des déchets. Les réglementations locales et nationales en vigueur doivent être respectées. Les éléments d'entraînement ne doivent pas être jetés aux ordures ménagères.

Les autorités compétentes (mairies) ou les entreprises de traitement de déchets se feront un plaisir de vous informer au sujet des possibilités de mise au rebut.

## 31 Fiche de diagnostic

Votre système d'ouverture de porte de garage possède des capacités d'auto-diagnostic.

Les codes de diagnostics sont indiqués par les clignotements des flèches HAUT et BAS du système d'ouverture de porte de garage.

CODE DE DIAGNOSTIC		SYMPTÔME	SOLUTION
Flèche HAUT Clignote	Flèche BAS Clignote)		
1	1	Le système d'ouverture de porte de garage ne ferme pas et le voyant clignote.	Si des cellules lumineuses infrarouge sont installées, elles sont débranchées ou le câble est coupé. Contrôlez si les câbles de capteur sont correctement branchés et en parfait état.
1	2	Le système d'ouverture de porte de garage ne ferme pas et le voyant clignote.	Le branchement des cellules lumineuses infrarouge présente un court-circuit ou un branchement de câble inversé. Contrôlez le câblage des cellules lumineuses au niveau de tous les points de connexion et remplacez ou corrigez le câblage le cas échéant.
1	3	La commande de porte ne fonctionne pas.	Les câbles de la commande de porte sont court-circuités ou la commande de porte est défectueuse. Contrôlez le câblage de la commande de porte au niveau de tous les points de connexion et remplacez ou corrigez le câblage le cas échéant.
1	4	Le système d'ouverture de porte de garage ne ferme pas et le voyant clignote.	Si des cellules lumineuses infrarouges sont installées, elles sont mal alignées ou le faisceau est interrompu temporairement. Réalignez les deux capteurs pour assurer que les LED s'allument en continu, sans scintiller. Assurez-vous que rien n'est suspendu ou fixé à la porte, qui puisse interrompre le faisceau des capteurs lors de la fermeture.
1	5	La porte se déplace sur 15 20 cm, puis s'immobilise ou inverse son sens de marche.	Ouvrez et fermez la porte à la main. Contrôlez l'absence de grippages et d'obstacles tels qu'un ressort rompu ou un verrouillage de la porte, réparez ou corrigez le cas échéant. Contrôlez le câblage du module de course et de la carte électronique. Remplacez le module de course le cas échéant.
1	5	Aucun mouvement, seulement un cliquetis unique.	Ouvrez et fermez la porte à la main. Contrôlez l'absence de grippages et d'obstacles tels qu'un ressort rompu ou un verrouillage de la porte, réparez ou corrigez le cas échéant. Remplacez la carte électronique le cas échéant.
1	5	Le système d'ouverture bourdonne pendant 1-2 secondes, aucun mouvement.	Ouvrez et fermez la porte à la main. Contrôlez l'absence de grippages et d'obstacles tels qu'un ressort rompu ou un verrouillage de la porte, réparez ou corrigez le cas échéant. Remplacez le moteur le cas échéant.
1	6	La porte dérive après s'être immobilisée.	Programmez la course jusqu'à la position de dérive ou faites équilibrer la porte par un technicien formé.
2	1-5	Aucun mouvement ni bruit.	Remplacez la carte électronique.
3	1	Le système d'ouverture de porte de garage se déplace légèrement, puis s'immobilise.	Actionnez une nouvelle fois le système d'ouverture de porte de garage. Si le problème persiste, remplacez la carte électronique.
3	3	La LED d'état de la batterie clignote constamment en vert.	Erreur du circuit de charge de la batterie de secours, remplacez la carte électronique.

CODE DE DIAGNOSTIC		SYMPTÔME	SOLUTION
Flèche HAUT Clignote	Flèche BAS Clignote		
3	5	Le système d'ouverture de porte de garage ne ferme pas ou la porte inverse son sens de marche pendant sa course.	Si deux capteurs de tension de câble ont été installés auparavant, et que l'un d'eux a été retiré, débranchez et rebranchez trois fois le système d'ouverture pour enregistrer le capteur dans le système d'ouverture. • Contrôlez la présence éventuelle d'obstacles et retirez-les. • Contrôlez que le capteur de tension de câble est correctement branché au système d'ouverture. • Remplacez le capteur de tension de câble.
4	1-4	La porte s'immobilise ou inverse son sens de marche.	Ouvrez et fermez la porte à la main. Contrôlez l'absence de grippages et d'obstacles tels qu'un ressort rompu ou un verrouillage de la porte, réparez ou corrigez le cas échéant. Si la porte est grippée ou bloquée, faites appel à un technicien formé en matière de portes. Si la porte n'est ni grippée, ni bloquée, tentez de reprogrammer la course.
4	5	Le système d'ouverture se déplace sur env. 15-20 cm, s'immobilise, puis inverse son sens de marche.	Erreur de communication avec le module de course. Contrôlez les branchements du module de course, remplacez le module le cas échéant.
4	6	Le système d'ouverture de porte de garage ne ferme pas et le voyant clignote.	Les cellules lumineuses infrarouges sont mal alignées ou le faisceau est interrompu temporairement. Réalignez les deux capteurs pour assurer que les LED s'allument en continu, sans scintiller. Assurez-vous que rien n'est suspendu ou fixé à la porte, qui puisse interrompre le faisceau des capteurs lors de la fermeture.
5	5	La porte ne ferme pas lors de l'utilisation de la fonction « Timer-to-close » ou de la commande de smartphone MyQ.	L'éclairage LED déporté MyQ doit être installé pour utiliser les fonctions TTC ou MyQ pour commander la porte. Branchez l'éclairage LED déporté MyQ et assurez-vous qu'il est enregistré dans le système d'ouverture de porte de garage.

## 32 Recherche des défaillances

**Le système d'ouverture de porte de garage ne peut être commandé ni au moyen de la commande de porte, ni via la télécommande :**

- Le système d'ouverture de porte de garage est-il raccordé à l'alimentation électrique ? Branchez une lampe à la prise. Si elle ne s'allume pas, contrôlez les fusibles ou le coupe-circuit. (Certaines prises sont activées par un interrupteur.)
- Avez-vous désactivé tous les verrouillages de porte ? Reportez-vous aux mises en garde dans les consignes d'installation en page 5.
- Les câblages sont-ils corrects ?
- La glace ou la neige se sont-elles accumulées sous la porte ? La porte peut être gelée au sol. Éliminez les blocages.
- Le ressort de la porte de garage peut être rompu. Faites-le remplacer (voir le point 3 Planification).

**Le système d'ouverture de porte de garage peut être commandé depuis le boîtier de commande à un bouton, mais pas à l'aide de la télécommande :**

- Reprogrammez la télécommande et remplacez la pile le cas échéant. Faites-le avec toutes les télécommandes.

**La porte s'ouvre et se ferme d'elle-même :**

- Assurez-vous que tous les boutons-poussoir de télécommande sont éteints.
- Débranchez le câble de carillon du boîtier de commande à un bouton et commandez le système depuis la télécommande uniquement. Si cela résout le problème, le boîtier de commande à un bouton est défectueux ou le câblage présente un court-circuit. Remplacez le boîtier de commande.
- Effacez la mémoire et reprogrammez toutes les télécommandes (reportez-vous aux consignes fournies avec la télécommande ou rendez vous sur LiftMaster.eu).

**Ma télécommande ne pilote pas la porte de garage :**

- Vérifiez que la fonction de verrouillage n'est pas activée sur la commande de porte.
- Reprogrammez la télécommande.
- Si la télécommande ne permet toujours pas de commander la porte, vérifiez les codes de diagnostic pour vous assurer que le système d'ouverture de porte de garage fonctionne correctement.

**La portée de ma télécommande est faible :**

- Déplacez la télécommande dans votre voiture.
- La portée de certaines installations est plus faible en raison de la présence d'une porte métallique, d'une isolation doublée d'un film ou des cloisons métalliques du garage.

**La porte ne s'ouvre pas entièrement :**

- Contrôlez l'alimentation de la serrure du garage.
- Un obstacle gêne-t-il le mouvement de la porte ? La porte est-elle déséquilibrée ou les ressorts sont-ils brisés ? Éliminez l'obstacle ou réparez la porte.

**La porte s'ouvre, mais ne se ferme pas :**

- Contrôlez que le capteur de tension de câble est correctement installé. Si un second capteur de tension de câble a été retiré, suivez les instructions pour réeffectuer l'apprentissage d'un capteur de tension de câble unique (voir le Point 14).
- Les cellules lumineuses infrarouge doivent être branchées et installées correctement avant que le système d'ouverture de porte de garage ne soit actionné vers le bas. Si vous pouvez fermer la porte en exerçant une pression constante, vérifiez que les cellules lumineuses infrarouge soient correctement installées, alignées et qu'aucun obstacle n'empêche leur bon fonctionnement.
- Si les voyants du système d'ouverture de porte de garage clignotent, contrôlez les cellules lumineuses infrarouge.
- Si les voyants du système d'ouverture de porte de garage ne clignotent pas et qu'il s'agit d'une installation neuve (voir le Point 14). Pour une installation existante, voir ci-dessous.

Répétez l'essai d'inversion de marche de sécurité après la fin du réglage.

**La porte inverse son sens de marche sans raison apparente et les voyants du système d'ouverture de porte de garage ne clignotent pas :**

- Contrôlez que le capteur de tension de câble est correctement installé. Si un des capteurs de câble est retiré, il convient de débrancher les deux capteurs du système d'ouverture. Puis branchez le capteur que vous souhaitez utiliser, puis branchez le système d'ouverture trois fois pour effectuer l'apprentissage du capteur pour le système d'ouverture. La résistance 1k fournie sert uniquement à la recherche de défaillance sur l'installation CTM. Selon EN 12453, la surveillance de tension de câble doit être installée pour détecter tout mou de câble éventuel.
- Un obstacle gêne-t-il le mouvement de la porte ? Tirez sur la poignée de déverrouillage de secours. Actionnez la porte à la main. Si elle est déséquilibrée ou grippée, faites appel à un technicien formé en matière de portes.
- Éliminez la glace ou la neige accumulées dans la zone du sol du garage sur laquelle la porte ferme.
- Reportez-vous au Point 20.

Répétez l'essai d'inversion de marche de sécurité après la fin du réglage.

**Ma porte ne ferme pas et le voyant clignote :**

Les cellules lumineuses infrarouge doivent être branchées et installées correctement avant que le système d'ouverture de porte de garage ne soit actionné vers le bas.

Vérifiez que les cellules lumineuses infrarouge soient correctement installées, alignées et qu'aucun obstacle ne gêne le bon fonctionnement.

**Le système d'ouverture de porte de garage peine pour actionner la porte :**

- La porte peut être déséquilibrée ou les ressorts rompus. Fermez la porte et utilisez la poignée de déverrouillage de secours pour désaccoupler la porte. Ouvrez et fermez la porte à la main. Une porte correctement équilibrée reste immobile en un point quelconque de sa course, puisqu'elle est retenue entièrement par ses ressorts. Si elle ne reste pas en position, débranchez le système d'ouverture de porte de garage et faites appel à un technicien formé en matière de systèmes de portes.

**Le moteur du système d'ouverture de porte de garage bourdonne brièvement, puis se coupe :**

- Les ressorts de la porte de garage peuvent être rompus. Voir ci-dessus.
- Si le problème survient au premier actionnement du système d'ouverture de porte de garage, la porte est peut être verrouillée. Désactivez le verrouillage de porte.

**Le système d'ouverture de porte de garage ne fonctionne pas en raison d'une panne de courant :**

- Désactivez manuellement le verrouillage de porte.
- Utilisez la poignée de déverrouillage de secours pour désaccoupler la porte. La porte peut à présent être ouverte et fermée à la main. Lorsque l'alimentation électrique est rétablie, tirez une seconde fois sur le déverrouillage de secours.
- Désactivez tous les verrouillages de porte. Utilisez la poignée de déverrouillage de secours pour désaccoupler la porte. La porte peut à présent être ouverte et fermée à la main.

**La porte perd ses fins de course :**

- Le collet n'est pas correctement serré. Serrez le collet et reprogrammez les fins de course (voir le Point 20).

**Le système d'ouverture de porte de garage effectue un mouvement lors du fonctionnement de la porte :**

- Quelques mouvements mineurs sont normaux pour ce produit. S'ils sont importants, le collet s'usera prématurément.
- Contrôlez que la barre de torsion ne se déplace pas trop vers la droite/gauche.
- Contrôlez que la barre de torsion ne se déplace pas visiblement vers le haut ou le bas lors de sa rotation.
- Contrôlez que le système d'ouverture est monté à angle droit de l'arbre de renvoi secondaire. Si ce n'est pas le cas, repositionnez la console de montage.

**Le connecteur du verrouillage de porte automatique ne correspond pas au connecteur du système d'ouverture de porte :**

- Les modèles plus anciens de verrouillages de portes 24V ne sont pas compatibles. Utilisez le modèle de verrouillage de porte automatique 841EU, voir la section Accessoires.

**Le verrouillage de porte de garage automatique ne s'active pas lorsque la porte s'ouvre ou se ferme :**

- Dans le mode de secours de la batterie, le verrouillage de la porte de garage automatique se déverrouille jusqu'à ce que l'alimentation électrique soit rétablie.

**Le système d'ouverture de porte émet un signal sonore :**

- Ce signal indique une fermeture non surveillée. Le système d'ouverture a été activé via l'application MyQ ou au moyen du système de surveillance de garage et de portail.
- Une LED allumée en continu avec un signal sonore env. toutes les 2 secondes indique que le système d'ouverture de porte fonctionne sur batterie.
- Une LED orange clignotante avec un signal sonore env. toutes les 30 secondes indique que la batterie est faible.
- Une LED rouge allumée en continu avec un signal sonore env. toutes les 30 secondes indique que la batterie 12 V ne tient plus la charge et doit être remplacée.

**La porte de garage émet un signal sonore et la LED rouge clignote :**

La batterie est faible ou épuisée.

- Remplacer la pile.

**La commande smartphone MyQ, les appareils MyQ sans fil et la fonction Timer-To-Close ne fonctionnent pas :**

- En mode de secours de la batterie, la commande de smartphone MyQ, les appareils MyQ sans fil et la fonction Timer-to-Close seront désactivés.
- L'éclairage LED déporté MyQ doit être installé pour permettre l'utilisation des fonctions Timer-to-Close ou la commande smartphone MyQ. Branchez l'éclairage LED déporté MyQ et assurez-vous qu'il est enregistré dans le système d'ouverture de porte de garage. L'activation des fonctions Timer-to-Close et commande smartphone MyQ peut prendre jusqu'à 5 minutes.

### 33 Accessoires optionnels

Utilisez toujours des accessoires LiftMaster.

Les produits de fabricants tiers peuvent occasionner des dysfonctionnements

1.	TX4UNIF	Télécommande universelle à 4 canaux
2.	TX4EVS	Télécommande à 4 canaux
3.	TX4UNI/S	Télécommande universelle à 4 canaux
4.	128EV	Commande murale sans fil 2 canaux
5.	747EV	Pavé de touches
6.	78EV	Commande murale filaire multifonctionnelle
7.	FLA-1LED	Feu flash
8.	772E	Cellules lumineuses
9.	100034	Commutateur à clé (encasté)
10.	100041	Commutateur à clé (en applique)
11.	829EV	Dispositif de surveillance de porte de garage
12.	485EU	Batterie de secours
13.	827EV	Éclairage LED déporté MyQ
14.	041A9264	Capteur de tension de câble
15.	841EU	Verrouillage de porte automatique

### 34 Caractéristiques techniques

Tension d'entrée	230-240 VCA, 50 Hz
Couple max.	36 Nm - AC + BATTERIE 29 Nm - AC
Couple nominal	10 Nm
Puissance	150 W
Puissance en veille	2,6 W
Type de moteur	Motoréducteur CC à lubrification à vie
Niveau de bruit	57dB
Vitesse de course	21 tr/min (abaissement), 36 tr/min (levage)
Sécurité des personnes	Bouton-poussoir et arrêt automatique à l'abaissement. Bouton-poussoir et arrêt automatique au levage.
Électronique	Réglage automatique de la force
Électrique	Dispositif de protection contre les surcharges du transformateur et câblage du bouton-poussoir basse tension.
Fin de course	Détecteur optique RPM/Passpoint.
Réglage de fin de course	Électronique, semi-automatique et automatique.
Circuit de démarrage	Circuit du bouton-poussoir basse tension.
Hauteur max. de la porte	3 m
Largeur max. de la porte	5,5 m
Surface max. de la porte	16,5 m <sup>2</sup>
Poids max. de la porte	130 kg
Poids suspendu	11 kg
Mémoires de récepteurs	64
Fréquence de service	433 / 868 MHz, 2,4 GHz

## 35 Guide de sécurité et de maintenance du système d'ouverture de porte de garage automatique

### SÉCURITÉ DE SYSTÈME D'OUVERTURE DE PORTE DE GARAGE – UNE DÉCISION AUTOMATIQUE

**Une porte de garage est l'élément mobile le plus volumineux d'un logement. Une porte de garage et un système d'ouverture mal réglés peuvent appliquer une force mortelle pendant la fermeture de la porte et occasionner des blessures graves ou mortelles par écrasement chez les enfants ou les adultes.**

L'installation, l'utilisation, la maintenance et les essais conformes de la porte de garage et du système d'ouverture automatique sont indispensables pour assurer le fonctionnement sûr et fiable de l'installation. Une utilisation non conforme ou le fait de laisser les enfants jouer avec les commandes du système d'ouverture de porte de garage ou les utiliser occasionne des situations dangereuses qui peuvent conduire à des issues tragiques. Quelques simples précautions peuvent protéger votre famille et vos amis contre les risques potentiels. Lisez attentivement les consignes de sécurité et de maintenance figurant dans la présente notice et conservez-la pour pouvoir vous y reporter ultérieurement. Contrôler le bon fonctionnement de votre de garage et du système d'ouverture pour vous assurer de leur fonctionnement sûr et fiable. Assurez-vous de lire attentivement toutes les consignes de sécurité figurant dans le manuel de votre système d'ouverture de porte de garage, puisque vous y trouverez de plus amples détails et remarques au sujet de la sécurité que ceux qui sont compilés dans la présente notice.

Les systèmes d'ouverture de porte de garage ne sont pas des jouets

**Expliquez à vos enfants les mesures de sécurité à prendre à proximité de la porte de garage et du système d'ouverture. Expliquez-leur les risques d'écrasement sous la porte**



**Restez à l'écart de la porte en mouvement.**



**Conservez les émetteurs et télécommandes hors de portée des enfants.** Ne laissez pas les enfants jouer avec ou utiliser les émetteurs ou d'autres télécommandes.



**Le bouton-poussoir mural doit être hors de portée des enfants, c'est-à-dire à au moins 1,50 m de la prochaine surface sur laquelle un enfant peut se tenir debout, et à l'écart de tous les éléments en mouvement.** Installez et utilisez le bouton depuis un endroit d'où vous avez une vue parfaite sur la porte de garage en mouvement.



**Observez la porte jusqu'à ce qu'elle soit entièrement fermée** lorsque vous utilisez le bouton-poussoir mural ou un émetteur.



## 36 La maintenance de routine peut éviter les accidents tragiques

Procédez à des contrôles et essais mensuels de votre porte de garage et système d'ouverture dans le cadre de votre routine normale. Reportez-vous à votre manuel d'utilisateur pour la porte et le système d'ouverture de porte. Si vous ne possédez pas le manuel d'utilisateur, contactez le fabricant pour demander une copie correspondant à votre modèle spécifique. Le n° du modèle de votre système d'ouverture se trouve au dos du module d'alimentation.



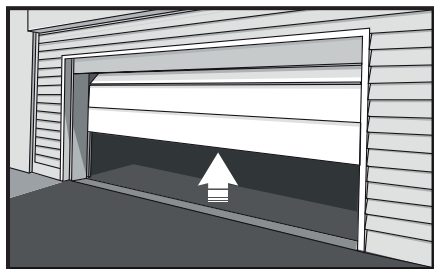
**AVERTISSEMENT – les ressorts sont sous une tension importante.**  
Leur réglage ne doit être réalisé que par des personnes qualifiées.

### Effectuez un contrôle visuel de la porte et de l'installation :



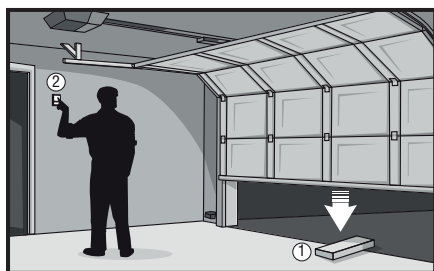
- En commençant par la porte fermée, utilisez le déverrouillage manuel du système d'ouverture pour désaccoupler la porte.
- Recherchez des signes d'usure ou de détériorations sur les charnières, les galets, les ressorts et les panneaux de la porte.
- Ces éléments peuvent exiger une lubrification occasionnelle. Reportez-vous au manuel d'utilisateur pour les opérations de maintenance recommandées.
- En cas de dommages visibles, faites intervenir un technicien qualifié en matière de systèmes de portes.
- Assurez-vous que les cellules lumineuses se situent au maximum à 15 cm au-dessus du sol du garage.

### Testez le bon fonctionnement de la porte :



- Ouvrez et fermez la porte à la main en utilisant des poignées ou d'autres points de manipulation adaptés.
- La porte doit se déplacer facilement et sans problèmes.
- La porte doit être équilibrée et rester partiellement ouverte à 90-120 cm du sol.
- En cas de signes de dysfonctionnements, faites intervenir un technicien qualifié en matière de systèmes de portes.

### Testez les fonctions de sécurité du système d'ouverture :



- Réaccouplez le système d'ouverture à la porte à l'aide du déverrouillage manuel et ouvrez la porte.
- Placez une planche d'une épaisseur de 40 mm sous la trajectoire de la porte (1) et tentez de la fermer (2). La porte doit s'immobiliser lorsqu'elle entre en contact avec la planche, puis inverser son sens de marche.
- Bloquez le capteur à cellules lumineuses en plaçant un objet devant le capteur et tentez de fermer la porte. La porte ne doit pas se fermer tant que bouton-poussoir mural n'est pas maintenu appuyé à la main pendant l'opération.
- Si le système d'ouverture ne fonctionne pas conformément à la description, faites intervenir un technicien qualifié en matière de systèmes de portes.

**Opmerking:**

De oorspronkelijke installatie- en gebruiksaanwijzingen zijn in het Engels opgesteld.  
Iedere andere beschikbare taal is een vertaling van de oorspronkelijke Engelse versie.

<b>1</b>	Algemene veiligheidsrichtlijnen .....	2
<b>2</b>	Gebruiksbestemming .....	3
<b>3</b>	Planning van het gebruik van de poort .....	3
<b>4</b>	Planning voor het gebruik van MyQ .....	3
<b>5</b>	Vorbereiding van uw garagepoort .....	4
<b>6</b>	Vereiste gereedschappen .....	4
<b>7</b>	Inhoud van de doos .....	4
<b>8</b>	Vereiste accessoires .....	4
<b>9</b>	Attach the Collar to the Garage Door Opener .....	5
<b>10</b>	De montagebeugel op de garagepoortopener bevestigen .....	5
<b>11</b>	Positioneer en monteer de garagepoortopener .....	5
<b>12</b>	Bevestig het noodontgrendelingsstuw en de hendel .....	5
<b>13</b>	Het automatische deurslot installeren .....	6
<b>14</b>	De kabelspanningsmeter bevestigen (041A9264) (verplichte accessoire) .....	6
<b>15</b>	MyQ Remote LED Light installeren (enkel ontworpen voor droge ruimtes) .....	7
<b>16</b>	Elektrische aansluiting .....	7
<b>17</b>	Installatie van fotocellen .....	7
<b>18</b>	Stroom aansluiten .....	8
<b>19</b>	De reservebatterij installeren (optionele accessoire) .....	8
<b>20</b>	De beweging programmeren .....	9
<b>21</b>	Test van de veiligheidsomkering .....	9
<b>22</b>	De poort manueel openen .....	10
<b>23</b>	Gebruik van uw garagepoortopener .....	10
<b>24</b>	Een verbinding maken met uw smartphone .....	12
<b>25</b>	Programmeer uw opener en afstandsbediening / de draadloze drukknop / draadloze afstandsbediening (optioneel) .....	13
<b>26</b>	Het MyQ Remote LED-licht programmeren .....	13
<b>27</b>	Het geheugen wissen .....	14
<b>28</b>	Onderhoud van uw garagepoortopener .....	14
<b>29</b>	Batterijen van de afstandsbediening vervangen .....	14
<b>30</b>	Verwijdering .....	15
<b>31</b>	Diagnostische kaart .....	15
<b>32</b>	Problemen oplossen .....	16
<b>33</b>	Optionele accessoires .....	18
<b>34</b>	Technische specificaties .....	18
<b>35</b>	Veiligheids- & onderhoudsgids van de automatische garagepoortopener .....	19
<b>36</b>	Routineus onderhoud van tragedies voorkomen .....	20

# WAARSCHUWING

## LEES EERST DEZE BELANGRIJKE VEILIGHEIDSINSTRUCTIES!

### 1 Algemene veiligheidsrichtlijnen

Voordat u met de installatie begint:

Lees de gebruiksaanwijzingen en vooral de voorzorgsmaatregelen. Bewaar de handleiding voor later gebruik en geef ze door aan een eventuele volgende eigenaar. De volgende symbolen worden voor instructies geplaatst om lichamelijke letsels of materiële schade te voorkomen. Neem deze instructies aandachtig door.



#### OPGELET

Lichamenlijk letsel of materiële schade



#### OPGELET

Gevaar door elektrische stroom of spanning

#### Belangrijke veiligheidsinformatie

De automatische poortopener is getest en ontworpen voor een veilige werking. De veiligheid kan echter enkel worden gegarandeerd, indien de onderstaande veiligheidsinstructies nauwgezet worden gevolgd tijdens de installatie en het gebruik. Dit product is enkel bestemd voor installatie door opgeleide poorttechnici. Dit product kan aanpassingen aan poortveren en/of spoorconfiguraties vereisen. Dit product is niet bestemd voor gebruik op sporen met weinig hoofdruimte en met ophaaltrommel buiten of garagedeuren die trekveren gebruiken.

- De installateur (specialist) moet deze instructies aandachtig lezen en begrijpen vooraleer met het werk te beginnen. Voor het eerste gebruik en minstens jaarlijks moet specialist controleren of elektrisch bediende ruiten, deuren en poorten veilig werken. Een specialist is iemand die op basis van zijn technische opleiding en ervaring voldoende kennis heeft op het gebied van elektrische ruiten, deuren en poorten en die bovendien in zulke mate vertrouwd is met de desbetreffende overheidsvoorschriften inzake arbeidsveiligheid en algemeen aanvaarde regels van de technologie dat hij ook de veilige werking van elektrische ruiten, deuren en poorten kan beoordelen.
- De installateur moet kennis van de volgende normen hebben: EN 13241, EN 12604, EN 12453. De opgeleide specialist/expert moet de gebruiker instructies geven over:
  - De werking van de aandrijving en de gevaren ervan
  - De hantering van het manuele noodontgrendelingsmechanisme
  - Gewoon onderhoud, inspectie en zorg, en zijn taken
  - De gebruiker moet de andere gebruikers instructies geven over het gebruik van de aandrijving. Na de succesvolle installatie van de aandrijving moet de verantwoordelijke voor de installatie van de aandrijving een EG-verklaring van overeenstemming van het poortsysteem uitschrijven in overeenstemming met de machinerichtlijn 2006/42/EG. Het CE-merk en een typeplaatje moeten op het poortsysteem worden aangebracht. Dit is eveneens verplicht bij het upgraden van een handmatig bediende poort. Verder moet een overdrachtsprotocol en een inspectieboek worden ingevuld.
- De poort moet worden gebalanceerd. Niet bewegende of vast zittende poorten moeten worden hersteld. In ongebalanceerde staat staan garagepoorten, poortveren, kabels, schijven, armen en rails onder extreme spanning, wat tot ernstige verwondingen kan leiden. Probeer de poort niet los te maken, te bewegen of opnieuw uit te lijnen, maar neem contact op met het servicecentrum of een poortspecialist.
- Tijdens de installatie of het onderhoud van een poortopener mogen geen juwelen, horloges of losse kleding worden gedragen.
- Om ernstige verwondingen door verstriking te voorkomen, moeten alle met de poort verbonden kabels en kettingen worden verwijderd vooraleer de poortopener wordt geïnstalleerd.
- Tijdens de installatie en elektrische aansluiting moeten de plaatselijke bouw- en elektrische voorschriften worden nageleefd.
- De installatie van de kabelspanningsmeter is vereist overeenkomstig EN12453.
- Om schade aan zeer lichte poorten (zoals vezelglas, aluminium of stalen poorten) te vermijden, moet een gepaste versteviging worden aangebracht. Neem daarvoor contact op met de fabrikant.
- De automatische omkeerbeveiliging moet aan een test worden onderworpen. Bij contact met een 40 mm hoge barrière op de grond MOET de garagepoort omkeren. Indien de poortopener niet goed wordt afgesteld, kan dit leiden tot ernstige verwondingen bij het sluiten van de garagepoort. Herhaal de test maandelijks en breng eventuele wijzigingen aan.
- Dit systeem mag niet op vochtige of natte plaatsen worden geïnstalleerd.
- Tijdens het gebruik mag de poort in geen enkel geval publieke doorgangen belemmeren.
- Om alle gebruikers aan de veilige werking te herinneren, moet naast de verlichte wandschakelaar een waarschuwingsteken worden aangebracht om kinderen te beschermen. De waarschuwingstekens over het valrisico moeten op duidelijk zichtbare plaatsen worden geplaatst.
- Kinderen moeten onder toezicht worden gehouden om ervoor te zorgen dat ze niet met het toestel spelen. Laat kinderen geen drukknop(pen) of afstandsbediening(en) bedienen.
- Dit toestel is niet bestemd voor gebruik door personen (met inbegrip van kinderen) met beperkte fysieke, zintuiglijke of mentale capaciteiten of met een gebrek aan ervaring en/of kennis, tenzij ze onder toezicht staan van een persoon die verantwoordelijk is voor hun veiligheid of instructies heeft ontvangen over het gebruik van het toestel.
- Alle barrières / vergrendelingen zijn uitgeschakeld om schade aan de poort te vermijden.
- Indien nodig, MOET geïnstalleerde controleapparatuur in het zicht van de poort en buiten het bereik van kinderen worden gemonteerd. Kinderen mogen de knoppen of afstandsbedieningen niet bedienen. Verkeerd gebruik van de poortopener kan tot ernstige letsels leiden.
- De poortopener mag ENKEL worden gebruikt indien de gebruiker de volledige poortomgeving kan zien en er zeker van is dat deze vrij is van obstakels en dat de poortopener correct is ingesteld. Niemand mag door de poort gaan wanneer ze in beweging is. Kinderen mogen niet in de omgeving van de poort spelen.
- Gebruik de manuele vrijgave enkel om de wagen van de aandrijving te scheiden en - indien mogelijk - ENKEL met de poort gesloten. Gebruik de rode hendel niet om de poort omhoog omhoog te duwen of omlaag te trekken.

- Vooraleer u herstellingen uitvoert of afdekkingen verwijdert, moet de poortopener van het stroomnet worden gekoppeld. De herstellingen en elektrische installaties mogen enkel door een geschoolde elektrotechnicus worden uitgevoerd.
- Dit product heeft een transformator met een speciaal stroomsnoer. In geval van beschadiging MOET dit door een geschoolde elektrotechnicus worden vervangen door een originele transformator.
- Gebruik van de noodontgrendeling kan leiden tot ongecontroleerde bewegingen van de poort, indien de veren zwak of gebroken zijn of indien de poort ongebalanceerd is.
- Monteer de ontgrendelingshendel van de noodontgrendeling op een hoogte van minder dan 1,80 m.
- De Timer-to-Close (TTC) functie, de MyQ Smartphone Control app, en MyQ Garage Door en Gate Monitor zijn voorbeelden van onbewaakte sluiting en mogen ENKEL met sectionele poorten worden gebruikt. Toestellen of functies die de poort buiten het zicht laten sluiten, worden beschouwd als een onbewaakte sluiting. De Timer-to-Close (TTC) functie, de MyQ Smartphone Control, en andere MyQ toestellen mogen ENKEL met sectionele poorten worden gebruikt.
- De aandrijving mag niet worden gebruikt, wanneer in de garagepoort een klinkeldeur aanwezig is.

Bewaar deze instructies.

## 2 Gebruiksbestemming

Dit toestel is bestemd voor het openen en sluiten en poorten die een torsiestang en veren gebruiken (raadpleeg deel 3 "Planning"). Dit toestel is niet bestemd voor commercieel gebruik, enkel voor gebruik in privé-garagepoorten die geschikt zijn voor een gezin. Verkeerd gebruik van de aandrijving kan het risico op ongevallen verhogen. De fabrikant aanvaardt geen aansprakelijkheid voor zulk gebruik. Alleen de originele accessoires van LiftMaster mogen op de aandrijving worden aangesloten. Met deze aandrijving moeten automatische poorten voldoen aan de momenteel geldende internationale, nationale en plaatselijke normen, richtlijnen en voorschriften (EN 13241, EN 12453 en EN 12604).

## 3 Planning van het gebruik van de poort

Observeer uw omgeving om te zien of de onderstaande omstandigheden van toepassing zijn op uw installatie.

Afhankelijk van uw vereisten kunnen extra materialen nodig zijn

**DEZE POORTOPENER IS COMPATIBEL MET:**

- Poorten die gebruik maken van een torsiestang en veren. De torsiestang moet een diameter van 25,4 mm hebben. NIET compatibel met omgekeerde trommels.
- Trommels van 80-120 mm, niet te gebruiken op getapte trommels van meer dan 120 mm.
- Sectionele poorten van 3 m standaard hoogte.
- Poorten met een breedte tot 5,5 m.
- Poorten tot 16,5 m<sup>2</sup>.

*OPMERKINGEN: Inspecteer de torsiestang terwijl de poort is opgetrokken of neergelaten. Het is van belang dat er geen waarneembare beweging omhoog en omlaag of naar links en rechts is. Als de beweging niet wordt gecorrigeerd, wordt de levensduur van de garagepoortopener aanzienlijk verminderd.*

Controleer of inspecteer de voorgestelde installatieplaats. De poortopener kan aan de linker- of rechterkant van de poort worden geïnstalleerd. Selecteer de zijde die voldoet aan de onderstaande vereisten.

- Moet minstens 6,4 cm tussen de muur en het midden van de torsiestang hebbe.
- Moet minstens 7,6 cm tussen het plafond en het midden van de torsiestang hebben.
- Moet minstens 21,6 cm tussen de zijmuur (of obstructie) en het einde van de torsiestang hebben.
- De torsiestang moet minstens 3,81 cm voorbij het lager uitsteken. Dit kan variëren naargelang uw installatievereisten.
- Er is een stopcontact vereist binnen 1,83 m van de installatieplaats. Als er geen stopcontact is, neem dan contact op met een geschoolde elektrotechnicus.

## 4 Planning voor het gebruik van MyQ

Deze installatie kan worden gecontroleerd door MyQ - fotocellen, die moeten worden geïnstalleerd. Volg en controleer uw garagepoort van overal met de MyQ app.

**VOORDAT U BEGINT:**

U heeft nodig:

- Smartphone, tablet of laptop met wifi
- Breedband internetverbinding
- Wifi-sigitaal in de garage (2,4 Ghz, 802,11b/g/n vereist)
- Wachtwoord voor uw thuisnetwerk (hoofdaccount van de router, niet het gastnetwerk)

**TEST DE STERKTE VAN HET WIFI-SIGNAAL**

Zorg ervoor dat uw mobiel toestel is verbonden met uw wifi-netwerk.

Houd uw mobiel toestel op de plaats waar uw poortopener wordt geïnstalleerd en controleer de sterkte van het wifi-sigitaal.

**Wifi-sigitaal is sterk.**

De poortopener maakt verbinding met uw wifi-netwerk.

**Wifi-sigitaal is zwak.**

De poortopener maakt een verbinding maken met uw wifi-netwerk. Indien niet, probeer een van de onderstaande opties om het wifi-sigitaal te verbeteren.

**Geen wifi-sigitaal.**

De poortopener kan geen verbinding maken met uw wifi-netwerk. Probeer een van de onderstaande opties om het wifi-sigitaal te verbeteren.

- Verplaats uw router dichterbij de garagepoortopener om interferentie van muren en andere objecten tot een minimum te beperken.
- Koop een wifi-versterker

## 5 Voorbereiding van uw garagepoort



**OPGELET:** Abel ALTIJD een opgeleide poortspecialist indien de garagepoort vastzit, blijft steken of uit evenwicht is. Een ongebalanceerde garagepoort keert mogelijk NIET om indien nodig. Probeer de garagepoort, poortveren, kabels, poelies, beugels of de hardware ervan NOOIT los te maken, te bewegen of af te stellen.

Deze staan ALLEMAAL onder EXTREME spanning. Ontgrendel alle sloten en verwijder ALLE touwen die met de garagepoort verbonden zijn VOORALEER u de garagepoortopener installeert en gebruikt om verstrikking te vermijden. Deze opener is uitgerust met een functie voor onbewaakte werking. De poort kan onverwacht bewegen. NIEMAND MAG IN HET TRAJECT VAN DE BEWEGENDE POORT LOPEN.

### VOORDAT U BEGINT:

- Ontgrendel de sloten.
- Verwijder alle touwen die met de garagepoort zijn verbonden.

Voltooi de volgende test om te garanderen dat de garagepoort gebalanceerd is en niet blijft steken of vastzit:

- Til de poort tot halverwege op. Ontgrendel de poort. Als ze gebalanceerd is, moet ze op haar plaats blijven, volledig ondersteund door de veren.
- Breng de poort omhoog en omlaag om te controleren of ze vastzit of blijft steken.
- Poorten van meer dan 130 kg mogen NIET snel openen of vallen.

Als uw poort vastzit, blijft steken of uit evenwicht is, bel dan een geschoolde poortspecialist.

## 6 Vereiste gereedschappen

During assembly, installation and adjustment of the garage door opener, instructions will call for hand tools as illustrated below.

- |                  |                                       |
|------------------|---------------------------------------|
| 1. Trapladder    | 7. Schroevendraaier                   |
| 2. Boor          | 8. Waterpas                           |
| 3. Meetlint      | 9. Klauwhamer                         |
| 4. Draadsnijders | 10. Moffen en sleutel met verlengstuk |
| 5. Tang          | 11. Schroefsleutel                    |
| 6. Boorijzers    | 12. Potlood                           |

## 7 Inhoud van de doos

Als er iets ontbreekt, controleer dan zorgvuldig het verpakkingsmateriaal.

### GARAGEPOORTOPENER

- |  |    |
|--|----|
| 1. Garagepoortopener, LM3800W              | 1x |
| 2. Automatisch poortslot, 841EU            | 1x |
| 3. Montagebeugel                           | 1x |
| 4. Kraag met stelschroeven                 | 1x |
| 5. Veiligheidslabels                       | 1x |
| 6. Afstandsbediening met 4 knoppen, TX4EVF | 2x |
| 7. MyQ Remote LED-licht, 827EV             | 1x |
| 8. Handleiding                             |    |

### HARDWARE VOOR AFSTANDSBEDIEND LICHT

- |                                    |    |
|------------------------------------|----|
| 9. Muuranker (inschroefbaar) 42 mm | 2x |
| 10. Schroef 27,85 mm               | 2x |

### GEREEDSCHAPSZAK

- |                                       |    |
|---------------------------------------|----|
| 11. Schroef 15 mm                     | 2x |
| 12. Schroef 54,8 mm                   | 4x |
| 13. Handvat                           | 1x |
| 14. Touw                              | 1x |
| 15. Schroef 15 mm                     | 2x |
| 16. Muuranker (inschroefbaar) 36,8 mm | 4x |
| 17. Schroef 22 mm                     | 2x |

## 8 Vereiste accessoires

Kabelspanningsmeter 041A92642.

Infrarode fotocellen (voor TTC of MyQ-functie: - 771EV of - 772E of - 771EVK of - G770E).

## 9 Attach the Collar to the Garage Door Opener

Om problemen bij de installatie te vermijden, mag u de poortopener niet gebruiken totdat u daartoe instructies krijgt.

De poortopener kan aan eender welke zijde van de poort worden geïnstalleerd (zie deel Planning). De getoonde illustraties zijn voor de installatie op het illustratieblad.

1. Draai de stelschroeven los.
2. Bevestig de kraag op de motoras van de garagepoortopener. De zijkant van de kraag met het grootste gat moet op de motoras worden geplaatst.
3. Zorg ervoor dat de kraag helemaal op de motoras zit tot het eindpunt is bereikt.
4. Plaats de kraag zo dat de schroeven naar buiten zitten en toegankelijk zijn bij aanbrenging op de torsiestang.
5. Draai de 2 vierkante kopschroeven het dichtst bij de motoras goed vast door de schroeven 1/4 tot 1/2 draai aan te draaien nadat u contact maakt met de motoras.

## 10 De montagebeugel op de garagepoortopener bevestigen



1. Bevestig de gegleufde zijde van de montagebeugel los op dezelfde zijde van de garagepoortopener als de kraag, met behulp van de meegeleverde schroeven.

*OPMERKINGEN: Draai de schroeven niet vast tot u daarvoor instructies krijgt.*

## 11 Positioneer en monteer de garagepoortopener



Er MOETEN betonnen ankers worden gebruikt indien de montagebeugel in metselwerk wordt gemonteerd. Probeer de garagepoort, poortveren, kabels, poelies, beugels of de hardware ervan NOOIT los te maken, te bewegen of af te stellen. **Deze staan ALLEMAAL onder EXTREME spanning. Bel ALTIJD een opgeleide poortspecialist of -installateur indien de garagepoort vastzit, blijft steken of uit evenwicht is.** Een ongebalanceerde garagepoort keert mogelijks NIET indien nodig. De garagepoortopener MOET in een rechte hoek op de torsiestang worden gemonteerd om vroegtijdige slijtage op de kraag te voorkomen. Hou rekening met de plaatselijke vereisten.

*OPMERKINGEN: Raadpleeg de pagina accessoires voor extra montageopties.*

1. Sluit de garagepoort volledig.
2. Schuif de garagepoortopener op het einde van de torsiestang. Als de torsiestang te lang of beschadigd is, moet u ze eventueel afzagen. Zorg ervoor dat de kraag het lager NIET raakt.
3. Gebruik een waterpas om de garagepoortopener te positioneren en verticaal uit te lijnen. Controleer of de montagebeugel zich op een vast oppervlak bevindt, zoals hout, beton of poort-/vlagbeugel. Bij installatie op een droge muur, MOET de montagebeugel op een steunbout worden bevestigd.
4. Wanneer de poortopener juist is uitgelijnd, markeert u de gaten voor de montagebeugel. Draai indien nodig de kraagschroeven op de torsiestang aan om de garagepoortopener op zijn plaats te houden terwijl u de gaten markeert. *OPMERKINGEN: De garagepoortopener hoeft niet gelijk met de muur te zijn.*
5. Verwijder de poortopener van de torsiestang. Boor pilotgaten van 5mm op de gemarkeerde plaatsen. Boor indien nodig door metalen poortrailplaten.
6. Schuif de poortopener terug op de torsiestang tot de pilotgaten zijn uitgelijnd op de beugel.
7. Draai de 2 vierkante kopschroeven op de torsiestang vast. Voor een holle torsiestang draait u de schroeven 3/4 tot 1 volle draai aan nadat u contact maakt met de slang. Voor een massieve torsiestang draait u de schroeven 1/4 tot maximaal 1/2 draai aan nadat u contact maakt met de as. Als u op een gegroefde torsiestang installeert, draai de schroeven dan NIET in de richting van de groeven.
8. Bevestig de montagebeugel op de muur en de garagepoortopener. Gebruik de schroeven (12) om de montagebeugel aan de muur te bevestigen.

## 12 Bevestig het noodontgrendelingstouw en de hendel



Gebruik de noodontgrendelingshendel indien mogelijk ENKEL om de poort los te maken als de garagepoort GESLOTEN is. Zwakke of gebroken veren of een ongebalanceerde poort kunnen een open poort snel en/of onverwacht doen vallen. Gebruik de noodontgrendelingshendel NOOIT, tenzij de garagepoortopening vrij is van personen en obstakels.

1. Steek een uiteinde van het noodontgrendelingstouw door de hendel. Zorg ervoor dat "KENNISGEVING" met de rechterzijde omhoog staat. Maak het vast met een overhandse knoop op minstens 2,5 cm van het uiteinde van het touw om slipgevaar te voorkomen.
2. Steek het andere uiteinde van het noodontgrendelingstouw door het gat in de ontgrendelingsarm van de wagen. Monteer de noodontgrendeling binnen bereik, echter minstens 1,83 m boven de grond, en vermijd daarbij contact met voertuigen om accidentele ontgrendeling te voorkomen en maak dit vast met een overhandse knoop.

*OPMERKING: Het touw moet worden afgesneden, het afgesneden uiteinde warm aaneengesmolten met een lucifer of aansteker om ontrafeling tegen te gaan.*

## 13 Het automatische deurslot installeren

Het automatische poortslot (model 841EU) wordt gebruikt om te voorkomen dat de poort manueel wordt geopend zodra ze volledig gesloten is.

*OPMERKING: Oudere model 24 V deursloten zijn niet compatibel.*

1. Het slot moet indien mogelijk binnen 3,05 m van de poortopener worden gemonteerd, aan dezelfde kant als de poortopener.
2. Zorg ervoor dat het oppervlak van de rail proper is en bevestig het slotsjabloon op het spoor, zodat het boutgat zich ongeveer 7,6 cm van het midden van een poortroller bevindt.
3. Boor gaten zoals gemarkeerd op het sjabloon.
4. Bevestig het automatische poortslot aan de buitenkant van het poortspoor met de verstrekte elementen.
5. Leg beldraad op de muur naar de poortopener. Gebruik geïsoleerde nietjes (optioneel) om de draad op verschillende plaatsen vast te maken. Steek de draad door de onderkant van de poortopener.
6. Steek de connector in een plug in de poortopener. Een tweede poortslot (841EU) kan worden geïnstalleerd aan de tegenovergestelde zijde van de poort via de bovenstaande instructies.

### TEST VAN HET AUTOMATISCHE POORTSLOT

1. Als de poort volledig gesloten is, moet de bout van het automatische poortslot (B) uit het spoor steken.
2. Bedien de poort in de open richting. Het automatische poortslot (A) moet terugtrekken vooraleer de poort begint te bewegen.
3. Bedien de poort in de neerwaartse richting. Wanneer de poort de volledig gesloten positie bereikt, moet het automatische poortslot in de vergrendelde positie gaan om de poort vast te maken.

*OPMERKING: Als het automatische poortslot niet werkt, kan het slot manueel worden ontgrendeld door de manuele ontgrendelingshendel (C) naar de open positie te schuiven.*

## 14 De kabelspanningsmeter bevestigen (041A9264) (verplichte accessoire)

De kabelspanningsmeter MOET worden aangesloten en correct geïnstalleerd vooraleer de garagepoortopener in de neerwaartse richting beweegt. De kabelspanningsmeter detecteert ELKE speling die zich in de kabels kan voordoen en keert de poort om, waardoor serviceoproepen overbodig zijn. De installatie van de kabelspanningsmeter is vereist overeenkomstig EN12453.

*OPMERKINGEN: De verzonden kabelspanningsmeter is voor installatie aan de linkerkant. Voor installatie aan de rechterkant verwijderd u de veerring die de roller op zijn plaats houdt en monteert u hem opnieuw aan de tegenovergestelde zijde van de kabelspanningsmeter.*

1. Zorg ervoor dat de poortkabel zich ongeveer 19 mm van het montageoppervlak bevindt. De poort moet eventueel worden afgesteld of van een vulstuk voorzien om de juiste diepte voor de poortkabel te verkrijgen.
2. Positioneer de kabelspanningsmeter zodat de roller zich 5-15 cm van de trommel bevindt en de roller 3-6 mm voorbij de kabel gaat. Zorg ervoor dat er een houten steunbalk onder de kabelspanningsmeter zit en dat de roller vrij is van obstakels.  
*OPMERKINGEN: Er mogen op de installatieplaats geen obstakels zijn die verhinderen dat de kabelspanningsmeter volledig sluit wanneer er speling wordt gedetecteerd.*
3. Markeer en boor pilotogaten van 5 mm voor de schroeven (pilotogaten zijn niet vereist voor ankers).
4. Bevestig de kabelspanningsmeter op de muur met de verstrekte gereedschappen. Controleer of de roller bovenop de kabel zit.
5. Leg beldraad naar de poortopener. Gebruik geïsoleerde nietjes om de draad vast te maken.
6. Sluit beldraad aan op de groene snelverbindingklemmen (10 + 11) op de poortopener (polariteit is van geen belang).  
*OPMERKINGEN: De kabel moet gespannen zijn over het hele traject van de poort. Zorg ervoor dat er aan de tegenovergestelde zijde van de poort geen speling op de kabel zit tijdens normaal gebruik. Als er tijdens de beweging van de poort speling is, moet u de kabels aanpassen.*

Als er twee kabelspanningsmeters worden geïnstalleerd, zal de poort niet omlaag bewegen of zal ze omkeren wanneer een van de meters verslapping detecteert of is losgekoppeld.

### TEST VAN DE KABELSPANNINGSMETER

1. Als de poort volledig gesloten is, drukt u op de voorkant van de kabelspanningsmeter. Er moet een klik te horen zijn. Als er geen klik is, kan het zijn dat de roller de stijl raakt en de schakelaar niet toelaat om speling in de kabel te detecteren. Zorg ervoor dat de kabelspanningsmeter gelijk met de muur wordt gemonteerd en dat de roller vrij is van obstakels.

De 1k weerstand dient enkel om problemen met de instellingen van de CTM op te sporen. Volgens EN12453 moet de kabelspanningsmeter worden geïnstalleerd om speling op de kabel goed te detecteren.

Als uw kabelspanningsmeter geactiveerd is, geven de OMHOOG en OMLAAG pijlen diagnostische code 3-5.

## 15 MyQ Remote LED Light installeren (enkel ontworpen voor droge ruimtes)

De MyQ Remote LED Light is ontworpen om rechtstreeks in een standaard 230V stopcontact te steken. Selecteer een geschikte locatie op het plafond of de muur om het licht binnen 1,83 m van een stopcontact te monteren, zodat het snoer en het licht uit de buurt van bewegende onderdelen zijn. MyQ Remote LED Light moet worden geïnstalleerd om MyQ en Timer-to-Close (TTC) te kunnen gebruiken.

**OPMERKINGEN:** Als u het licht op een droge muur installeert en er geen plafondbalk te vinden is, gebruikt u de meegeleverde muurankers. Voor muurankers is er geen pilotgat vereist.

1. Boor pilotgaten op een afstand van 15,6 cm als u op een balk monteert.  
OF schroef in muurankers op een afstand van 15,6 cm als u op een droge muur monteert.
2. Bepaal de vereiste lengte van het stroomsnoer om het dichtstbijzijnde stopcontact te bereiken. Draai eventueel overtollig snoer rond de snoerhouder aan de bovenkant van de voet van het licht. Breng het snoer door het kanaal, zodat het licht vlak kan worden gemonteerd.
3. Open de lichtlens.
4. Monteer het licht met de meegeleverde schroeven (11+12).
5. Sluit de lichtlens.
6. Steek het licht in het stopcontact.

**OPMERKINGEN:** Het LED-lampje is heel helder. Staar NIET in het licht terwijl u op een ladder staat.

Het afstandsbediend licht van uw garagepoortopener is in de fabriek al geprogrammeerd om met uw opener te werken. Bijkomende of vervangingslichten moeten worden geprogrammeerd.

## 16 Elektrische aansluiting



Om lichamelijke verwondingen en schade aan het toestel te voorkomen, mag de poortopener enkel worden gebruikt wanneer dit expliciet wordt opgedragen in deze handleiding. Het stroomsnoer moet altijd toegankelijk zijn om de netvoeding af te koppelen. Elektrische installaties mogen enkel door een bevoegde elektrotechnicus worden uitgevoerd.

## 17 Installatie van fotocellen

### BELANGRIJKE INFORMATIE OVER DE INFRARODE FOTOCELLEN

De instructies voor de installatie zijn meegeleverd bij de infrarode fotocellen en dienen te worden gevolgd. **De fotocellen zorg ervoor dat de poort open is, of open blijft, wanneer er zich mensen, vooral jonge kinderen, in de poortzone bevinden.** Wanneer de infrarode fotocelsensor juist is aangesloten en uitgelijnd, detecteert hij een obstakel in het pad van de elektronische straal. De zendende sensor stuurt een onzichtbare lichtstraal naar de ontvangende sensor. Als een obstakel de lichtstraal onderbreekt terwijl de poort sluit, zal de poort stoppen en omkeren naar de volledig open positie, en de lichten van de opener knipperen 10 keer.

Voor gebruik van de MyQ- of TTC-functie moeten de sensoren zo in de garage worden geïnstalleerd dat de zendende en ontvangende sensoren tegenover elkaar liggen over de hele poort, niet meer dan 10 cm boven de vloer. De sensoren kunnen zowel aan de linker- als de rechterkant van de poort worden geïnstalleerd, zolang de zon nooit rechtstreeks op de lens van de ontvangende sensor schijnt. Het pad van de onzichtbare lichtstraal moet onbelemmerd zijn. Geen enkel onderdeel van de garagepoort (poortsporen, veren, scharnieren, rollers of andere elementen) mag de straal onderbreken terwijl de poort sluit.

**OPMERKINGEN:** Liftmaster raadt aan om infrarode fotocellen te installeren bij elke installatie. Voor gebruik van de MyQ- of TTC-functie moeten infrarode fotocellen worden geïnstalleerd.

### BEDRADING VAN DE INFRARODE FOTOCELLEN

1. Leg de draad van beide sensoren naar de garagepoortopener. Bevestig de draad aan de muur en het plafond met de nietjes.
2. Strip 11 mm isolatie van elk stel draden. Haal de draden uit elkaar. Draai de witte draden in elkaar. Draai de witte / zwarte draden in elkaar.
3. Steek de witte draden in de witte aansluitklem op de garagepoortopener. Steek de witte / zwarte draden in de grijze aansluitklem op de garagepoortopener. Om de draden in de aansluitklem te steken of er uit te trekken, duwt u in het klepje met de punt van een schroevendraaier.

### ZORG ERVOOR DAT DE INFRARODE FOTOCELLEN ZIJN UITGELIJND

**De poort zal niet sluiten als de sensoren niet correct zijn geïnstalleerd en uitgelijnd**

Als de lichtstraal wordt belemmerd of verkeerd uitgelijnd terwijl de poort sluit, zal de poort omkeren en zal het licht van de garagepoortopener tien keer knipperen. Als de poort al open is, zal ze niet sluiten. De sensoren kunnen worden uitgelijnd door de vleugelmoeren los te draaien, de sensoren uit te lijnen en de vleugelmoeren weer vast te draaien.

1. Controleer of de LED's in beide sensoren constant branden. De LED's in beide sensoren zullen constant branden als ze correct zijn uitgelijnd en aangesloten.

### TEST DE INFRARODE FOTOCCEL

1. Open de poort. Plaats een obstakel in het traject van de poort.
2. Druk op de afstandsbedieningsknop om de poort te sluiten. De poort zal niet meer dan 2,5 cm bewegen en het licht van de garagepoortopener knippert 10 keer.

De garagepoortopener zal niet sluiten met een afstandsbediening als de LED in een van de twee infrarode fotocellen uitgeschakeld is (wat wijst op het feit dat de sensor verkeerd is uitgelijnd of belemmerd). **Als de garagepoortopener de poort sluit wanneer een infrarode fotocel is belemmerd (en de sensoren zich niet meer dan 10 cm boven de grond bevinden), moet u een opgeleide poortspecialist bellen.**



---

## 18 Stroom aansluiten

Om problemen bij de installatie te vermijden, mag u de garagepoortopener nu niet gebruiken.

Om het risico op elektrische schokken te beperken, heeft uw garagepoortopener een geaarde stekker. Deze stekker past alleen in een geaarde stekkerdoos. Als de stekker niet in uw stopcontact past, moet u contact opnemen met een geschoolde elektrotechnicus om het juiste stopcontact te installeren.

Er is slechts één optie om stroom aan te sluiten:

**TYPISCHE BEDRADING**

Sluit de garagepoortopener op een stopcontact met aarding aan.

---

## 19 De reservebatterij installeren (optionele accessoire)



Om het risico op **BRAND** of **VERWONDING** te vermijden: **Ontkoppel ALLE net- en batterijstroom VOORALEER u EENDER WELKE service of onderhoud uitvoert.** Gebruik **ENKEL** LiftMaster onderdeel 485EU als vervangbatterij. Gebruikte batterijen mogen **NIET** worden verbrand. De batterij kan ontploffen. Raadpleeg de plaatselijke voorschriften voor instructies m.b.t. de verwijdering.

Als de poortopener op de reservebatterij draait, worden MyQ Smartphone Control en draadloze MyQ-toestellen uitgeschakeld. In de reservebatterijmodus wordt het automatische garagepoortslot ontgrendeld wanneer de garagepoort wordt geopend, en blijft uitgeschakeld tot de stroom opnieuw wordt ingeschakeld.

1. Koppel de garagepoortopener af.
2. Gebruik de schroevendraaier om de batterijklep van de garagepoortopener te verwijderen.
3. Steek de batterij deels in het batterijvak met de aansluitpunten naar buiten gericht.
4. Verbind de rode (+) en zwarte (-) draad van de garagepoortopener met de overeenstemmende polen op de batterij.
5. Vervang het batterijdeksel.
6. Sluit de garagepoortopener aan.

### BATTERIJSTATUS LED (B)

#### GROENE LED:

Alle systemen zijn normaal.

- Een constant groen LED-licht geeft aan dat de batterij volledig opgeladen is.
- Een knipperende groene LED geeft aan dat de batterij wordt opgeladen.

#### ORANJE LED:

De garagepoortopener heeft geen stroom meer en draait op de reservebatterij.

- Een constante oranje LED met ca. elke 2 seconden een biepton geeft aan dat de garagepoortopener op batterijstroom werkt.
- Een knipperende oranje LED met elke 30 seconden een biepton geeft aan dat het batterijniveau laag is.

#### RODE LED:

De 12V batterij van de garagepoortopener moet worden vervangen.

- Een constante rode LED met elke 30 seconden een biepton geeft aan dat de 12V batterij niet meer kan worden opgeladen en moet worden vervangen. Vervang de reservebatterij om de backupfunctie te behouden.

*OPMERKINGEN: De batterij hoeft niet volledig opgeladen te zijn om de garagepoortopener te gebruiken.*

## 20 De beweging programmeren



Een verkeerde afstelling van de beweging van de garagepoort verstoort de juiste werking van de veiligheidsomkering. Na IEDERE aanpassing MOET het omkeersysteem worden getest. De poort MOET omkeren bij contact met een object van 40 mm op de grond. Om schade aan voertuigen te vermijden, moet u ervoor zorgen dat de volledig geopende poort voldoende vrije ruimte geeft.

Bewegingslimieten regelen de punten waarop de poort zal stoppen bij het omhoog of omlaag bewegen. Koppel de garagepoortopener af. Tijdens het programmeren kunnen de knoppen OMHOOG en OMLAAG worden gebruikt om de poort in de gewenste richting te bewegen.

1. Druk op de afstelknop (A) en houd deze ingedrukt tot de knop OMHOOG (U) begint te knippen en/of een piepton te horen is.
2. Druk op de knop OMHOOG (U) en houd deze ingedrukt tot de poort zich in de gewenste positie OMHOOG bevindt.
3. Zodra de poort zich in de gewenste OMHOOG positie bevindt, moet u de afstelknop (A) indrukken en loslaten. De lichten van de garagepoortopener knippen twee keer en de knop OMLAAG (D) begint te knippen.
4. Druk op de knop OMLAAG (D) en houd deze ingedrukt tot de poort zich in de gewenste positie OMLAAG bevindt.
5. Zodra de poort zich in de gewenste OMLAAG positie bevindt, moet u de afstelknop (A) indrukken en loslaten. De lichten van de garagepoortopener knippen twee keer en de knop OMHOOG (U) begint te knippen.
6. Druk de OMHOOG knop (U) in en laat hem los. Wanneer de poort naar de geprogrammeerde OMHOOG positie beweegt, begint de OMLAAG knop (D) te knippen.
7. Druk de OMLAAG knop (D) in en laat hem los. De poort beweegt naar de geprogrammeerde OMLAAG positie. Het programmeren is voltooid.

Als de lichten van de garagepoortopener tijdens het programmeren van de beweging 5 keer knippen, is de tijdslimiet voor het programmeren overschreden. Als de kabelspanningsmeter niet is geïnstalleerd of teveel speling op de kabel detecteert, zal het licht van de garagepoortopener 5 keer knippen. Zorg ervoor dat de kabelspanningsmeter correct is geïnstalleerd en volg dan de stappen voor het programmeren van de beweging. Als de lichten van de garagepoortopener tijdens het programmeren van de beweging 10 keer knippen, zijn de infrarode fotocellen verkeerd uitgelijnd of belemmerd. Wanneer de sensoren uitgelijnd en onbelemmerd zijn, doorloopt u een volledige op- en neercyclus met behulp van de afstandsbediening of de OMHOOG en OMLAAG knoppen. Het programmeren is voltooid. Als u de poort niet op en neer kunt bewegen, herhaalt u de stappen voor het programmeren van de beweging.

## 21 Test van de veiligheidsomkering



Zonder een correct geïnstalleerde veiligheidsomkering kunnen personen (in het bijzonder kleine kinderen) ERNSTIG GEWOND raken of OVERLIJDEN door een sluitende garagepoort. De veiligheidsomkering MOET iedere maand worden getest. Na IEDERE aanpassing MOET het omkeersysteem worden getest. De poort MOET omkeren bij contact met een object van 40 mm op de grond.

### TEST

1. Als de poort volledig open is, plaatst u een plaat van 40 mm op de grond onder de garagepoort.
2. Druk op de afstandsbedieningsknop om de poort te sluiten. De poort MOET omkeren wanneer ze contact maakt met de plaat.

### AANPASSEN

Als de poort stopt, maar niet omkeert:

1. Bekijk de verstrekte installatie-instructies opnieuw om te controleren of alle stappen zijn gevolgd.
2. Herhaal het programmeren van de beweging (zie Aanpassing stap 1 "Punt 20").
3. Herhaal de test van de veiligheidsomkering.

Als de test blijft mislukken, moet u een opgeleide poortspecialist bellen.

### BELANGRIJKE VEILIGHEIDSCONTROLE:

Test de veiligheidsomkering na:

- iedere aanpassing van limieten.
- iedere herstelling of aanpassing van de poort (met inbegrip van veren en hardware).
- iedere herstelling van of knik in de poort.
- iedere herstelling of aanpassing van de garagepoortopener.

## 22 De poort manueel openen



Gebruik de noodontgrendelingshendel indien mogelijk ENKEL om de poort los te maken als de garagepoort GESLOTEN is. Zwakke of gebroken veren of een ongebalanceerde poort kunnen een open poort snel en/of onverwacht doen vallen. Gebruik de noodontgrendelingshendel NOOIT, tenzij de garagepoortopening vrij is van personen en obstakels.

Ontgrendel alle poortsloten vooraleer u verder gaat. De poort moet volledig gesloten zijn, indien mogelijk. Trek de noodontgrendelingshendel omlaag totdat u een klikgeluid van de poortopener hoort en til de poort manueel op. Om de poort opnieuw met de poortopener te verbinden, trekt u de noodontgrendelingshendel nog eens helemaal omlaag totdat u een klikgeluid van de poortopener hoort. De poort maakt opnieuw verbinding bij de volgende OMHOOG of OMLAAG actie.

### TEST VAN DE NOODONTGREDELING

1. Zorg ervoor dat de poort gesloten is.
2. Trek aan de noodontgrendelingshendel. U moet de poort dan manueel kunnen openen.
3. Breng de poort terug in de gesloten positie.
4. Trek nog eens aan de noodontgrendelingshendel.
5. Verbind de poort opnieuw met de poortopener.

## 23 Gebruik van uw garagepoortopener

### FUNCTIES

Uw garagepoortopener is uitgerust met functies om u meer controle te geven over de werking van uw garagepoort.

### ALERT-TO-CLOSE (SLUITWAARSCHUWING)

De Alert-to-Close functie geeft een visuele waarschuwing dat een onbewaakte poort wordt gesloten.

### TIMER-TO-CLOSE (TTC)

De TTC-functie sluit de poort automatisch na een gespecificeerde periode die kan worden ingesteld met een poortbediening met TTC (fotocellen model 771EV / 772E / 771EVK / G770E zijn vereist). Voor en tijdens het sluiten van de poort zullen de lichten van de garagepoortopener knipperen.

### TTC-ACTIVERING:

1. Druk 4 keer op de gele Leren-knop (L) en laat hem telkens los.
2. De gele Leren-LED gaat AAN
3. Ga met de OMHOOG (U) en OMLAAG (D) pijlen door de cycli UIT/1/5/10 minuten. Na het selecteren knippert de gele Leren-LED. Bijvoorbeeld: als u 5 minuten selecteert, knippert de gele Leren-LED 5 keer ter bevestiging.
4. Druk op de vierkante insteltoets (A) om de instelling te bewaren en de TTC-programmeermodus te verlaten. Als de activering voltooid is, zal het MyQ Remote LED Light EEN keer knipperen ter bevestiging. Als u de TTC-functie programmeert, moet u de volgende knop binnen 30 seconden indrukken, anders wordt de TTC-activering verlaten. Als de programmeerklok verstrijkt, behoudt TTC de eerdere instellingen en knippert het MyQ Remote LED-licht VIJF keer.

Om de onvoltooid TTC-programmeermodus te verlaten, drukt u nog één keer op de Leren-knop (L).

### WIJZIGING VAN DE TTC-TIJDSKLOK:

1. Druk 4 keer op de Leren-knop (L).
2. Ga met de OMHOOG (U) en OMLAAG (D) pijlen door de cycli UIT/1/5/10 minuten. Na het selecteren knippert de gele Leren-LED.
3. Druk op de vierkante insteltoets (A) om de instelling te bewaren en de TTC-programmeermodus te verlaten.

Als de activering voltooid is, zal het MyQ Remote LED Light EEN keer knipperen ter bevestiging.

### TTC-DEACTIVERING:

1. Druk 4 keer op de gele Leren-knop (L).
2. Druk één keer op de Afstelknop om de instelling op te slaan.
3. Als de deactivering voltooid is, zal het MyQ Remote LED Light EEN keer knipperen ter bevestiging.

Als de TTC actief is, telt de klok af, en als de infrarode stralen worden onderbroken, wordt de TTC-klok herstart.

## MyQ

Met MyQ kunt u uw garagepoortopener van overal bedienen met uw mobiel toestel of computer. MyQ-technologie gebruikt een radiosignaal om een tweerichtingscommunicatie tussen de garagepoortopener en accessoires met MyQ-functie te realiseren. De garagepoortopener heeft een interne toegangspoort die de garagepoortopener toelaat om rechtstreeks te communiceren met een wifi-thuisnetwerk en toegang tot uw MyQ account te krijgen.

## INFRARODE FOTOCELLEN

Wanneer de infrarode fotocellen juist zijn aangesloten en uitgelijnd, detecteren ze een obstakel in het pad van de infrarode straal. Als een obstakel de infrarode straal onderbreekt terwijl de poort sluit, zal de poort stoppen en omkeren naar de volledig open positie, en de lichten van de opener knipperen 10 keer. Als de poort volledig open is en de infrarode fotocellen zijn geïnstalleerd en verkeerd uitgelijnd, zal de poort niet sluiten vanop een afstandsbediening. U kunt de poort echter sluiten als u de knop op de poortbediening of draadloze afstandsbediening ingedrukt houdt tot de poort volledig gesloten is. De infrarode fotocellen hebben geen invloed op de openingscyclus.

## ENERGIEBESPARING

Om energie te besparen, gaat de garagepoortopener in slaapmodus wanneer de poort volledig gesloten is. De slaapmodus schakelt de garagepoortopener uit tot deze wordt geactiveerd. De slaapmodus is in sequentie met het licht van de garagepoortopener. Als het licht uitschakelt, worden de sensor-LED's uitgeschakeld en wanneer de lichten van de garagepoortopener worden ingeschakeld, gaan de sensor-LED's branden. De garagepoortopener gaat niet in de slaapmodus tot de garagepoortopener 5 cycli heeft voltooid na het opstarten.

## LICHTEN

Het licht van de garagepoortopener wordt ingeschakeld, wanneer de opener voor het eerst wordt aangesloten; de stroom wordt hersteld na een onderbreking, of wanneer de garagepoortopener geactiveerd is. Het licht wordt automatisch uitgeschakeld na 4,5 minuten.

## LICHTFUNCTIE

De garagepoortopener is uitgerust met een extra functie; de lichten worden ingeschakeld wanneer iemand door de open garagepoort loopt en de infrarode straal wordt onderbroken. Infrarode fotocellen 771EV / 772E / 771EVK / G770E moeten worden geïnstalleerd om deze functie te activeren.

## RESERVEBATTERIJ (OPTIONEEL)

TMet het reservebatterijsysteem kan u altijd in en uit uw garage, zelfs wanneer er geen stroom is. Wanneer de garagepoortopener op batterijstroom werkt, zal de garagepoortopener trager werken, het licht zal niet werken, de batterijstatus-LED zal constant oranje branden, en elke 2 seconden zal een piepton weerklinken.

## GEBRUIK VAN UW GARAGEPOORTOPENER

De garagepoortopener kan worden geactiveerd via een op de muur gemonteerde poortbediening, afstandsbediening, draadloze toegang zonder sleutel of een MyQ-accessoire. Wanneer u de poortopener via radiosignaal of muurschakelaar bedient:

- sluit de poort wanneer ze volledig open is
- opent de poort wanneer ze volledig gesloten is
- stopt de poort wanneer ze opent of sluit
- de poort beweegt in de tegenovergestelde richting van de laatste beweging, als ze deels open is.

Als de poort een obstakel detecteert of wordt onderbroken tijdens het openen, zal de poort stoppen. Als de garagepoortopener een obstakel detecteert tijdens het sluiten, zal de poort omkeren. Als het obstakel de sensorstraal onderbreekt, knipperen de lichten van de garagepoortopener 10 keer. U kunt de poort echter sluiten als u de knop op de poortbediening of draadloze afstandsbediening ingedrukt houdt tot de poort volledig gesloten is. De infrarode fotocellen hebben geen invloed op de openingscyclus.

## CYCLUSTELLER. ACTIVERING EN LEESPROCEDURE:

1. Koppel de RJO van de stroom om in deze modus te komen.
2. Druk op de knoppen Afstelling (A) en Leren (L) en houd ze samen ingedrukt bij het herstellen van de stroom.
3. De LED van de "OMHOOG" pijlknop (U) knippert EEN keer voor elke duizend VOLLEDIG voltooide cycli, zolang de knoppen Afstelling (A) en Leren (L) worden ingedrukt en ingedrukt gehouden.  
Bijvoorbeeld, als de RJO 8756 cycli heeft doorlopen, zal de OMHOOG LED 8 keer knipperen.

Om de aflezing te herhalen, koppelt u de RJO van de stroom en begint u opnieuw.

**LICHTZENDER (met 78EV):** Maakt het mogelijk om een zender aan te leren in de MyQ-afstandsbediening via multifunctionele wandschakelaar. Om de zender in het MyQ Remote LED-licht te programmeren:

1. Druk de knoppen LICHT & VERGREDELING in en houd deze samen ingedrukt.
2. Terwijl u de bovenstaande knoppen ingedrukt houdt, drukt u op een knop op de zender en houdt u deze ingedrukt tot RJO WorkLight één keer knippert.
3. Nadat het Worklight van de opener één keer knippert, laat u alle knoppen los.

**VAKANTIEMODUS (vereist 78EV wandschakelaar).** Draagbare afstandsbedieningen functioneren niet, wanneer deze functie is geactiveerd. Zie instructies van 78EV.

**TOEGANG ZONDER SLEUTEL (vereist 747EV draadloze afstandsbediening):** Voer een code van 4 cijfers naar keuze in om de poort te bedienen.

**TIJDELIJKE TOEGANG** (vereist 747EV draadloze afstandsbediening): Een tijdelijke code kan worden geprogrammeerd om beperkte toegang tot de garage mogelijk te maken (via tijd of het aantal openingen).

**SLUITEN MET ÉÉN KNOP** (vereist 747EV draadloze afstandsbediening): Zonder de toegangscode kan de poort vanuit eender welke positie worden gesloten (niet geopend).

## 24 Een verbinding maken met uw smartphone

De wifi-garagepoortopener is compatibel met maximaal 16 accessoires met MyQ-functie. Tot 10 toestellen kunnen aan de interne gateway van de wifi-garagepoortopener worden gekoppeld. Deze toestellen kunnen worden bediend met de MyQ app. Deze toestellen omvatten combinaties van MyQ garagepoortopeners, wifi-garagepoortopeners, MyQ-licht, MyQ-poortbedieningen. Een LiftMaster internet gateway (828EV) kan worden toegevoegd als u meer dan 10 toestellen wilt bedienen met de MyQ app. Tot 6 toestellen kunnen aan de garagepoort zelf worden gekoppeld (bediend door de garagepoortopener). Deze toestellen omvatten eender welke combinatie van MyQ-licht of een garagepoort en een poortbewaking.

U heeft nodig:

- Smartphone, tablet of laptop met wifi
- Breedband internetverbinding
- Wifi-signaal in de garage (2,4 Ghz, 802.11b/g/n vereist)
- Wachtwoord voor uw thuisnetwerk (hoofdaccount van de router, niet het gastnetwerk)
- MyQ-serienummer op de garagepoortopener
- Infrarode fotocellen (optioneel)
- MyQ Remote LED-licht (meegeleverd)

### DE POORTBEDIENING SYNCHRONISEREN

Om de poortbediening 78EV te synchroniseren met de garagepoortopener, drukt u op de duwstang tot de garagepoortopener wordt geactiveerd (kan tot 3 duwen vergen). De garagepoortopener moet een volledige cyclus doorlopen vooraleer de wifi-programmering wordt geactiveerd.

### UW GARAGEPOORTOPENER MET UW WIFI-THUISNETWERK VERBINDEN

1. Druk 3 keer op de gele LEREN-knop (L) op de garagepoortopener en laat hem telkens los. De garagepoortopener zal één keer piepen. U heeft 20 minuten om het verbindingsproces te voltooien.
2. Ga op uw mobiel toestel naar Instellingen > Wifi en selecteer het netwerk met het voorvoegsel "MyQ-".
3. Start de webbrowser op uw smartphone of tablet. Tik setup.myqdevice.com in de adresbalk van de browser. Volg de aanwijzingen op het scherm om de garagepoortopener met uw wifi-netwerk te verbinden. Het MyQ-serienummer verschijnt op het scherm. Noteer het serienummer in het onderstaande veld.

4. Download de MyQ app van de App Store® of Google Play™ store. Schrijf u in voor uw MyQ account en voeg het MyQ-serienummer toe aan uw account.

Om een tweede wifi-garagepoortopener toe te voegen, herhaalt u stap 1-3. Voeg het tweede MyQ-serienummer in de MyQ app toe aan uw account. **OPMERKINGEN:** De MyQ Smartphone Control ZAL NIET werken als de garagepoortopener op batterijstroom werkt. Om de wifi-instellingen te wissen, zie pagina 15.

Een LED (A) op de garagepoortopener geeft de wifi-status aan. Zie onderstaande tabel

LED	DEFINITIE
BLAUW	Uit - Wifi is niet ingeschakeld. Knippert - Garagedeuropener is in wifi-leermodus. Aan - Mobiel toestel verbonden met de garagepoortopener.
BLAUW EN GROEN	Knippert - Probeert verbinding te maken met de router.
GROEN	Knippert - Probeert verbinding te maken met de internetserver. Constant - wifi is ingesteld en de garagepoortopener is verbonden met het internet.

---

## **25** Programmeer uw opener en afstandsbediening / de draadloze drukknop / draadloze afstandsbediening (optioneel)

Activeer de poortopener enkel wanneer de poort volledig in het zicht is, vrij van obstakels en juist afgesteld. Niemand mag in of uit de garage gaan terwijl de poort in beweging is. Laat kinderen geen drukknop(pen) of afstandsbediening(en) bedienen. Laat geen kinderen in de omgeving van de poort spelen. De ontvanger van uw garagepoortopener en een van de toetsen van de afstandsbediening zijn voorgeprogrammeerd. Als u bijkomende afstandsbedieningen aankoopt, moet de garagepoortopener worden geprogrammeerd om de code van de nieuwe afstandsbediening te aanvaarden.

### **DE ONTVANGER PROGRAMMEREN VOOR EXTRA AFSTANDSBEDIENINGEN: MET DE GELE RONDE KNOP**

1. Druk op de gele ronde knop (L) op de opener en laat hem los. Het indicatielampje Leren zal 30 seconden lang constant branden.
2. Binnen 30 seconden drukt u op de knop op de afstandsbediening waarmee u uw garagepoort wilt bedienen en houdt u deze ingedrukt.
3. Laat de knop los wanneer het licht van de opener één keer knippert. De code is nu aangeleerd. Nu zal de opener werken wanneer de knop op de afstandsbediening wordt ingedrukt. Als u de drukknop op de afstandsbediening loslaat voordat de licht op de opener knippert, heeft de opener de code niet aangeleerd.

### **TOEGANG ZONDER SLEUTEL**

1. Druk op de gele ronde knop (L) op de opener en laat hem los. Het indicatielampje Leren zal 30 seconden lang constant branden.
2. Voer een persoonlijk identificatienummer (PIN) van 4 cijfers naar keuze in op het draadloze toetsenblok.
3. Druk dan op de ENTER-knop.
4. De lichten van de garagepoortopener knipperen (of er zijn twee klinkgeluiden te horen) wanneer de code geprogrammeerd is. Herhaal de bovenstaande stappen om extra afstandsbedieningen of toestellen voor draadloze toegang te programmeren. Als het programmeren mislukt, programmeert u de afstandsbedieningen met de knop Leren.

### **ALLE CODES VAN AFSTANDSBEDIENINGEN WISSEN**

Om ongewenste afstandsbedieningen te deactiveren, moet u eerst alle codes wissen: Houd de gele ronde knop op de opener ingedrukt tot het indicatielampje Leren uit gaat (ongeveer 10 seconden). Alle vorige codes zijn nu gewist. Herprogrammeer iedere afstandsbediening of draadloze toegang die u wilt gebruiken.

---

## **26** Het MyQ Remote LED-licht programmeren

Het afstandsbediend licht van uw garagepoortopener is in de fabriek al geprogrammeerd om met uw opener te werken. Bijkomende of vervangingslichten moeten worden geprogrammeerd.

### **EEN POORTOPENER IN HET MYQ REMOTE LED-LICHT PROGRAMMEREN:**

1. Druk op de knop LEREN (L) op het licht tot de groene LED AAN gaat.
2. Druk op de knop LEREN (L) op de poortopener.
3. De code is geprogrammeerd wanneer het licht van de afstandsbediening één keer knippert.

### **EEN AFSTANDSBEDIENING IN HET MYQ REMOTE LED-LICHT PROGRAMMEREN:**

1. Druk op de knop LEREN (L) op het licht tot de groene LED AAN gaat.
2. Druk op de afstandsbediening op de knop waarmee u het licht wilt bedienen.
3. De code is geprogrammeerd wanneer het licht van de afstandsbediening één keer knippert.

Om het licht met andere accessoires te programmeren, raadpleegt u de handleiding van uw accessoire.

### **HET MYQ REMOTE LED-LICHT AAN MYQ ACCOUNT TOEVOEGEN**

1. Druk op de knop LEREN (L) op het licht tot de groene LED AAN gaat.
2. Meld u aan bij de MyQ app en voeg het MyQ Remote LED-licht: toe.

### **ALLE PROGRAMMERINGEN UIT HET MYQ REMOTE LED-LICHT WISSEN**

1. Houd de knop LEREN (L) ingedrukt tot de LED wordt uitgeschakeld (6-10 seconden). Alle programmeringen zijn nu gewist.

---

## 27 Het geheugen wissen

### ALLE AFSTANDSBEDIENINGEN EN DRAADLOZE AFSTANDSBEDIENINGEN WISSEN

1. Houd de knop LEREN (L) op de garagepoortopener ingedrukt tot de LED Leren uit gaat (ongeveer 6 seconden). Alle codes van afstandsbedieningen en draadloze afstandsbedieningen zijn nu gewist. Herprogrammeer de accessoires die u wilt gebruiken.

### ALLE TOESTELLEN WISSEN (INCLUSIEF ACCESSOIRES MET MYQ-FUNCTIE)

1. Houd de knop LEREN (L) op de garagepoortopener ingedrukt tot de LED Leren uit gaat (ongeveer 6 seconden).
2. Druk onmiddellijk opnieuw op de knop LEREN en houd hem ingedrukt tot de LED Leren uit gaat. Alle codes zijn nu gewist. Herprogrammeer de accessoires die u wilt gebruiken.

### HET WIFI-NETWERK UIT DE GARAGEPOORTOPENER WISSEN

1. Druk op de zwarte afstelknop (A) op de garagepoortopener en houd hem ingedrukt tot u 3 pieptonen hoort (ongeveer 6 seconden).

### EEN MYQ ACCOUNT WISSEN

Ga naar [mylifmaster.eu](http://mylifmaster.eu) om uw MyQ account te wissen.

---

## 28 Onderhoud van uw garagepoortopener

### ONDERHOUDSSHEMA

#### MAANDELIJKS

- Handbediende poort. Als ze ongebalanceerd is of vastzit, moet u een opgeleide poortspecialist bellen.
- Controleer of de poort volledig open en sluit. Pas de limieten aan, indien nodig (zie punt 20 "De beweging programmeren").
- Herhaal de test van de veiligheidsomkering. Breng de nodige aanpassingen aan (zie punt 21 "Test van de veiligheidsomkering").

#### IEDER JAAR

- Smeer de rollers, lagers en scharnieren van de poort. De garagepoortopener vereist geen bijkomende smering. De sporen van de poort mogen niet worden gesmeerd.

#### MYQ REMOTE LED-LICHT

- Koppel het licht af voordat u het reinigt.
- Gebruik een licht bevochtigde doek om te reinigen.
- Gebruik GEEN vloeibare reinigingsmiddelen op de lens van het licht.

---

## 29 Batterijen van de afstandsbediening vervangen

### Batterij van de afstandsbediening:

De batterijen in de afstandsbediening hebben een extreem lange levensduur. Als het zendbereik afneemt, moeten de batterijen worden vervangen. Batterijen vallen niet onder de garantie.

### Gelieve de volgende instructies voor de batterij te volgen:

Batterijen mogen niet als huishoudelijk afval worden behandeld. Alle consumenten zijn wettelijk verplicht om batterijen om correcte wijze te deponeren op de aangewezen inzamelpunten. Herlaad nooit batterijen die niet kunnen worden herladen.

### Explosiegevaar!

Houd batterijen uit de buurt van kinderen, u mag batterijen niet kortsluiten of uit elkaar halen. Raadpleeg onmiddellijk een arts, wanneer een batterij wordt ingeslikt. Indien nodig, moet u de contactpunten op de batterij en het toestel reinigen vooraleer u de batterij inzet. Neem uitgeputte batterijen onmiddellijk uit het toestel!

### Verhoogd risico op lekkage!

Stel batterijen nooit bloot aan overmatige hitte zoals zonneshijn, brand en dergelijke!

Er is een verhoogd risico op lekkage!

Vermijd contact met de huid, ogen en slijmvliezen. Spoel de delen die door batterijzuur zijn aangetast met veel koud water en raadpleeg onmiddellijk een arts. Gebruik enkel batterijen van hetzelfde type. Verwijder de batterijen als het toestel gedurende een lange periode niet wordt gebruikt.

### Vervanging van de batterij:

Om de batterij te vervangen, draait u de afstandsbediening om en opent u de behuizing met een schroevendraaier. Hef de klep op en hef het plaatje eronder op. Schuif de batterij naar een kant en verwijder. Respecteer de polariteit van de batterij! Monteer opnieuw in omgekeerde volgorde.

### OPGELET!

Explosiegevaar wanneer de batterij op verkeerde wijze wordt vervangen. Enkel te vervangen door een identiek of gelijkwaardig type (CR2032) 3V.

## 30 Verwijdering

De verpakking moet worden gedeponerd in de plaatselijke recyclagecontainers. Volgens Europese Richtlijn 2002/96/EG betreffende afgedankte elektrische apparatuur moet dit toestel na gebruik op correcte wijze worden verwijderd om een recycling van de gebruikte materialen te garanderen.



OOude accu's en batterijen mogen niet met het huishoudelijk afval worden verwijderd, aangezien ze verontreinigende stoffen bevatten en op correcte wijze moeten worden gedeponerd bij gemeentelijke inzamelpunten of in de containers die de verdeler heeft verstrekt.

— Landspecifieke voorschriften moeten worden nageleefd. De componenten moeten op correcte wijze worden verwijderd bij een publiek bedrijf dat gespecialiseerd is in afvalverwijdering. De desbetreffende plaatselijke en nationale voorschriften moeten worden nageleefd. Alle uit bedrijf genomen componenten van de aandrijving mogen niet met het huishoudelijk afval worden verwijderd.

De bevoegde autoriteit (stedelijk, gemeentelijk) of het afvalverwijderingsbedrijf zal u informeren over de mogelijkheden van deze verwijdering.

## 31 Diagnostische kaart

Uw garagepoortopener is geprogrammeerd met zelfdiagnosefuncties.

De pijlen OMHOOG en OMLAAG op de garagepoortopener knippen de diagnostische codes.

DIAGNOSTISCHE CODE	SYMPTOOM	OPLOSSING
Pijl omhoog Knippen	Pijl omlaag Knippen	
1	1	De garagepoortopener sluit niet en het licht knippert. Als er infrarode fotocellen zijn geïnstalleerd, zijn ze niet aangesloten of zijn de draden onderbroken. Inspecteer de sensordraden op onderbroken of afgesneden draad.
1	2	De garagepoortopener sluit niet en het licht knippert. Er is een kortsluiting of een omgekeerde draad naar de infrarode fotocellen. Inspecteer de draad van de fotocellen op alle nietpunten en verbindingpunten en vervang of corrigeer de draad waar nodig.
1	3	De poortbediening functioneert niet. De draden van de poortbediening zijn kortgesloten of de poortbediening is defect. Inspecteer de draden van de poortbediening op alle nietpunten en verbindingpunten en vervang of corrigeer de draad waar nodig.
1	4	De garagepoortopener sluit niet en het licht knippert. Als er infrarode fotocellen zijn geïnstalleerd, zijn ze verkeerd uitgelijnd of tijdelijk belemmerd. Lijn beide sensoren opnieuw uit om ervoor te zorgen dat beide LED's constant branden en niet knippen. Zorg ervoor dat er niets aan de poort hangt of er op gemonteerd is dat het pad van de sensor kan onderbreken tijdens het sluiten.
1	5	De poort beweegt 15-20 cm, stopt of keert om. Open en sluit de poort manueel. Controleer de poort op vastzitten of obstakels, zoals een gebroken veer of poortslot. Breng de nodige correcties aan. Controleer de bedrading van de verbindingen op de bewegingsmodule en het paneel. Vervang de bewegingsmodule indien nodig.
1	5	Geen beweging, enkel één klik. Open en sluit de poort manueel. Controleer de poort op vastzitten of obstakels, zoals een gebroken veer of poortslot. Breng de nodige correcties aan. Vervang het paneel indien nodig.
1	5	De opener bromt 1-2 seconden zonder beweging. Open en sluit de poort manueel. Controleer de poort op vastzitten of obstakels, zoals een gebroken veer of poortslot. Breng de nodige correcties aan. Vervang de motor indien nodig.
1	6	Poort uitloop nadat ze volledig tot stilstand is gekomen. Programmeer de beweging naar het uitlooppunt of laat de poort balanceren door een opgeleide technicus.
2	1-5	Geen beweging of geluid. Vervang het paneel.
3	1	De garagepoortopener beweegt lichtjes en stopt dan. Activeer de garagepoortopener opnieuw. Als het probleem zich blijft voordoen, vervang dan het paneel.
3	3	De batterijstatus-LED knippert constant groen. Fout in het laadcircuit van de reservebatterij, vervang het paneel.
3	5	De garagepoortopener sluit niet en de poort keert om tijdens de beweging. Als er eerder twee kabelspanningsmeters waren geïnstalleerd en een ervan is verwijderd, koppel de opener dan drie keer aan en af om de monitor opnieuw aan te leren aan de opener. <ul style="list-style-type: none"><li>• Controleer op mogelijke obstakels voor de poort en verwijder ze</li><li>• Controleer of de kabelspanningsmeter juist is aangesloten op de opener.</li><li>• Vervang de kabelspanningsmeter</li></ul>



DIAGNOSTISCHE CODE	SYMPTOOM	OPLOSSING
Pijl omhoog Knipperen	Pijl omlaag Knipperen	
4	1-4	De poort beweegt, stopt en/of keert om.
4	5	De opener werkt ongeveer 15-20 cm, stopt en keert om.
4	6	De garagepoortopener sluit niet en het licht knippert.
5	5	De poort zal niet sluiten wanneer u Timer-to-Close of MyQ Smartphone Control gebruikt.

## 32 Problemen oplossen

### De garagepoortopener werkt niet vanaf de poortbediening of de afstandsbediening:

- Heeft de garagepoortopener elektrische stroom? Steek een lamp in het stopcontact. Als ze niet brandt, controleert u de zekeringkast of de stroomonderbreker. (Sommige stopcontacten worden bediend door een wandschakelaar)
- Heeft u alle poortsloten uitgeschakeld? Herbekijk de waarschuwingen bij de installatie-instructies op bladzijde 5.
- Zijn de bedradingsverbindingen correct?
- Is er ijs of sneeuwvorming onder de poort? De poort kan aan de grond gevoren zijn. Verwijder eventuele restricties.
- De veer van de garagepoort is mogelijk gebroken. Laat ze vervangen (zie punt 3 Planning).

### De poortopener werkt vanaf het bedieningsstation met één knop, maar niet met de afstandsbediening:

- Herprogrammeer de afstandsbediening en vervang de batterij indien nodig. Herhaal dit voor alle afstandsbedieningen.

### De poort opent en sluit vanzelf:

- Zorg ervoor dat alle drukknoppen op de afstandsbediening uit staan.
- Verwijder de beldraad van de contactpunten van het bedieningsstation met één knop en werk enkel met de afstandsbediening. Als dat het probleem oplost, is het bedieningsstation met één knop defect of is er een tijdelijke kortsluiting in de draad. Vervang het bedieningsstation.
- Wis het geheugen en herprogrammeer alle afstandsbedieningen (raadpleeg de instructies bij de afstandsbedieningen of ga naar [LiftMaster.eu](http://LiftMaster.eu)).

### Mijn afstandsbediening activeert de garagepoort niet:

- Controleer of de vergrendelingsfunctie op de poortbediening niet is geactiveerd.
- Herprogrammeer de afstandsbediening.
- Als de afstandsbediening de poort nog altijd niet activeert, controleer dan de diagnostische codes om te zien of de garagepoortopener correct functioneert.

### De afstandsbediening heeft een kort bereik:

- Verander de locatie van de afstandsbediening in uw wagen.
- Sommige installaties hebben een korter bereik door de metalen deur, isolatie met folie of een metalen zijkant van de garage.

### De poort gaat niet volledig open:

- Controleer de stroom van het poortslot.
- Is er iets dat de poort verspert? Is ze uit balans of zijn de veren gebroken? Verwijder de obstructie of herstel de poort.

### De poort gaat open, maar sluit niet:

- Controleer of de kabelspanningsmeter correct is geïnstalleerd. Als een tweede kabelspanningsmeter is verwijderd, volgt u de instructies om één kabelspanningsmeter opnieuw aan te leren (zie punt 14).
- De infrarode fotocellen moeten worden aangesloten en correct uitgelijnd vooraleer de poortopener in de neerwaartse richting beweegt. Als u de poort door middel van constante druk kunt sluiten, controleer dan of de infrarode fotocellen correct zijn geïnstalleerd en vrij van obstakels zijn.
- Als de lichten van de garagepoortopener knipperen, controleer dan de infrarode fotocellen.
- Als de lichten van de garagepoortopener niet knipperen en het is een nieuwe installatie (zie punt 14). Voor een bestaande installatie, zie hieronder.

Herhaal de test van de veiligheidsomkering nadat de aanpassing voltooid is.

**De poort keert zonder aanwijsbare reden om en de lichten van de garagepoortopener knipperen niet:**

- Controleer of de kabelspanningsmeter correct is geïnstalleerd. Indien een van de kabelspanningsmeters wordt verwijderd, moet u beide meters van de opener koppelen. Sluit vervolgens de meter aan die u wenst te gebruiken en koppel de opener drie keer aan en af, zodat de opener de meter opnieuw kan leren. De 1k weerstand dient enkel om problemen met de instellingen van de CTM op te sporen. Volgens EN12453 moet de kabelspanningsmeter worden geïnstalleerd om speling op de kabel goed te detecteren.
- Is er iets dat de poort versperft? Trek aan de noodontgrendelingshendel. Bedien de poort manueel. Als ze ongebalanceerd is of vastzit, moet u een opgeleide poortspecialist bellen.
- Verwijder ijs of sneeuw van de garagevloer op de plaats waar de poort sluit.
- Herbekijk punt 20.

Herhaal de test van de veiligheidsomkering na aanpassingen.

**Mijn poort sluit niet en het licht knippert:**

De infrarode fotocellen moeten worden aangesloten en correct uitgelijnd vooraleer de garagepoortopener in de neerwaartse richting beweegt.

- Controleer of de infrarode fotocellen correct geïnstalleerd, uitgelijnd en vrij van obstructies zijn.

**De garagepoortopener heeft moeite om de poort te bedienen:**

- De poort is mogelijk uit balans of de veren zijn gebroken. Sluit de poort en gebruik de noodontgrendelingshendel om de poort af te koppelen. Open en sluit de poort manueel. Een correct gebalanceerde poort blijft op eender welk punt van de beweging hangen zonder volledig te worden ondersteund door de veren. Als dat niet het geval is, moet u de garagepoortopener afkoppelen en een opgeleide poortspecialist bellen.

**De motor van de garagepoortopener bromt kort, en werkt daarna niet meer:**

- De veren van de garagepoort zijn mogelijks gebroken. Zie hierboven.
- Als het probleem zich voordoet bij het eerste gebruik van de garagepoortopener, is de poort mogelijk vergrendeld. Schakel het elektrische poortslot uit.

**De garagepoortopener werkt niet als gevolg van een stroomstoring:**

- Open het elektrische poortslot met de hand.
- Gebruik de noodontgrendelingshendel om de poort af te koppelen. De poort kan manueel worden geopend en gesloten. Als de stroom wordt hersteld, moet u nog eens aan de manuele ontgrendeling trekken.
- Schakele eventuele poortvergrendelingen uit. Gebruik de noodontgrendelingshendel om de poort af te koppelen. De poort kan manueel worden geopend en gesloten.

**De poort verliest haar limieten:**

- De kraag is niet goed vastgemaakt. Maak de kraag vast en herprogrammeer de limieten (zie punt 20).

**De garagepoortopener beweegt terwijl de poort in werking is:**

- Minieme beweging is normaal voor dit product. Als de beweging overmatig is, zal de kraag vroegtijdig verslijten.
- Controleer of de torsiestang niet teveel naar links/rechts beweegt.
- Controleer of de torsiestang niet zichtbaar op en neer beweegt terwijl ze roteert.
- Controleer of de opener in een juiste hoek tegenover de blinde as is gemonteerd. Als dat niet het geval is, moet u de positie van de montagebeugel verschuiven.

**De connector van de automatische poortvergrendeling past niet in de plug van de poortopener:**

- Oudere model 24V deursloten zijn niet compatibel. Gebruik automatisch poortslot model 841EU, zie Accessoires pagina.

**Het automatische garagepoortslot wordt niet geactiveerd wanneer de garagepoort opent of sluit:**

- In de reservebatterijmodus wordt het automatische garagepoortslot ontgrendeld wanneer de garagepoort wordt geopend, en blijft uitgeschakeld tot de stroom opnieuw wordt ingeschakeld.

**De poortopener piept:**

- Geeft een onbewaakte sluiting aan. De opener is geactiveerd door de MyQ app of de garage- en de poortmonitor.
- Een constante oranje LED met ca. elke 2 seconden een pieptoon geeft aan dat de poortopener op batterijstroom werkt.
- Een knipperende oranje LED met elke 30 seconden een pieptoon geeft aan dat het batterijniveau laag is.
- Een constante rode LED met elke 30 seconden een pieptoon geeft aan dat de 12V batterij niet meer kan worden opgeladen en moet worden vervangen.

**De garagepoort piept en de rode LED knippert:**

De batterijniveau is laag of de batterij is leeg.

- Vervang de batterij

**MyQ Smartphone Control, draadloze MyQ-toestellen en Timer-To-Close werken niet:**

- Als de poortopener op de reservebatterij draait, worden MyQ Smartphone Control, draadloze MyQ-toestellen en Timer-To-Close uitgeschakeld.
- MyQ Remote LED-licht moet geïnstalleerd zijn om Timer-To-Close van MyQ Smartphone Control te gebruiken om de poort te bedienen. Plug het MyQ Remote LED-licht: in en zorg ervoor dat het op de garagepoortopener is geprogrammeerd. Het kan 5 minuten duren om Timer-to-Close en MyQ Smartphone Control te activeren.

### 33 Optionele accessoires

Gebruik altijd LiftMaster accessoires.

Andere producten kunnen storingen veroorzaken.

1.	TX4UNIF	4-kanaals universele afstandsbediening
2.	TX4EVS	4-kanaals afstandsbediening
3.	TX4UNI/S	4-kanaals universele afstandsbediening
4.	128EV	Draadloze wandschakelaar 2-kanaals
5.	747EV	Toetsenblok
6.	78EV	Bedrade multifunctionele wandschakelaar
7.	FLA-1LED	Knipperlicht
8.	772E	Fotocellen
9.	100034	Sleutelschakelaar (geïntegreerde montage)
10.	100041	Sleutelschakelaar (oppervlakmontage)
11.	829EV	Garagepoortmonitor
12.	485EU	Reservebatterij
13.	827EV	MyQ Remote LED-licht:
14.	041A9264	Kabelspanningsmeter
15.	841EU	Automatisch poortslot

### 34 Technische specificaties

Ingangsspanning	230 tot 240V wisselstroom, 50 Hz
Max. koppel	36 Nm - wisselstroom + reservebatterij 29 Nm - wisselstroom
Nominaal koppel	10 Nm
Vermogen	150 W
Stand-by vermogen	2,6 W
Motortype	DC poortaanrijvingsmotor permanente smering
Geluidsniveau	57dB
Bewegingssnelheid	21 tpm (omlaag), 36 tpm (omhoog)
Veiligheid personeel	Drukknop en automatische stop in neerwaartse richting. Drukknop en automatische stop in opwaartse richting.
Elektronisch	Automatische krachtregeling
Elektrisch	Transformatorbeveiliging en drukknop voor bedrading met laagspanning.
Begrenzer	Optische tpm/passeerpunt detector.
Limietregeling	Elektronisch, semi- en volautomatisch.
Startcircuit	Drukknop laagspanningscircuit
Max. poorthoogte	3 m
Max. poortbreedte	5,5 m
Max. poortoppervlakte	16,5 m <sup>2</sup>
Max. poortgewicht	130 kg
Hanggewicht	11 kg
Geheugenregisters ontvanger	64
Werkfrequentie	433 / 868 MHz, 2,4 GHz

## 35 Veiligheids- & onderhoudsgids van de automatische garagepoortopener

### VEILIGHEID VAN DE GARAGEPOORTOPENER - EEN AUTOMATISCHE BESLISSING

Een garagepoort is het grootste bewegende voorwerp in een woning. Een verkeerd afgestelde garagepoort en opener kunnen dodelijke kracht uitoefenen wanneer de poort sluit - waardoor kinderen of volwassenen verstrikt kunnen geraken, wat kan leiden tot verwondingen of overlijden.

De juiste installatie, werking, het juiste onderhoud en tests van de garagepoort en automatische opener zijn noodzakelijk om een veilig en probleemvrij systeem te garanderen. Roekeloos gebruik of kinderen laten spelen met of gebruik maken van bedieningen van de garagepoortopener zijn eveneens gevaarlijke situaties die tot tragische gevolgen kunnen leiden. Enkele eenvoudige voorzorgen kunnen uw familie en vrienden beschermen tegen potentieel gevaar. Gelieve de veiligheids- en onderhoudstips in deze brochure aandachtig te lezen en de brochure bij te houden voor later gebruik. Controleer de werking van uw garagepoort en opener om te garanderen dat ze veilig en probleemloos werken. Lees alle belangrijke veiligheidsinformatie in de handleiding van uw garagepoortopener. U vindt er meer details en veiligheidsoverwegingen dan er in deze brochure kunnen worden verstrekt.

#### Garagepoortopeners zijn geen speelgoed

Bespreek de garagepoort en de veiligheid van de opener met uw kinderen. Leg hen uit hoe gevaarlijk het kan zijn als ze onder de poort verstrikt raken.



**Blijf uit de buurt van een bewegende poort.**



**Houd zenders en afstandsbedieningen buiten het bereik van kinderen.** Laat kinderen niet spelen met of gebruik maken van zenders of andere afstandsbedieningen.



**De drukknop op de muur moet buiten het bereik van kinderen zijn,** minstens anderhalve meter van het dichtstbijzijnde staande oppervlak en weg van alle bewegende onderdelen. Monteer en gebruik de knop op een plaats waar u de sluitende garagepoort goed kunt zien.



**Houd de poort in het zicht tot ze volledig gesloten is** wanneer u de drukknop op de muur of de zender gebruikt.

## 36 Routineus onderhoud van tragedies voorkomen

Voer een maandelijkse inspectie en test van uw garagepoort en openersysteem uit als onderdeel van uw gewone routine. Herbekijk de handleiding van zowel de poort als de poortopener. Als u de handleidingen niet heeft, neem dan contact op met de fabrikant(en) en vraag een kopie van uw specifieke model(len). U vindt het modelnummer van uw opener aan de achterzijde van de voeding.



### WAARSCHUWING - De veren staan onder hoge spanning.

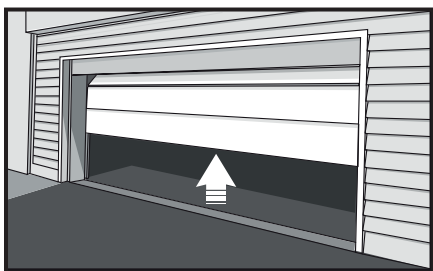
Ze mogen alleen door bevoegde personen worden afgesteld.

### Voer een visuele controle van de poort en installatie uit:



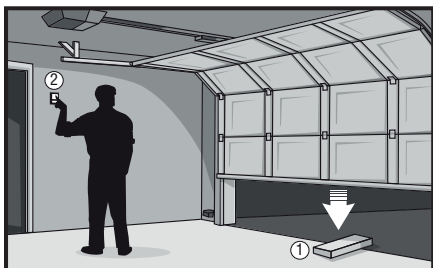
- Begin met de poort in gesloten positie, gebruik de manuele afkoppeling op de opener om de poort af te koppelen.
- Zoek naar sporen van slijtage of schade aan scharnieren, rollers, veren en poortpanelen.
- Deze onderdelen moeten mogelijk periodiek worden gesmeerd. Raadpleeg de handleiding voor het voorgestelde onderhoud.
- Bij tekenen van schade neemt u contact op met een opgeleide poortspecialist voor bijstand.
- Controleer of het oog (fotocel) niet hoger dan 1,80m boven de garagevloer komt.

### De juiste werking van de poort testen:



- Open en sluit de poort manueel met de hendels of geschikte grijppunten.
- De poort moet vrij en zonder problemen bewegen.
- De poort moet in balans zijn en ca. 1 m boven de vloer gedeeltelijk open blijven.
- Als u tekenen van een slechte werking vaststelt, neem dan contact op met een opgeleide poortspecialist voor bijstand.

### De veiligheidsfuncties van de opener testen:



- Verbind de opener opnieuw met de poort met behulp van de manuele afkoppeling en open de poort.
- Plaats een 40 mm hoge plaat rechtop in het traject van de poort (1) en probeer ze te sluiten (2). De poort moet stoppen wanneer ze in contact komt met de plaat en dan van richting veranderen.
- Blokkeer de fotocelsensor door een voorwerp voor de sensor te bewegen en probeer de poort te sluiten. De poort sluit niet, tenzij de drukknop op de muur manueel wordt ingedrukt gehouden tijdens de werking.
- Als de opener niet werkt zoals beschreven, neem dan contact op met een opgeleide poortspecialist voor bijstand.

**Bemærk:**

Den oprindelige installations- og driftsvejledning blev udarbejdet på engelsk.  
Enhvert andet tilgængeligt sprog er en oversættelse af den originale engelske version.

<b>1</b>	Generelle sikkerhedsretningslinjer .....	2
<b>2</b>	Anvendelsesformål .....	3
<b>3</b>	Planlægning af portdrift .....	3
<b>4</b>	Planlægning for MyQ drift .....	3
<b>5</b>	Forbered din garageport .....	4
<b>6</b>	Nødvendige værktøjer .....	4
<b>7</b>	Kartonindhold .....	4
<b>8</b>	Nødvendigt tilbehør .....	4
<b>9</b>	Fastgør kraven til garageportåbneren .....	5
<b>10</b>	Fastgør monteringsbeslag til garageportsåbner .....	5
<b>11</b>	Placer og monter garageportåbneren .....	5
<b>12</b>	Fastgør nødopløsningsrullen og håndtaget .....	5
<b>13</b>	Installer den automatiske portlås .....	6
<b>14</b>	Vedhæft kabelspændingsmonitoren (041A9264) (påkrævet tilbehør) .....	6
<b>15</b>	Installer MyQ Remote LED Light (kun beregnet til tørre områder) .....	7
<b>16</b>	Elektrisk tilslutning .....	7
<b>17</b>	Installation af fotoceller .....	7
<b>18</b>	Tilslut strøm .....	8
<b>19</b>	Installer batteribackup (Ekstra tilbehør) .....	8
<b>20</b>	Programmer rejsen .....	9
<b>21</b>	Test sikkerhedssvingningssystemet .....	9
<b>22</b>	For at åbne porten manuelt .....	10
<b>23</b>	For at bruge din garageportåbner .....	10
<b>24</b>	Forbind din smartphone .....	12
<b>25</b>	Programmer din åbner og fjernbetjening / Den trådløse trykknop // Trådløs tastatur (Valgfrit) .....	13
<b>26</b>	Programmer MyQ Remote LED-lampen .....	13
<b>27</b>	For at slette hukommelsen .....	14
<b>28</b>	Vedligeholdelse af din garageportåbner .....	14
<b>29</b>	Udskift batterierne på fjernbetjeningen .....	14
<b>30</b>	Bortskaffelse .....	15
<b>31</b>	Diagnostisk Diagram .....	15
<b>32</b>	Fejlfinding .....	16
<b>33</b>	Ekstra tilbehør .....	18
<b>34</b>	Teknisk data .....	18
<b>35</b>	Automatisk garageportsåbner Sikkerheds- og vedligeholdelsesvejledning .....	19
<b>36</b>	Rutinemæssig vedligeholdelse kan forhindre tragedier .....	20

# ADVARSEL!

## START MED AT LÆSE DISSE VIGTIGE SIKKERHEDSINSTRUKTIONER!

### 1 Generelle sikkerhedsretningslinjer

Før du begynder installationen:

Læs venligst betjeningsvejledningen og især forholdsreglerne. Behold manualen til fremtidig reference og giv den videre til en eventuel efterfølgende ejer. Følgende symboler er placeret foran instruktioner for at undgå personskade eller skade på ejendom. Læs disse instruktioner omhyggeligt.



#### FORSIGTIG

Personskade eller skade på ejendom



#### FORSIGTIG

Fare på grund af elektrisk strøm eller spænding

#### Vigtige sikkerhedsoplysninger

Det automatiske portåbningssystem er naturligvis testet og designet til sikker drift, men sikkerheden kan kun sikres, hvis sikkerhedsforskrifterne nedenunder er nøje overholdt under installation og drift. Dette produkt er kun beregnet til installation af uddannede garageportsteknikere. Dette produkt kan kræve justeringer af portfjedere og/eller sporkonfigurationer. Dette produkt er ikke beregnet til brug på lavtliggende spor med udvendige pick-up-trimler eller garageporte med udvidelsesfjedere.

- Installatøren (specialist) skal omhyggeligt læse og forstå disse instruktioner, inden arbejdet påbegyndes. Inden første brug og mindst en gang årligt skal en specialist inspicere drevne vinduer, døre og porte om deres sikre tilstand. Specialisten, som på baggrund af deres tekniske uddannelse og erfaring har tilstrækkelig viden inden for drevne vinduer, døre og porte og er desuden bekendt med relevante statslige sikkerhedsforskrifter og almindeligt anerkendte teknologier i en sådan grad, at han er også i stand til at vurdere sikker drift af drevne vinduer, døre og porte.
  - Den person, der installerer, skal have kendskab til følgende standarder: EN 13241, EN 12604, EN 12453. Den uddannede specialist/ekspert skal instruere operatøren i følgende:
    - Drift af drevet og dets farer
    - Håndtering af den manuelle nødopløsningsmekanisme
    - Den regelmæssige vedligeholdelse, inspektion og pleje og hans opgaver
    - Operatøren skal instruere andre brugere om driften af drevet. Efter en vellykket installation af drevet skal den ansvarlige for installationen af drevet i overensstemmelse med Maskindirektivet 2006/42/EF udstede EF-overensstemmelseserklæringen til portsystemet. CE-mærket og en typeskilt skal fastgøres til portsystemet. Dette er også obligatorisk ved eftermontering på en manuelt betjent port. Endvidere skal en overleveringsprotokol og en inspektionsbog udfyldes.
  - Porten skal være afbalanceret. Ikke-bevægelige eller porte der sætter sig fast skal repareres. I en ubalanceret tilstand er garageporte, portfjedere, kabler, skiver, beslag og skinner under ekstrem spænding, hvilket kan medføre alvorlig skade. Forsøg ikke at løsne, flytte eller justere porten, men kontakt servicecenter eller en port-professionel.
  - Under installation eller vedligeholdelse af en portåbner må der ikke bæres smykker, ure eller løst tøj.
  - For at undgå alvorlig personskade på grund af indfiltrering, skal du fjerne alle kabler og kæder, der er tilsluttet porten, før du åbner portåbneren.
  - Under installation og elektrisk tilslutning skal de lokale bygnings- og elektriske forskrifter overholdes.
  - Installation af kabelspændingsmonitor er påkrævet i henhold til EN12453.
  - For at undgå skader på meget lette porte (f.eks. Glasfiber, aluminium eller stålporte) skal der tilsættes en passende forstærkning. Det gør du ved at kontakte portproducenten.
  - Det automatiske sikkerhedssystem skal gennemgå en test. Ved kontakt med en 40 mm høj barriere på jorden skal garageportene returnere. Manglende korrekt justering af portåbneren kan resultere i alvorlig personskade fra en lukkende garageport. Gentag test en gang om måneden og foretag de nødvendige ændringer.
  - Dette system må ikke installeres på fugtige eller våde områder.
  - Under drift bør porten under ingen omstændigheder hindre offentlige passager.
  - For at minde alle operatører om sikker drift skal der ud over den belyste vægkontakt anbringes et advarselsskilt for at beskytte børn. Advarselsskiltene om risikoen for at blive fanget skal anbringes på klart synlige steder.
  - Børn skal overvåges for at sikre, at de ikke leger med enheden. Lad ikke børn betjene trykknapper eller fjernbetjeninger.
  - Denne enhed er ikke beregnet til brug af personer (herunder børn) med begrænsede fysiske, sensoriske eller mentale evner eller manglende erfaring og/eller viden, medmindre de overvåges af en person, der er ansvarlig for deres sikkerhed eller har modtaget instruktion om, hvordan man bruger enhed.
  - Alle barrierer/låse er deaktiveret for at undgå skader på porten.
  - Om nødvendig skal installeret styringsudstyr monteres inden for portens synsvinkel og uden for rækkevidde af børn. Børn bør ikke have tilladelse til at betjene knapperne eller fjernbetjeningen. Fejlbrug af portåbneren kan medføre alvorlig skade.
  - Portåbneren bør KUN bruges, hvis operatøren kan se hele portområdet og er sikker på at det er fri for forhindringer, og portåbneren er indstillet korrekt. Ingen må passere gennem porten, mens den bevæger sig. Børn må ikke have lov til at lege i nærheden af porten.
  - Brug kun den manuelle frigivelse til adskillelse af transportøren fra drevet og - hvis det er muligt - KUN med porten lukket. Brug ikke det røde håndtag til at skubbe porten op eller trække den nedad.
  - For reparationer eller fjernelse af dæksler skal portåbneren adskilles fra elforsyningen.
- Reparationer og elektriske installationer må kun udføres af en autoriseret elektriker.**

- Dette produkt har en transformator med en særlig netledning. I tilfælde af skade SKAL dette erstattes med en original transformator af en kvalificeret tekniker.
- Drift af nødudløsningen kan føre til ukontrollerede bevægelser af porten, hvis fjedre er svage eller brudte, eller hvis porten er ubalanceret.
- Monter frigivelseshåndtaget til nødudløsningen i en højde mindre end 1,80 m.
- Timer-To-Close (TTC) -funktionen, MyQ Smartphone Control-appen og MyQ Garage Door og Gate Monitor er eksempler på uovervåget lukning og skal kun bruges med sektionssporte. Enhver enhed eller funktion, der gør det muligt for porten at lukke uden at være i portens synsfelt, betragtes som uovervåget lukning. Funktionen Timer-To-Close (TTC), MyQ Smartphone Control og andre MyQ-enheder skal kun bruges med sektionssporte.
- Drevet må ikke anvendes, hvis der er en slipdør i garageportens.

Gem disse instruktioner.

## 2 Anvendelsesformål

Enheden er beregnet til åbning og lukning af porte, der anvender en torsionsstang og fjedre (se afsnit 3 "Planlægning"). Enheden er ikke beregnet til kommerciel brug, men udelukkende til brug i private garageporte, der passer til en enkelt husstand. Enhver ukorrekt brug af drevet kan øge risikoen for ulykker. Producenten påtager sig intet ansvar for sådan brug. Kun det originale tilbehør til LiftMaster kan tilsluttes drevet. Med dette drev skal automatiske porte overholde gældende internationale og landespecifikke og lokale standarder, retningslinjer og forskrifter (EN 13241, EN 12453 og EN 12604).

## 3 Planlægning af portdrift

Undersøg dit område for at se, om nogen af nedenstående betingelser gælder for din installation.

Afhængigt af dine krav kan der kræves yderligere materialer.

### DENNE PORTÅBNER ER KOMPATIBEL MED:

- Porte, der bruger en torsionsstang og fjedre. Torsionsstangen skal have en diameter på 25,4 mm. IKKE kompatibel med omvendt viklede tromler.
- 80-120 mm tromler, der ikke må anvendes på koniske tromler over 120 mm.
- Standardløft sektionssporte op til 3 m høj.
- Porte op til 5,5 m bred.
- Porte op til 16,5 m<sup>2</sup>.

**BEMÆRK:** Undersøg torsionsstangen, mens porten er hævet og sænket. Det er vigtigt, at der ikke er nogen mærkbar bevægelse op og ned eller til venstre og højre. Hvis bevægelsen ikke korrigeres, vil garagerportåbnerens levetid reduceres betydeligt.

Gennemgå eller inspicere det foreslåede installationsområde. Portåbneren kan installeres på venstre eller højre side af porten. Vælg den side, der opfylder kravene nedenfor.

- Skal have mindst 6,4 cm mellem væggen og torsionsstangen.
- Skal have mindst 7,6 cm mellem loftet og midten af torsionsstangen.
- Skal have mindst 21,6 cm mellem sidevæggen (eller obstruktionen) og enden af torsionsstangen.
- Torsionsstangen skal strække sig mindst 3,81 cm forbi lejet. Dette kan variere afhængigt af installationskravene.
- Der kræves en stikkontakt inden for 1,83 m af installationsområdet. Hvis der ikke findes stikkontakt, skal du kontakte en autoriseret elektriker.

## 4 Planlægning for MyQ drift

Denne operatør har evnen til at blive styret af MyQ - photoeyes, der skal installeres. Overvåg og kontroller din garageport fra hvor som helst ved hjælp af MyQ app.

### FØR DU BEGYNDER:

Skal du bruge:

- Wi-Fi-aktiveret smartphone, tablet eller bærbar computer
- Bredbåndsforbindelse til internettet
- Wi-Fi-signal i garagen (2.4 Ghz, 802.11b/g/n er påkrævet)
- Adgangskode til dit hjemmenetværk (routerens hovedkonto, ikke gæste-netværk)

### TEST WI-FI SIGNALSTYRKE

Sørg for, at din mobilenhed er forbundet til dit Wi-Fi-netværk. Hold din mobile enhed på det sted, hvor din garagerportåbner vil blive installeret, og kontroller Wi-Fi signalstyrken.

### Wi-Fi-signalet er stærkt.

Garageportsåbneren vil forbinde til dit Wi-Fi-netværk.

### Wi-Fi-signalet er svagt.

Garageportsåbneren kan tilslutte dit Wi-Fi-netværk. Hvis ikke, prøv en af mulighederne nedenfor for at forbedre Wi-Fi-signalet:

### Ingen Wi-Fi-signal.

Garageportsåbneren vil ikke kunne oprette forbindelse til dit Wi-Fi-netværk. Prøv en af nedenstående muligheder for at forbedre Wi-Fi-signalet :

- Flyt din router tættere på garagerportåbneren for at minimere interferens fra vægge og andre genstande
- Køb en Wi-Fi-serieforlænger



## 5 Forbered din garageport



**FORSIGTIG:** Ring **ALTID** efter en uddannet portsystemtekniker, hvis garageporten binder, sidder fast eller er ude af balance. En ubalanceret garageport vil måske **IKKE** vende om nødvendigt. Forsøg **ALDRIG** at løsne, flytte eller justere garageporten, portfjedere, kabler, rømskiver, beslag eller deres hardware, hvoraf **ALLE** er under **EKSTREM** spænding. Slå **ALLE** låse fra og fjern **ALLE** reb forbundet med garageporten **FØR** du installerer og betjener garageportåbner for at undgå sammenfiltring. Dette åbningssystem er udstyret med en uovervåget operationsfunktion. Porten kunne bevæge sig uventet. **INGEN SKAL GP I VEJEN FOR EN PORT I BEVÆGELSE.**

**FØR DU BEGYNDER:**

- Deaktiver låsene.
- Fjern eventuelle reb, der er forbundet med garageporten.

Udfør følgende test for at sikre, at garageporten er afbalanceret og ikke klæber eller binder:

- Løft porten halvvejs op. Slip porten. Hvis den er afbalanceret, skal den forblive på plads, støttet udelukkende af dens fjedere.
- Løft og sænk porten for at kontrollere om den binder eller sidder fast.
- Porte, der er tungere end 130 kg, bør **IKKE** åbne eller falde hurtigt.

Hvis din port binder, sidder fast eller er ude af balance, skal du ringe til en uddannet portsystemtekniker.

## 6 Nødvendige værktøjer

Ved montering, installation og justering af garageportåbneren vil instruktionerne kræve håndværktøj som vist herunder.

- |                |   |
|----------------|---|
| 1. Trappestige | 7. Skruetrækker                                 |
| 2. Børemaskine | 8. Vaterpas                                     |
| 3. Målebånd    | 9. Lægtehammer                                  |
| 4. Bidetang    | 10. Stikkontakter og skruenøgle med forlængelse |
| 5. Tænger      | 11. Justerbar slutnøgle                         |
| 6. Bor og bits | 12. Blyant                                      |

## 7 Kartonindhold

Hvis der mangler noget, skal du kontrollere emballagematerialet omhyggeligt.

GARAGEPORTÅBNER		HARDWARE POSE	
1. Garageportåbner, LM3800W	1x	11. Skruer 15 mm	2x
2. Automatisk garageportlåse, 841EU	1x	12. Skruer 54,8 mm	4x
3. Monteringsbeslag	1x	13. Håndtag	1x
4. Krave med sæt-skruer	1x	14. REB	1x
5. Sikkerhedsetiketter	1x	15. Skruer 15 mm	2x
6. 4-knaps fjernbetjening, TX4EVF	2x	16. Gipsanker (Skruer-ind) 36,8 mm	4x
7. MyQ Remote LED Light, 827EV	1x	17. Skruer 22 mm	2x
8. Manual			
FJERNBETJENINGS LYSHARDWARE			
9. Gipsanker (Skruer-ind) 42 mm	2x		
10. Skruer 27,85 mm	2x		

## 8 Nødvendigt tilbehør

Kabelspændingsmonitor 041A92642.

Infrarøde fotoceller (til MyQ drift: - 771EV eller- 772E eller- 771EVK eller- G770E).

## 9 Fastgør kraven til garageportåbneren

For at undgå installationsproblemer må du ikke køre garageportåbneren til garageporten, før du bliver bedt om det. Garageportåbneren kan installeres på begge sider af porten (se Planlægningsafsnit). De viste illustrationer er til installation på illustrationsarket

1. Løsn skruerne.
2. Fastgør krave til garageportåbnerens motoraksel. Siden af kraven med det større hul skal placeres på motorakslen.
3. Sørg for, at kraven sidder helt på motorakslen, indtil stop er nået.
4. Placer kraven, så skruerne vender ud og er tilgængelige, når de er fastgjort til torsionsstangen.
5. Stram de to firkanterede skruer, der er tættest på motorakslen, godt fast ved at dreje skruerne 1/4 - 1/2 omdrejning efter at have kontakt med motorakslen.

## 10 Fastgør monteringsbeslag til garageportsåbner



1. Fastgør låsesiden af monteringsbeslaget løst på samme side af garageportåbneren som kraven ved hjælp af skruerne (11).

**BEMÆRK:** Stram ikke skruerne, før det bliver instrueret.

## 11 Placer og monter garageportåbneren



Betonankre skal bruges, hvis monteringsbeslaget monteres i murværk. Forsøg ALDRIG at løsne, flytte eller justere garageport, fjedre, kabler, remskiver, beslag eller deres hardware, som alle er under EKSTREM spænding. Ring ALTID efter en uddannet portsystemtekniker/installatør/specialist, hvis garageporten binder, sidder fast eller er ude af balance. En ubalanceret garageport kan IKKE vende om nødvendigt. Garageportåbner SKAL monteres i en ret vinkel på torsionsstangen for at undgå for tidlig slitage på kraven. Overvej krav på stedet.

**BEMÆRK:** For yderligere monteringsmuligheder, se tilbehørssiden.

1. Luk garageporten helt.
2. Skub garageportåbneren på enden af torsionsstangen. Hvis torsionsstangen er for lang eller beskadiget, kan det være nødvendigt at skære i torsionsstangen. Sørg for, at kraven ikke berører lejet.
3. Brug et vaterpas til at placere og justere garageportåbneren lodret. Kontroller, at monteringsbeslaget er placeret på en fast overflade, såsom træ, beton eller port/flagbeslag. Hvis der monteres på gipsvæg, SKAL monteringsbeslaget fastgøres til en stud.
4. Når garageportåbneren er korrekt justeret, marker monteringsbeslagets huller. Stram om nødvendigt krave-skruer på torsionsstangen for at holde garageportåbneren på plads, mens markering af hullerne. **BEMÆRK:** Garageportåbneren behøver ikke at være indbygget i væg.
5. Fjern garageportåbneren fra torsionsstangen. Bør 5 mm pilothuller på de markerede steder. Bør gennem metal portskinneplader om nødvendigt.
6. Skub garageportåbneren tilbage på torsionsstangen, indtil pilothullerne er lige mod beslaget.
7. Stram de 2 kvadratiske hovedskruer på torsionsstangen. For en hul torsionsstang, skru skruerne 3/4 - 1 fuld drejning efter at have kontakt med stangen. For en solid torsionsstang, skru skruerne 1/4 - ikke mere end 1/2 omdrejning efter at have kontakt med stangen. Hvis du installerer på en nøglet torsionsstang, skal du IKKE skrue skruerne i noten.
8. Fastgør monteringsbeslaget til væggen og til garageportåbneren. Brug skruerne (12) for at fastgøre monteringsbeslaget på væggen.

## 12 Fastgør nødopløsningsrullen og håndtaget



Hvis det er muligt, brug nødhåndtaget for KUN at frakoble porten, når garageporten er LUKKET. Svage eller edelagte fjedre eller ubalancerede porte kan resultere i, at en åben port falder hurtigt og/eller uventet. ANVEND ALDRIG nødhåndtag, medmindre garageporten er fri for personer og forhindringer.

1. Sæt den ene ende af nødudløsningskabel gennem håndtaget. Sørg for, at "BEMÆRK" er rette side op. Fastgør med en overhånds knude mindst 2,5 cm fra enden af rebet for at undgå at det glider.
2. Sæt den anden ende af nødudløserkablet igennem hullet i udløserarmen. Monter nødudløsningen inden for rækkevidde, men mindst 1,83 m over gulvet, undgå kontakt med biler for at forhindre utilsigtet udløsning og fastgør med en overhånds knude.

**BEMÆRK:** Hvis det er nødvendigt at skære rebet, skal du forsegle den afskårne ende med en tændstik eller lighter for at forhindre oprævling.

## 13 Installer den automatiske portlås

Den automatiske portlås (model 841EU) bruges til at forhindre, at porten åbnes manuelt, når porten er helt lukket.

**BEMÆRK:** Ældre model 24 V portlåse er uforenelige.

1. Låsen skal monteres inden for 3,05 m af portåbner. Monter eventuelt på samme side som portåbner.
2. Sørg for, at skinneoverfladen er ren, og fastgør låsekabelonen til sporet, så bolthullet er ca. 7,6 cm fra midten af en portvals.
3. Bor huller som markeret på skabelonen.
4. Fastgør den automatiske portlås til ydersiden af portsporet med den medfølgende hardware.
5. Kør telefonledning op ad væggen til portåbner. Brug isolerede hæfteklammer (valgfri) for at sikre ledningen på flere steder. Indsæt ledningen gennem bunden af portåbneren.
6. Tilslut stikket til en af stikkene i portåbneren. En sekundær portlås (841EU) kan installeres på den modsatte side af porten ved at følge instruktionerne ovenfor.

### TEST AUTOMATISK PORTLÅS

1. Når porten er helt lukket, skal den automatiske dørlåsbolt (B) udstikke gennem sporet.
2. Betjen døren i åbne-retningen. Den automatiske portlås (A) skal trækkes tilbage, før porten begynder at bevæge sig.
3. Betjen døren i ned-retningen. Når porten er helt lukket, skal den automatiske portlås bevæge sig i låseposition for at sikre porten.

**BEMÆRK:** Hvis den automatiske portlås ikke fungerer, kan låsningen manuelt løses ved at glide det manuelle frigørelseshåndtag (C) til åben stilling.

## 14 Vedhæft kabelspændingsmonitoren (041A9264) (påkrævet tilbehør)

Kabelspændingsmonitoren SKAL tilsluttes og installeres korrekt, før garageportåbneren bevæger sig i nedadgående retning. Kabelspændingsmonitoren opdager ENHVER slæk, der kan opstå i kablerne, og vil vende porten, hvilket eliminerer serviceopkald. Installation af kabelspændingsmonitor er påkrævet i henhold til EN12453.

**BEMÆRK:** Kabelspændingsmonitoren afsendes til venstreside installation. Til højreside installation skal du fjerne snareringen, der holder rullen på plads og sætte den i igen på modsatte side af kabelspændingsmonitoren.

1. Sørg for, at portkablet er ca. 19 mm fra monteringsfladen. Portjustering eller afstandstykker kan være nødvendig for at opnå en korrekt dybde for portkablet.
2. Placer kabelspændingsmonitoren, så rullen er 5-15 cm fra tromlen, og rullen strækker sig 3-6 mm forbi kablet. Sørg for, at kabelspændingsskærmen er placeret over et træunderstøtningselement, og rullen er fri for eventuelle forhindringer.

**BEMÆRK:** Der må ikke være nogen forhindringer i installationsområdet, der forhindrer kabelspændingsmonitoren til at lukke helt, når det opdages at den slækker.

3. Markér og bor 5 mm pilothuller til skruer (pilothuller er ikke nødvendige for ankre).
4. Sæt kabelspændingsmonitoren på væggen ved hjælp af den medfølgende hardware. Sørg for, at rullen er på toppen af kablet.
5. Kør telefonledning til portåbner. Brug isolerede hæfteklammer til at sikre ledningen.
6. Tilslut telefonledning til de grønne tilslutningsklemmer (10 + 11) på portåbneren (polariteten er ikke vigtig).

**BEMÆRK:** Kablet skal have spænding gennem hele portrejsen. Sørg for, at der ikke er slæk i kablet på modsatte side af porten under normal drift. Hvis der opstår slæk under portrejsen, skal du justere kablerne efter behov.

Når to kabelspændingsmonitører er installeret, vil porten ikke bevæge sig i nedadgående retning, eller vil vende tilbage, hvis en af monitorerne opdager slæk eller er afbrudt.

### TEST KABELSPÆNDINGSMONITOR

1. Når døren er helt lukket, skal du trykke på forsiden af kabelspændingsmonitor. Der skal høres et klik. Hvis der ikke er klik, kan rullen ramme rammen og ikke tillade omskifteren at registrere slæk i kablet. Sørg for, at kabelspændingsmonitoren er monteret i flugt med væggen og rullen er fri for eventuelle forhindringer.

Den leverede 1k modstand er kun til fejlfinding ved opsætning af CTM. I henhold til EN12453 skal kabelspændingsmonitoren være installeret for korrekt påvisning af kabelsvaghed.

Hvis din kabelspændingsmonitor er blevet aktiveret, blinker OP- og NED-pilene med diagnosekode 3-5.

## 15 Installer MyQ Remote LED Light (kun beregnet til tørre områder)

MyQ Remote LED Light er designet til at tilslutte direkte til en standard 230V udgang. Vælg et passende sted på loftet eller væggen for at montere lyset inden for 1,83 m af stikkontakten, så ledningen og lyset er væk fra bevægelige dele. MyQ Remote LED Light installation er påkrævet for at aktivere MyQ og Timer-To-Close (TTC) drift.

**BEMÆRK:** Hvis der monteres lys på gipsvæggen, og der ikke kan findes en loftbøjle, skal du bruge gipsforankringer. Der kræves ikke et pilothul for at ankre til gipsvægge.

1. Bor pilothuller 15,6 cm fra hinanden, hvis monteringen på tværbjælke.

ELLER

Skrub gipsvægsankre i 15,6 cm fra hinanden, hvis der monteres på gipsvæggen.

2. Bestem længden af den ledning, der er nødvendig for at nå det nærmeste stik. Sno en overskydende ledning omkring ledningsholderen på oversiden af lysbasen. Kør ledningen gennem kanalen, lyset er indbygget.
3. Åbn linsen.
4. Monter lyset med de medfølgende skruer (9 + 10).
5. Luk linsen.
6. Tilslut lyset til stikkontakten.

**BEMÆRK:** LED lyset er meget skarpt. Du må IKKE stirre på lyset, mens du er på en stige.

Fjernbetjeningslyset til din garageportåbner er allerede programmeret fra fabrikken til at fungere med din åbner. Eventuelle ekstra eller udskiftede fjernbetjeningslys skal programmeres.

## 16 Elektrisk tilslutning



For at undgå personskade og beskadigelse af enheden skal portåbneren kun betjenes, hvis en sådan instruktion udtrykkeligt er angivet i denne vejledning. Stikket skal altid være tilgængeligt for at afbryde strømforsyningen. Elektriske installationer må kun udføres af en autoriseret elektriker.

## 17 Installation af fotoceller

### VIGTIG INFORMATION OM INFRARØDE FOTOCELLER

Instruktionerne for installation er inkluderet i leveringen af de infrarøde fotoceller og skal følges. **Fotocellerne sikrer, at porten er åben eller forbliver åben, hvis folk, især små børn, er i portområdet.** Når det er korrekt tilsluttet og justeret, vil den infrarøde fotocellesensor registrere en forhindring i sin elektroniske stråles bane. Senderens sensor sender en usynlig lysstråle til modtageren. Hvis en hindring bryder lysstrålen, mens døren lukker, stopper porten og vender tilbage til fuld åben stilling, og åben-lamperne blinker 10 gange.

For at bruge MyQ eller TTC-funktion skal sensorerne installeres i garagen, så sende- og modtagersensoren står over for porten, ikke mere end 10 cm over gulvet. Den kam enten installeres til venstre eller højre for porten, så længe solen aldrig skinner direkte ind i modtagersensorens objektiv. Den usynlige lysstrålebane skal være uhindret. Ingen del af garageporten (portspor, fjedre, hængsler, ruller eller anden hardware) kan afbryde strålen, mens porten lukker.

**BEMÆRK:** Liftmaster anbefaler at installere infrarøde fotoceller på hver installation. Til brug af MyQ eller TTC-funktion er installation af infrarød fotocelle påkrævet.

### TILSLUT DE INFRARØDE FOTOCELLER

1. Kør ledningen fra begge sensorer til garageportåbneren. Fastgør ledningen til væg og loft med hæftklamrerne.
2. Strip 11 mm isolering fra hvert sæt af ledninger. Adskil ledningerne. Sno de hvide ledninger sammen. Sno de hvide/sorte ledninger sammen.
3. Indsæt de hvide ledninger i den hvide terminal på garageportåbneren. Indsæt de hvide/sorte ledninger i den grå terminal på garageportåbneren. For at indsætte eller fjerne ledningerne fra terminalen skal du trykke på tappen med en skruetrækker.

### SØRG FOR AT DE INFRARØDE FOTOCELLER FLUGTER HINANDEN

**Porten lukkes ikke, hvis sensorerne ikke er installeret og justeret korrekt.**

Når lysstrålen er blokeret eller fejljusteret, mens porten lukker, vil porten vende om, og garageportens åbnerens lampe blinke ti gange. Hvis porten allerede er åben, lukker den ikke. Sensorerne kan justeres ved at løse vingemøtrikkerne, justere sensorerne og stramme vingemøtrikkerne.

1. Kontroller, at LED'erne i begge sensorer lyser stabilt. LED'erne i begge sensorer vil gløde stabilt, hvis de er justeret og korrekt forbundet

### TEST DE INFRARØDE FOTOCELLER

1. Åben porten. Placer en hindring i porten.
2. Tryk på fjernbetjeningsknappen for at lukke porten. Porten vil ikke bevæge sig mere end 2,5 cm, og garageportens åbnerens lampe blinke 10 gange.

Garageportåbneren lukker ikke fra en fjernbetjening, hvis LED'en i en af de infrarøde fotoceller er slukket (advarsel om, at sensoren er fejljusteret eller blokeret). **Hvis garagerportåbneren lukker porten, når den infrarøde fotocelle er blokeret (og sensorerne ikke er mere end 10 cm over gulvet), skal du ringe til en uddannet dørsystemtekniker.**

## 18 Tilslut strøm

For at undgå installationsproblemer må du ikke bruge garageportåbneren her.

For at reducere risikoen for elektrisk stød, har din garageportåbner et jordstik. Dette stik passer kun til en bestemt type stikkontakt. Hvis stikket ikke passer ind i det stik, du har, skal du kontakte en autoriseret elektriker for at installere den rigtige stikkontakt.

Der er kun en mulighed for tilslutning af strøm:

**TYPISK LEDNINGSFØRELSE**

Sæt garageportåbneren i en jordet stikkontakt.

## 19 Installer batteribackup (Ekstra tilbehør)



At reducere risikoen for **BRAND** eller **SKADER** for personer. **Afbryd ALT elektrisk og batteristrøm, FØR du udfører NOGEN service eller vedligeholdelse. Brug KUN LiftMaster del 485EU til udskiftningsbatteri. Bortskaf ikke batteriet i en brand. Batteriet kan eksplodere. Kontroller med lokale koder for bortskaffelsesinstruktioner.**

Når du er i batteribackup-tilstand, vil MyQ Smartphone Control og trådløse MyQ-enheder blive deaktiveret. I batteribackup-tilstand, låses den automatiske garageportlås, når garageporten åbnes, og forbliver deaktiveret, indtil strømmen er genoprettet.

1. Fjern strømmen fra garageportåbneren
2. Brug en skruetrækker til at fjerne batteridækslet på garageportåbneren.
3. Sæt batteriet delvist ind i batterirummet med klemmerne vendt udad.
4. Tilslut røde (+) og sorte (-) ledninger fra garageportåbneren til de tilsvarende terminaler på batteriet.
5. Sæt batteridækslet på igen.
6. Sæt strømmen til garageportåbneren

### BATTERISTATUS LED (B)

#### GRØN LED:

Alle systemer er normale.

- Et solidt grønt LED-lys angiver, at batteriet er fuldt opladet.
- Et blinkende grønt LED-lys angiver, at batteriet er ved at oplade.

#### ORANGE LED:

Garageportåbneren har tabt strøm og er i batteribackup-tilstand.

- Et solidt orange LED med bip, der lyder ca. hvert andet sekund, indikerer, at garageportåbneren arbejder med batteristrøm.
- Et blinkende orange LED med bip, der lyder hvert 30 sekund, angiver, at batteriet er lavt.

#### RØD LED:

Garageportåbnerens 12V batteri skal udskiftes.

- Et solidt rødt LED med bip, der lyder hvert 30 sekund, indikerer at 12V batteriet ikke længere holder en opladning og skal udskiftes. Udskift batteriet igen for at opretholde batteriets backupfunktion.

**BEMÆRK:** Batteriet behøver ikke at være fuldt opladet for at betjene garageportåbneren.

## 20 Programmer rejsen



Forkeft indstilling af garageportens grænser vil forstyrre korrekt funktion af sikkerhedssvingningssystemet. Efter at der er foretaget NOGEN tilpasninger, SKAL sikkerhedssvingningssystemet testes. Porten SKAL vende ved kontakt med et 40 mm objekt på gulv. For at forhindre skader på biler skal du sørge for fuldt åben port giver tilstrækkelig åbning.

Rejsegrænser regulerer de punkter, hvor døren stopper, når du flytter op eller ned. Under programmeringen kan UP og DOWN knapperne bruges til at flytte døren efter behov.

1. Tryk og hold justeringsknappen (A) indtil UP-knappen (U) begynder at blinke og/eller et bip høres.
2. Tryk og hold UP -knappen (U) indtil porten er i den ønskede UP-position.
3. Når porten er i den ønskede UP-position, skal du trykke på og slippe justeringsknappen (A). Lyset på garageportåbneren blinker to gange og DOWN-knappen (D) vil begynde at blinke
4. Tryk og hold DOWN-knappen (D) indtil porten er i den ønskede DOWN-position.
5. Når porten er i den ønskede DOWN-position, skal du trykke på og slippe justeringsknappen (A). Lyset på garageportåbneren blinker to gange og UP-knappen (U) vil begynde at blinke
6. Tryk og slip UP-knappen(U). Når døren rejser sig til den programmerede UP-position, skal du trykke på DOWN-knappen (D) vil begynde at blinke.
7. Tryk og slip DOWN-knappen(D). Porten vil rejse til den programmerede DOWN position. Programmeringen er færdig.

Hvis lyset på garageportåbneren blinker 5 gange under trinene til programmering af rejsen, er programmeringen udløbet. Hvis kabelspændingsmonitoren ikke er installeret eller føler for meget slæk i kablet, blinker lyset i garageportåbneren 5 gange. Sørg for, at kabelspændingsmonitoren er korrekt installeret, og følg trinene for programmering af rejsen. Hvis lyset på garageportåbneren blinker 10 gange under trinene til programmering af rejsen, er de infrarøde fotoceller fejlljusterede eller blokerede. Når sensorerne er justeret og uhindret, kører porten gennem en komplet op- og nedcyklus ved hjælp af fjernbetjeningen eller UP- og DOWN-knapperne. Programmeringen er færdig. Hvis du ikke kan betjene porten op og ned, skal du gentage trinene til programmering af rejsen.

## 21 Test sikkerhedssvingningssystemet



Uden et korrekt installeret sikkerhedssvingningssystem kan personer (især små børn) blive alvorligt skadet eller dræbt ved en lukkende garageport. Sikkerhedssvingningssystem skal testes hver måned. Efter at der er foretaget NOGEN tilpasninger, SKAL sikkerhedssvingningssystemet testes. Porten SKAL vende ved kontakt med et 40 mm højt objekt på gulvet.

### TEST

1. Når porten er helt åben, skal du lægge et 40 mm bræt på gulvet, centreret under garagedøren.
2. Tryk på fjernbetjeningsknappen for at lukke porten. Døren SKAL vende tilbage, når den kommer i kontakt med brættet.

### JUSTER

Hvis porten stopper, men ikke vender:

3. Gennemgå de installerede instruktioner, der er angivet for at sikre, at alle trin blev fulgt
4. Gentag programmering af rejse (se Justering Trin 1 "Punkt 20");
5. Gentag sikkerhedssvingningstesten.

Hvis testen fortsætter med at mislykkes, skal du ringe til en uddannet dørsystemtekniker.

### VIGTIGE SIKKERHEDSTJEK:

Test sikkerhedssvingningssystemet efter:

- Enhver justering af grænser.
- Eventuel reparation eller justering af porten (herunder fjedre og hardware).
- Enhver reparation til eller knæk af gulvet.
- Eventuel reparation eller justering af garageportåbneren.

## 22 For at åbne porten manuelt



Hvis det er muligt, brug nødhåndtaget for KUN at frakoble porten, når garageporten er LUKKET. Svage eller ødelagte fjedre eller ubalancerede porte kan resultere i, at en åben port falder hurtigt og/eller uventet. Brug ALDRIG nødhåndtag, medmindre garageporten er fri for personer og forhindringer.

Frakobl eventuelle portlåse, inden du fortsætter. Porten skal være lukket helt, hvis det er muligt. Træk ned på nødhåndtaget, indtil der kommer en kliklyd fra portåbneren og løft porten manuelt. For at genåbne porten til portåbneren, skal du trække nødhåndtaget lige ned en anden gang, indtil der kommer en kliklyd fra portåbneren. Porten vil tilslutte igen på den næste UP- eller DOWN-operation.

### TEST NØDHÅNDTAGET

1. Sørg for, at porten er lukket.
2. Træk i nødhåndtaget. Porten skal derefter kunne åbnes manuelt.
3. Returner porten til den lukkede position.
4. Træk nødhåndtaget en gang mere.
5. Tilslut porten til portåbneren igen.

## 23 For at bruge din garageportåbner

### FUNKTIONER

Din garageportåbner er udstyret med funktioner, der giver dig større kontrol over din garageportdrift

### ALERT-TO-CLOSE

Funktionen Alert-to-Close giver en visuel advarsel om, at en uovervåget port lukker.

### TIMER-TO-CLOSE (TTC)

TTC-funktionen lukker automatisk porten efter en bestemt tidsperiode, der kan justeres ved hjælp af en TTC-aktiveret portkontrol (Fotocellemodeller 771EV / 772E / 771EVK / G770E er påkrævet). Før og mens porten lukker blinker garageportåbnerens lys.

### TTC AKTIVERING:

1. Tryk og slip den gule Lær-knap (L) 4 gange.
2. Gul lær LED lyser
3. Kør gennem OFF/1/5/10 minutter trin ved hjælp af UP (U) og DOWN (D) pilene. Gul lær LED blinker ved valg. For eksempel, hvis du vælger 5 minutter, skal den gule lær LED blinke 5 gange som en bekræftelsesfeedback.
4. Tryk på den rektangulære justeringsknap (A) for at gemme indstillingen og forlade TTC programmeringsfunktionen. Når aktivering har afsluttet MyQ Remote LED Light blinker ÉN gang som en bekræftelse. Når du programmerer TTC-funktion, skal du trykke på den næste knap inden for 30 sekunder, ellers vil TTC-aktivering afslutte. Hvis programmeringstimeren udløber, vil TTC gå til tidligere indstillinger, og MyQ Remote LED-lampen blinker FEM gange.

For at afslutte ufuldstændig TTC programmeringsfunktion, tryk venligst og slip lær-knappen (L) en gang til.

### TTC TIMER ÆNDRING:

1. Tryk på lær-knappen (L) 4 gange.
2. Kør gennem OFF/1/5/10 minutter trin ved hjælp af UP (U) og DOWN (D) pilene. Gul lær LED blinker ved valg.
3. Tryk på den rektangulære justeringsknap (A) for at gemme indstillingen og forlade TTC programmeringsfunktionen. Når aktiveringen er færdig, vil MyQ Remote LED-lampen blinke ÉN gang som en bekræftelse.

### TTC DEAKTIVERING:

1. Tryk på den gule Lær-knap (L) 4 gange.
2. Tryk på Justeringsknappen en gang for at gemme indstillingen.
3. Når deaktiveringen er færdig, vil MyQ Remote LED-lampen blinke ÉN gang som en bekræftelse. Hvis TTC er aktiv, tæller timeren ned, og IR-strålerne afbrydes, TTC-timeren skal genstartes.

## MYQ

MyQ giver dig mulighed for at styre din garageportåbner fra din mobile enhed eller computer fra hvor som helst. MyQ-teknologien bruger et radiosignal til at give tovejs kommunikation mellem garageportåbneren og MyQ-aktiveret tilbehør. Garageportåbneren har en indvendig gateway, der giver garageportåbneren mulighed for at kommunikere direkte med et hjemme-Wi-Fi®-netværk og få adgang til din MyQ-konto.

## INFRARØDE FOTOCELLER

Når det er korrekt tilsluttet og justeret, vil de infrarøde fotoceller registrere en forhindring i sin infrarøde stråles bane. Hvis en hindring bryder den infrarøde stråle, mens døren lukker, stopper porten og vender tilbage til fuld åben stilling, og åbnerens lamper blinke 10 gange. Hvis porten er helt åben med infrarøde fotoceller installeret, og ikke flygter hinanden, lukker porten ikke fra en fjernbetjening. Du kan dog lukke porten, hvis du holder knappen på porten kontrol eller nøglefri adgang, indtil porten er helt lukket. De infrarøde fotoceller påvirker ikke åbningscyklussen.

## ENERGIBESPARELSE

For energieffektivitet går garageportåbneren i dvaletilstand, når porten er helt lukket. Dvaletilstanden slukker garageportåbneren ned, indtil den bliver aktiveret. Dvaletilstanden sekventeres med lampen i garageportåbneren; da lyset slukker, slukkes LED'erne, og når garageportåbnerens lampe tændes, lyser LED'erne. Garageportåbneren går ikke i dvaletilstand, før garageportåbneren har gennemført 5 cyklusser ved tænding.

## LYS

Garageportåbnerens lampe tændes, når åbneren i første omgang tilsluttes, strømmen genoprettes efter afbrydes, eller når garageportåbneren er aktiveret. Lyset slukker automatisk efter 4-1/2 minutter.

## LYSFUNKTION

Garageportsåbneren er udstyret med en ekstra funktion: lysene tændes, når nogen går ind gennem den åbne garageport, og den infrarøde stråle er brudt. Infrarøde fotoceller 771EV / 772E / 771EVK / G770E skal installeres for at aktivere denne funktion.

## BATTERIBACKUP (VALGFRI)

Batteribackupsystemet tillader adgang ind og ud af din garage, selv når strømmen er slukket. Når garageportåbneren arbejder med batteristrøm, vil garageportåbneren køre langsommere, lyset vil ikke fungere, batteristatus-LED'en lyser fast orange, og et bip lyder ca. hvert andet sekund.

## FOR AT BRUGE DIN GARAGEPORTÅBNER

- lukker porten, når den er helt åben
- åbner porten, når den er helt lukket
- stopper porten, hvis den åbner eller lukker
- bevæger porten sig i modsat retning til det sidste færdige bevægelse, hvis den er delvis åben.

Hvis porten opdager en hindring eller afbrydes under åbningen, vil porten stoppe. Hvis garageportåbneren registrerer en forhindring under lukning, vil døren vende om. Hvis obstruktionen afbryder sensortråden, blinker lyset på garageportåbneren 10 gange. Du kan dog lukke porten, hvis du holder knappen på porten kontrol eller nøglefri adgang, indtil porten er helt lukket. De infrarøde fotoceller påvirker ikke åbningscyklussen.

## CYKLUS-TÆLLER, AKTIVERING OG LÆSEPROCEDURE:

1. Afbryd strømmen fra RJO for at komme ind i denne tilstand.
2. Tryk på Justering (A) og Lær knappen (L) og hold dem begge for genoprettende effekt.
3. Operatør "UP" piletast (U) LED blinker ÉN gang for hver tusind FULDE cyklusser afsluttet, så længe knappen Justering (A) og Lær (L) trykkes og holdes.

For eksempel, hvis RJO har lavet 8756 cyklusser, skal UP LED blinke 8 gange.

For at gentage læsningen skal du afbryde RJO fra strømmen og starte igen.

**Lyssender (med 78EV):** Gør det muligt at lære en sender til MyQ Remote via multifunktions vægkontrol.

At programmere senderen til MyQ Remote LED Light:

1. Tryk og hold LIGHT & LOCK knappen nede samtidig.
2. Mens du holder over begge knapper, skal du trykke og holde en af knapperne på senderen nede, indtil RJO WorkLight blinker en gang.
3. Når blinklyset til WorkLight blinker en gang, skal alle knapper slippes.

**Feriefunktion** (kræver 78EV vægkontrol). Bærbare fjernbetjening fungerer ikke, hvis denne funktion er aktiveret. Se instruktioner fra 78EV.

**Nøglefri adgang** (kræver 747EV trådløst tastatur): Indtast en 4-cifret kode efter eget valg for at betjene døren.

**Midlertidig adgang** (kræver 747EV trådløst tastatur): En midlertidig kode kan programmeres for at tillade begrænset adgang til garagen (efter tid eller antal åbninger).

**En-knaps lukkefunktion** (kræver 747EV trådløst tastatur): Uden adgangskoden kan døren lukkes fra enhver position (ikke åbnet).



## 24 Forbind din smartphone

Wi-Fi® Garageportåbner er kompatibel med op til 16 MyQ-aktiverede tilbehør. Op til 10 enheder kan parres til Wi-Fi garageportåbnerens interne gateway. Disse enheder kan styres med MyQ-appen. Disse enheder omfatter enhver kombination af MyQ garageportåbner, Wi-Fi garageportåbner, MyQ Light, MyQ gate operatører. En LiftMaster Internet Gateway (828EV) kan tilføjes, hvis du skal styre mere end 10 enheder ved hjælp af MyQ-appen. Op til 6 enheder kan parres til garageportåbneren selv (styret af garageportåbner). Disse enheder omfatter enhver kombination af MyQ-lys eller en garageport og portmonitor.

### Du skal bruge:

- Wi-Fi-aktiveret smartphone, tablet eller bærbar computer
- Bredbåndsforbindelse til internettet
- Wi-Fi-signal i garagen (2.4 Ghz, 802.11b/g/n er påkrævet)
- Adgangskode til dit hjemmenetværk (routerens hovedkonto, ikke gæste-netværk)
- MyQ serienummer placeret på garageportsåbneren
- Infrarøde fotoceller (valgfri)
- MyQ Remote LED Light (i leveringsomfang)

### SYNKRONISER DØRKONTROLLEN

For at synkronisere dørkontrollen 78EV til garageportåbneren, skal du trykke på trykknappen, indtil garageportåbneren aktiverer (det kan tage op til 3 tryk). Garageportåbneren skal løbe gennem en komplet cyklus, inden den aktiverer Wi-Fi-programmering .

### TILSLUT DIN GARAGEPORTÅBNER TIL DIT WI-FI NETVÆRK HJEMME

1. Tryk og slip den gule LÆR-knap (L) på garageportåbneren 3 gange. Garageportåbneren bipper en gang. Du har 20 minutter til at fuldføre forbindelsesprocessen.
2. På din mobilenhed skal du gå til Indstillinger> Wi-Fi og vælge netværket med prefixet "MyQ".
3. Start webbrowseren på din smartphone eller tablet. Indtast setup.myqdevice.com i browserens adresselinje. Følg skærmbilledet på skærmen for at forbinde garageportåbneren til dit Wi-Fi-netværk. MyQ serienummeret vises på skærmen. Skriv serienummeret i nedenstående felt.

4. Download MyQ appen fra App Store® eller Google Play™ store. Tilmeld dig din MyQ-konto og tilføj MyQ-serienummeret til din konto.

For at tilføje en anden Wi-Fi garageportåbner gentag trin 1-3. Tilføj det andet MyQ-serienummer til din konto i MyQ-appen.

BEMÆRKNINGER: MyQ Smartphone Control vil IKKE fungere, hvis garageportåbneren arbejder med batteristrøm. For at slette Wi-Fi-indstillingerne, se side 15.

En LED (A) På garageportåbneren vil indikere Wi-Fi status. Se nedenstående tabel

LED	DEFINITION
BLÅ	Off - Wi-Fi er ikke tændt. Blinkende - Garageportåbner er i Wi-Fi-læringstilstand. Fast - Mobil enhed tilsluttet garageportåbneren.
BLÅ OG GRØN	Blinker - Forsøger at oprette forbindelse til router.
GRØN	Blinker - Forsøger at oprette forbindelse til internetserveren. Fast - Wi-Fi er oprettet, og garageportåbneren er forbundet til internettet.

---

## **25** Programmer din åbner og fjernbetjening / Den trådløse trykknop // Trådløs tastatur (Valgfrit)

Aktiver kun åbneren, når porten er indenfor synsvidde, fri for obstruktion og korrekt justeret. Ingen skal gå ind eller forlade garagen, mens porten er i bevægelse. Lad ikke børn betjene trykknapper eller fjernbetjening. Lad ikke børn lege tæt ved porten. Din garageportåbner-modtager og en af knapperne fjernbetjeningen er forudprogrammeret. Hvis du køber ekstra fjernbetjening, skal garageportåbneren programmeres for at acceptere den nye fjernbetjeningskode.

### PROGRAMMER MODTAGEREN TIL AT TAGE YDERLIGERE FJERNBETJENING: ANVENDELSE AF DEN GULE RUNDE KNAK

1. Tryk og slip den gule runde knap (L) på åbneren. Lær-indikatorlampen lyser støt i 30 sekunder.
2. Inden for 30 sekunder skal du trykke og holde knappen nede på den håndholdte fjernbetjening, som du ønsker at betjene garageportalen til.
3. Slip knappen, når lyset på åbneren blinker en gang. Den har lært koden. Nu vil åbneren virke, når fjernbetjeningsknappen trykkes. Hvis du slipper fjernbetjeningsknappen, før blinklyset på blinklyset blinker, har åbneren ikke lært koden.

### NØGLEFRI ADGANG

4. Tryk og slip den gule runde knap (L) på åbneren. Lær-indikatorlampen lyser støt i 30 sekunder.
5. Indtast et 4-cifret personligt identifikationsnummer (PIN) efter eget valg på tastaturet.
6. Tryk derefter på ENTER-knappen.
7. Garageportåbnerens lys blinker (eller to klik vil blive hørt), når koden er programmeret. Gentag ovenstående trin til programmering af ekstra fjernbetjening eller nøglefri indgangsheder. Hvis programmeringen mislykkes, skal du programmere fjernbetjeningen ved hjælp af lær-knappen

### FOR AT SLETTE ALLE FJERNBETJENINGSKODER

For at deaktivere uønsket fjernbetjening, skal du først slette alle koder: Tryk og hold den gule runde knap på åbningen, indtil lær-indikator lampen slukker (ca. 10 sekunder). Alle tidligere koder er nu slettet. Omprogramér hver fjernbetjening eller nøglefri adgang, du vil bruge.

---

## **26** Programmer MyQ Remote LED-lampen

Fjernbetjeningslyset til din garageportåbner er allerede programmeret fra fabrikken til at fungere med din åbner. Eventuelle ekstra eller udskiftede fjernbetjeningslys skal programmeres.

### PROGRAMMER EN PORTÅBNER TIL MYQ REMOTE LED LIGHT:

1. Tryk på LÆR-knappen (L) på lyset, indtil den grønne LED lyser.
2. Tryk på LÆR-knappen (L) på portåbneren.
3. Koden er programmeret, når fjernbetjeningen blinker en gang.

### PROGRAMMER EN FJERNBETJENING TIL MYQ REMOTE LED LIGHT:

1. Tryk på LÆR-knappen (L) på lyset, indtil den grønne LED lyser.
2. Tryk på knappen på fjernbetjeningen, som du vil bruge til lyset.
3. Koden er programmeret, når fjernbetjeningen blinker en gang.

For at programmere lyset med andet tilbehør henvises til manualen for dit tilbehør.

### TILFØJ MYQ REMOTE LED LIGHT TIL MYQ KONTO

1. Tryk på LÆR-knappen (L) på lyset, indtil den grønne LED lyser.
2. Log ind på MyQ-appen, og tilføj MyQ Remote LED Light.

### FOR AT SLETTE AL PROGRAMMERING FRA MYQ REMOTE LED LIGHT

1. Tryk og hold LÆR-knappen nede (L) indtil LED'en slukker (6-10 sekunder). Al programmering er nu slettet.

---

## 27 For at slette hukommelsen

### SLET ALLE FJERNBETJENINGER OG NØGLEFRI ADGANGE

1. Tryk og hold på LÆR-knappen (L) på garageportåbneren, indtil lær-LED slukker (ca. 6 sekunder). Alle fjernbetjening og nøglefri adgangskoder er nu slettet. Omprogrammer alt tilbehør, du ønsker at bruge.

### SLET ALLE ENHEDER (INKLUSIVE MYQ AKTIVEREDE TILBEHØR)

1. Tryk og hold på LÆR-knappen (L) på garageportåbneren, indtil lær-LED slukker (ca. 6 sekunder).
2. Tryk øjeblikkeligt på LÆR-knappen, og hold den nede, indtil lær-LED'en slukker. Alle koder er nu slettet. Omprogrammer alt tilbehør, du ønsker at bruge.

### SLET WI-FI-NETVÆRKET FRA GARAGEPORTÅBNEREN

1. Tryk på den sorte justeringsknop (A) og hold den nede på garageportåbneren, indtil der høres 3 bip (Ca. 6 sekunder).

### SLET EN MYQ KONTO

Gå til mylifmaster.eu for at slette din MyQ-konto.

---

## 28 Vedligeholdelse af din garageportåbner

### VEDLIGEHOLDELSESKEMA

#### HVER MÅNED

- Betjen porten manuelt. Hvis det er ubalanceret eller binder, skal du ringe til en uddannet dørsystemtekniker.
- Kontroller, at porten åbner og lukker helt. Juster grænser om nødvendigt (se punkt 20 "Programmer rejsen").
- Gentag sikkerhedssvingningstesten. Foretag de nødvendige justeringer (se punkt 21 "Test sikkerhedssvingningssystemet").

#### HVERT ÅR

- Smør olie på port-roller, lejer og hængsler. Garageportåbneren kræver ikke yderligere smøring. Smør ikke dørsporene.

#### MYQ REMOTE LED LIGHT

- Tag stikket ud af stikket inden rengøring.
- Brug en let fugtet klud til rengøring.
- Brug IKKE flydende rengøringsmidler på linsen

---

## 29 Udskift batterierne på fjernbetjeningen

### Batteri på fjernbetjeningen:

Batterierne i fjernbetjeningen har et ekstremt lang levetid. Hvis transmissionsområdet falder, skal batterierne udskiftes. Batterier er ikke dækket af garantien.

#### Vær opmærksom på følgende instruktioner for batteriet:

Batterier bør ikke behandles som husholdningsaffald. Alle forbrugere skal ved lov lovligt bortskaffe batterier på de udpegede indsamlingssteder. Genoplad aldrig batterier, der ikke er beregnet til genopladning.

#### Fare for eksplosion!

Hold batterier væk fra børn, kortslut dem ikke eller skil dem ad. Se straks lægen, hvis et batteri bliver slugt. Hvis det er nødvendigt, rens kontakter på batteri og enheder, før du putter dem i. Fjern straks brugte batterier fra apparatet!

#### Øget risiko for lækage!

Udsæt aldrig batterier for meget varme som solskin, ild eller lignende!

Der er øget risiko for lækage!

Undgå kontakt med hud, øjne og slimhinder. Skyl de dele, der er berørt af batterisyre, med rigeligt koldt vand og kontakt læge med det samme. Brug kun batterier af samme type. Fjern batterierne, hvis enheden ikke bruges i lang tid.

#### Udskiftning af batteri:

For at udskifte batteriet skal du dreje fjernbetjeningen og åbne æsken med en skruetrækker. Løft dæksel og løft kontrolkort nedenunder. Skub batteriet til en side og fjern. Se polariteten af batteriet! Saml igen i omvendt rækkefølge.

#### OBS!

Fare for eksplosion, hvis batteriet udskiftes ukorrekt. Udskiftning kun efter identisk eller tilsvarende type (CR2032) 3V.

## 30 Bortskaffelse

Emballagen skal bortskaffes i de lokale genanvendelige beholdere. I henhold til det europæiske direktiv 2002/96/EF om affald af elektrisk udstyr skal denne enhed bortskaffes efter brug for at sikre genbrug af de anvendte materialer.



Gamle akkumulatører og batterier må ikke bortskaffes i husholdningsaffaldet, da de indeholder forurenende stoffer og skal bortskaffes korrekt i kommunale indsamlingssteder eller i containere fra den forhandler, der leverer. Landespecifikke regler skal overholdes. Komponenterne skal bortskaffes korrekt hos et offentligt firma, der er specialiseret i bortskaffelse af affald. De relevante lokale og landespecifikke regler skal overholdes. Alle nedlukningsdrevne komponenter må ikke bortskaffes i husholdningsaffaldet.

Den kompetente myndighed (by) eller dets bortskaffelsesselskab informerer dig om mulighederne for denne bortskaffelse.

## 31 Diagnostisk Diagram

Din garageportåbner er programmeret med selvdiagnostiske funktioner. UP- og DOWN-pile på garageportåbneren blinker diagnosekoderne.

DIAGNOSEKODE:		SYMPTOM	LØSNING
Pil op Blink(er)	Pil ned Blink(er)		
1	1	Garageportåbneren lukker ikke og lyset blinker.	Hvis infrarøde fotoceller er installeret, kan det være de ikke er tilsluttet, eller at ledninger er blevet skåret over. Undersøg sensorkablerne for brud eller skåret ledning.
1	2	Garageportåbneren lukker ikke og lyset blinker.	Der er en kort eller omvendt ledning til de infrarøde fotoceller. Inspicer ledning til fotoceller på alle hæft punkter og tilslutningspunkter og udskift ledning eller korriger efter behov.
1	3	Portkontrollen fungerer ikke.	Ledningerne til portkontrollen er kortsluttet, eller portkontrollen er defekt. Inspicer ledning til portkontrollen på alle hæft punkter og tilslutningspunkter og udskift ledning eller korriger efter behov
1	4	Garageportåbneren lukker ikke og lyset blinker.	Hvis infrarøde fotoceller er installeret, er de misjusteret eller midlertidigt blokeret. Juster begge sensorer for at sikre, at begge lysdioder er stabile og ikke flimrer. Sørg for, at der ikke hænger noget eller er monteret noget på døren, der ville afbryde sensorens bane under lukning
1	5	Porten bevæger sig 15-20 cm stopper eller vender.	Åben og luk porten manuelt. Kontroller for om den binder eller forhindrenger, såsom en brudt fjeder eller portlås, korriger efter behov. Kontroller ledningsforbindelserne på rejsemodulet og på logikkortet. Udskift rejsemodulet om nødvendigt.
1	5	Ingen bevægelse, kun et enkelt klik.	Åben og luk porten manuelt. Kontroller for om den binder eller forhindrenger, såsom en brudt fjeder eller portlås, korriger efter behov. Udskift logikkort om nødvendigt.
1	5	Åbneren summer i 1-2 sekunder ingen bevægelse	Åben og luk porten manuelt. Kontroller for om den binder eller forhindrenger, såsom en brudt fjeder eller portlås, korriger efter behov. Udskift motor om nødvendigt.
1	6	Door coast after it has come to a complete stop.	Programmer rejse til friløbsposition eller få porten afbalanceret af en uddannet tekniker
2	1-5	No movement or sound.	Udskift logikkort
3	1	The garage door opener moves slightly, then stops.	Aktiver garageportåbneren igen. Hvis problemet fortsætter, skal du udskifte logikkortet.
3	3	The battery status LED is constantly flashing green.	Batteribackup opladningskredsfejl, udskift logikkort.
3	5	The garage door opener will not close or door reverses during travel.	Hvis der allerede var installeret to kabelspændingsmonitører, og en har været fjernet, træk stikket ud og tænd åbneren tre gange for at genmontere monitøren til åbneren • Kontroller mulige porthindrenger og fjern dem. • Kontroller, at kabelspændingsmonitøren er korrekt forbundet med åbneren. • Udskift kabelspændingsmonitøren.

DIAGNOSEKODE:		SYMPTOM	LØSNING
Pil op Blink(er)	Pil ned Blink(er)		
4	1-4	Porten bevæger sig, stopper og vender.	Åben og luk porten manuelt. Kontroller for om den binder eller forhindre-er, såsom en brudt fjeder eller portlås, korriger efter behov. Hvis porten binder eller sidder fast, skal du kontakte en uddannet dørsystemtekniker. Hvis porten binder eller sidder fast, prøv at omprogrammere rejsen.
4	5	Åbner kører ca.15-20 cm, stopper og vender.	Kommunikationsfejl til rejsem modul. Kontroller rejsemodulets tilslutninger, udskift modul om nødvendigt.
4	6	Garageportåbneren lukker ikke og lyset blinker.	Hvis infrarøde fotoceller er misjusteret eller midlertidigt blokeret. Juster <b>begge sensorer for at sikre, at begge lysdioder er stabile og ikke flimrer.</b> Sørg for, at der ikke hænger noget eller er monteret noget på døren, der ville afbryde sensorens bane under lukning.
5	5	Døren lukkes ikke, når du bruger Timer-to-Close eller MyQ Smartphone Control.	MyQ Remote LED Light skal installeres for at bruge TTC eller få MyQ til at styre døren. Tilslut MyQ Remote LED Light og sørg for, at den er programmeret til garageportåbneren.

## 32 Fejlfinding

### Garageportåbneren virker ikke fra hverken dørstyringen eller fjernbetjeningen:

- Har garageportåbneren elektrisk strøm? Sæt en lampe i stikkontakten. Hvis den ikke lyser, skal du kontrollere sikringsboksen eller afbryderen. (Nogle stikkontakter styres af en vægkontakt.)
- Har du deaktiveret alle portlåse? Læs installationsadvarslerne på side 5.
- Er ledningsforbindelserne korrekte?
- Er der en opbygning af is eller sne under porten? Porten kan blive frosset fast til jorden. Fjern eventuelle begrænsninger.
- Garageportsfjederen kan være knækket. Få den skiftet (se punkt 3 Planlægning).

### Portåbneren arbejder fra enkeltknappens kontrolstation, men ikke fra en fjernbetjening:

- Omprogrammer fjernbetjeningen og udskift batteriet om nødvendigt. Gentag med alle fjernbetjeninge.

### Porten åbner og lukker af sig selv:

- Sørg for at alle fjernbetjeningsknapper er slukket.
- Fjern telefonledningen fra kontrolstationerne på en enkelt knap og betjen kun fra fjernbetjeningen. Hvis dette løser problemet, er kontrolknappen til enkeltknappen defekt, eller der er en intermitterende kortslutning i ledningen. Udskift kontrolstationen.
- Slet hukommelsen og omprogrammer alle fjernbetjeninge (se instruktionerne med fjernbetjeningen eller besøg LiftMaster.eu).

### Min fjernbetjening aktiverer ikke garageporten:

- Bekræft, at låsefunktionen ikke er aktiveret på portkontrollen.
- Omprogrammer fjernbetjeningen.
- Hvis fjernbetjeningen stadig ikke aktiverer porten, skal du kontrollere diagnosekoderne for at sikre, at garageportåbneren fungerer korrekt.

### Fjernbetjeningen har kort rækkevidde:

- Skift placeringen af fjernbetjeningen i din bil.
- Nogle installationer kan have kortere rækkevidde på grund af en metaldør, foliebelagt isolering eller metalgaragepanel.

### Porten åbner ikke helt:

- Kontroller strømmen til portlåsen.
- Er der noget der er i vejen for porten? Er det ude af balance, eller er fjedrene knækket? Fjern hindringen eller reparer porten.

### Porten åbner, men lukker ikke:

- Kontroller, at kabelspændingsmonitoren er korrekt installeret. Hvis en anden kabelspændingsmonitor er fjernet, skal du følge instruktionerne for at genoplære en enkelt kabelspændingsmonitor (se punkt 14).
- De infrarøde fotoceller skal tilsluttes og justeres korrekt, før portåbneren bevæger sig i nedadgående retning. Hvis du er i stand til at lukke porten ved konstant tryk, skal du kontrollere, at de infrarøde fotoceller er korrekt installeret, justeret og fri for forhindre-er.
- Hvis garageportåbnerens lampe blinker, skal du kontrollere de infrarøde fotoceller.
- Hvis garageportåbnerens lampe ikke blinker, og det er en ny installation (se punkt 14). For en eksisterende installation, se nedenfor. Gentag sikkerhedsvingningstesten, efter at justeringen er afsluttet.

**Porten vender om uden nogen grund og garageportåbnerens lampe blinker ikke:**

- Kontrollér, at kabelspændingsmonitoren er korrekt installeret. Hvis en af kabelspændingsmonitorerne fjernes, skal du tage begge monitorer ud af åbneren. Tilslut derefter monitoren, du ønsker at bruge, og tag trækstikket ud og sæt den i tre gange for at genoplæse monitoren til åbneren. Den leverede 1k modstand er kun til fejlfinding ved opsætning af CTM. I henhold til EN12453 skal kabelspændingsmonitoren være installeret for korrekt påvisning af kabelsvaghed.
  - Er der noget der er i vejen for porten? Træk i nødhåndtaget. Betjen porten manuelt. Hvis det er ubalanceret eller binder, skal du ringe til en uddannet dørsystemtekniker.
  - Fjern enhver is eller sne fra garagens gulvområdet, hvor porten lukker.
  - Gennemgå punkt 20.
- Gentag sikkerhedsvingningstesten efter justeringer.

**Min port lukker ikke og lyset blinker:**

De infrarøde fotoceller skal tilsluttes og justeres korrekt, før garageportåbneren bevæger sig i nedadgående retning.

- Kontrollér, at de infrarøde fotoceller er korrekt installeret, justeret og fri for forhindringer.

**Garageportåbneren overanstrenger sig for at betjene porten.**

- Porten kan være ude af balance eller fjedrene kan være knækket. Luk porten og brug nødhåndtaget til at afbryde porten. Åben og luk porten manuelt. En korrekt afbalanceret port vil forblive i et hvilket som helst rejsesål, mens den udelukkende støttes af dens fjedre. Hvis den ikke gør det, skal du afbryde garageportåbneren og ringe til en uddannet dørsystemtekniker.

**Garageportåbnerens motor summer kortvarigt, så fungerer den ikke:**

- Garageportsfjederen kan være knækket. Se ovenfor.
- Hvis problemet opstår ved første betjening af garageportåbneren, kan porten være låst. Deaktiver strømmen til portlåsen.

**Garageportåbneren vil ikke fungere som følge af strømsvigt:**

- Deaktiver strømmen til portlåsen manuelt.
- Brug nødhåndtaget til at afbryde porten. Porten kan åbnes og lukkes manuelt. Når strømmen gendannes, skal du trække den manuelle frigivelse en gang til.
- Deaktiver eventuelle portlåse. Brug nødhåndtaget til at afbryde porten. Døren kan åbnes og lukkes manuelt.

**Port taber grænser:**

- Kraven er ikke fastspændt sikkert. Stram kraven og omprogrammer grænser (se punkt 20).

**Garageportåbneren bevæger sig, når porten er i drift:**

- Nogle få bevægelser er normale for dette produkt. Hvis det er for stort, vil kraven slides for tidligt.
- Kontrollér, for at sikre at torsionsstangen ikke bevæger sig til venstre/højre.
- Kontrollér, for at sikre at torsionsstangen ikke synligt bevæger sig op og ned, når den roterer.
- Kontrollér, at åbneren er monteret i en ret vinkel til mellemakslen. Hvis ikke, flyt placeringen af monteringsbølgen.

**Det automatiske portås-stik passer ikke til portåbnerstikket:**

- Ældre model 24V portlåse er uforenelige. Brug automatisk portlås model 841EU, se Tilbehør-side

**Automatisk garageportlås aktiveres ikke, når garageporten åbner eller lukker:**

- I batteribackup-tilstand, læses den automatiske garageportlås, når garageporten åbnes, og forbliver deaktiveret, indtil strømmen er genoprettet.

**Portåbneren bipper:**

- Indikerer ubevidst lukning. Åbneren er blevet aktiveret af MyQ App eller Garage og Gate Monitor.
- Et solidt orange LED med bip, der lyder ca. hvert andet sekund, indikerer, at garageportåbneren arbejder med batteristrøm.
- Et blinkende orange LED med bip, der lyder hvert 30 sekund, angiver, at batteriet er lavt.
- Et solidt rødt LED med bip, der lyder hvert 30 sekund, indikerer at 12V batteriet ikke længere holder en opladning og skal udskiftes.

**Garageporten bipper og den røde LED blinker:**

Batteriladningen er lav, eller batteriet er dødt.

- Udskift batteriet.

**MyQ Smartphone Control, trådløse MyQ-enheder og Timer-To-Close fungerer ikke:**

- Når du er i batteribackup-tilstand, vil MyQ Smartphone Control, trådløse MyQ-enheder og Timer-To-Close blive deaktiveret.
- MyQ Remote LED Light skal installeres for at bruge Timer-to-Close eller MyQ Smartphone Control af døren. Tilslut MyQ Remote LED Light og sørg for, at den er programmeret til garageportåbneren. Det kan tage op til 5 minutter at aktivere Timer-to-Close og MyQ Smartphone Control.

### 33 Ekstra tilbehør

Brug altid LiftMaster tilbehør.

Eksterne produkter kan forårsage funktionsfejl.

1.	TX4UNIF	4-kanals universel fjernbetjening
2.	TX4EVS	4-kanals fjernbetjening
3.	TX4UNI/S	4-kanals universel fjernbetjening
4.	128EV	Trådløs vægkontrol 2-kanal
5.	747EV	Tastatur
6.	78EV	Kablet multifunktionel vægkontrol
7.	FLA-1LED	Blinkende lamper
8.	772E	Fotoceller
9.	100034	Nøgleafbryder (indbygget)
10.	100041	Nøgleafbryder (udvendig bygget)
11.	829EV	Garageportåbner
12.	485EU	Batteribackup
13.	827EV	MyQ Remote LED Light:
14.	041A9264	Kabelspændingsmonitor
15.	841EU	Automatisk portlås

### 34 Teknisk data

Indgangsspænding	230-240 VAC, 50 Hz
Maks. moment	36 Nm - AC + Batteri 29 Nm - AC
Nominel moment	10 Nm
Strøm	150 W
Standby strøm	2,6 W
Motortype	DC gearmotor permanent smøring
Støjniveau	57dB
Rejse-spænd	21rpm (ned), 36rpm (op)
Personlig sikkerhed	Trykknop og automatisk stop i nedadgående retning. Trykknop og automatisk stop i opadgående retning.
Elektronisk	Automatisk kraftjustering
Elektrisk	Transformator overbelastningsbeskytter og lavspænding trykknop ledninger.
Begrænsningsenhed	Optisk RPM/Paspunkt-detektor.
Begrænsningsjustering	Elektronisk, semi og fuldautomatisk.
Start kredsløb	Lavspændingsknappen.
Maks. port højde	3 m
Maks. port bredde	5,5 m
Maks. port område	16,5 m <sup>2</sup>
Maks. port vægt	130 kg
Hængende vægt	11 kg
Modtagerhukommelsesregister	64
Driftsfrekvens	433 / 868 MHz, 2,4 GHz

## 35 Automatisk garageportsåbner Sikkerheds- og vedligeholdelsesvejledning

### GARAGEPORTÅBNER SIKKERHED - EN AUTOMATISK BESLUTNING

En garageport er det største bevægelige objekt i hjemmet. En ukorrekt justeret garageport og åbner kan udøve dødelig kraft, når porten lukker - hvilket kan føre til indespærring af børn eller voksne og efterfølgende skade eller død.

Korrekt installation, drift, vedligeholdelse og afprøvning af garageport og automatisk åbner er nødvendig for at give et sikkert, problemfrit system. Lige gyldig drift eller tillader man børn at lege med eller bruge garageportåbner kontrollerne er også farlige situationer, der kan føre til tragiske resultater. Et par enkle forholdsregler kan beskytte din familie og venner mod potentiel skade. Læs sikkerheds- og vedligeholdelsestips i denne brochure omhyggeligt, og behold den som reference. Kontroller driften af din garageport og åbner for at sikre, at de virker på en sikker og problemfri måde. Sørg for at læse alle vigtige sikkerhedsoplysninger, der findes i manualen til garageportåbneren, da det giver flere detaljer og sikkerhedsmæssige overvejelser end det, der kan leveres med denne brochure

Garageportsåbnerne er ikke legetøj

Diskuter garageport og åbnerens sikkerhed med dine børn. Forklar faren for at blive fanget under porten.



**Hold dig væk fra en port i bevægelse.**



**Hold sendere og fjernbetjeninger utilgængelige for børn.** Lad ikke børn lege med eller bruge sendere eller andre fjernbetjeningsenheder.



**Den vægmonterede trykknop bør være utilgængelig for børn,** mindst 5 meter fra nærmeste stående overflade og væk fra alle bevægelige dele. Monter og brug knappen, hvor du tydeligt kan se den lukkende garageport.



**Hav porten indenfor synsvidde, indtil den lukker helt,** når du bruger den vægmonterede trykknop eller sender.



## 36 Rutinemæssig vedligeholdelse kan forhindre tragedier

Gør månedlig inspektion og test af din garageport og åbningssystem en del af din regelmæssige rutine. Gennemgå din brugervejledning til både port og portåbner. Hvis du ikke har brugervejledningen, skal du kontakte producenten og anmode om en kopi til din specifikke model(er). Kig efter åbnerens modelnummer på bagsiden af strømforsyningen



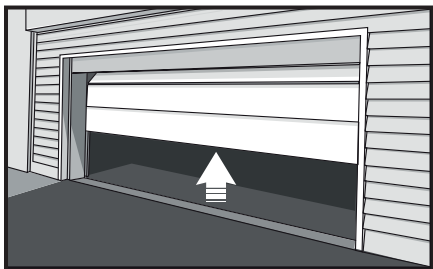
**ADVARSEL – Fjedrene er under høj spænding.  
Kun kvalificerede personer bør tilpasse dem.**

### Kontroller visuelt porten og installationen visuelt:



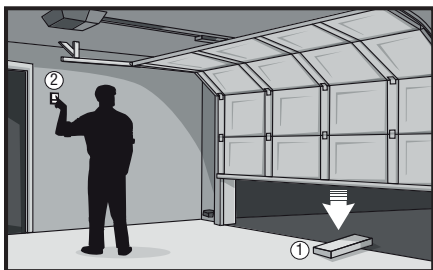
- Start med døren i lukket position, brug den manuelle frakobling på åbningen for at afbryde porten.
- Se efter tegn på slidtage eller skader på hængsler, ruller, fjedre og portpaneler.
- Disse dele kan kræve periodisk smøring. Se brugervejledningen til den foreslåede vedligeholdelse.
- Hvis der er tegn på skade, skal du kontakte en uddannet dørsystemtekniker for at få hjælp.
- Bekræft fotolinserne er ikke højere end 6" fra garagegulvet.

### Test porten for korrekt drift:



- Åbn og luk porten manuelt ved hjælp af håndtag eller passende gribe punkter.
- Porten skal bevæge sig frit og uden vanskelighed.
- Porten skal balancere og forblive delvist åben 3-4 meter over gulvet.
- Hvis du opdager tegn på ukorrekt drift, skal du kontakte en uddannet dørsystemtekniker for at få hjælp.

### Test åbnerens sikkerhedsfunktioner:



- Tilslut åbneren til porten igen ved hjælp af manuel frakobling, og åbn porten.
- Placer et 40 mm højt bræt ved foden af porten (1) og prøv at lukke den (2). Porten skal stoppe, når den kommer i kontakt med brættet og derefter ændre retning.
- Bloker fotocelle sensoren ved at vifte en genstand foran sensoren og forsøg at lukke porten. Porten skal ikke lukke, medmindre den vægmonterede tryknap holdes manuelt under drift.
- Hvis åbneren ikke fungerer som beskrevet, skal du kontakte en uddannet dørsystemtekniker for at få hjælp.

**Merk:**

Den opprinnelige installasjons- og bruksanvisningen ble utarbeidet på engelsk.  
Et hvert annet tilgjengelig språk er en oversettelse av den opprinnelige engelske versjonen.

<b>1</b>	Generelle sikkerhetsretningslinjer .....	2
<b>2</b>	Tiltent bruk .....	3
<b>3</b>	Planlegging av bruk av porten .....	3
<b>4</b>	Planlegging for bruk av MyQ .....	3
<b>5</b>	Forberedelse av garasjeporten.....	4
<b>6</b>	Nødvendig verktøy .....	4
<b>7</b>	Innhold i kartongen .....	4
<b>8</b>	Nødvendig tilbehør .....	4
<b>9</b>	Fest kragen til garasjeportåpneren .....	5
<b>10</b>	Fest monteringsbraketten til garasjeportåpneren .....	5
<b>11</b>	Posisjoner og monter garasjeportåpneren .....	5
<b>12</b>	Sett på nødutløsningstauet og håndtaket.....	5
<b>13</b>	Installer den automatiske portlåsen.....	6
<b>14</b>	Fest kabelspenningssensor (041A9264). (nødvendig tilbehør).....	6
<b>15</b>	Installering av fjernstyrt LED-lampe for MyQ (utformet kun for tørre områder) .....	7
<b>16</b>	Elektrisk tilkobling .....	7
<b>17</b>	Installasjon av fotoceller .....	7
<b>18</b>	Tilkobling av strøm .....	8
<b>19</b>	Installasjon av batteri-backup (Valgfritt tilbehør).....	8
<b>20</b>	Programmering av bevegelsen.....	9
<b>21</b>	Testing av systemet for sikkerhetsreversering.....	9
<b>22</b>	Manuell åpning av porten .....	10
<b>23</b>	Bruk av garasjeportåpneren .....	10
<b>24</b>	Tilkobling til smarttelefon .....	12
<b>25</b>	Programmer åpneren og fjernkontrollen / Den trådløse trykknappen // Det trådløse tastaturet (Tilbehør).....	13
<b>26</b>	Programmering av den fjernstyrte LED-lampen for MyQ .....	13
<b>27</b>	Sletting av minne .....	14
<b>28</b>	Vedlikehold av garasjeportåpneren .....	14
<b>29</b>	Utskifting av batterier på fjernkontrollen .....	14
<b>30</b>	Avhending.....	15
<b>31</b>	Diagnostisk Diagram .....	15
<b>32</b>	Feilsøking .....	16
<b>33</b>	Valgfritt tilbehør .....	18
<b>34</b>	Tekniske data.....	18
<b>35</b>	Sikkerhets- og vedlikeholdsguide for automatisk garasjeportåpner .....	19
<b>36</b>	Rutinevedlikehold kan forhindre tragedier .....	20

# ADVARSEL!

## BEGYNN MED Å LESE DISSE VIKTIGE SIKKERHETSINSTRUKSJONENE!

### 1 Generelle sikkerhetsretningslinjer

Før du begynner installasjonen:

Vennligst les bruksanvisningen og spesielt forholdsreglene. Ta vare på manualen for fremtidige referanser og lever den videre til en mulig neste eier. Følgende symboler er plassert foran instruksjonene for å forhindre personskader eller skader på eiendom. Les nøye gjennom disse instruksjonene.



#### FORSIKTIG

Personskade eller skade på eiendom



#### FORSIKTIG

Fare på grunn av elektrisk strøm eller spenning

#### Viktig sikkerhetsinformasjon

Det automatiske portåpningssystemet har selvfølgelig blitt testet og designet for sikker drift, men sikkerheten kan kun garanteres dersom sikkerhetsinstruksjonene som er nevnt nedenfor følges nøye under installasjon og drift. Dette produktet er kun beregnet for installasjon av opplærte garasjeportteknikere. Dette produktet kan kreve justeringer av portfjærer og / eller spor-konfigurasjoner. Dette produktet er ikke beregnet til bruk på spor med lav hodehøyde med utvendig oppsamlingstrømmel eller garasjeporter som benytter forlengelsesfjærer.

- Installatøren (spesialisten) må lese og forstå disse instruksjonene før arbeidet påbegynnes. Før første gangs bruk og minst én gang årlig må en spesialist inspisere tilstanden for alle motordrevne vinduer, porter og innganger. En spesialist er en person som på grunnlag av sin tekniske opplæring og erfaring har tilstrekkelig kunnskap innen motordrevne vinduer, porter og porter, og er i tillegg kjent med relevante statlige yrkes-sikkerhetsforskrifter og allment aksepterte teknologiske regler i en slik grad at personen er også i stand til å vurdere sikker drift av motordrevne vinduer, porter og innganger.
- Personen som installerer må kjenne til følgende standarder: EN 13241, EN 12604, EN 12453. Den utdannede spesialisten / eksperten må instruere brukeren i følgende:
  - Bruk av motoren og dens færer
  - Håndteringen av den manuelle mekanismen for nødopplasing
  - Det vanlige vedlikehold, inspeksjon og behandling, samt oppgavene som følger med dette
  - Brukeren må instruere andre brukere om driften av motoren. Etter ferdig installasjon av motoren må personen som er ansvarlig for installasjonen av motoren i samsvar med maskindirektivet 2006/42 / EF, utstede EF-samsvarserklæringen for portsystemet. CE-merket og et typeskilt må festes til portsystemet. Dette er også obligatorisk ved ettermontering på en manuelt betjent port. Videre må en overleveringsprotokoll og en inspeksjonsbok fylles ut.
- Porten må være i balanse. Porter som ikke beveger seg eller sitter fast må repareres. I en ubalansert tilstand er garasjeporter, portfjærer, kabler, skiver, braketter og skinner utsatt for ekstreme spenninger, noe som kan føre til alvorlige skader. Ikke prøv å løse, flytte eller justere porten, men ta kontakt med et servicecenter eller en fagmann.
- Ikke bruk smykker, klokker eller løse klær under installasjon eller vedlikehold av en portåpner.
- For å unngå alvorlig personskade på grunn av sammenfloking må alle kabler og kjeder som er koblet til porten fjernes før portåpneren installeres.
- Under installasjon og elektrisk tilkobling må lokale bygge- og el-forskrifter overholdes.
- Installasjon av kabelspenningssensor er påkrevet i henhold til EN12453.
- For å unngå skade på svært lette porter (for eksempel glassfiber-, aluminiums eller stålpoter), bør en passende forsterkning inkluderes. Ta kontakt med produsenten av porten før du gjør dette.
- Det automatiske sikkerhetssystemet for reversering må gjennomgå en test. Ved kontakt med et 40 mm høyt hinder på gulvet, MÅ garasjeporten gå tilbake. Dersom ikke portåpneren er riktig justert kan det føre til alvorlige personskader når garasjeporten lukker seg. Gjenta denne testen én gang per måned og gjennomfør eventuelle forandringer som behøves.
- Dette systemet kan ikke installeres i fuktige eller våte områder.
- Under driften må porten under ingen omstendigheter hindre offentlige passasjerer.
- For å minne alle brukere om sikker drift, skal det i tillegg til den opplyste veggbryteren det plasseres opp et advarselsskilt for å beskytte barn. Advarselssymbolene om risikoen for fastklemming skal plasseres på tydelig synlige steder.
- Barn bør overvåkes for å sikre at de ikke leker med enheten. Ikke la barn bruke trykknapp(er) eller fjernkontroll(er). Ikke la barn leke i nærheten av porten.
- Denne enheten er ikke beregnet til bruk av personer (inkludert barn) med begrenset fysisk, sensorisk eller mentale evner eller som har mangel på erfaring og / eller kunnskap, med mindre de er under oppsyn av en person som er ansvarlig for deres sikkerhet eller har fått instruksjoner om hvordan man bruker enheten.
- Alle hindringer / låser er deaktiverte for å unngå skade på porten.
- Om nødvendig MÅ det installerte kontrollutstyret monteres innenfor portens synsfelt og utenfor barns rekkevidde. Barn bør ikke ha lov til å betjene knappene eller fjernkontrollene. Misbruk av portåpneren kan føre til alvorlige personskader.
- Portåpneren skal KUN brukes hvis brukeren kan se hele portområdet og er trygg på at det er fritt for hindringer og portåpneren er riktig justert. Ikke gå igjennom porten mens den beveger seg. Barn må ikke leke i nærheten til porten.
- Bruk den manuelle utløseren kun for å skille porten fra motoren, og – hvis mulig – BARE når porten er lukket. Bruk ikke det røde håndtaket for å skyve opp porten eller trekke den ned.
- For enhver reparasjon eller fjerning av deksler skal portåpneren kobles fra strømforsyningen. Reparasjoner og elektriske installasjoner må kun utføres av en autorisert elektriker.

- Dette produktet har en transformator med en spesiell strømledning. Ved skade må den erstattes med en original transformator gjennom en kvalifisert tekniker.
- Bruk av nødutløseren kan føre til ukontrollerte bevegelser av porten, dersom fjærene er svake eller ødelagte eller porten ikke er i ubalanse.
- Monter utløserhåndtaket for nødutløseren i en høyde under 1,80 m.
- Timer-to-Close-funksjonen (TTC) , MyQ Smartphone Control-appen og MyQ Garage Door og Gate Monitor er eksempler på uovervåket lukking og skal bare brukes med seksjonsporter. Enhver enhet eller funksjon som gjør det mulig å lukke porten uten å være i portens synsfelt betraktes som uovervåket lukking. Timer-to-Close-funksjonen (TTC), MyQ Smartphone Control, og enhver annen MyQ-enhet kan KUN brukes med seksjonsporter.
- Drivverket må ikke brukes dersom garasje døren har en innebygget dør.

Ta vare på disse instruksjonene.

## 2 Tiltentk bruk

The device is intended for the opening and closing of doors that use a torsion bar and springs (please refer to point 3 "Planning"). The device is not meant for commercial use but solely for the use in private garage doors that are appropriate for a single household. Any improper use of the drive could increase the risk of accidents. The manufacturer assumes no liability for such usage. Only the **original** accessories of LiftMaster may be connected to the drive. With this drive, automated gates must comply with the currently valid international and country-specific and local standards, guidelines and regulations (EN 13241, EN 12453 and EN 12604).

## 3 Planlegging av bruk av porten

Undersøk området for å se om noen av betingelsene nedenfor gjelder for din installasjon. Avhengig av kravene dine kan det være nødvendig med tilleggsmaterialer.

**DENNE PORTÅPNEREN ER KOMPATIBEL MED:**

- Porter som bruker torsjonsstang og fjærer. Torsjonsstangen må ha en diameter på 25,4 mm. IKKE kompatibel med omvendte tromler.
- 80-120 mm tromler, kan ikke brukes på koniske tromler over 120 mm.
- Standard løfteseksjonsporter opptil 3 m høye.
- Porter opp til 5,5 m bredde.
- Porter opp til 16.5 m<sup>2</sup>.

***MERK:** Inspiser torsjonsstangen mens porten er hevet og senket. Det er viktig at det ikke er en merkbar bevegelse opp og ned eller til venstre og høyre. Hvis bevegelsen ikke blir korrigert, vil garasjeportåpnerens levetid bli kraftig redusert.*

Undersøk eller inspiser foreslåtte installasjonsområdet. Portåpneren kan monteres på venstre eller høyre side av porten. Velg den siden som oppfyller kravene nedenfor.

- Må være minst 6,4 cm klaring mellom veggen og midten på torsjonsstangen.
- Må være minst 7,6 cm klaring mellom taket og midten på torsjonsstangen.
- Må være minst 21,6 cm klaring mellom sideveggen (eller en hindring) og midten på torsjonsstangen.
- Torsjonsstangen må strekke seg minst 3,81 cm forbi lageret. Dette kan variere avhengig av installasjonskravene dine.
- En elektrisk stikkontakt er nødvendig innenfor 1,83 m av installasjonsområdet. Kontakt en kvalifisert elektriker hvis strømmuttaket ikke finnes.

## 4 Planlegging for bruk av MyQ

Driften har muligheten til å bli kontrollert ved MyQ - fotoceller må da monteres. Overvåk og kontroller garasjeporten din fra hvor som helst med MyQ-appen.

**FØR DU STARTER:**

Du vil trenge:

- Wi-Fi-aktivert smarttelefon, nettbrett eller bærbar PC
- Bredbåndsforbindelse til Internett
- Wi-Fi-signal i garasjen (2.4 Ghz, 802.11b/g/n påkrevet)
- Passord for hjemmenettverket ditt (ruterens hovedkonto, ikke gjestenettverk)

**TEST WI-FI-SIGNALET'S STYRKE**

Sørg for at mobilenheten din er koblet til Wi-Fi-nettverket. Hold den mobile enheten din på stedet der garasjeportåpneren vil bli montert, og kontroller Wi-Fi-signalstyrken.

**Wi-Fi-signalet er sterkt.**

Garasjeport- åpneren vil koble til Wi-Fi-nettverket.

**Wi-Fi-signalet er svakt.**

Garasjeportåpneren kan koble til Wi-Fi-nettverket. Hvis ikke prøv ett av alternativene under for å forbedre Wi-Fi-signalet:

**Intet Wi-Fi-signal.**

Garasjeportåpneren vil ikke være i stand til å koble seg til Wi-Fi-nettverket. Prøv ett av alternativene under for

**å forbedre Wi-Fi-signalet:**

- Flytt ruterer din nærmere garasjeportåpneren for å minimere interferens fra vegger og andre gjenstande
- Kjøp en Wi-Fi-rekkeviddeforlenger

## 5 Forberedelse av garasjeporten



**FORSIGTIK:** Tilkall ALLTID en utdannet portsystemtekniker dersom garasjeporten ikke stopper opp, hakker eller er ute av balanse. En ubalansert garasjeport kan IKKE reversere når det kreves. Prøv ALDRI å løse, flytte på eller justere garasjeport, portfjærer, kabler, trinser, braketter eller festeelementer for disse, som alle er under EKSTREME spenninger. Deaktiver ALLE låser og fjern ALLE tau som er koblet til garasjeporten før du installerer og bruker garasjeportåpneren for å unngå sammenfloking. Dette åpningssystemet er utstyrt med en ubetjent bruksfunksjon. Porten kan bevege seg uventet. INGEN PERSONER MÅ KRYSSBEVEGELSESMÅRÅDET AV EN PORT.

### FØR DU STARTER:

- Åpne alle låser.
- Fjern eventuelle tau som måtte være koblet til garasjeporten.

Utfør følgende test for å sikre at garasjeporten er balansert og ikke hakker eller stopper opp:

- Løft porten halvveis opp. Frigjør porten. Dersom den er i balanse bør den forbli på plass, kun støttet av fjærene.
- Hev og senk porten og sjekk om den stopper opp eller hakker.
- Porter som veier over 130 kg skal IKKE gå raskt opp eller ned.

Kontakt en opplært tekniker i portsystemer dersom porten stopper opp, hakker eller er ubalansert.

## 6 Nødvendig verktøy

Under montering, installasjon og justering av garasjeportåpneren vil man trenge følgende håndverktøy, som vist under.

- |                   |   |
|-------------------|---|
| 1. Gardintrapp    | 7. Skrutrekker                            |
| 2. Drill          | 8. Vater                                  |
| 3. MÅLEBÅND       | 9. Hammer med klo                         |
| 4. Ledningskutter | 10. Piper og skiftenøkkel med forlengelse |
| 5. Tang           | 11. Justerbar skiftenøkkel                |
| 6. Bor            | 12. Blyant                                |

## 7 Innhold i kartongen

Kontroller emballasjematerialet nøye hvis noe mangler.

GARASJEPORTÅPNER		POSE MED FESTELEMENTER	
1. Garasjeportåpner, LM3800W	1x	11. Skruer 15 mm	2x
2. Automatisk garasjeport-lås, 841EU	1x	12. Skruer 54,8 mm	4x
3. MONTERINGSBRAKETT	1x	13. HÅNDTAK	1x
4. KRAGE MED SKRUESETT	1x	14. TAU	1x
5. SIKKERHETSKLISTREMERKER	1x	15. Skruer 15 mm	2x
6. 4-knapps fjernkontroll, TX4EVF	2x	16. TØRRMURANKER (SKRU-INN) 36,8 MM	4x
7. Fjernstyrt LED-lampe for MyQ, 827EV	1x	17. Skruer 22 mm	2x
8. Manuell			
FESTELEMENTER FJERNKONTROLL LYS			
9. Tørrmuranker (skru-inn) 42 mm	2x		
10. Skruer 27,85 mm	2x		

## 8 Nødvendig tilbehør

Kabelspenningskontroller 041A9264.

Infrarøde fotoceller (for bruk av MyQ: - 771EV eller - 772E eller - 771EVK eller - G770E).

## 9 Fest kragen til garasjeportåpneren

For å unngå installasjonsproblemer må du ikke kjøre garasjeportåpneren før du blir bedt om det.

Garasjeportåpneren kan installeres på hvilken som helst side av porten (se Planleggings-avsnittet). Bildene som er vist er for installasjon på bildearket.

1. Løs opp settskruene.
2. Fest kragen til garasjeportåpnerens motoraksel. Den siden av kragen med det største hullet skal plasseres på motorakslen.
3. Sørg for at kragen sitter helt opp på motorakselen til stoppepunktet er nådd.
4. Plasser kraven slik at skruene vender ut og er tilgjengelige når de festes til torsjonsstangen.
5. Stram de to firkantskruene nærmest motorakselen godt ved å skru skruene 1/4 - 1/2 omgang etter at de har kommet i kontakt med motorakselen.

## 10 Fest monteringsbraketten til garasjeportåpneren



1. Fest løst den slissede siden av festebraketten til samme side av garasjeportåpningen som kragen ved hjelp av skruene som følger med (11).

**MERK:** Ikke skru til skruene før du blir bedt om det.

## 11 Posisjoner og monter garasjeportåpneren



**Betongankre MÅ brukes hvis monteringsbraketten skal festes til mur. Prøv ALDRI å løsne, forflytte eller juster garasjeport, fjærer, kabler, trinser, braketter eller deres festeelementer, som ALLE er under EKSTREM spenning. Tilkall ALLTID en utdannet portsystemtekniker /installatør /spesialist dersom garasjeporten ikke stopper opp, hakker eller er ute av balanse. En ubalansert garasjeport vil kanskje IKKE reversere når dette er påkrevet. Garasjeportåpner MÅ monteres i riktig vinkel mot torsjonsstangen for å unngå for tidlig slitasje på kragen. Vurder kravene på stedet.**

**MERK:** For ekstra monteringsalternativer, se tilbehørssiden.

1. Lukk garasjeporten helt.
2. Skyv garasjeportåpneren inn på enden av torsjonsstangen. Hvis torsjonsstangen er for lang eller skadet, må du kanskje kutte torsjonsstangen. Kontroller at kragen IKKE berører lageret.
3. Bruk et vater for å posisjonere og justere garasjeportåpneren vertikalt. Kontroller at monteringsbraketten er plassert på en fast overflate som tre, betong eller port- / flaggbrakett. Ved montering på gips, må monteringsbraketten festes til en bolt.
4. Når garasjeportåpneren er riktig justert, merker du monteringsbrakettens hull. Hvis nødvendig, stram krageskruene på torsjonsstangen for å holde garasjeportåpneren på plass mens hullene markeres. **MERK:** Garasjeportåpneren behøver ikke å være jevn med veggen.
5. Fjern garasjeportåpneren fra torsjonsstangen. Bor 5mm pilothull på de markerte stedene. Bor gjennom metallportskinner hvis nødvendig.
6. Skyv garasjeportåpneren tilbake på torsjonsstangen til pilothullene er justert med braketten.
7. Trekk til de to firkantskruene på torsjonsstangen. Ved hul torsjonsstang, stram skruene 3/4 - 1 full omdreining etter å ha kommet i kontakt med stangen. Ved hel torsjonsstang, stram skruene 1/4 - ikke mer enn 1/2 omdreining etter å ha kommet i kontakt med stangen. Hvis du installerer på en torsjonsstang med spor for festenepler, må IKKE skruene skrues inn i nøkkelbanen.
8. Fest monteringsbraketten til veggen og til garasjeportåpneren. Bruk skruene (12) for å feste monteringsbraketten til veggen.

## 12 Sett på nødutløsningstauet og håndtaket



Hvis mulig, bruk nødutløserhåndtaket for å koble fra porten KUN når garasjeporten er lukket. Svake eller ødelagte fjærer eller en ubalansert port kan føre til at en åpen port faller raskt og / eller uventet. **Bruk ALDRI nødutløserhåndtak med mindre garasjeporten er fri for personer og hindringer.**

1. Før den ene enden av nødutløsningstauet gjennom håndtaket. Pass på at "NOTICE" er riktig side opp. Sikre tauet med en overhåndsknute minst 2,5 cm fra enden av for å unngå at det glir.
2. Sett den andre enden av nødutløsningstauet gjennom hullet i utløserarmen. Monter nødutløseren innen rekkevidde, men minst 1,83 m over gulvet, unngå kontakt med kjøretøy for å forhindre utilsikket utløsning og sikre den med en overhåndsknute.

**MERK:** Hvis det er nødvendig å kutte tauet, varm opp og forsegle stumpenden med en fyrstikk eller lighter for å unngå at tauet rakner.

## 13 Installer den automatiske portlåsen

Den automatiske portlåsen (modell 841EU) brukes til å forhindre at porten åpnes manuelt når porten er helt lukket.

*MERK: Eldre modeller av 24 V portlåser er ikke kompatible.*

1. Låsen må monteres innenfor 3,05 m fra portåpneren. Monter på samme side som portåpneren dersom dette er mulig.
2. Pass på at skinneoverflaten er ren og fest låsemalen til sporet slik at bolthullet er ca. 7,6 cm fra midten av en portrulle.
3. Bor hullene slik som det markert på malen.
4. Fest den automatiske portlåsen på utsiden av portsporet med de medfølgende festeelementene.
5. Før ringeledningen opp veggen til portåpneren. Bruk isolerte stifter (valgfritt) for å sikre kabelen der det måtte være nødvendig. Sett inn ledningen gjennom bunnen av portåpneren.
6. Koble kontakten til hvilken som helst plugg i portåpneren. En andre portlås (841EU) kan installeres på motsatt side av porten ved å følge instruksjonene ovenfor.

### TEST AUTOMATISK PORTLÅS

1. Når porten er helt lukket skal den automatiske portlåsbolten(B) stikke ut gjennom sporet.
2. Betjening av porten i åpningsretning. Den automatiske portlåsen (A) skal trekke seg inn før porten begynner å bevege seg
3. Betjening av porten i lukkeretning. Når porten når helt lukket stilling, skal den automatiske portlåsen bevege seg i låseposisjon for å sikre porten.

*MERK: Hvis den automatiske portlåsen ikke skulle fungere, kan låsemekanismen løsnes manuelt ved å skyve det manuelle frigjøringshåndtaket (C) til åpen stilling.*

## 14 Fest kabelspenningssensor (041A9264) (nødvendig tilbehør)

Kabelspenningssensoren MÅ kobles til og installeres riktig før garasjeporten kan bevege seg i lukkeretningen. Kabelspenningssensoren oppdager ethvert slakk som kan oppstå i kablene og vil reversere porten, og eliminerer dermed serviceanrop. Installasjon av kabelspenningssensor er påkrevet i henhold til EN12453.

*MERK: Kabelspenningssensoren er levert for installasjon på venstre side. For installasjon på høyre side, fjern snap-ringen som holder rullen på plass og monter den igjen på den motsatte siden av kabelspenningssensoren.*

1. Pass på at portkabelen er ca 19 mm fra monteringsflaten. Det kan være nødvendig å foreta justeringer eller tilpasninger av porten for å oppnå riktig dybde for portkabelen.
2. Plasser kabelspenningssensoren slik at rullen er 5-15 cm fra trommelen og rullen strekker seg 3-6 mm forbi kabelen. Pass på at kabelspenningssensoren befinner seg på et underlag av tre, og det ikke finnes noen hindringer for rullen.  
*MERK: Det må ikke finnes hindringer i installasjonsområdet som forhindrer at kabelspenningssensoren lukkes helt når det oppdages slakk.*
3. Merk og bor 5 mm pilot hull for skruer (pilot hull er ikke nødvendig for ankre).
4. Fest kabelspenningssensoren til veggen ved hjelp av de medfølgende festeelementene. Sørg for at rullen er over kabelen.
5. Før ringeledningen til portåpneren. Bruk isolerte stifter for å sikre kabelen.
6. Koble ringeledningen til de grønne hurtigkoblingsklemmene (10 + 11) på portåpneren (polariteten er ikke viktig).  
*MERK: Kabelen må være i spenn under hele portens bevegelse. Pass på at det ikke er slakk i kabelen på motsatt side av porten under normal bruk. Juster kablene etter behov dersom det oppstår slakk under bevegelse av porten.*

Når to kabelspenningssensorer er installert, vil ikke porten bevege seg i lukkeretningen eller vil reversere hvis en av sensorene oppdager slakk eller er frakoblet.

### TESTING AV KABEL FOR SPENNINGSSENSOR

1. Skyv på forsiden av kabelspenningssensoren med porten helt lukket. Et klikk skal høres. Hvis det ikke er noe klikk, kan det være at rullen slår mot karmen og ikke lar bryteren oppdage slakk i kabelen. Pass på at kabelspenningssensoren er montert jevnt med veggen og det ikke finnes noen hindringer for rullen.

Motstanden på 1k som følger med er kun for feilsøking av CTM. I henhold til EN12453 må en kabelspenningssensoren være installert for å kunne oppnå en riktig påvisning av slakk kabel.

Hvis kabelspenningssensoren er aktivert, vil OPP og NED-pilene blinke diagnostisk kode 3-5.

## 15 Installering av fjernstyrt LED-lampe for MyQ (utformet kun for tørre områder)

Den fjernstyrte LED-lampen for MyQ er designet for å kobles direkte til en vanlig 230V utgang. Velg et passende sted i taket eller veggen for å montere lyset innenfor en avstand på 1,83 m fra stikkkontakten, slik at ledningen og lyset ikke er i nærheten bevegelige deler. Installasjonen av den fjernstyrte LED-lampen for MyQ er nødvendig for aktivering av bruk av MyQ og Timer-to-Close (TTC).

**MERK:** Hvis du installerer lyset på en gipsvegg og en takbøyle ikke kan brukes, må du bruke gipsveggankre. Det er ikke nødvendig med pilothull for gipsveggankre.

1. Bor pilothullene 15,6 cm fra hverandre hvis montering skjer til bøyel.  
ELLER  
Skru i gipsveggankre 15,6 cm fra hverandre ved montering på gipsvegg.
2. Beregn lengden på strømledningen som trengs for å nå det nærmeste uttaket. Kveil opp eventuell overflødig ledning rundt ledningsholderen på oversiden av lampebunnen. Før ledningen gjennom kanalen slik at lampen er montert flatt.
3. Åpne lampelinsen.
4. Monter lampen med de medfølgende skruene (9 + 10).
5. Lukk lampelinsen.
6. Koble lampen til strømuttaket.

**MERK:** LED-lampen gir meget sterkt lys. IKKE se rett inn i lampen dersom du befinner deg på en stige.

Garasjeportåpnerens fjernstyrte lys er allerede programmert fra fabrikk for å fungere sammen med åpneren. Eventuelle tilleggs- eller utskiftede fjernstyrte lys må programmeres.

## 16 Elektrisk tilkobling



For å unngå personskader og skade på enheten, skal portåpneren kun betjenes dersom en slik instruksjon er uttrykkelig angitt i denne håndboken. Stikkkontakten må alltid være tilgjengelig for å kunne koble fra strømforsyningen. Elektriske installasjoner må bare utføres av en autorisert elektriker.

## 17 Installasjon av fotoceller

### VIKTIG INFORMASJON OM DE INFRARØDE FOTOCELLENE

Instruksjonene for installasjon er inkludert i leveransen av de infrarøde fotocellene og må følges. Fotocellene sikrer at porten er åpen, eller forblir åpen, hvis personer, og spesielt små barn, er i portområdet. Når den er riktig tilkoblet og justert, vil den infrarøde fotocellesensoren oppdage et hinder i veien for den elektroniske strålen. Senderens sensor sender en usynlig lysstråle til mottakersensoren. Hvis en hindring bryter lysstrålen mens porten lukkes, stopper porten og reverserer til full åpen stilling, og åpner-lampene vil blinke 10 ganger.

For bruk av MyQ- eller TTC-funksjonen må sensorene installeres i garasjen slik at sende- og mottaksensorene møter hverandre i porten, ikke mer enn 10 cm over gulvet. Begge kan installeres til venstre eller høyre for porten så lenge solen aldri skinner direkte inn i sensorlinsen for mottakeren. Den usynlige lysstrålebanen må være uhindret. Ingen del av garasjeporten (portspor, fjærer, hengsler, ruller eller andre festeelementer) kan avbryte strålen mens porten lukkes.

**MERK:** Liftmaster anbefaler å installere infrarøde fotoceller på hver installasjon. For bruk av MyQ- eller TTC-funksjonen er det nødvendig med installasjon av infrarøde fotoceller.

### KOBLING AV LEDNINGER FOR INFRARØDE FOTOCELLER

1. Før ledningene fra begge sensorene til garasjeportåpneren. Fest ledningen til veggen og taket med stifter.
2. Stripp 11 mm isolasjon fra hvert ledningssett. Separer ledningene. Vri de hvite ledningene sammen. Vri de hvite/sorte ledningene sammen.
3. Sett de hvite ledningene i den hvite terminalklemmen på garasjeportåpneren. Sett de hvite/sorte ledningene i den grå terminalklemmen på garasjeportåpneren. For å sette inn eller ta ut ledningene fra terminalklemmen, trykk inn tappen med spissen av en skrutrekker.

### SØRG FOR AT DE INFRARØDE FOTOCELLENE ER JUSTERT

Porten lukkes ikke hvis sensorene ikke er installert og justert riktig.

Når lysstrålen er blokkert eller feiljustert mens porten lukkes, vil porten reversere og garasjeportens åpnerlys vil blinke ti ganger. Dersom porten allerede er åpen, vil den ikke lukke seg. Sensorene kan justeres ved å løsne vingemutrene, justere sensorene og deretter trekke til vingemutrene.

1. Kontroller at lysdiødene i begge sensorene lyser jevnt. Lysdiødene i begge sensorene vil lyse jevnt dersom de er riktig justert og koblet

### TESTING AV INFRARØDE FOTOCELLER

1. Åpne porten. Plasser et hinder i portens åpning
2. Trykk på fjernkontrollens lukkeknapp for å lukke porten. Porten vil ikke bevege seg mer enn 2,5 cm, og lysene på garasjeportåpneren vil blinke 10 ganger.

Garasjeporten åpnes ikke med fjernkontroll hvis lysdiøden i en av de infrarøde fotocellene er slått av (varsler deg om at sensoren er feiljustert eller blokkert). Hvis garasjeportåpneren lukker porten når en infrarød fotocelle er blokkert (og sensorene ikke er mer enn 10 cm over gulvet) må en portsystemtekniker kontaktes.



## 18 Tilkobling av strøm

For å unngå installasjonsproblemer må du ikke kjøre garasjeportåpneren nå.

For å redusere risikoen for elektrisk støt har garasjeportåpneren en stikkontakt med jording. Denne stikkontakten vil kun passe inn i et uttak med jording. Hvis støpselet ikke passer inn i uttaket du har, må du kontakte en kvalifisert elektriker for å få installert riktig uttak.

Det er bare ett alternativ for tilkobling av strøm:

**VANLIG LEDNINGSKOBLING**

Plugg inn garasjeportåpneren i et jordet uttak.

## 19 Installasjon av batteri-backup (Valgfritt tilbehør)



For å redusere risiko for BRANN eller PERSONSKADER. Koble fra ALL elektrisk og batteristrøm FØR du utfører ETHVERT service- eller vedlikeholdsarbeid. Bruk KUN LiftMaster-delen 485EU som erstatningsbatteri. IKKE brenn brukte batterier. Batteriet kan eksplodere. Sjekk lokale reguleringslover for avhendingsinstruksjoner.

Når du er i batteri-backup-modus, vil MyQ Smartphone Control og trådløse MyQ-enheter bli deaktivert. I batteri-backup-modus vil den automatiske garasjeportlåsen låses opp når garasjeporten er åpnet, og vil forbli deaktivert til strømmen er gjenopprettet.

1. Koble fra garasjeportåpneren.
2. Bruk en skrutrekker for å fjerne batteridekselet på garasjeportåpneren.
3. Sett batteriet delvis inn i batterirommet med klemmene vendt ut.
4. Koble til de røde (+) og svarte (-) ledningene fra garasjeportåpneren til de tilsvarende klemmene på batteriet.
5. Sett på batterilokket igjen.
6. Koble til garasjeportåpneren.

### BATTERI STATUS LED (B)

#### GRØNN LYSDIODE:

Alle systemer er normale.

- En kontinuerlig grønn lysdiode betyr at batteriet er fullt ladet.
- En blinkende grønn lysdiode betyr at batteriet er under lading.

#### ORANSJE LYSDIODE:

Garasjeportåpneren har mistet strømtilførsel og befinner seg i batteri-backup-modus.

- En kontinuerlig oransje lysdiode med et pipesignal omtrent annethvert sekund indikerer at garasjeportåpneren er på batteridrift.
- En blinkende oransje lysdiode med et pipesignal omtrent hvert 30. sekund indikerer at batteriet er svakt.

#### RØD LYSDIODE:

Garasjeportåpnerens 12V-batteri må skiftes ut.

- En kontinuerlig rød lysdiode med et pipesignal hvert 30. sekund indikerer at 12V-batteriet ikke lenger kan holde på ladingen og må skiftes ut. Sett inn et nytt batteri for å opprettholde batteri-backup-funksjonen.

**MERK:** Batteriet trenger ikke å være fulladet for å drive garasjeportåpneren.

## 20 Programmering av bevegelsen



Feil justerte grenser for garasjeportens bevegelse vil forstyrre riktig drift av sikkerhetssystemet for reversering. Etter EN-HVER justering **MÅ** sikkerhetssystemet for reversering testes. Porten **SKAL** reversere ved kontakt med en 40 mm høy gjenstand på gulvet. For å unngå skader på kjøretøy må du være sikker på at det er tilstrekkelig klaring når porten er helt åpen.

Bevegelsesgrensene regulerer punktene hvor porten vil stoppe når den beveger seg opp eller ned. Under programmeringen kan OPP- og NED-knappene benyttes til å bevege porten etter behov.

1. Trykk ned og hold nede justeringsknappen (A) til OPP-knappen (U) begynner å blinke og/eller et pipesignal høres.
2. Trykk og hold nede OPP-knappen (U) fram til porten er i den ønskede OPP-posisjonen.
3. Etter at porten er kommet i den ønskede OPP-posisjonen, trykk og slipp opp justeringsknappen (A). Lampene på garasjeportåpneren vil blinke to ganger og NED-knappen (D) vil begynne å blinke.
4. Trykk og hold nede NED-knappen (D) fram til porten er i den ønskede NED-posisjonen.
5. Etter at porten er kommet i den ønskede NED-posisjonen, trykk og slipp opp justeringsknappen (A). Lampene på garasjeportåpneren vil blinke to ganger og OPP-knappen (U) vil begynne å blinke.
6. Trykk og slipp opp OPP-knappen (U). Når porten beveger seg til den programmerte OPP-posisjonen, vil NED-knappen (D) begynne å blinke.
7. Trykk og slipp opp NED-knappen (U). Porten vil bevege seg til den programmerte NED-posisjonen. Programmeringen er ferdig.

Hvis lampene på garasjeportåpneren blinker 5 ganger under programmeringstrinnene for bevegelsen har tiden for programmering programering gått ut. Hvis kabelspenningssensoren ikke er installert eller det oppdager for mye slakk i kabelen, vil lampen på garasjeportåpneren blinke 5 ganger. Kontroller at kabelspenningssensoren er riktig installert og følg deretter trinnene for programmering av bevegelsen. Hvis lampene på garasjeportåpneren blinker 10 ganger under programmeringstrinnene for bevegelsen er de infrarøde fotocellene feiljustert eller blokkert. Når sensorene er justert og ikke er blokkert, kjør porten gjennom en komplett opp- og ned-syklus ved hjelp av fjernkontrollen eller OPP- og NED-knappene. Programmeringen er ferdig. Dersom det ikke lar seg gjøre å kjøre porten opp og ned, må trinnene for programmering av bevegelsen repeteres.

## 21 Testing av systemet for sikkerhetsreversering



Uten et riktig installert system for sikkerhetsreversering kan personer (spesielt små barn) bli **ALVORLIG SKADET** eller **DREPT** av en garasjeport som lukkes. Systemet for sikkerhetsreversering **MÅ** testes hver måned. Etter **ENHVER** justering **MÅ** sikkerhetssystemet for reversering testes. Porten **MÅ** reversere ved kontakt med en 40 mm høy gjenstand på gulvet.

### TEST

1. Legg et 40 mm høyt bord på gulvet og sentrert under garasjeporten mens porten er helt åpen.
2. Trykk på fjernkontrollens lukkeknap for å lukke porten. Porten **MÅ** reversere når den kommer i kontakt med bordet.

### JUSTERINGER

Dersom porten stopper men ikke reverserer:

1. Gå gjennom installasjonsinstruksjonene som er gitt for være sikker på at alle trinnene ble fulgt;
2. Repeter bevegelsesprogrammet (se justering trinn 1 "Punkt 20");
3. Repeter testen for sikkerhetsreversering.

Dersom testen fortsatt gir feil, ta kontakt med en utdannet tekniker i portsystemer.

### VIKTIG SIKKERHETSSJEKK:

Test av systemet for sikkerhetsreversering etter:

- Hver justering av grensene.
- Enhver reparasjon eller justering av porten (inkludert fjærer og festeelementer).
- Enhver reparasjon eller hevelse av gulvet.
- Enhver reparasjon eller justering av garasjeportåpneren.

## 22 Manuell åpning av porten



Hvis mulig, bruk nødutløserhåndtaket for å koble fra porten KUN når garasjeporten er lukket. Svake eller ødelagte fjærer eller ubalansert port kan føre til at en åpen port faller raskt og / eller uventet ned. Bruk ALDRI nødutløserhåndtaket med mindre garasjeporten er fri for personer og hindringer.

Lås opp eventuelle portlåser før du fortsetter. Dersom det er mulig skal porten være helt lukket. Trekk ned nødutløserhåndtaket til du hører en klikkelyd fra portåpneren og løft porten manuelt. For å koble porten til portåpneren igjen, trekk nødutløserhåndtaket rett ned en gang til, til du hører en klikkelyd fra portåpneren. Porten vil kobles til igjen ved neste OPP eller NED-drift.

### TESTING AV NØDUTLØSEREN

1. Kontroller at porten er stengt.
2. Trekk i nødutløserhåndtaket. Porten skal da kunne åpnes manuelt.
3. Returner porten til lukket posisjon.
4. Trekk i nødhåndtaket en gang til.
5. Koble porten til portåpneren igjen.

## 23 Bruk av garasjeportåpneren

### FUNKSJONER

Garasjeportåpneren er utstyrt med funksjoner som vil gi deg større kontroll over driften av garasjeporten.

### LUKKEVARSEL

Lukkevarsel-funksjonen gir et visuelt varsel om at en uovervåket port er i ferd med å lukkes.

### TIMER-FOR LUKKING (TTC)

TTC-funksjonen lukker automatisk porten etter en spesifisert tidsperiode som kan justeres ved hjelp av en TTC-aktivert portkontroll (fotoceller ved modellene 771EV / 772E / 771EVK / G770E er nødvendig). Før og under lukkingen av porten blinker garasjeportens åpningslys.

### TTC AKTIVERING:

1. Trykk ned og slipp opp den gule lære-knappen (L) 4 ganger.
2. Den gule lære-lysdioden skal slås PÅ
3. Gå gjennom AV / 1/5/10 minutters trinn ved å bruke OPP (U) og NED (D)-pilene. Den gule lære-lysdioden vil blinke etter valgt tid. For eksempel, Hvis du velger 5 minutter, vil den gule lære-lysdioden blinke 5 ganger som en bekreftelsestilbakemelding.
4. Trykk på den rektangulære justeringsknappen (A) for å lagre innstillingen og gå ut av TTCs programmeringsmodus. Etter at aktiveringen er ferdig vil MyQs fjernstyrte LED-lampe blinke EN GANG som bekreftelse. Når du programmerer TTC-funksjonen, må du trykke på neste knapp innen 30 sekunder, ellers vil TTC-aktiveringen gå ut. Hvis programmeringstimeren utløper, beholder TTC til tidligere innstillinger, og den fjernstyrte-LED-lampen for MyQ vil blinke FEM ganger.

For å avslutte en ikke avsluttet TTC programmeringsmodus, trykk og slipp læreknappen (L) en gang til.

### TTC BYTTE AV TIMING:

1. Trykk på læreknappen (L) 4 ganger.
2. Gå gjennom AV / 1/5/10 minutters trinn ved å bruke OPP (U) og NED (D)-pilene. Den gule lære-lysdioden vil blinke etter valgt tid.
3. Trykk på den rektangulære justeringsknappen (A) for å lagre innstillingen og gå ut av TTC's programmeringsmodus. Når aktiveringen er fullført, vil den fjernstyrte LED-lampen for MyQ blinke EN gang som en bekreftelse.

### TTC DEAKTIVERING:

1. Trykk på den gule læreknappen (L) 4 ganger.
2. Trykk på justeringsknappen én gang for å lagre innstillingen.
3. Når deaktiveringen er fullført, vil den fjernstyrte LED-lampen for MyQ blinke EN gang som en bekreftelse. Dersom TTC er aktiv, teller timeren, og IR-strålene blir avbrutt, skal TTC-timeren startes på nytt.

## MYQ

MyQ lar deg kontrollere garasjeportåpneren fra din mobile enhet eller datamaskin fra hvor som helst. MyQ-teknologien bruker et radiosignal for å gi toveiskommunikasjon mellom garasjeporten og MyQ-aktivert tilbehør. Garasjeportåpneren har en intern inngangsport som gjør at garasjeportåpneren kan kommunisere direkte med et hjemme-Wi-Fi®-nettverk og få tilgang til MyQ-kontoen din.

## INFRARØDE FOTOCELLER

Når de er riktig tilkoblet og justert, vil de infrarøde fotocellene oppdage et hinder i veien for den infrarøde strålen. Hvis en hindring bryter den infrarøde strålen mens porten lukkes, stopper porten og reverserer til full åpen stilling, og åpner-lampene vil blinke 10 ganger. Hvis porten er helt åpen med infrarøde feil justerte fotoceller, lukkes ikke porten fra en fjernkontroll. Du kan imidlertid lukke porten hvis du holder inne knappen på portkontrollen eller den nøkkelfrie tilgangen til porten er helt lukket. De infrarøde fotocellene påvirker ikke åpningsssyklusen.

## ENERGISPARING

For å gi energieffektivitet vil garasjeportåpneren gå i dvalemodus når porten er helt lukket. Dvalemoduset slår av garasjeportåpneren til den aktiveres. Hvilemodusen er sekvensert med garasjeportåpnerens lys: Når lyset slår seg av, vil sensorens lysdioder slukke, og når lysene til garasjeportåpner slås på, vil lysdiødene lyse. Garasjeportåpneren går ikke inn i hvilemodus til garasjeportåpneren har fullført 5 sykkluser ved oppstart.

## LYS

Garasjeportåpningens lys slås på når åpneren først tilkobles; strømmen gjenopprettes etter avbrudd, eller når garasjeportåpneren er aktivert. Lyset vil slå seg automatisk av etter 4-1/2 minutter.

## LYS-FUNKSJON

Garasjeportåpneren er utstyrt med en ekstra funksjon: lysene vil slås på når noen kommer inn gjennom den åpne garasjeporten og den infrarøde strålen brytes. De infrarøde cellene 771EV / 772E / 771EVK / G770E må installeres for å aktivere denne funksjonen.

## BATTERI-BACKUP (TILBEHØR)

Batteriets backup-system gir deg tilgang til og fra garasjen selv når strømmen er borte. Når garasjeportåpneren går på batteristrøm, vil garasjeportåpneren åpnes saktere, lyset vil ikke fungere, batteristatus-lysdioden vil lyse kontinuerlig oransje, og et pipesignal vil høres omtrent hvert 2. sekund.

## BRUK AV GARASJEPORTÅPNEREN

Garasjeportåpneren kan aktiveres via en veggmontert portkontroll, en fjernkontroll, en trådløs nøkkelfri tilgang eller med MyQ-tilbehør. Ved betjening av portåpneren ved hjelp av radiostyring eller veggbryter:

- lukker porten når den er helt åpen
- åpner porten når den er helt lukket
- stopper porten når den åpner eller lukker seg
- porten går i den motsatte retningen av den siste fullførte bevegelsen dersom den er delvis åpen

Dersom porten oppdager en hindring eller blir avbrutt mens den åpnes, vil den stoppe. Hvis garasjeportåpneren oppdager en hindring under lukkingen, vil porten reversere. Hvis hindringen forstyrrer sensorstrålen vil lysene i garasjeportåpneren blinke 10 ganger. Du kan imidlertid lukke porten hvis du holder inne knappen på portkontrollen eller den nøkkelfrie tilgangen til porten er helt lukket. De infrarøde fotocellene påvirker ikke åpningsssyklusen.

## SYKLUSTELLER. AKTIVERING OG AVLESNINGSPROSEDYRE:

1. Koble strømmen fra RJO-en for å gå inn i denne modusen.
  2. Trykk på justerings- (A) og lære-knappene (L) og hold disse nedtrykket samtidig når strømmen kommer tilbake.
  3. LED-lampen for "OPP"-pilkknappen (U) vil blinke én gang for hver tusen FULLFØRTE sykkluser så lenge knappene for justering (A) og læring (L) trykkes og holdes nede.
- For eksempel, dersom RJO har fullført 8756 sykkluser, vil LED-lampen for OPP blinke 8 ganger.

Koble fra RJO fra strømforsyningen og start igjen dersom du ønsker å gjenta avlesningen.

**Lys-sender (med 78EV):** Gjør det mulig å tilordne en sender til MyQ fjernkontroll via multifunksjonskontrollen på veggen.

Å programmere senderen til den den fjernstyrte LED-lampen for MyQ:

1. Trykk og hold nede knappene LYS og LÅS samtidig.
2. Mens du holder nede begge disse knappene, trykker du på og holder en av knappene på senderen helt til arbeidslyset til RJO blinker én gang.
3. Slipp alle knappene etter at åpnerens arbeidslys har blinket én gang

**Feriemodus** (krever veggkontroll 78EV). Angi en 4-sifret kode etter eget valg for å betjene porten.

**Nøkkelfri tilgang** (krever 747EV trådløst tastatur): Angi en 4-sifret kode etter eget valg for å betjene porten.

**Midlertidig tilgang** (krever 747EV trådløst tastatur): En midlertidig kode kan programmeres for å tillate begrenset tilgang til garasjen (etter tid eller antall åpninger).

**Én-knapps lukkefunksjon** (krever 747EV trådløst tastatur): Porten lukkes fra hvilken som helst posisjon uten tilgangskoden (ikke åpnes).

## 24 Tilkobling til smarttelefon

Wi-Fi® garasjeportåpneren er kompatibel med opp til 16 MyQ-aktiverte tilbehør. Opptil 10 enheter kan kobles til Wi-Fi garasjeportåpnerens interne inngangsport. Disse enhetene kan styres med MyQ-appen. Disse enhetene inkluderer en hvilken som helst kombinasjon av MyQ garasjeportåpner, Wi-Fi garasjeportåpner, MyQ-lys, MyQ port-operatorer. En LiftMaster Internett-inngangsport (828EV) kan legges til hvis du trenger å kontrollere mer enn 10 enheter ved hjelp av MyQ-appen. Opptil 6 enheter kan kobles til selve garasjeportåpneren (styrt av garasjeportåpneren). Disse enhetene inkluderer enhver kombinasjon av MyQ-lys eller garasjeport og portsensor.

### Du vil trenge:

- Wi-Fi-aktivert smarttelefon, nettbrett eller bærbar PC
- Bredbåndsforbindelse til Internett
- Wi-Fi-signal i garasjen (2,4 Ghz, 802.11b/g/n påkrevet)
- Passord for hjemmenettverket ditt (ruterens hovedkonto, ikke gjestenettverk)
- Serienummeret for M er plassert på garasjeportåpneren
- Infrarøde fotoceller (tilbehør)
- Fjernstyrt LED-lampe for MyQ (i leveringsomfanget)

### SYNKRONISERING AV PORTKONTROLLEN

For å synkronisere portkontrollen 78EV til garasjeportåpneren, trykk på trykkstangen til garasjeportåpneren aktiveres (det kan ta opptil 3 trykk). Garasjeportåpneren må gå gjennom en komplett syklus før den vil aktivere Wi-Fi-programmering.

### KOBLE TIL GARASJEPORTÅPNEREN TIL DITT HJEMME-WI-FI-NETTVERK

1. Trykk ned og slipp opp den gule LÆRE-knappen (L) på garasjeportåpneren 3 ganger. Garasjeportåpneren vil gi fra seg ett pipesignal. Du har 20 minutter på deg til å fullføre tilkoblingsprosessen.
2. På den mobile enheten din, gå til Innstillinger > Wi-Fi og velg deretter nettverket som begynner med "MyQ-" i navnet.
3. Start nettleseren på smarttelefonen eller nettbrettet. Tast inn [setup.myqdevice.com](http://setup.myqdevice.com) i adressefeltet til nettleseren. Følg instruksjonene på skjermen for å koble garasjeportåpneren til Wi-Fi-nettverket. MyQ-serienummeret vil vises på skjermen. Skriv serienummeret i rommet under

4. Last ned MyQ-appen fra App Store® eller Google Play™ store. Registrer deg for din MyQ-konto og legg til MyQ-serienummeret på kontoen din.

Repetér trinnene 1-3 for å legge til nok en Wi-Fi garasjeportåpner. Legg til det andre MyQ-serienummeret på kontoen din i MyQ-appen.

MERKNADER: MyQ Smartphone Control vil IKKE fungere hvis garasjeportåpneren drives på batteristrøm. For å slette Wi-Fi-innstillingene, se side 15.

En LED-lampe (A) på garasjeportåpneren vil indikere Wi-Fi-statusen. Se tabell under

LED	DEFINISJON
BLÅ	Av - Wi-Fi er ikke slått på. Blinker - Garasjeportåpneren er i Wi-Fi-læremodus. Kontinuerlig - Mobilenheten er koblet til garasjeportåpneren
BLÅTT OG GRØNT	Blinker - Forsøker å koble seg til ruterens.
GRØNT	Blinker - Forsøker å koble seg til internettserveren. Kontinuerlig - Wi-Fi er slått opp og garasjeportåpneren er koblet til Internett.

---

## **25** Programmerer åpneren og fjernkontrollen / Den trådløse trykknappen // Det trådløse tastaturet (Tilbehør)

Aktiver kun åpneren når porten er fullt synlig, fri for hindringer og riktig justert. Ingen personer må gå inn eller ut av garasjen mens porten er i bevegelse. Ikke la barn bruke trykknapp(er) eller fjernkontroll(er). Ikke la barn leke i nærheten av porten. Mottakeren for garasjeportåpneren og én av knappene på fjernkontrollen er forhåndsprogrammert. Hvis du anskaffer flere fjernkontroller, må garasjeportåpneren programmeres for å godta den nye fjernkontrollkoden.

### PROGRAMMER MOTTAKEREN FOR TILORDNING TIL EN TILLEGGS-FJERNKONTROLL: VED BRUK AV DEN GULE, RUNDE KNAPPEN

1. Trykk ned og slipp opp den gule runde knappen (L) på åpneren. Læreindikatorlampen vil lyse jevnt i 30 sekunder.
2. Trykk og hold knappen på fjernkontrollen som du ønsker å betjene garasjeporten din med innenfor 30 sekunder.
3. Slipp opp knappen når åpnerens lampe blinker én gang. Den har da lært koden. Nå vil åpneren være i drift når knappen på fjernkontrollen blir trykket ned. Hvis du slipper trykknappen på fjernkontrollen før åpnerens lampe blinker, har ikke åpneren lært koden.

### NØKKELFRI INNGANG

1. Trykk ned og slipp opp den gule runde knappen (L) på åpneren. Læreindikatorlampen vil lyse jevnt i 30 sekunder.
2. Skriv inn et 4-sifret personlig ID-nummer (PIN) etter eget valg på tastaturet.
3. Trykk deretter på ENTER-knappen.
4. Garasjeportåpnerens lamper vil blinke (eller to klikk vil bli hørt) når koden er blitt programmert. Gjenta trinnene ovenfor for programmering av ekstra fjernkontroller eller nøkkelfrie innganger. Hvis programmeringen mislykkes kan du programmere fjernkontrollen ved å bruke læreknappen.

### SLETTING AV ALLE KODER FOR FJERNKONTROLLER

For å deaktivere enhver uønsket fjernkontroll, må du først slette alle kodene: Trykk og hold den gule runde knappen på åpneren nede til læreindikatorlampen slukker (ca. 10 sekunder). Alle tidligere koder er nå slettet. Programmer hver fjernkontroll eller nøkkelfri inngang på nytt som du ønsker å bruke.

---

## **26** Programmering av den fjernstyrte LED-lampen for MyQ

Garasjeportåpnerens fjernstyrte lampe er allerede programmert fra fabrikken for å fungere sammen med åpneren. Eventuelle tilleggs- eller utskiftede fjernstyrte lys må programmeres.

### PROGRAMMERING AV PORTÅPNEREN TIL DEN FJERNSTYRTE LAMPEN FOR MYQ:

1. Trykk på LÆRE-knappen (L) på lampen til den grønne lysdioden kommer PÅ.
2. Trykk på LÆRE-knappen (L) på portåpneren.
3. Koden er programmert når den fjernstyrte lampen blinker én gang.

### PROGRAMMERING AV FJERNKONTROLLEN TIL DEN FJERNSTYRTE LAMPEN FOR MYQ

1. Trykk på LÆRE-knappen (L) på lampen til den grønne lysdioden kommer PÅ.
2. Trykk på knappen på den fjernkontrollen som du vil bruke for lampen.
3. Koden er programmert når den fjernstyrte lampen blinker én gang.

For å programmere lampen med annet tilbehør, se bruksanvisningen for tilbehøret.

### LEGG TIL DEN FJERNSTYRTE LED-LAMPEN FOR MYQ TIL MYQ-KONTOEN

1. Trykk på LÆRE-knappen (L) på lampen til den grønne lysdioden kommer PÅ.
2. Logg inn på MyQ-appen og legg til den fjernstyrte LED-lampen for MyQ.

### SLETTING AV ALL PROGRAMMERING AV DEN FJERNSTYRTE LED-LAMPEN FOR MYQ.

1. Trykk og hold nede LÆRE-knappen (L) til lysdioden slukkes (6-10 sekunder). All programmering er nå slettet.

---

## 27 Sletting av minne

### SLETTING AV ALLE FJERNKONTROLLER OG NØKKELFRIE INNGANGER

1. Trykk og hold nede LÆRE-knappen (L) på garasjeportåpneren til LÆRE-lysdioden slukkes (ca. 6 sekunder). Alle kodene for fjernkontrollene og nøkkelfrie innganger er nå slettet. Programmer på nytt ethvert tilbehør som du ønsker å bruke.

### SLETTING AV ALLE ENHETER (INKLUDERT AKTIVERT TILBEHØR FOR MYQ)

2. Trykk og hold nede LÆRE-knappen (L) på garasjeportåpneren til LÆRE-lysdioden slukkes (ca. 6 sekunder).
3. Trykk øyeblikkelig og hold nede LÆRE-knappen igjen helt til lære-lysdioden slukkes. Alle koder er nå slettet. Programmer på nytt ethvert tilbehør som du ønsker å bruke.

### SLETTING AV WI-FI-NETTVERKET FRA GARASJEPORTÅPNEREN

1. Trykk og hold nede den sorte justeringsknappen (A) på garasjeportåpneren til du hører 3 pipesignaler (ca. 6 sekunder).

### SLETTING AV MYQ-KONTOEN

Gå til [myliftmaster.eu](http://myliftmaster.eu) for å slette MyQ-kontoen

---

## 28 Vedlikehold av garasjeportåpneren

### VEDLIKEHOLDSPLAN

#### HVER MÅNED

- Bruk porten manuelt. Dersom den er i ubalanse eller stopper opp, ta kontakt med en faglært tekniker i portsystemer.
- Kontroller for å være sikker på at porten åpner seg og lukker seg helt. Hvis nødvendig, juster grensene (se punkt 20 "Programmering av bevegelsen").
- Repeter testen for sikkerhetsreversering. Foreta eventuelle nødvendige justeringer (se punkt 21 "Test av systemet for sikkerhetsreversering").

#### HVERT ÅR

- Smør portuller, lagre og hengsler. Garasjeportåpneren trenger ikke mer smøring. Ikke smør inn portsporene.

### FJERNSTYRT LED-LAMPE FOR MYQ

- Koble fra lampen før rengjøring.
  - Bruk en lett fuktig klut for rengjøring.
  - IKKE bruk flytende rengjøringsmidler på lampelinsen.
- 

## 29 Utskifting av batterier på fjernkontrollen

### Batteri på fjernkontrollen:

Batteriene i fjernkontrollen har en ekstrem lang levetid. Dersom rekkevidden for signalene minsker, må batteriene skiftes ut. Batterier er ikke dekket av garantien.

### Ta hensyn til følgende instruksjoner for batterier:

Batterier må ikke behandles som husholdningsavfall. Alle forbrukere er pålagt ved lov å avhende batterier på riktig måte ved de angitte oppsamling-spunktene. Ikke lad opp igjen batterier som ikke er beregnet for opplading.

### Eksplisjonsfare!

Hold batteriene vekk fra barn, ikke kortslutt dem eller ta dem fra hverandre. Oppsøk umiddelbart en lege dersom et batteri svelges. Ved behov, Rengjør batteriets kontakter og apparater før de settes i. Fjern oppbrukte umiddelbart fra apparatet.

### Økt risiko for lekkasje.

Utsett aldri batterier for sterk varme som solskinn, ild eller lignende.

Det gir økt risiko for lekkasje.

Unngå kontakt med hud, øyne og slimhinner. Skyll kroppsdeler som er berørt av batterisyre med rikelig med kaldt vann og kontakt lege umiddelbart. Bruk kun batterier av samme type. Fjern batteriene dersom apparatet ikke skal brukes over lang tid.

### Utskifting av batterier:

For å skifte batteri, snu fjernkontrollen rundt og åpne batterirommet med en skrutrekker. Løft av dekslet og kontrollkortet under. Skyv batteriet til én side og ta det ut. Vær oppmerksom på batteriets polaritet. Monter igjen i omvendt rekkefølge.

### MERK!

Fare for eksplosjon hvis batteriet er skiftet ut på feil måte. Utskifting kan kun utføres med lik eller tilsvarende type (CR2032) 3V

## 30 Avhending

Emballasjen må avhendes i de lokale containerne for resirkulering. I henhold til europeisk direktiv 2002/96 / EF om avhending av elektrisk utstyr, må dette apparatet avhendes på riktig måte etter bruk for å sikre gjenvinning av materialene som er benyttet.



Gamle akkumulatører og batterier må ikke kastes i husholdningsavfallet, siden de inneholder forurensende stoffer, og må avhendes på riktig måte på kommunale samlingspunkter eller i en container hos forhandleren. Landsspesifikke bestemmelser må overholdes. Komponentene må avhendes på en riktig måte i et selskap som er spesialisert på offentlig avfallshåndtering. De relevante lokale og landsspesifikke regler må overholdes. Alle demonterte komponenter som er benyttet må ikke kastes i husholdningsavfallet.

De kompetente myndighetene (by, sted) eller disses avfallsselskap vil informere deg om mulighetene for denne avhendingen.

## 31 Diagnostisk Diagram

Garasjeportåpneren er programmert med selvdiagnostiske funksjoner. OPP og NED pilene på garasjeportåpneren blinker diagnosekodene

DIAGNOSTISK KODE		SYMPTOM	LØSNING
Opp-pil Blink(er):	Ned-pil Blink(er):		
1	1	Garasjeportåpneren vil ikke lukkes og lampen blinker.	Hvis infrarøde fotoceller er installert, er de ikke tilkoblet eller kan ha brudd. Inspiser sensorledningene for frakobling eller brudd.
1	2	Garasjeportåpneren vil ikke lukkes og lampen blinker.	En ledning for de infrarøde fotocellene er kortslettet eller montert omvendt. Inspiser fotocelleledningen på alle stiftpunkter og tilkoblingspunkter og bytt ledning eller korriger etter behov.
1	3	Portkontrollen vil ikke fungere.	Portkontrollens ledninger er kortslettet eller portkontrollen har en feil. Inspiser ledningene for portkontrollen på alle stiftpunkter og tilkoblingspunkter og bytt ledning eller korriger etter behov.
1	4	Garasjeportåpneren vil ikke lukkes og lampen blinker.	Hvis infrarøde fotoceller er installert, er de feil justert eller midlertidig blokkert. Justere igjen begge sensorene for å sikre at begge lysdiodene er stabile og ikke flimrer. Pass på at ingenting henger eller monteres på porten som vil forstyrre sensorens bane under lukking.
1	5	Porten beveger seg 15 20 cm, stopper eller går tilbake.	Manually open and close the door. Check for binding or obstructions, such as a broken spring or door lock, correct as needed. Check wiring connections at travel module and at the logic board. Replace travel module if necessary.
1	5	Ingen bevegelse, bare ett enkelt klikk.	Åpne og lukke porten manuelt. Kontroller for stopp eller hindringer, for eksempel en ødelagt fjær eller portlås, korriger etter behov. Kontroller ledningstilkoblingene på bevegelsesmodulen og på det logiske kretskortet. Bytt ut bevegelsesmodulen ved behov.
1	5	Åpneren summer i 1 -2 sekunder, ingen bevegelse	Åpne og lukke porten manuelt. Kontroller for stopp eller hindringer, for eksempel en ødelagt fjær eller portlås, korriger etter behov. Bytt ut det logiske kretskortet ved behov.
1	6	Porten beveger seg uventet etter at den har stoppet helt opp.	Programmer bevegelsen fram til den uventede bevegelsesposisjonen eller ha porten balansert av en faglært tekniker.
2	1-5	Ingen bevegelse eller lyd.	Bytt ut det logiske kretskortet.
3	1	Garasjeportåpneren beveger seg litt, og deretter stopper.	Aktiver garasjeportåpneren igjen. Hvis problemet vedvarer, skift det logiske kretskortet.
3	3	Lysdioden for batteristatus blinker grønt hele tiden.	Kretsfeil for lading av backup-batteri. Bytt ut det logiske kretskortet.
3	5	Garasjeportåpneren vil ikke lukkes og porten reverserer under bevegelsen.	Dersom det tidligere har vært montert to kabelspenningssensorer og én av dem er fjernet, koble fra og koble til åpneren tre ganger for å lære opp åpnerens sensor. <ul style="list-style-type: none"><li>• Sjekk for mulige hindringer for porten og fjern disse.</li><li>• Sjekk at kabelspenningssensoren er riktig koblet til åpneren.</li><li>• Bytt ut kabelspenningssensoren.</li></ul>



DIAGNOSTISK KODE		SYMPTOM	LØSNING
Opp-pil Blink(er):	Ned-pil Blink(er):		
4	1-4	Porten stopper og / eller reverserer.	Åpne og lukke porten manuelt. Kontroller for stopp eller hindringer, for eksempel en ødelagt fjær eller portlås, korrigerer etter behov. Dersom den stopper opp eller hakker, ta kontakt med en faglært tekniker i portsystemer. Dersom porten ikke stopper opp eller hakker, prøv å omprogrammere bevegelsen.
4	5	Åpneren går ca. 15-20 cm, stopper og går tilbake.	Kommunikasjonsfeil til bevegelsesmodulen. Sjekk kablingene til bevegelsesmodulen, bytt ut modulen ved behov.
4	6	Garasjeportåpneren vil ikke lukkes og lampen blinker.	Infrarøde fotoceller er feil justert eller midlertidig blokkert. Juster igjen begge sensorene for å sikre at begge lysdiodene er stabile og ikke flimrer. Pass på at ingenting henger eller monteres på porten som vil forstyrre sensorens bane under lukking.
5	5	Porten vil ikke lukke seg under bruk av Timer-to-Close eller MyQ Smartphone Control.	Fjernstyrt LED-lampe for MyQ må være installert for å kunne bruke TTC eller MyQ for å kontrollere porten. Koble til den fjernstyrte LED-lampen for MyQ og sjekk at den er programmert til garasjeportåpneren.

## 32 Feilsøking

### Garasjeportåpneren virker ikke fra hverken portkontrollen eller fjernkontrollen:

- Er strømmen koblet til garasjeportåpneren? Sett i en lampe i strømuttaket. Sjekk sikringsboksen eller bryteren hvis den ikke lyser. (Noen stikkontakter er styrt av en veggbryter.)
- Er alle portlåsene åpnet opp? Gå gjennom varslene i installasjonsinstruksjonene på side 5.
- Er ledningsstikkingene korrekte?
- Har det bygget seg opp snø eller is under porten? Porten kan ha fryst fast til bakken. Fjern enhver hindring.
- Garasjeportfjæren kan være ødelagt. Ha den skiftet ut (se punkt 3 Planlegging).

### Portåpneren virker fra en én-knapps kontrollstasjon, men ikke fra en fjernkontroll:

- Programmer fjernkontrollen på nytt og bytt ut batteriet om nødvendig. Repeter med alle fjernkontrollene.

### Porten åpner og lukker seg selv:

- Sjekk at alle skyveknappene på fjernkontrollen er av.
- Fjern ringeledningen fra enkeltknapp-kontrollstasjonen og bruk kun fjernkontrollen. Hvis dette løser problemet, er det en feil på enkeltknappskontrollstasjonen eller det er en intermitterende kortslutning på ledningen. Bytt ut kontrollstasjonen.
- Slett minnet og programmer alle fjernkontrollene på nytt (se instruksjonene som følger med fjernkontrollen eller besøk LiftMaster.eu).

### Fjernkontrollen aktiverer ikke garasjeporten:

- Sjekk at ikke låsefunksjonen er aktivert på portkontrollen.
- Programmer fjernkontrollen på nytt.
- Hvis fjernkontrollen fortsatt ikke aktiverer porten, må du sjekke diagnosekodene for å sikre at garasjeportåpneren fungerer som den skal.

### Fjernkontrollen har kort rekkevidde:

- Bytt plasseringen av fjernkontrollen i bilen din.
- Enkelte installasjoner kan ha kortere rekkevidde på grunn av en metallør, isolering med folie, eller sidevegg med metall i garasjen.

### Porten åpner seg ikke helt:

- Sjekk strømløsløsningen til portlåsen.
- Er det noe som hindrer porten? Er den i ubalanse eller har den ødelagte fjærer? Fjern hindringen eller reparer porten.

### Porten kan åpnes men ikke lukkes:

- Kontroller at kabelspenningssensoren er riktig installert. Hvis én av to kabelspenningssensorer er fjernet, følg instruksjonene for å programmere på nytt med én enkelt spenningssensor (se punkt 14).
- De infrarøde fotocellene må være tilkoblet og riktig justert før garasjeporten vil bevege seg i lukkeretningen. Hvis du er i stand til å lukke porten med en konstant kraft, må du kontrollere at de infrarøde fotocellene er riktig installert, justert og uten hindringer.
- Hvis lampene på garasjeportåpningen blinker, kontroller de infrarøde fotocellene.
- Hvis garasjeportåpneren ikke blinker og det er en ny installasjon (se punkt 14). Ved en eksisterende installasjon, se under. Gjøenta testen for sikkerhetsreversering etter at justeringen er fullført.

**Porten reverserer uten noen tilsynelatende grunn, og garasjeportåpnerens lamper blinker ikke:**

- Kontroller at kabelspenningssensoren er riktig installert. Hvis en av kabelspenningssensorene er fjernet skal begge sensorene trekkes ut fra åpneren. Plugg deretter inn den sensoren du ønsker å bruke, og deretter trekkes ut og plugges inn åpneren tre ganger for å nullstille sensoren til åpneren. Motstanden på 1k som følger med er kun for feilsøking av CTM. I henhold til EN12453 må en kabelspenningssensoren være installert for å kunne åpne på en riktig påvisning av slakk kabel.
- Er det noe som hindrer porten Trekk i nødutløserhåndtaket. Åpne porten manuelt. Dersom den er i ubalanse eller stopper opp, ta kontakt med en faglært tekniker i portsystemer.
- Fjern eventuell is eller snø fra garasjeglulv-området der porten lukkes.
- Se punkt 20 på nytt.

Repetér sikkerhetsreverseringstesten etter justering.

**Porten vil ikke lukke seg og lampen blinker:**

De infrarøde fotocellene må være tilkoblet og riktig justert før garasjeportåpneren vil bevege seg i lukkeretningen.

- Kontroller at de infrarøde fotocellene er riktig installert, justert og frie for enhver hindring.

**Garasjeportåpneren går tungt under betjeningen av porten:**

- Porten kan være i ubalanse eller fjærene kan være ødelagt. Lukk porten og bruk nødutløserhåndtaket for å koble fra porten. Åpne og lukk porten manuelt. En riktig balansert port vil stå rolig i et hvilket som helst punkt av bevegelsen mens den støttes helt av fjærene. Hvis den ikke gjør det, må du koble fra garasjeportåpneren og ta kontakt med en tekniker i portsystemer.

**Garasjeportåpnerens motor summer en kort stund, deretter virker den ikke:**

- Garasjeportfjærene kan være ødelagt. Se over.
- Dersom problemet oppstår ved første bruk av garasjeportåpneren kan det være at porten er låst. Deaktiver den strømstyrte portlåsen.

**Garasjeportåpneren vil ikke virke på grunn av mangel på strømtilførsel:**

- Åpne den strømstyrte portlåsen manuelt.
- Bruk nødutløserhåndtaket for å koble fra porten. Porten kan åpnes og lukkes manuelt. Når strømmen er gjenopprettet, trekk i det manuelle utløserhåndtaket én gang til.
- Deaktiver alle portlåser. Bruk nødutløserhåndtaket for å koble fra porten. Porten kan åpnes og lukkes manuelt.

**Porten mister grensene:**

- Kragen er ikke skikkelig festet. Fest kragen og programmer grensene på nytt (se punkt 20).

**Garasjeportåpneren beveger seg når porten er i bruk.**

- Noen mindre bevegelser er normalt for dette produktet. Hvis den er overdreven, vil kragen slites ned for tidlig.
- Sjekk at torsjonsstangen ikke beveger seg for mye til venstre / høyre.
- Kontroller at torsjonsstangen ikke synlig beveger seg opp og ned når den roterer.
- Kontroller at åpneren er montert i rett vinkel mot drivakslingen. Dersom dette ikke er tilfelle må monteringsbrakettens posisjon forandres.

**Kontakten til den automatiske portlåsen passer ikke til portåpnerpluggen:**

- Eldre modeller av 24V portlåser er ikke kompatible. Bruk automatisk portlås modell 841EU, se siden for tilbehør

**Den automatisk garasjeportlåsen aktiveres ikke når garasjeporten åpnes eller lukkes:**

- I batteri-backup-modus vil den automatiske garasjeportlåsen låses opp når garasjeporten er åpnet, og vil forbli deaktivert til strømmen er gjenopprettet.

**Portåpneren gir fra seg et pipesignal:**

- Indikerer uovervåket lukking. Åpneren har blitt aktivert av MyQ-appen eller garasje- og inngangssensoren.
- En kontinuerlig oransje lysdiode med et pipesignal omtrent hvert 2. sekund indikerer at garasjeportåpneren er på batteridrift.
- En blinkende oransje lysdiode med et pipesignal omtrent hvert 30. sekund indikerer at batteriet er svakt.
- En kontinuerlig rød lysdiode med et pipesignal hvert 30. sekund indikerer at 12V-batteriet ikke lenger kan holde på ladingen og må skiftes ut.

**Garasjeporten gir fra seg pipesignaler og den røde lysdioden blinker:**

- Ladingen i batteriet er lavt eller det er tomt.
- Bytt ut batteriet.

**MyQ Smartphone Control, trådløs MyQ-enheter, og Timer-To-Close vil ikke virke:**

- Når du er i batteri-backup-modus, vil MyQ Smartphone Control og trådløse MyQ-enheter og Timer-To-Close bli deaktivert.
- Fjernstyrt LED-lampe for MyQ må være installert for å kunne bruke Time-To-Close eller MyQ Smartphone Control for porten. Koble til den fjernstyrte LED-lampen for MyQ og sjekk at den er programmert til garasjeportåpneren. Det kan ta opptil 5 minutter å aktivere Timer-to-Close og MyQ Smartphone Control.

### 33 Valgfritt tilbehør

Bruk alltid tilbehør fra LiftMaster.

Eksterne produkter kan forårsake funksjonsfeil.

1.	TX4UNIF	4-kanals universell fjernkontroll
2.	TX4EVS	4-kanals fjernkontroll
3.	TX4UNI/S	4-kanals universell fjernkontroll
4.	128EV	Trådløs veggkontroll 2 kanaler
5.	747EV	Tastatur
6.	78EV	Kablet multifunksjonell veggkontroll
7.	FLA-1LED	Blinkende lamper
8.	772E	Fotoceller
9.	100034	Nøkklebryter (montert innfelt)
10.	100041	Nøkklebryter (overflatemontert)
11.	829EV	GARASJEPORTSENSOR
12.	485EU	Batteri-backup
13.	827EV	FJERNSTYRT LED-LAMPE FOR MYQ:
14.	041A9264	Kabelspenningssensor 041A92642.
15.	841EU	Automatisk portlås

### 34 Tekniske data

Inngangsspenning	230-240 VAC, 50 Hz
Maks. moment	36 Nm - AC + Battery 29 Nm - AC only
Nominelt moment	10 Nm
Strøm	150 W
Standby-strøm	2.6 W
Motortype	DC girmotor kontinuerlig smøring
Støynivå	57dB
Bevegelsehastigheter	21 rpm (down), 36 rpm (up)
Personikkerhet	Trykkknapp og automatisk stopp i retning ned. Trykkknapp og automatisk stopp i retning opp.
Elektronisk	Automatisk kraftregulering
Elektrisk	Overbelastningsvern for transformator og lavspenningskoblet trykkknapp.
Grenseenhet	Optisk O/MIN/endepunktsensor.
Grensejustering	Elektronisk, semi- og helautomatisk.
Startkrets	Lavspent krets for trykkknapp.
Maks. port høyde	3 m
Maks. port bredde	5,5 m
Maks. port areal	16.5 m <sup>2</sup>
Maks. port vekt	130 kg
Hengende vekt	11 kg
Mottaker-minneregistre	64
Driftsfrekvens	433 / 868 MHz, 2.4 GHz

## 35 Sikkerhets- og vedlikeholdsguide for automatisk garasjeportåpner

### GARASJEPORTÅPNERENS SIKKERHET – EN AUTOMATISK BESLUTNING

En garasjeport er den største bevegelige delen i hjemmet ditt. En feiljustert garasjeport og åpner kan utøve en dødelig kraft når porten lukkes - noe som kan føre til at barn eller voksne blir klemt med påfølgende personskader eller dødsfall.

Riktig installasjon, drift, vedlikehold og testing av garasjeporten og den automatiske åpneren er nødvendig for å gi et trygt, problemfritt system. Uforsiktig drift eller å tillate at barn leker med eller bruke kontrollen for garasjeportåpneren er også farlige situasjoner som kan føre til tragiske resultater. Noen få enkle forholdsregler kan beskytte familien din og vennene dine mot potensielle skader. Vennligst les igjennom sikkerhets- og vedlikeholdstipsene i denne brosjyren nøye og ta vare på den for senere referanse. Kontroller driften av garasjeporten og åpneren for å sikre at de fungerer på en sikker og problemfri måte. Sørg for å lese all viktig sikkerhetsinformasjon som finnes i manualen for garasjeportåpneren, da den gir mer informasjon og sikkerhetshensyn enn det som finnes i denne brosjyren.

#### Garasjeportåpnerer er Ikke leketøy

Snakk om sikkerheten ved garasjeporten og åpneren med barna dine. Forklar faren for å bli klemt under porten.



**Hold dere unna en port i bevegelse.**



**Hold sendere og fjernkontroller utilgjengelig for barn. Ikke la barn leke med eller bruke sendere eller endre fjernkontroll-enheter.**



**Den veggmonterte trykknappen må være utilgjengelig for barn, minst 5 fot fra nærmeste gulvoverflate og vekk fra alle bevegelige deler. Monter og bruk knappen der du klart kan se at garasjeporten lukker seg.**



**Hold porten i syne til den er helt lukket når du bruker veggmontert trykknapp eller sender.**

## 36 Rutinevedlikehold kan forhindre tragedier

La månedlig inspeksjon og testing av garasjeporten og åpnersystemet være en del av din vanlige rutine. Gå gjennom brukermanualen til både porten og portåpneren. Ta kontakt produsent(e) og be om en kopi for din(e) spesifikke modell(er) dersom du ikke skulle ha brukermanualene. Se modellnummeret for åpneren på baksiden av strømenheten.



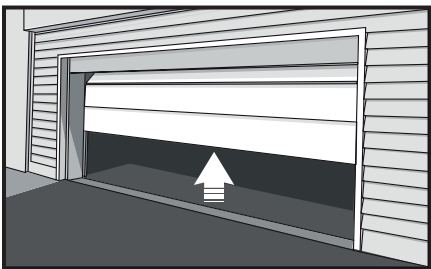
**ADVARSEL – Fjærene står under høy spenning.  
Kun kvalifisert personale kan justere dem**

### Foreta en visuell sjekk av porten og installasjonen:



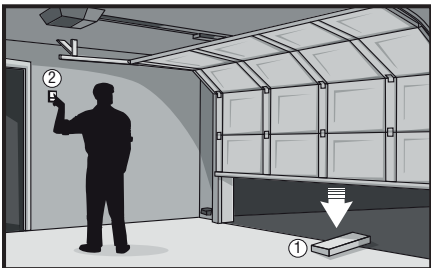
- Start med porten i lukket stilling, bruk den manuelle frakoblingen på åpneren for å koble fra porten.
- Se etter tegn på slitasje eller skade på hengsler, ruller, fjærer og portpaneler.
- Disse delene kan kreve periodisk smøring. Sjekk i brukermanualen for foreslått vedlikehold.
- Hvis det er tydelig tegn på skade, må du kontakte en faglært tekniker i portsystemer for å få hjelp.
- Sjekk at høyden på fotocellen ikke er høyere enn 6 tommer garasjegulvet.

### Sjekk at porten fungerer på riktig måte:



- Åpne og lukk porten manuelt ved hjelp av håndtakene eller andre passende gripepunkter.
- Porten skal bevege seg fritt og uten problemer.
- Porten skal være i balanse og kunne være delvis åpen 3-4 fot over gulvet.
- Hvis det er tydelige tegn på feil drift, må du kontakte en faglært tekniker i portsystemer for å få hjelp.

### Test funksjonene til åpneren:



- Koble åpneren til porten igjen ved hjelp av manuell kobling og åpne porten.
- Plasser et 40 mm høyt bord flatt i portens bevegelsesområde (1) og prøv å lukke den (2). Porten skal stoppe når den kommer i kontakt med bordet og deretter fortsette i omvendt retning.
- Blokker fotocellesensoren ved å vifte med en gjenstand foran sensoren og forsøk å lukke porten. Porten burde ikke lukke seg med mindre den veggmonterte trykknappen holdes manuelt nede under operasjonen.
- Dersom åpneren ikke oppfører seg som beskrevet, må du kontakte en faglært tekniker i portsystemer for å få hjelp.

**Obs:**

De ursprungliga installations- och bruksanvisningarna är på engelska.

Alla andra språk är en översättning av den ursprungliga engelska versionen.

<b>1</b>	Allmänna säkerhetsriktlinjer.....	2
<b>2</b>	Avsedd användning.....	3
<b>3</b>	Planera porten.....	3
<b>4</b>	Planera för MyQ.....	3
<b>5</b>	Förbereda garageporten.....	4
<b>6</b>	Nödvändiga verktyg.....	4
<b>7</b>	Innehållsförteckning.....	4
<b>8</b>	Nödvändiga tillbehör.....	4
<b>9</b>	Fäst kragen i portöppnaren.....	5
<b>10</b>	Fästa monteringsfästet i portöppnaren.....	5
<b>11</b>	Positionera och monter garageportöppnaren.....	5
<b>12</b>	Montera nödöppnarrepet och -handtaget.....	5
<b>13</b>	Installera det automatiska portlåset.....	6
<b>14</b>	Kabelspänningsmätaren (041A9264) (nödvändigt tillbehör).....	6
<b>15</b>	Installera den fjärrstyrda MyQ-lampan (endast konstruerad för torra utrymmen).....	7
<b>16</b>	Elektrisk anslutning.....	7
<b>17</b>	Installera fotoceller.....	7
<b>18</b>	STRÖMSÄTTA.....	8
<b>19</b>	Installera reservbatteriet (tillval).....	8
<b>20</b>	Programmera rörelsen.....	9
<b>21</b>	Testa säkerhetshöjningen.....	9
<b>22</b>	Öppna porten manuellt.....	10
<b>23</b>	Använda portöppnaren.....	10
<b>24</b>	Ansluta med din smarttelefon.....	12
<b>25</b>	Programmera din öppnare och fjärrkontroll / trådlös knapp / trådlöst tangentbord (tillval).....	13
<b>26</b>	Programmera den fjärrstyrda MyQ-lampan.....	13
<b>27</b>	Radera minnet.....	14
<b>28</b>	Underhåll av din portöppnare.....	14
<b>29</b>	Byta ut fjärrkontrollens batterier.....	14
<b>30</b>	Bortskaffande.....	15
<b>31</b>	Felsökningstabell.....	15
<b>32</b>	Felsökning.....	16
<b>33</b>	Extra tillbehör.....	18
<b>34</b>	Tekniska specifikationer.....	18
<b>35</b>	Säkerhets- och underhållsmanual för automatisk garageportöppnare.....	19
<b>36</b>	Rutinunderhåll kan förhindra tragedier.....	20

# VARNING!

## BÖRJA MED ATT LÄSA DESSA VIKTIGA SÄKERHETSANVISNINGAR

### 1 Allmänna säkerhetsriktlinjer

Innan du påbörjar installationen:

Läs bruksanvisningarna, i synnerhet varningarna. Spara bruksanvisningen för framtida bruk och lämna över den till eventuella efterföljande ägare. Följande symboler används bredvid instruktioner som avser att förhindra personskador och egendomsskada. Läs sådana instruktioner noga.



#### VARNING

Personskada eller egendomsskada



#### VARNING

Farlig ström eller spänning

#### Viktig säkerhetsinformation

Det automatiserade portöppningssystemet har testats och designats för att vara säkert att använda, men det enda sättet att garantera din säkerhet är genom att noga följa säkerhetsanvisningarna nedan när systemet installeras och används. Denna produkt får endast installeras av behöriga garageporttekniker. Denna produkt kan behöva justeras efter fjädrar och/eller skenor. Denna produkt är inte avsedd att användas för låga skenor med extern trumma eller garageportar som använder sträckfjädrar.

- Installatören (specialist) måste noga läsa och förstå dessa instruktioner innan någon del av arbetet påbörjas. Innan garageporten används för första gången och minst en gång om året måste en specialist kontrollera alla motordrivna fönster, dörrar och portar för att avgöra om de är säkra att använda. En specialist är en person som tack vare sin tekniska utbildning och erfarenhet har tillräckliga kunskaper om motordrivna fönster, dörrar och portar, samt är bekant med alla tillämpliga säkerhetsföreskrifter och allmänt vedertagna tekniska regler, för att kunna bedöma om motordrivna fönster, dörrar och portar är säkra att använda.
- Installatören måste vara bekant med följande standarder: EN 13241, EN 12604, EN 12453. Den utbildade specialisten/experten måste förklara följande för användaren:
  - Motorns funktioner och risker, samt hur den manuella nödupplåsningen fungerar
  - Regelbundet underhåll, kontroller och skötsel, samt hur motorn används.
  - Efter att motorn har installerats, lämnar installationsansvarige en EG-försäkran om överensstämmelse för portsystemet i enlighet med maskindirektivet 2006/42/EG. CE-märkningen och typskylten måste monteras på portsystemet.
  - Detta gäller även om en manuell port eftermodifieras. Dessutom måste överlämningsprotokollet och kontrollboken fyllas i.
- Porten måste vara balanserad. Orörliga eller fastnade portar måste repareras. Obalanserade garageportar, fjädrar, kablar, skivor, fasten och skenor är under extrem belastning, vilken kan orsaka allvarliga skador. Försök aldrig lossa, flytta eller justera porten, utan kontakta ett servicecenter eller en portspecialist.
- Medan portöppnaren installeras eller underhålls, bär inte smycken, klockor eller lösa kläder.
- För att förhindra att någon skadar sig på grund av att de fastnar i mekanismen, tar du bort alla kablar och kedjor från porten innan portöppnaren installeras.
- För installationen och ledningsdragningen måste alla lokala bygg- och elföreskrifter följas.
- Kabeldragmätaren installeras enligt EN12453.
- För att undvika att lätta dörrar eller portar skadas (såsom dörrar och portar gjorda av glasfiber, aluminium eller stål), bör lämpliga förstärkningar användas. Kontakta dörstillverkaren angående detta.
- Det automatiska säkerhetsbacksystemet måste testas. Om det kommer i kontakt med ett 40 mm högt hinder på barken, MÅSTE garageporten rullas upp igen. Om portöppnaren inte justeras korrekt kan det orsaka allvarliga personskador när porten stängs. Gör testet igen varje månad och gör eventuella nödvändiga justeringar.
- Systemet får inte installeras i fuktiga eller våta miljöer.
- Porten får inte under några omständigheter blockera allmänna vägar eller passager.
- För att påminna användarna om att använda porten på ett säkert sätt, bör en varningsskylt om att skydda barnen sättas upp över den upplysta strömbrytaren. Varningsskyltarna om risken för att fastna i mekanismen måste placeras så att de syns tydligt.
- Barn måste hållas under uppsikt för att säkerställa att de inte leker med anordningen. Låt inte barn använda knapparna eller fjärrkontrollen. Låt inte barn leka nära porten.
- Denna anordning är inte avsedd att användas av personer (inklusive barn) med begränsad fysisk, sensorisk eller mental förmåga samt bristande erfarenhet/kunskap utan uppsikt från en person med ansvar för deras säkerhet och som vet hur anordningen fungerar.
- Alla hinder/lås måste avaktiveras för att förhindra att porten skadas.
- Vid behov MÅTE den installerade kontrollutrustningen placeras inom synhåll för porten och utom räckhåll för barn. Barn får inte använda knapparna eller fjärrkontrollen. Om portöppnaren missbrukas kan det orsaka allvarliga skador.
- Portöppnaren får bara användas om användaren kan se hela portområdet, garanterar allt det är fritt från hinder och att portöppnaren är korrekt inställd. Ingen får gå genom portöppningen medan porten rör på sig. Barn får inte leka i närheten av porten.
- Använd först den manuella frigöringen om kassetten lossnar från motorn, och om möjligt ENDAST om porten är stängd. Använd inte det röda handtaget för att dra ner eller skjuta upp porten.
- Innan du utför några reparationer eller tar bort några skydd, måste portöppnaren kopplas bort från elnätet. Alla reparationer och elinstallationer får endast utföras av en behörig elektriker.

- Denna produkt har en transformator med en särskild sladd. Om den skadas måste den bytas ut mot en originaltransformator av en behörig tekniker.
- Nödfrigöringen kan orsaka okontrollerade rörelser i porten, och om fjädrar försvagas eller går sönder blir porten obalanserad.
- Nödfrigöringshandtaget får inte monteras högre upp än 1,80 m.
- Stängningsstimern (TTC: Timer-to-Close), appen MyQ Smartphone Control, och garageport- och garageportmätare är exempel på att porten stängs om ingen är i närheten, och de får ENDAST användas med sektionsportar. Eventuella anordningar eller funktioner som gör att porten stängs utan att någon befinner sig inom synhåll från porten räknas som att den stängs utan uppsikt. Stängningsstimern (TTC: Timer-to-Close), kontrollappen MyQ för smarttelefoner och andra MyQ-anordningar får ENDAST användas med sektionsportar.
- Enheten får inte användas om det finns en skjutdörr i garagedörren.

Spara denna bruksanvisning.

## 2 Avsedd användning

Anordningen är avsedd att användas för att öppna och stänga portar som använder en torsionsstav och fjädrar (se avsnitt 3 "Planering"). Anordningen är inte avsedd för kommersiellt bruk, utan är endast avsedd att användas med privata garageportar av lämplig typ för enskilda hushåll. Om motorn används på fel sätt kan det öka olycksrisken. Tillverkaren tar inget ansvar för sådan användning. Endast LiftMasters originaltillbehör får användas med motorn. Automatiserade portar som använder denna motor måste uppfylla alla internationella, landspecifika och lokala standarder, riktlinjer och föreskrifter (EN 13241, EN 12453 och EN 12604).

## 3 Planera porten

Se över området och avgör om någon av nedanstående villkor föreligger.

Beroendes på dina behov kan ytterligare material krävas.

### DENNA PORTÖPPNARE ÄR KOMPATIBEL MED:

- Portar som använder torsionsstavar och fjädrar. Torsionsstaven måste ha en diameter på 25,4 mm. Den är INTE kompatibel med trummor med omvänd upprullning.
- Endast 80-120 mm trummor, får ej användas med trummor större än 120 mm.
- Sektionsportar upp till 3 m i längd normaltlyft.
- Upp till 5,5 m breda portar.
- Upp till 16,5 m<sup>2</sup> stora portar.

*OBS: Kontrollera torsionsstängningen medan porten höjs och sänks. Det får inte förekomma någon märkbar rörelse upp och ner eller till höger och vänster. Om rörelsen inte åtgärdas kommer portöppnarens livslängd att minska kraftigt.*

Granska och kontrollera det tilltänkta installationsutrymmet. Portöppnaren kan installeras till vänster eller höger om porten. Välj sidan som uppfyller kraven nedan.

- a. Minst 6,4 cm mellan väggen och mitten av torsionsstängningen.
- b. Minst 7,6 cm mellan taket och mitten av torsionsstängningen.
- c. Minst 21,6 cm mellan sidoväggen (eller hinder) och slutet av torsionsstängningen.
- d. Torsionsstängningen måste sträcka sig minst 3,81 cm förbi lagret. Detta kan variera beroendes på dina installationskrav.
- e. Det måste finnas ett eluttag inom 1,83 m av installationsområdet. Om det inte finns något eluttag, kontaktar du en behörig elektriker.

## 4 Planera för MyQ

Öppnaren kan styras med MyQ - vilket kräver att Photoeyes installeras. Du kan kontrollera och styra din garageport var du än befinner dig med appen MyQ.

### INNAN DU BÖRJAR:

Du behöver:

- Smarttelefon, datorplatta eller bärbar dator med Wi-Fi
- Bredbandsuppkoppling
- Wi-Fi-signal i garaget (2,4 Ghz, 802.11b/g/n krävs)
- Lösenordet till ditt hemnätverk (routerns huvudkonto, inte gästnätverket)

### TESTA WI-FI-SIGNALSTYRKAN

Se till att din mobila enhet är ansluten till ditt Wi-Fi-nätverk. Se till att din mobila enhet inte lämnar området medan portöppnaren installeras och kontrollera Wi-Fi-signalstyrkan.

### Wi-Fi-signalen är stark.

Portöppnaren ansluter till ditt Wi-Fi-nätverk.

### Wi-Fi-signalen är svag.

Portöppnaren kan försöka ansluta till ditt Wi-Fi-nätverk. Om den misslyckas, pröva du metoderna nedan för att förbättra Wi-Fi-signalen:

### No Wi-Fi signal.

Portöppnaren kan inte ansluta till ditt Wi-Fi-nätverk. Prova någon av metoderna nedan för att förbättra Wi-Fi-signalen:

- Flytta routern närmare portöppnaren för att minska störningar från väggar och andra föremål
- Köp en trådlös förlängare



## 5 Förbereda garageporten



**WARNING:** Kontakta ALLTID en behörig portsystemtekniker om din garageport fastnar eller inte är balanserad. En obalanserad garageport riskerar att INTE höjas när det behövs. Försök ALDRIG lossa, flytta eller justera garageporten, fjädrarna, kablarna, blocken, fästena eller någon del av utrustningen, då de ALLA har EXTREMT stor kraft bakom sig. Lossa ALLA spärrar och avlägsna ALLA rep anslutna till garageporten INNAN portöppnaren installeras för att undvika att de trasslar in sig. Öppnarsystemet har en funktion som gör att den stänger sig om ingen är närheten. Porten kan röra sig plötsligt. **KORSA ALDRIG PORTEN OM DEN RÖR PÅ SIG.**

### INNAN DU BÖRJAR:

- Lossa alla spärrar.
- Avlägsna alla rep som är anslutna till garageporten.

Utför följande tester för att kontrollera att garageporten är balanserad och inte sitter fast:

- Lyft porten halvvägs upp. Släpp porten. Om den är balanserad kommer den inte att röra på sig och hålls uppe av sina fjädrar.
- Höj och sänk porten för att kontrollera att den inte fastnar.
- Portar som väger mer än 130 kg får INTE öppnas och falla snabbt.

Om porten fastnar eller är obalanserad, kontaktar du en behörig portsystemtekniker.

## 6 Nödvändiga verktyg

Följande verktyg krävs för att montera, installera och justera portöppnaren.

- |               |                               |
|---------------|-------------------------------|
| 1. Trappstege | 7. Skruvmejsel                |
| 2. Borr       | 8. Vattenpass                 |
| 3. MÅTTBAND   | 9. Snickerhammare             |
| 4. Trådsax    | 10. Hylsnyckel med förlängare |
| 5. Tänger     | 11. Skiftnyckel               |
| 6. Borrbits   | 12. Penna                     |

## 7 Innehållsförteckning

Om någon del saknas, söker du igenom förpackningsmaterialet noga.

### GARAGEPORTÖPPNARE

- |   |    |
|---|----|
| 1. Garageportöppnare, LM3800W             | 1x |
| 2. Automatisk garageportlås, 841EU        | 1x |
| 3. MONTERINGSFASTE                        | 1x |
| 4. KRAGE MED FÄSTSKRUVAR                  | 1x |
| 5. SÄKERHETSMÄRKNINGAR                    | 1x |
| 6. Fjärrkontroll med fyra knappar, TX4EVF | 2x |
| 7. MyQ fjärrstyrd LED-lampa. 827EV        | 1x |
| 8. Manuell                                |    |

### UTRUSTNING FÖR FJÄRRSTYRD LAMPA

- |                            |    |
|----------------------------|----|
| 9. Gipsplugg (skruv) 42 mm | 2x |
| 10. Skruv 27,85 mm         | 2x |

### UTRUSTNINGSPÅSE

- |                               |    |
|-------------------------------|----|
| 11. Skruv 15 mm               | 2x |
| 12. Skruv 54,8 mm             | 4x |
| 13. HANDTAG                   | 1x |
| 14. REP                       | 1x |
| 15. Skruv 15 mm               | 2x |
| 16. GIPSPLUGG (SKRUV) 36,8 MM | 4x |
| 17. Skruv 22 mm               | 2x |

## 8 Nödvändiga tillbehör

Kabelspänningsmätare 041A9264

Infraröda fotoceller (för MyQ-funktioner: 771EV, 772E, 771EVK eller G770E).

## 9 Fäst kragen i portöppnaren

För att slippa problem med installationen använder du inte portöppnaren innan instruktionerna uttryckligen säger att du ska göra det. Portöppnaren kan installeras på vardera sidan av porten (se avsnittet Planering). Bilder som visar hur installationen går till finns på illustrationsarket.

1. Lossa fästskruvorna.
2. Fäst kragen i portöppnarmotorns axel. Sidan av kragen med det stora hålet placeras på motoraxeln.
3. Skjut in kragen på axeln tills den stoppar.
4. Placera kragen så att skruvarna pekar utåt och går att komma åt när torsionsstaven har anslutits.
5. Dra åt de två skruvarna med fyrkanthål närmast motoraxeln genom att vrida skruvarna ett fjärdedels till ett halvt varv efter att de kommer i kontakt med motoraxeln.

## 10 Fästa monteringsfästet i portöppnaren



1. Fäst sidan av monteringsfästet med hål löst i samma sida av portöppnaren som kragen med de inkluderade skruvarna (11).

**OBS:** Dra inte åt skruvarna tills det uttryckligen anges i instruktionerna

## 11 Positionera och monter garageportöppnaren



**Betongpluggar MÅSTE användas om fästet ska monteras på murverk. Lossa, flytta eller justera ALDRIG garageporten, fjädrarna, kablarna, blocken, fästena eller deras tillhörande utrustning, då de alla har EXTREMT stor kraft bakom sig. Kontakta ALLTID en behörig portsystemtekniker/installatör/specialist om din garageport fastnar eller inte är balanserad. En obalanserad garageport riskerar att INTE höjas när det behövs. Portöppnaren MÅSTE monteras rätvinkligt mot torsionsstaven för att förhindra att kragen slits ut i förtid. Ta med alla lokala betingelser i beräkningen.**

**OBS:** För ytterligare monteringsalternativ, se tillbehörssidan.

1. Stäng garageporten helt.
2. Skjut portöppnaren till slutet av torsionsstaven. Om torsionsstaven är för lång eller skadad kan den behöva kapas. Se till att kragen INTE kommer i kontakt med lagret.
3. Använd ett vattenpass för att placera och rikta in portöppnaren. Kontrollera att monteringsfästet ligger på ett plant underlag som trä, betong eller portbeslag. Om det monteras på gipsvägg MÅSTE monteringsfästet sättas i en regel.
4. När portöppnaren ligger rätt, märker du ut monteringsfästets hål. Vid behov drar du åt kragsskruvarna på torsionsstavens för att hålla portöppnaren på plats medan du märker ut hålen. **OBS:** Portöppnaren måste inte ligga rakt mot väggen.
5. Ta bort portöppnaren från torsionsstaven. Borra 5 mm djupa hål på de utmärkta punkterna. Borra genom metallplattformarna vid behov.
6. Skjut portöppnaren bakåt på torsionsstaven tills hålen matchar fästet.
7. Dra åt de två skruvarna med fyrkantshål på torsionsstaven. Om torsionsstaven är ihålig, drar du åt skruvarna trekvarts till ett helt varv efter att de kommer i kontakt med staven. Om torsionsstaven är solid, drar du åt skruvarna trekvarts till högst ett halvt varv efter att de kommer i kontakt med staven. Om torsionsstaven är spårad, drar du INTE åt skruvarna i spåret.
8. Montera fästet på väggen och garageportöppnaren. Använd skruvarna (12) för att montera fästet på väggen.

## 12 Montera nödöppnarrepet och -handtaget



**Om möjligt, använd BARA nödöppningshandtaget för att frigöra porten om garageporten är STÄNGD: Försvagade eller trasiga fjädrar, eller om porten är obalanserad, kan göra att porten faller snabbt och/eller plötsligt om den är öppen. Använd ALDRIG nödöppningshandtaget om öppningen inte är fri från personer eller hinder.**

1. För in en ände av nödöppningsrepet genom handtaget. Se till sidan "MEDDELANDE" pekar uppåt. Säkra det med en knut minst 2,5 cm från slutet av repet för att förhindra att det glider ut.
2. För in den andra änden av nödöppningsrepet genom hålet i frigöringsarmen. Montera nödöppnaren inom räckhåll, men minst 1,83 m ovanför marken så att den inte riskerar att komma i kontakt med fordon av misstag, och säkra den med en knut.

**OBS:** Vid behov kan du kapa repet, och värmeförsegla den kapade änden med en tändsticka eller tändare för att förhindra att den repas upp.

## 13 Installera det automatiska portlåset

Det automatiska portlåset (modell 841EU) används för att förhindra att porten öppnas manuellt när den är helt stängd.

*OBS: Äldre modeller med 24 V portlås är inte kompatibla.*

1. Låset måste monteras inom 3,05 m av portöppnaren. Om möjligt, monterar du det på samma sida som portöppnaren.
2. Se till att skenan är ren och placera låsmallen på skenan så att skruvhålet ligger cirka 7,6 cm från mitten av en av portrullarna.
3. Borra hålen enligt mallen.
4. Fäst det automatiska portlåset på utsidan av portskenan med de inkluderade delarna.
5. Dra tråden upp längs väggen till portöppnaren. Använd isolerade klamrar (tillval) för att fästa tråden på flera olika ställen. För in tråden genom undersidan av portöppnaren.
6. Koppla in kontakten i något av uttagen på portöppnaren. Ett andra portlås (841EU) kan installeras på motsatta sidan av porten enligt instruktionerna ovan.

### TESTA AUTOMATISKA PORTLÅS

1. När porten är helt stängd bör den automatiska portlåsspinnen (B) skjutas ut från spåret.
2. Höja porten Det automatiska portlåset (A) ska dras tillbaka innan porten börjar röra sig.
3. Sänka porten När porten är helt stängd ska det automatiska portlåset lägga sig i sin låsta position för att säkra porten.

*OBS: Om det automatiska portlåset inte fungerar kan låset öppnas manuellt genom att skjuta det manuella öppningshandtaget (C) till den öppna positionen.*

## 14 Kabelspänningsmätaren (041A9264) (nödvändigt tillbehör)

Kabelspänningsmätaren MÅSTE anslutas och installeras korrekt innan portöppnaren kan sänkas. Kabelspänningsmätaren upptäcker MINSTA slakhet i kablarna och höjer porten, vilket gör att du slipper ringa efter service. Kabeldragmätaren installeras enligt EN12453.

*OBS: Kabelspänningsmätaren är levereras för att installeras på vänster sida. Om den ska installeras på höger sida, avlägsnar du seegerringen som håller rullen på plats och sätter tillbaka den på andra sidan av kabelspänningsmätaren.*

1. Se till att portkabeln ligger cirka 19 mm från monteringsunderlaget. Porten kan behöva justeras eller kompenseras för att uppnå rätt djup för portkabeln.
2. Placera kabelspänningsmätaren så att rullen ligger 5-15 cm från trumman och rullen sträcker sig 3-6 mm bortom kabeln. Se till att kabelspänningsmätaren ligger över ett tråstöd och att rullen inte är blockerad

*OBS: Det får inte finnas några hinder i installationsområdet som förhindrar att kabelspänningsmätaren stängs helt om den upptäcker att kabeln blir slak.*

3. Märk ut och borra 5 mm hål för skruvarna (hål krävs inte för pluggar).
  4. Fäst kabelspänningsmätaren i väggen med de inkluderade delarna. Se till att rullen ligger ovanpå kabeln.
  5. Dra tråden till portöppnaren. Använd isolerade klamrar för att fästa tråden.
  6. Anslut tråden till de gröna terminalerna (10 + 11) på portöppnaren (polerna spelar ingen roll).
- OBS: Kabeln måste förbli spänd under hela tiden porten rör sig. Se till att kabeln inte blir slak på motsatta sidan av porten vid normal användning. Om den blir slak medan porten rör sig, justerar du kablarna efter behov.*

Om två kabelspänningsmätare finns installerade kommer porten inte att sänkas eller höjas om någon av mätarna upptäcker att kabeln är slak eller har lossnat.

### TESTA KABELSPÄNNINGSMÄTAREN

1. Stäng porten helt och tryck på framsidan av kabelspänningsmätaren. Du bör höra ett klick. Om du inte hör något klick kan rullen gå in i karmen och förhindra att mätaren upptäcker att kabeln är slak. Se till att kabelspänningsmätaren ligger rakt mot väggen och att rullen inte är blockerad.

1k-resistor är endast avsedd för att felsöka CTM-konfigurationen. Enligt EN12453 måste kabelspänningsmätaren installeras för att känna av om kabeln är slak.

När kabelspänningsmätaren aktiveras kommer uppåt- och nedåtpilarna att blinka i felsökningskod 3-5.

## 15 Installera den fjärrstyrda MyQ-lampan (endast konstruerad för torra utrymmen)

Den fjärrstyrda MyQ-lampan är avsedd att kopplas in direkt i ett normalt 230 V eluttag. Välj en lämplig punkt på väggen eller taket för att montera lampan som ligger inom 1,83 m från ett vägguttag, detta för att hålla sladden och lampan borta från rörliga delar. Den fjärrstyrda MyQ-lampan krävs för att kunna använda funktionerna MyQ och stängningstimern (TTC: Timer-to-Close).

**OBS:** *If installing light on drywall and a ceiling joist cannot be located, use drywall anchors provided. No pilot hole is required for drywall anchors.*

1. Håll ett avstånd på 15,6 cm mellan hålen om lampan monteras på en regel.  
ELLER  
Håll ett avstånd på 15,6 cm mellan gipspluggarna om lampan monteras direkt i en gipsvägg.
2. Avgör hur mycket sladd som behövs för att nå närmaste vägguttag. Rulla upp eventuell överflödigt sladd runt sladdhållaren på ovensidan av lampans bas. Dra sladden genom kanalen så att lampans fäste ligger rakt mot väggen.
3. Öppna lampkupan.
4. Montera lampan med de inkluderade skruvarna (9+10).
5. Stäng lampkupan.
6. Koppla in lampan i vägguttaget.

**OBS:** *LED-lampan lyser väldigt starkt. Stirra INTE rakt in i lampan medan du står på en stege.*

Portöppnarens fjärrstyrda lampa kopplas till din öppnare i fabriken.

Eventuella extra eller nya fjärrstyrda lampor måste programmeras

## 16 Elektrisk anslutning



För att undvika att personer eller anordningen skadas, får portöppnaren endast användas i enlighet med instruktionerna i denna manual. Elkontakten måste alltid vara tillgänglig så att den kan kopplas bort från elnätet. Alla elinstallationer måste utföras av en behörig elektriker.

## 17 Installera fotoceller

### VIKTIG INFORMATION OM DE INFRARÖDA FOTOCELLERNA

Installationsanvisningar för de infraröda fotocellerna ingår i paketet och måste följas. **Fotocellerna säkerställer att porten förblir öppen om någon, i synnerhet små barn, befinner sig i närheten av porten.** När de har installerats och konfigurerats kan den infraröda fotocellsensorn upptäcka om något bryter dess ljusstråle. Sändaren avger en osynlig ljusstråle till mottagaren. Om något bryter dess ljusstråle medan porten stängs, stoppar porten och öppnas helt. Portöppnaren blinkar sedan 10 gånger.

För att kunna använda MyQ- och TTC-funktionerna måste sensorerna installeras i garaget så att sändaren och mottagaren ligger mitt emot varandra i portöppningen, och inte högre än 10 cm från golvet. De kan båda antingen installeras till höger eller vänster om porten förutsatt att solen inte faller direkt på mottagarens lins. Den osynliga strålen får inte blockeras. Ingen del av garageporten (portskenor, fjädrar, gångjärn, rullare eller annan utrustning) får bryta strålen

**OBS:** *Liftmaster rekommenderar att infraröda fotoceller alltid installeras för varje port. Om du vill använda MyQ- eller TTC-funktionerna kräver det att de infraröda fotocellerna är skadade.*

### ANSLUTA DE INFRARÖDA FOTOCELLERNA

1. Dra tråden från båda sensorerna till portöppnaren. Fäst tråden i väggarna och taket med klamrar.
2. Dra av 11 mm isolering från båda trådarna. Separera trådarna. Tvinna de vita trådarna. Tvinna de vita och svarta trådarna.
3. För in de vita trådarna i det vita uttaget på portöppnaren (4). För in de vita/svarta trådarna i det grå uttaget på portöppnaren. För att föra in eller ta ut trådarna från uttagen, trycker du in filen med spetsen på en skruvmejsel (5).

### SE TILL ATT DE INFRARÖDA FOTOCELLERNA ÄR KONFIGURERADE

#### Porten stängs inte om sensorerna inte har installerats och konfigurerats rätt.

Om ljusstrålen blockeras eller riktas fel medan porten stängs, kommer porten att öppnas och portöppnaren blinkar tio gånger. Om porten redan är öppen, stängs den inte. Sensorerna kan riktas in genom att lossa på vingmuttrarna, rikta in sensorerna och sedan dra åt vingmuttrarna igen.

1. Kontrollera att LED-lamporna i båda sensorerna lyser stadigt. LED-lamporna i båda sensorerna lyser stadigt om de är inriktade och korrekt anslutna

### TESTA DE INFRARÖDA FOTOCELLERNA

1. Öppna porten. Placera ett hinder i vägen för porten.
2. Tryck på knappen på fjärrkontrollen för att stänga porten. Porten rör sig inte mer än 2,5 cm och portöppnarens lampor blinkar 10 gånger. Portöppnaren kan inte stängas med fjärrkontrollen om lampan i någon av de infraröda fotocellerna ligger fel (detta märks genom att sensorn betar sig som att den är felriktad eller blockerad). **Om portöppnaren stänger porten medan den infraröda fotocellen är blockerad (och sensorerna är placerade högst 10 cm ovanför golvet), kontaktar du en behörig portsystemtekniker.**

## 18 STRÖMSÄTTA

För att slippa problem med installationen använder du inte portöppnaren samtidigt.

För att minska risken för elchock har din portöppnare en jordad kontakt. Denna kontakt passar endast jordade eluttag. Om kontakten inte passar något av dina uttag, kontaktar du en behörig elektriker och får ett uttag av rätt typ installerat.

Det finns bara ett sätt att ansluta elledningarna:

**NORMAL LEDNINGSDRAGNING**

Koppla in portöppnaren i ett jordat uttag.

## 19 Installera reservbatteriet (tillval)



För att minska risken för **BRAND** och **PERSONSKADOR**. Koppla bort **ALLA** strömkällor och batterier **INNAN** alla typer av service eller underhåll utförs. Använd **ENDAST** LiftMaster artikelnummer 485EU för att byta ut batteriet. **KASTA INTE** batterier i eld. Batterier kan explodera. Hör med din kommun eller närmaste återvinningscentral om hur du kastar dem.

I reservbatteriläge fungerar inte funktionerna MyQ smarttelefonstyrning och trådlösa MyQ-enheter. I reservbatteriläge låses garageportlåset automatiskt upp när garageporten öppnas, och förblir öppet tills strömmen återställs.

1. Koppla ur portöppnaren.
2. Använd en skruvmejsel för att ta av batteriluckan på portöppnaren.
3. Sätt delvis i batteriet i batterifacket med polerna utåt.
4. Anslut de röda (+) och den svarta (-) trådarna från portöppnaren till de motsvarande polerna på batteriet.
5. Sätt tillbaka batteriluckan.
6. Koppla in portöppnaren.

### BATTERISTATUSINDIKATOR (B)

#### GRÖN LAMPA:

Alla system är normala.

- Om lampan lyser grönt innebär det att batteriet är fullt.
- Om lampan blinkar grönt innebär det att lampan laddas.

#### ORANGE LAMPA:

Portöppnaren har ingen ström och har gått in i reservbatteriläge.

- Om lampan lyser orange och avger en ljudsignal cirka varje två sekunder, innebär det att portöppnaren går på batteriström.
- Om lampan blinkar orange och avger en ljudsignal cirka varje 30 sekunder, innebär det att batterinivån är låg.

#### RÖD LAMPA:

Portöppnarens 12 V batteri måste bytas ut.

Om lampan lyser rött och avger en ljudsignal varje 30 sekunder, innebär det att 12 V batterierna är slut och måste bytas ut. Byt ut batteriet för att fortsätta att använda reservbatterifunktionen.

**OBS:** Batteriet måste inte vara helt laddade för att du ska kunna använda portöppnaren.

## 20 Programmera rörelsen



Om gränsen för hur långt garageporten rör sig är felaktigt inställd kan det påverka säkerhetshöjningen. Om denna inställning ändras **MÅSTE** säkerhetshöjningen testas. Porten **MÅSTE** höjas om den kommer i kontakt med 40 mm höga föremål på marken. För att förhindra att fordon skadas bör porten kunna höjas så att det finns gott om plats under.

Rörelsegränsen avgör hur långt porten går när den höjs och sänks.

När du programmerar den kan uppåt- och nedåtknapparna användas för att flytta porten till de önskade positionerna.

1. Håll inne justeringsknappen (A) tills uppåtknappen (U) blinkar och/eller en ljudsignal hörs
2. Håll inne uppåtknappen (U) tills porten når den önskade höjda positionen.
3. När porten har nått den önskade höjda positionen, håller du inne justeringsknappen (A). Portöppnaren blinkar två gånger och nedåtknappen (D) börjar blinka.
4. Håll inne nedåtknappen (D) tills porten har nått den önskade sänkta positionen.
5. När porten har nått den önskade sänkta positionen, håller du inne justeringsknappen (A). Portöppnaren blinkar två gånger och uppåtknappen (U) börjar blinka.
6. Tryck på uppåtknappen (U). När porten har nått den programmerade höjda positionen, börjar nedåtknappen (D) blinka.
7. Tryck på nedåtknappen (D). Porten rör sig till den programmerade sänkta positionen. Programmeringen är klar.

Om portöppnaren blinkar fem gånger under något av stegen har tidsgränsen för programmeringen löpt ut. Om kabelspänningsmätaren inte är installerad eller om den märker att kabeln är slak, kommer portöppnaren att blinka fem gånger. Se till att kabelspänningsmätaren är korrekt installerad och följ sedan stegen för att programmera portens rörelse. Om portöppnaren blinkar tio gånger medan portens rörelse programmeras, är de infraröda fotocellerna felriktade eller blockerade. Om sensorerna är rätt inriktade och fria, höj och sänk porten helt med fjärrkontrollen eller uppåt- och nedåtknapparna. Programmeringen är klar. Om du inte kan höja och sänka porten, går du igenom stegen för att programmera portens rörelse igen.

## 21 Testa säkerhetshöjningen



Utän ett korrekt installerat säkerhetshöjningssystem kan personer (i synnerhet små barn) bli **ALLVARLIGT SKADADE** eller **DÖDADE** av garageporten när den stängs. Säkerhetshöjningen **MÅSTE** testas varje månad. Om denna inställning ändras **MÅSTE** säkerhetshöjningen testas. Porten **MÅSTE** höjas om den kommer i kontakt med 40 mm höga föremål på marken.

### TESTA

1. Medan porten är helt öppen placerar du en 40 mm hög bräda på golvet rakt under garageporten.
2. Tryck på knappen på fjärrkontrollen för att stänga porten. Porten **MÅSTE** vända och höja sig så fort den kommer i kontakt med brädan.

### JUSTERA

Om porten stoppar men inte höjs:

1. Gå igenom installationsanvisningarna och kontrollera att alla stegen har följts.
2. Upprepa programmeringen av portens rörelse (se justeringssteg 1, punkt 20).
3. Upprepa säkerhetshöjningstestet.

Om testet fortfarande misslyckas, kontaktar du en behörig portsystemtekniker.

### VIKTIG SÄKERHETSKONTROLL:

Testa säkerhetshöjningen om:

- Rörelsegränsen ändras.
- Porten repareras eller justeras (inklusive fjädrarna och resten av utrustningen).
- Golvet repareras eller buktar.
- Portöppnaren repareras eller justeras.

## 22 Öppna porten manuellt



Om möjligt, använd **BARA** nödöppningshandtaget för att frigöra porten om garageporten är **STÄNGD**: Försvagade eller trasiga fjädrar eller om porten är obalanserad kan orsaka att porten faller snabbt och/eller plötsligt. Använd **ALDRIG** nödöppningshandtaget om en person eller annat hinder befinner sig under porten.

Koppla bort eventuella portlås innan du fortsätter. Stäng porten helt om möjligt. Dra ner nödöppningshandtaget tills du hör ett klickande ljud från portöppnaren och lyft sedan porten för hand. För att koppla porten till portöppnaren igen, drar du nödöppningshandtaget rakt nedåt en andra gång tills du hör ett klickande ljud från portöppnaren. Porten kopplas till portöppnaren igen nästa gång den höjs eller sänks.

### TESTA NÖDÖPPNINGEN

1. Se till att porten är helt stängd.
2. Dra i nödöppningshandtaget. Du ska nu kunna öppna porten för hand.
3. Stäng porten igen.
4. Dra i nödöppningshandtaget en andra gång.
5. Koppla porten till portöppnaren igen.

## 23 Använda portöppnaren

### FUNKTIONER

Du kan använda portöppnarens funktioner för att styra din garageport.

### STÄNGNINGSVARNING

Stängningsvarningen ger en visuell signal om porten stängs eftersom ingen är i närheten.

### STÄNGNINGSTIMER (TTC)

Stängningstimern (TTC: Timer-to-Close) stänger automatiskt porten efter en viss tid, vilken kan ställas in om ditt portstyrsystem stöttar denna funktion (fotocell modell 771EV / 772E / 771EVK / G770E krävs). Innan och under tiden porten stängs kommer portöppnaren att blinka.

### AKTIVERA STÄNGNINGSTIMERN:

1. Tryck på den gula inlärningsknappen (L) fyra gånger.
2. Den gula inlärningslampan tänds
3. Ange stängningstiden i steg om 1/5/10 minuter med uppåt-pilen (U) och nedåt-pilen (D). Den gula inlärningslampan blinkar när du har valt en tid. Exempel: Om du väljer fem minuter, kommer den gula inlärningslampan att blinka fem gånger för att bekräfta ditt val.
4. Tryck på den rektangulära justeringsknappen (A) för att spara inställningen och avsluta programmeringsläget. När inställningen har sparats kommer MyQ fjärrstyrd LED-lampa att blinka EN gång för att bekräfta ditt val. När du programmerar stängningstimern får du inte vänta mer än 30 sekunder mellan att du trycker på en knapp. Annars kommer programmeringsläget att avslutas. Om programmeringsläget avslutas plötsligt kommer den tidigare inställningen att användas och den fjärrstyrda MyQ-lampan kommer att blinka FEM gånger.

För att avsluta programmeringsläget utan att spara inställningen, trycker du på inlärningsknappen (L) en gång.

### ÄNDRA STÄNGNINGSTIMERN:

1. Tryck på inlärningsknappen (L) fyra gånger.
2. Ange stängningstiden i steg om 1/5/10 minuter med uppåt-pilen (U) och nedåt-pilen (D). Den gula inlärningslampan blinkar när du har valt en tid.
3. Tryck på den rektangulära justeringsknappen (A) för att spara inställningen och avsluta programmeringsläget. När du har aktiverat funktionen kommer den fjärrstyrda MyQ-lampan att blinka EN gång för att bekräfta ditt val.

### AVAKTIVERA STÄNGNINGSTIMERN:

1. Tryck på inlärningsknappen (L) fyra gånger.
2. Tryck på justeringsknappen en gång för att spara inställningen.
3. När du har avaktiverat funktionen kommer den fjärrstyrda MyQ-lampan att blinka EN gång för att bekräfta ditt val. Om de infraröda strålarna bryts medan stängningstimern är aktiv och räknar ned, kommer stängningstimern att starta om.

## MyQ

Du kan använda MyQ för att styra portöppnaren från din mobil eller dator oavsett var du befinner dig. MyQ använder en radiosignal som låter portöppnaren och MyQ-kompatibla tillbehör kommunicera med varandra. Portöppnaren har en inbyggd gateway som gör att den använder ditt Wi-Fi-nätverk för att komma åt ditt MyQ-konto.

## INFRARÖDA FOTOCELLER

När de har installerats och konfigurerats kan den infraröda fotocellerna upptäcka om något bryter den infraröda strålen. Om något bryter den infraröda strålen medan porten stängs, stoppar porten och öppnas helt. Portöppnaren blinkar sedan 10 gånger. Om porten är helt öppen och infraröda fotoceller finns installerade men de är felriktade, kan porten inte stängas med fjärrstyrning. Du kan dock stänga porten om du håller nere knappen på portkontrollen eller använder det nyckelfria systemet tills porten är helt stängd. De infraröda cellerna påverkar inte porten när den öppnas.

## ENERGIBESPARING

För att spara energi går portöppnaren in i viloläge när porten är helt stängd. I viloläget stängs portöppnaren ner helt tills den aktiveras. Viloläget är kopplat till portöppnarens lampa, och när lampan stängs av stängs också sensorernas lysdioder av, och när portöppnarens lampa tänds kommer också sensorernas lysdioder att aktiveras. Portöppnaren går inte in i viloläget tills portöppnaren har genomgått fem cykler efter att ha startats.

## BELYSNING

Portöppnarens lampa tänds när öppnaren först kopplas in, när strömmen kommer tillbaka efter ett avbrott och när portöppnaren aktiveras. Lampan slöcknar automatiskt efter 4-1/2 minuter.

## LJUSFUNKTION

Portöppnaren har en funktion som gör att lamporna tänds när någon går igenom den öppna garageporten och bryter den infraröda strålen. Infraröda fotoceller 771EV / 772E / 771EVK / G770E måste finnas installerade för att kunna använda denna funktion.

## RESERVBATTERI (TILLVAL)

Reservbatteriet gör att du kan komma in och ut ur garaget även om strömmen har gått. Om portöppnaren går på batteriet kommer garageporten att öppnas långsammare, lampan tänds inte, batteriindikatorn lyser orange och en ljudsignal hörs cirka varje två sekunder.

## ANVÄNDA PORTÖPPNAREN

Portöppnaren kan aktiveras genom den väggkontrollpanelen, fjärrkontrollen, nyckelfritt tillträde eller MyQ-tillbehör. Om du aktiverar portöppnaren via radiostyrning eller väggkontrollpanelen:

- stänger porten om den är helt öppen
- öppnar porten om den är helt stängd
- stoppar porten om den öppnas eller stängs
- porten rör sig i motsatt riktning från den senaste slutförda rörelsen, om den är delvis öppen.

Om porten upptäcker ett hinder eller avbryts medan den öppnas kommer den att stanna. Om portöppnaren upptäcker ett hinder medan porten stängs, kommer porten att höjas. Om sensorstrålen bryts kommer portöppnarens lampa att blinka tio gånger. Du kan dock stänga porten om du håller nere knappen på portkontrollen eller använder det nyckelfria systemet tills porten är helt stängd. De infraröda cellerna påverkar inte porten när den öppnas.

## AKTIVERA OCH LÄSA AV CYKELRÄKNAREN:

1. Koppla bort strömmen från RJO för att aktivera detta läge.
2. Håll inne justeringsknappen (A) och inlärningsknappen (L) samtidigt efter att du återställer strömmen.
3. Uppåtknappens (U) lampa blinkar EN gång för varje HELA tusen slutförda cykler så länge justeringsknappen (A) och inlärningsknappen (L) hålls inne. Om RJO till exempel har genomgått 8756 cykler, kommer uppåtknappens lampa att blinka åtta gånger.

För att upprepa, kopplar du bort strömmen från RJO och börjar om.

**Ljussändare (med 78EV):** Kopplar en sändare till MyQ-fjärrkontrollen via väggkontrollpanelen.

Konfigurera en sändare till den fjärrstyrda MyQ-lampan:

1. Håll inne ljus- och läsknappen samtidigt.
2. Medan du håller inne båda knapparna, håller du inne knappen på sändaren tills RJO WorkLight blinkar en gång.
3. Efter att RJO WorkLight har blinkat en gång, släpper du alla knapparna

**Semesterläge** (kräver 78EV väggkontrollpanel). Fjärrstyrning fungerar inte om denna funktion är aktiverad. Se instruktionerna för 78EC.

**Nyckelfritt tillträde** (kräver 747EV trådlös knappsats): Ange en valfri fyrsiffrig kod för att styra porten.

**Tillfällig åtkomst** (kräver 747EV trådlös knappsats): En tillfällig kod kan ställas in för att ge begränsad åtkomst till garaget (begränsad tid eller begränsat antal öppnanden).

**Snabbstängning** (kräver 747EV trådlös knappsats): Låter porten stängas oavsett läge (öppnad) utan kod.



## 24 Ansluta med din smarttelefon

Wi-Fi®-garageportöppnaren är kompatibel med upp till 16 MyQ-kompatibla tillbehör. Upp till tio enheter kan parkopplas genom portöppnarens inbyggda gateway. Dessa enheter styrs i sin tur via MyQ-appen. Enheterna kan bestå av en kombination av MyQ-portöppnare, Wi-Fi-portöppnare, MyQ-belysning, MyQ-grindöppnare etc. En LiftMaster-gateway (828EV) kan läggas till om du behöver styra mer än tio enheter med MyQ-appen. Upp till sex enheter kan parkopplas med själva portöppnaren (vilka styrs via portöppnaren). Dessa enheter kan bestå av en kombination av MyQ-belysning eller en garageport- och grindöppnare.

### Du behöver:

- Smarttelefon, datorplatta eller bärbar dator med Wi-Fi
- Bredbandsuppkoppling
- Wi-Fi-signal i garaget (2,4 Ghz, 802.11b/g/n krävs)
- Lösenordet till ditt hemnätverk (routerns huvudkonto, inte gästnätverket)
- Portöppnarens MyQ-serienummer
- Infraröda fotoceller (tillval)
- MyQ fjärrstyrd LED-lampa (ingår)

### SYNKRONISERA PORTKONTROLLEN

För att synkronisera portkontrollen 78EV till portöppnaren, trycker du tryckrutan tills portöppnaren aktiverar (det kan ta upp till tre tryckningar). Portöppnaren måste gå igenom en komplett cykel innan Wi-Fi-programmeringsläget aktiveras.

### ANSLUTA DIN PORTÖPPNARE TILL DITT WI-FI-NÄTVERK

1. Tryck på den gula inlärningsknappen (L) på portöppnaren tre gånger. Portöppnaren låter en gång. Du har nu 20 minuter på dig att ansluta portöppnaren.
2. På din mobil går du till Inställningar > Wi-Fi och väljer nätverket som börjar med "MyQ".
3. Starta webbläsaren på din smarttelefon eller datorplatta. Ange [setup.myqdevice.com](http://setup.myqdevice.com) i adressfältet. Följ instruktionerna på skärmen för att ansluta din portöppnare till ditt Wi-Fi-nätverk. MyQ-serienumret visas på skärmen. Anteckna serienumret i fältet nedan.

4. Ladda ner MyQ-appen från App Store® eller Google Play™. Registrera eller logga in på ditt MyQ-konto och lägg MyQ-serienumret på ditt konto.

För att lägga till en andra Wi-Fi-portöppnare, upprepar du steg 1-3. Lägg till det andra MyQ-serienumret till ditt konto i MyQ-appen.  
*OBS: Portöppnaren kan inte styras med MyQ-appen om den drivs av reservbatteriet. För att radera Wi-Fi-inställningarna, se sidan 15*

En lampa (A) på portöppnaren visar dess uppkopplingsstatus. Se tabellen nedan

LAMPA	DEFINITION
BLÅ	Av - Wi-Fi är inte på. Blinkar - Portöppnaren är i Wi-Fi-inlärningsläge. Lyser - Mobilen är ansluten till portöppnaren.
BLÅ OCH GRÖN	Blinkar - Försöker ansluta till router.
GRÖN	Blinkar - Försöker ansluta till internetservern. Lyser - Wi-Fi har konfigurerats och portöppnaren är ansluten till Internet.

---

## **25** Programmera din öppnare och fjärrkontroll / trådlös knapp / trådlöst tangentbord (tillval)

Aktivera först öppnaren om rten syns tydligt, är helt fri och korrekt justerad. Ingen får gå in i eller lämna garaget medan porten rör på sig. Låt inte barn använda knapparna eller fjärrkontrollen. Låt inte barn leka nära porten. Din portöppnare och en av fjärrkontrollens knappar är förprogrammerade. Om du köper ytterligare fjärrkontroller måste portöppnaren programmeras för att ta emot de nya fjärrkontrollernas kod.

**KOPPLA MOTTAGAREN TILL YTTERLIGARE FJÄRRKONTROLLER:  
MED DEN RUNDA GULA KNAPPEN**

1. Tryck på den runda gula knappen (L) på öppnaren. Inlärningslampan kommer att lysa i 30 sekunder.
2. Du har 30 sekunder på dig att hålla inne knappen på fjärrkontrollen som du vill använda för att styra garageporten.
3. Släpp knappen när öppnaren blinkar en gång. Den har nu lärt sig fjärrkontrollens kod. Nu kan du styra porten med fjärrkontrollen. Om du släpper knappen på fjärrkontrollen innan öppnaren blinkar kommer öppnaren inte att lära sig koden

**KODLÅS**

1. Tryck på den runda gula knappen (L) på öppnaren. Inlärningslampan kommer att lysa i 30 sekunder.
2. Ange din valda fyrsiffriga personliga kod (PIN) på knappsatsen.
3. Tryck på knappen ENTER.
4. Portöppnaren kommer att blinka (eller avge två klickande ljud) när koden har registrerats. Upprepa stegen ovan för att koppla ytterligare fjärrkontroller eller kodlås. Om du inte lyckas, försöker du koppla fjärrkontrollen med inlärningsknappen.

**RADERA ALLA FJÄRRKONTROLLSKODER**

För att ta bort oönskade koder, börjar du med att radera alla koder: Håll inne den runda, gula knappen på öppnaren tills inlärningslampan slocknar (cirka 10 sekunder). Alla tidigare koder har nu raderats. Lägg till alla fjärrkontroller och kodlås du vill använda igen.

---

## **26** Programmera den fjärrstyrda MyQ-lampan

**Portöppnarens fjärrstyrda lampa kopplas till din öppnare i fabriken. Eventuella extra eller nya fjärrstyrda lampor måste programmeras.**

**KOPPLA EN PORTÖPPNARE TILL DEN FJÄRRSTYRDA MYQ-LAMPAN:**

1. Håll inne inlärningsknappen (L) på lampan tills den gröna lampan TÄNDS.
2. Tryck på inlärningsknappen (L) på portöppnaren.
3. Koden har sparats när fjärrkontrollens lampa blinkar en gång.

**KOPPLA EN FJÄRRKONTROLL TILL DEN FJÄRRSTYRDA MYQ-LAMPAN**

1. Håll inne inlärningsknappen (L) på lampan tills den gröna lampan TÄNDS.
2. Tryck på knappen på fjärrkontrollen som du vill använda för att styra lampan.
3. Koden har sparats när fjärrkontrollens lampa blinkar en gång.

För att koppla lampan till andra tillbehör, ser du manualen för tillbehöret i fråga.

**LÄGGA TILL DEN FJÄRRSTYRDA MYQ-LAMPAN TILL MITT MYQ-KONTO**

1. Håll inne inlärningsknappen (L) på lampan tills den gröna lampan TÄNDS.
2. Logga in på MyQ-appen och lägg till den fjärrstyrda MyQ-lampan.

**TA BORT ALLA KOPPLADE ENHETER FRÅN DEN FJÄRRSTYRDA MYQ-LAMPAN**

1. Håll inne inlärningsknappen (L) tills lampan slocknar (6-10 sekunder). Alla kopplade enheter har nu raderats.

---

## 27 Radera minnet

### RADERA ALLA FJÄRRKONTROLLER OCH KODLÅS

1. Håll inne inlärningsknappen (L) på portöppnaren tills lampan slockar (cirka 6 sekunder). Alla fjärrkontroller och kodlås har nu raderats. Lägg till alla tillbehör som du vill använda igen.

### RADERA ALLA ENHETER (INKLUSIVE MYQ-KOMPATIBLA TILLBEHÖR)

2. Håll inne inlärningsknappen (L) på portöppnaren tills lampan slockar (cirka 6 sekunder).
3. Håll sedan omedelbart inne inlärningsknappen igen tills inlärningslampan slocknar. Alla koder har nu raderats. Lägg till alla tillbehör som du vill använda igen.

### RADERA WI-FI-NÄTVERK FRÅN PORTÖPPNAREN

1. Håll inne den svarta justeringsknappen (A) på portöppnaren tills den avger tre ljudsignaler (cirka 6 sekunder).

### RADERA MYQ-KONTO

gå till [myliftmaster.eu](http://myliftmaster.eu) för att radera ditt MyQ-konto.

---

## 28 Underhåll av din portöppnare

### UNDERHÅLLSPLAN

#### VARJE MÅNAD

- Öppna och stäng porten för hand. Om den är obalanserad eller fastnar, kontaktar du en behörig porttekniker.
- Kontrollera att porten öppnas och stängs helt. Justera gränserna vid behov (se punkt 20 "Programmera rörelsen").
- Upprepa säkerhetshöjningstestet. Gör eventuella nödvändiga justeringar (se punkt 21 "Testa säkerhetshöjningen").

#### VARJE ÅR

- Olja rullarna, lagren och gångjärnen. Portöppnaren kräver inte ytterligare smörjning. Smörj inte portskenorna.

### MYQ FJÄRRSTYRD LED-LAMPA

- Koppla ur lampan innan du rengör den.
  - Använd en lätt fuktad trasa för att torka av lampan.
  - Använd inte flytande rengöringsmedel på lamphuset
- 

## 29 Byta ut fjärrkontrollens batterier

### Fjärrkontrollens batterier:

Fjärrkontrollens batterier har en extremt lång livslängd. Om räckvidden minskar måste batterierna bytas ut. Batterierna omfattas inte av garantin.

### Läs följande instruktioner för batterierna:

Batterier får inte kastas som hushållsavfall. Som konsument är du skyldig enligt lag att kasta batterier på utsedda uppsamlingspunkter. Försök aldrig ladda batterier som inte är avsedda att laddas.

### Risk för explosion!

Håll batterierna borta från barn, kortslut dem inte och ta inte isär dem. Uppsök läkare omedelbart om någon sväljer ett batteri. Vid behov rengör du kontaktarna på batteriet och enheten innan du sätter i dem. Ta omedelbart ut tomma batterier från enheten.

### Annars ökar risken för att de börjar läcka.

Utsätt aldrig batterier för höga temperaturer som solsken, eld eller liknande.

Annars ökar risken för att de börjar läcka.

Undvik kontakt med hud, ögon och slemhinnor. Skölj av alla delar som fått batterisyra på sig och kontakta en läkare omedelbart. Använd endast batterier av samma sort. Ta ut batterierna ur enheten om den inte ska användas under längre tid.

### Byta ut batterierna:

För att byta ut batterierna, vänder du på fjärrkontrollen och öppnar den med en skruvmejsel. Lyft på skalet och kontrollkortet under. Skjut batteriet åt ena sidan och ta ut det. Kontrollera åt vilket håll batteriet ligger. Sätt i ett nytt batteri i omvänd ordning.

### OBS!

Om batteriet läggs i på fel sätt finns det en risk för explosion. Byt endast ut batteriet mot ett annat av samma eller motsvarande sort (CR2032) 3 V.

## 30 Bortskaffande

Förpackningen kastas på din lokala återvinningsplats. Enligt EU-direktivet 2002/96/EC om avfall som utgörs av eller innehåller elektroniska produkter måste denna enhet kastas på rätt sätt så att den kan återvinnas.



Gamla ackumulatorer och batterier får inte kastas som hushållsavfall då de innehåller föroreningar och måste kastas på lokala uppsamlingsplatser eller i en särskild behållare hos din elektronikförsäljare. Alla nationella föreskrifter måste följas. Alla delar måste överlämnas till en återvinningscentral. Alla tillämpliga lokala och nationella föreskrifter måste följas. Uttjanta motordelar får inte kastas som hushållsavfall.

Din kommun eller ditt sophämtningsföretag kommer att informera dig om de olika alternativen för bortskaffande av anordningen.

## 31 Felsökningstabell

Portöppnaren har en felsökningsfunktion, och du kan använda uppåt- och nedåtpilarna på portöppnaren för att visa felkoderna.

FELKOD	PROBLEM	ÅTGÄRD	
Uppåtpil (Visar)	NEDÅTPIL VISAR		
1	1	Portöppnaren stängs inte och lampan blinkar.	Om de infraröda fotocellerna har installerats är de inte anslutna eller så kan ledningen ha kapats. Se om någon av sensorledningarna har kopplats ur eller kapats.
1	2	Portöppnaren stängs inte och lampan blinkar.	En av de infraröda fotocellernas ledningar är kortsluten eller omvänd. Kontrollera fotocellernas ledningar vid alla fästpunkter och anslutningspunkter, och byt ut eller fixa ledningen efter behov.
1	3	Portstyrningen fungerar inte.	Trådarna som styr porten är kortslutna, eller portstyrningen har drabbats av fel. Kontrollera fotocellernas ledningar vid alla fästpunkter och anslutningspunkter, och byt ut eller fixa ledningen efter behov.
1	4	Portöppnaren stängs inte och lampan blinkar.	Om de infraröda fotocellerna har installerats är de felinriktade eller tillfälligt blockerade. Rätta till båda sensorerna så att båda lysdioderna är stadiga och inte flackar. Se till att ingenting hänger eller är monterat på porten som kan komma i vägen för sensorerna när den stängs.
1	5	Porten rör sig 15 20 cm och stannar eller byter riktning.	Öppna och stäng porten för hand. Kontroller att den inte fastnar eller att något blockerar den, såsom en trasig fjäder eller ett trasigt lås. Åtgärda problemet vid behov. Kontrollera ledningarna till rörelsemodulen och styrkortet. Byt ut rörelsemodulen vid behov.
1	5	Ingen rörelse, utan bara ett klick.	Öppna och stäng porten för hand. Kontroller att den inte fastnar eller att något blockerar den, såsom en trasig fjäder eller ett trasigt lås. Åtgärda problemet vid behov. Byt ut styrkortet vid behov.
1	5	Öppnaren låter i 1-2 sekunder, men ingen rörelse	Öppna och stäng porten för hand. Kontroller att den inte fastnar eller att något blockerar den, såsom en trasig fjäder eller ett trasigt lås. Åtgärda problemet vid behov. Byt ut motorn vid behov.
1	6	Porten glider efter att den har stannat helt.	Programmera rörelsepositionen eller få porten balanserad av en behörig tekniker.
2	1-5	Varken rörelse eller ljud.	Byt ut styrkortet.
3	1	Portöppnaren rör sig en liten bit, men stannar sedan.	Aktivera portöppnaren igen. Om problemet kvarstår byter du ut styrkortet.
3	3	Batteriindikator blinkar konstant grönt.	Laddningsfel med reservbatteriet, byt ut styrkortet.
3	5	Portöppnaren stängs inte eller porten vänder riktning medan den rör sig.	Om två kabelspänningsmätare fanns installerade och en har tagits bort, kopplar du ur och kopplar in öppnaren tre gånger för att koppla mätaren till öppnaren igen. <ul style="list-style-type: none"><li>• Kontrollera om porten är blockerad och avlägsna i sådana fall hindren.</li><li>• Kontrollera att kabelspänningsmätaren är korrekt ansluten till öppnaren.</li><li>• Byt ut kabelspänningsmätaren</li></ul>

FELKOD	PROBLEM	ÅTGÄRD
Uppåtpil Visar	Nedåtpil Visar	
4	1-4	Dörren stoppar och/eller byter riktning
		Öppna och stäng porten för hand. Kontroller att den inte fastnar eller att något blockerar den, såsom en trasig fjäder eller ett trasigt lås. Åtgärda problemet vid behov. Om porten fastnar, kontakta du en behörig porttekniker. Om porten inte fastnar, försöker att programmera om rörelsen.
4	5	Öppnar går cirka 15-20 cm, stoppar och byter riktning
		Kommunikationsfel med rörelsemodulen. Kontrollera rörelsemodulens anslutningar, och ersätt modulen om nödvändigt.
4	6	Portöppnaren stängs inte och lampan blinkar.
		De infraröda fotocellerna är felinriktade eller tillfälligt blockerade. Rätta till båda sensorerna så att båda lysdioderna är stadiga och inte flackar. Se till att ingenting hänger eller är monterat på porten som kan komma i vägen för sensorn när den stängs.
5	5	Porten stängs inte när du använder stängningstimen eller MyQ-smarttelefonkontroll
		MyQ fjärrstyrd lampa måste installeras för att använda stängningstimen eller MyQ för att styra porten. Koppla in den fjärrstyrda MyQ-lampan och se till att den är kopplad till portöppnaren

## 32 Felsökning

### Portöppnaren svarar inte på varken portkontrollen eller fjärrstyrning:

- Använder portöppnaren elektricitet? Koppla in lampan i uttaget. Om den inte tänds, kontrollerar du säkringarna och överströmsskyddet. (Vissa uttag styrs av en väggbrytare.)
- Har du avaktiverat alla dörrlås? Se installationsvarningarna på sidan 5.
- Är ledningarna rätt dragna?
- Byggs is eller snö upp under porten? Porten kan frysas fast i märkena Ta bort eventuella hinder.
- Portens fjäder kan vara trasig. I sådana fall byter du ut den (se punkt 3 Planering).

### Portöppnaren använder kontrollstationen men ligger inte i samma klyfta.

- Reprogram the remote control and replace the battery if necessary. Repeat with all remote controls.

### Porten öppnas och stängs av sig själv.

- Se till alla fjärrkontrollernas knappar är avstängda
- Ta bort träden från knappkontrollstationerna och kör med endast fjärrkontrollen. Om detta åtgärdar problemet ligger felet hos knappkontrollstationen, eller så finns det en kortslutning i träden. Byta ut kontrollstationen
- Radera minnet och programmera om all fjärrstyrningar (se instruktionerna som följde med fjärrkontrollen eller gå till LiftMaster.eu).

### Min fjärrkontroll aktiverar inte garageporten:

- Kontrollera att låsfunktionen inte aktiveras på portstyrningen.
- Programmera om fjärrkontrollen.
- Om fjärrkontrollen har svårt att aktivera porten, kontrollerar du felsökningskoderna så att portöppnaren underhålls och fungerar korrekt.

### Fjärrkontrollen har korträckvidd:

- Byt plats på fjärrkontrollen i bilen.
- Vissa installationer kan ha kortare räckvidd på grund av metallportar, folieklädd isolering eller metallgaragefasad.

### Port öppnas inte helt:

- Kontrollera portlåset.
- Blockerar något porten? Är den obalanserad eller är någon av fjädrarna trasig? Ta bort hindret eller reparera porten.

### Porten kan öppnas men stänger sig inte:

- Kontrollera att kabelspänningsmätaren är korrekt installerad. Om en andra kabelspänningsmätare har avlägsnats, följer du instruktionerna för att koppla en ensam kabelspänningsmätare (se punkt 14)
  - De infraröda fotocellerna anslutas och riktas innan portöppnaren kan sänkas. Om du kan stänga porten genom att utöva ett konstant tryck på den, kontrollerar du att de infraröda fotocellerna är korrekt installerade, inriktade och fria från hinder.
  - Om portöppnaren blinkar, kontrollerar du de infraröda fotocellerna.
  - Om portöppnaren inte blinkar och den är nyinstallerad (se punkt 14). För befintliga installationer, se nedan.
- Upprepa säkerhetstestet efter att alla justeringar har gjorts.

**Porten byter riktning utan uppenbar anledning och portöppnaren blinkar inte:**

- Kontrollera att kabelspänningsmätaren är korrekt installerad. Om någon av kabelspänningsmätarna avlägsnas, kopplar du bort båda mätarna från öppnaren. Koppla sedan in mätaren som du vill använda, och koppla ur och koppla in öppnaren tre gånger för att konfigurera mätaren till öppnaren. 1k-resistor är endast avsedd för att felsöka CTM-konfigurationen. Enligt EN12453 måste kabelspänningsmätaren installeras för att känna av om kabeln är slak.
- Blockerar något porten? Dra i nödöppningshandtaget. Öppna eller stäng porten manuellt. Om den är obalanserad eller fastnar, kontaktar du en behörig porttekniker.
- Rensa bort eventuell is eller snö från garageuppfarten där porten stängs.
- Se punkt 20.

Upprepa det omvända säkerhetstestet efter att alla justeringar har utförts.

**Porten stängs inte och lampan blinkar:**

De infraröda fotocellerna måste anslutas och inriktas innan portöppnaren kan sänkas.

- Kontrollera att de infraröda fotocellerna är korrekt installerade, inriktade och fria från alla hinder.

**Portöppnaren har svårt att öppna eller stänga porten:**

- Porten kan vara obalanserad eller någon av fjädrarna kan vara trasig. Stäng porten och använd nödöppningshandtaget för att koppla bort porten. Öppna och stäng porten för hand. En välbalanserad port kan vila oavsett i vilket läge den befinner sig utan att hållas uppe av något annat än sina fjädrar. Om den inte gör det, kopplar du bort portöppnaren och kontaktar en behörig porttekniker.

**Portöppnarens motor surrar kort men fungerar inte:**

- Någon av portöppnarens fjädrar kan vara trasig. Se ovan.
- Om ett problem uppstår första gången portöppnaren används kan det bero på att porten är låst. Läs upp porten.

**Portöppnaren fungerar inte på grund av strömavbrott:**

- Läs upp porten manuellt.
- Använd nödöppningshandtaget för att koppla bort porten. Porten kan öppnas och stängas för hand. När strömmen kommer tillbaka drar du i handtaget för att koppla tillbaka porten igen.
- Öppna eventuella lås. Använd nödöppningshandtaget för att koppla bort porten. Porten kan öppnas och stängas för hand.

**Portens gränser ignoreras:**

- Kragen är inte tillräckligt åtdragen. Dra åt kragen om programmera om rörelsen (se punkt 20).

**Portöppnaren rör sig medan porten används:**

- Små rörelser är helt normalt för denna produkt. För stora rörelser kommer att slita ut kragen i förtid.
- Kontrollera att torsionsstaven inte rör sig för kraftigt åt vänster/höger.
- Kontrollera att torsionsstaven inte rör sig synligt upp och ned medan den roterar.
- Kontrollera att öppnaren är monterad rätvinkligt mot mellanaxeln. Om inte, flyttar du fästets position.

**Den automatiska portlåskontakten passar inte portöppnarens uttag:**

- Äldre modeller med 24V portlås är inte kompatibla. Använd automatiska portlåset modell 841EU på sidan Tillbehör

**Det automatiska portlåset aktiveras inte medan porten öppnas och stängs:**

- I reservbatteriläge läses garageportlåset automatiskt upp när garageporten öppnas, och förblir öppet tills strömmen återställs.

**Portöppnaren ger ifrån sig en ljudsignal:**

- Detta indikerar att den kommer att stängas då ingen är i närheten. Öppnaren har aktiverats via MyQ-appen eller garage- och grindkontrollen.
- Om lampan lyser orange och avger en ljudsignal cirka varje två sekunder, innebär det att portöppnaren går på batteriström.
- Om lampan blinkar orange och avger en ljudsignal cirka varje 30 sekunder, innebär det att batterinivån är låg.
- Om lampan lyser rött och avger en ljudsignal varje 30 sekunder, innebär det att 12 V batterierna är slut och måste bytas ut.

**Portöppnaren låter och blinkar rött:**

Batterinivån är låg eller så är batteriet dött.

- Byt ut batteriet.

**MyQ-smarttelefonstyrning, trådlösa MyQ-enheter och stängningstimmern fungerar inte:**

- I reservbatteriläge fungerar inte MyQ-smarttelefonstyrning, trådlösa MyQ-enheter och stängningstimmern.
- MyQ fjärrstyrd lampa måste installeras för att använda stängningstimmern eller MyQ-smarttelefonstyrning för att styra porten. Koppla in den fjärrstyrda MyQ-lampan och se till att den är kopplad till portöppnaren. Det tar upp till fem minuter att aktivera stängningstimmern och MyQ-smarttelefonnyheter.

### 33 Extra tillbehör

Använd alltid LiftMasters tillbehör.

Produkter från andra tillverkare kan orsaka fel.

1.	TX4UNIF	Universalfjärrkontroll med fyra kanaler
2.	TX4EVS	Fjärrkontroll med fyra kanaler
3.	TX4UNI/S	Universalfjärrkontroll med fyra kanaler
4.	128EV	Trådlös väggkontrollpanel, två kanaler
5.	747EV	Knappsats
6.	78EV	Trådbunden väggkontrollpanel
7.	FLA-1LED	Signallampa
8.	772E	Fotoceller
9.	100034	Nyckelbrytare (infälld)
10.	100041	Nyckelbrytare (ytmonterad)
11.	829EV	Garageportkontroll
12.	485EU	Reservbatteri
13.	827EV	MYO fjärrstyrd LED-lampa:
14.	041A9264	Kabelspänningsmätare
15.	841EU	Automatiskt portlås

### 34 Tekniska specifikationer

Ineffekt	230-240 VAC, 50 Hz
Max. vridmoment	36 Nm - AC + BATTERI 29 Nm - AC
Märkmoment	10 Nm
Effekt	150 W
Standbyeffekt	2,6 W
Motortyp	Kugghjulsmotor med växelström och permanent smörjning
Ljudnivå	57 dB
Rörelsehastighet	21 rpm (ned), 36 rpm (upp)
Personskydd	Tryck på knappen för att automatiskt stoppa porten när den sänks. Tryck på knappen för att automatiskt stoppa porten när den höjs.
Elektrisk	Automatisk kraftjustering
Elektrisk	Transformatorn överbelastar skyddet och lågspänningsledningarna.
Begränsare	Optisk RPM-Passerpunktsmätare
Gränsjusterare	Elektrisk, halvautomatisk, helautomatisk
Startkrets	Lågspänningsknappkrets.
Max. porthöjd	3 m
Max. portbredd	5,5 m
Max. portarea	16,5 m <sup>2</sup>
Max. portvikt	130 kg
Upphängd vikt	11 kg
Mottagarens minnesregister	64
Driftsfrekvens	433 / 868 MHz, 2,4 GHz

## 35 Säkerhets- och underhållsmanual för automatisk garageportöppnare

### SÄKER ANVÄNDNING AV GARAGEPORTÖPPNAREN – ETT AUTOMATISKT BESLUT

Garageporten är det största rörliga föremålet i hemmet. En felaktigt justerat garaport och öppnare kan röra sig med dödlig kraft när porten stängs, vilket kan fånga barn eller vuxna och orsaka skador eller död.

Garageporten och den automatiska öppnaren måste installeras, underhållas och testas för att systemet ska fungera säkert och utan problem. Vårslös användning eller att låta barn leka med portöppnaren är också farligt och kan sluta tragiskt. Några få enkla försiktighetsåtgärder kan förhindra att din familj och dina vänner skadas. Läs säkerhets- och underhållstipsen i denna manual och spara den för framtida bruk. Kontrollera att din garageport och öppnare fungerar säkert och problemfritt. Läs all viktig säkerhetsinformation i portöppnarens manual då dessa innehåller mer information och säkerhetsåtgärder.

Garageportöppnare är inte leksaker

Prata med dina barn om hur viktigt det är att använda garageporten och öppnaren på ett säkert sätt. Förklara faran med att fångas under porten.



**Håll borta från porten medan den är i rörelse.**



**Håll sändare och fjärrkontroller utom räckhåll för barn. Låt inte barn leka med sändare eller andra fjärrkontroller.**



**Den väggmonterade knappen bör vara utom räckhåll för barn, minst fem fot från närmaste ståunderlag och borta från alla rörliga delar. Montera och använd knappen så att du tydligt kan se garageporten när den stängs.**



**Håll porten under uppsikt tills den stängs helt om du använder den väggmonterade knappen eller en sändare.**



## 36 Rutinunderhåll kan förhindra tragedier

Kontrollera och testa garageporten och portöppnaren varje månad som en del av dina vardagsvanor. Läs ägarmanualen för både porten och portöppnaren. Om du inte har ägarmanualerna, kontaktar du tillverkarna och begär en kopia av manualerna för dina specifika modeller. Hitta öppnarens modellnummer på baksidan av strömenheten.



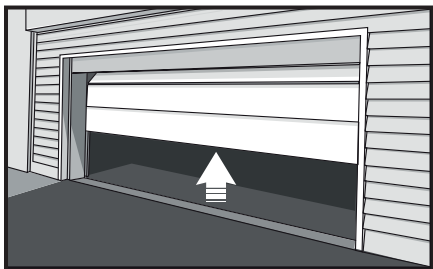
**VARNING – Fjädrarna är utsatta för väldigt hög kraft.  
Får endast justeras av behörig personal**

### Kontrollera porten och installationen visuellt:



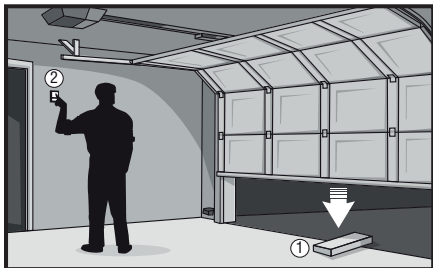
- Börja med porten i stängt läge, och använd den manuella öppningsknappen för att koppla bort öppnaren från porten.
- Leta efter tecken på slitage eller skada på gångjärnen, rullarna, fjädrarna och portpanelerna.
- Dessa delar behöver smörjas regelbundet. Se ägarmanualen för rekommenderat underhåll.
- I händelse av tecken på skada, kontaktar du en behörig porttekniker för att få hjälp.
- Kontrollera att Photoeye inte är installerat högre än sex tum från golvet.

### Testa att porten fungerar:



- Öppna och stäng porten för hand med handtagen eller lämpliga grepppunkter.
- Porten ska röra sig fritt och enkelt.
- Porten bör balanseras och stå delvis öppen tre till fyra fot ovanför marken.
- I händelse av tecken på felaktig användning, kontaktar du en behörig porttekniker för att få hjälp.

### Testa öppnarens säkerhetsfunktioner:



- Anslut öppnaren till porten genom att dra i nödöppningshandtaget en andra gång.
- Placera en 40 mm hög bräda platt i vägen för porten (1) och försök stänga den (2). Porten bör stoppa när den kommer i kontakt med brädan och sedan byta riktning.
- Blockera fotocellsensorn genom att vifta framför sensorn och försöka få den att stänga dörren. Porten får inte öppnas om den väggmonterade knappen hålls inne för hand.
- Om öppnaren inte fungerar som den ska, kontaktar du en behörig porttekniker för att få hjälp.

**Uwaga:**

Oryginalna instrukcja montażu i obsługi została utworzona w języku angielskim. Korzystanie z niniejszej instrukcji montażu i obsługi przetłumaczonej na jakikolwiek inny język jest równoznaczne z korzystaniem z przekładu z wersji angielskiej.

<b>1</b>	Ogólne wytyczne dotyczące bezpieczeństwa .....	2
<b>2</b>	Przeznaczenie .....	3
<b>3</b>	Planowanie działania bramy .....	3
<b>4</b>	Planowanie obsługi z wykorzystaniem MyQ .....	4
<b>5</b>	Przygotowanie bramy garażowej .....	4
<b>6</b>	Niezbędne narzędzia .....	5
<b>7</b>	Zawartość kartonów .....	5
<b>8</b>	Niezbędne akcesoria .....	5
<b>9</b>	Mocowanie kołnierza do napędu bramy garażowej .....	5
<b>10</b>	Mocowanie wspornika montażowego do napędu bramy garażowej .....	6
<b>11</b>	Ustalanie położenia i montaż napędu bramy garażowej .....	6
<b>12</b>	Mocowanie linki otwierania awaryjnego oraz uchwytu .....	6
<b>13</b>	Montaż automatycznej blokady bramy .....	7
<b>14</b>	Instalacja czujnika napięcia linki (041A9264) (wyposażenie obowiązkowe) .....	7
<b>15</b>	Instalacja zdalnego oświetlenia LED MyQ (oświetlenie przeznaczone wyłącznie do pomieszczeń suchych) .....	8
<b>16</b>	Połączenia elektryczne .....	8
<b>17</b>	Instalacja fotokomórek .....	8
<b>18</b>	Podłączanie zasilania .....	9
<b>19</b>	Instalacja zasilania awaryjnego (wyposażenie opcjonalne) .....	9
<b>20</b>	Programowanie biegu bramy .....	10
<b>21</b>	Testowanie systemu bezpieczeństwa odwracania kierunku biegu bramy .....	10
<b>22</b>	Ręczne otwieranie bramy .....	11
<b>23</b>	Użytkowanie napędu bramy garażowej .....	11
<b>24</b>	Łączenie ze smartfonem .....	13
<b>25</b>	Programowanie napędu i sterowania zdalnego / Przycisk zdalny / Klawiatura bezprzewodowa (opcja) .....	14
<b>26</b>	Programowanie zdalnego oświetlenia LED MyQ .....	14
<b>27</b>	Kasowanie pamięci .....	15
<b>28</b>	Konserwacja napędu bramy garażowej .....	15
<b>29</b>	Wymiana baterii w urządzeniu zdalnego sterowania .....	15
<b>30</b>	Utylizacja .....	16
<b>31</b>	Tabela diagnostyczna .....	16
<b>32</b>	Rozwiązywanie problemów .....	17
<b>33</b>	Akcesoria opcjonalne .....	20
<b>34</b>	Dane techniczne .....	20
<b>35</b>	Instrukcje z zakresu bezpiecznego użytkowania i konserwacji automatycznego napędu bramy garażowej .....	21
<b>36</b>	Wykonywanie rutynowych czynności konserwacyjnych może zapobiec tragicznym w skutkach wypadkom .....	22

# OSTRZEŻENIE!

## ROZPOCZNIJ OD PRZECZYTANIA WAŻNYCH INSTRUKCJI BEZPIECZEŃSTWA!

### 1 Ogólne wytyczne dotyczące bezpieczeństwa

Przed przystąpieniem do instalacji:

Przeczytaj instrukcję obsługi, zwracając szczególną uwagę na środki ostrożności. Pamiętaj, aby niniejszą instrukcję obsługi zachować do późniejszego wykorzystania, co umożliwi również jej przekazanie ewentualnym kolejnym właścicielom. W celu uniknięcia obrażeń ciała oraz szkód materialnych instrukcje poprzedzane są odpowiednimi, opisanymi poniżej symbolami. Użytkownik zobowiązany jest do dokładnego zapoznania się z tymi instrukcjami.



#### OSTRZEŻENIE

Niebezpieczeństwo doznania urazu lub spowodowania szkód na mieniu



#### OSTRZEŻENIE

Niebezpieczeństwo spowodowane prądem lub napięciem elektrycznym

#### Ważne wskazówki dotyczące bezpieczeństwa

System automatycznego otwierania bramy został zaprojektowany i przetestowany pod kątem bezpiecznego użytkowania, niemniej jednak należy pamiętać, że bezpieczeństwo korzystania z omawianego napędu gwarantowane jest wyłącznie w przypadku instalacji i obsługi całkowicie zgodnych z opisanymi poniżej wskazówkami bezpieczeństwa. Niniejszy produkt przeznaczony jest do montażu przeprowadzanego wyłącznie przez przeszkolonych techników wyspecjalizowanych w obsłudze bram garażowych. Omawiany produkt może wymagać regulacji sprężyn bramowych i/lub prowadnic. Produkt ten nie jest przeznaczony do wykorzystywania z prowadnicami w przypadku niskich nadproży z zastosowanymi bębnami zewnętrznymi ani bramami garażowymi wyposażonymi w sprężyny naciągowe.

- Przed przystąpieniem do pracy, instalator (fachowiec) musi dokładnie i ze zrozumieniem zapoznać się z informacjami zawartymi w niniejszej instrukcji. Przed pierwszym użyciem oraz przynajmniej raz w roku niezbędne jest przeprowadzenie przez fachowca kontroli bezpieczeństwa okien, drzwi oraz bram wyposażonych w moduły sterowania elektrycznego. Za fachowca uważana jest osoba, która w wyniku odbytych szkoleń oraz dzięki doświadczeniu technicznemu uzyskała odpowiednią wiedzę w zakresie okien, drzwi oraz bram wyposażonych w moduły sterujące, a ponadto jest zaznajomiona z odpowiednimi krajowymi przepisami dotyczącymi bezpieczeństwa pracy oraz ogólnie przyjętymi regulacjami technicznymi w zakresie umożliwiających takiej osobie dokonywanie oceny bezpieczeństwa stanu technicznego napędów okien, drzwi oraz bram.
- Monter zobowiązany jest do uprzedniego zaznajomienia się z następującymi normami: EN 13241, EN 12604, EN 12453. Przeszkolony fachowiec/specjalista zobowiązany jest do poinstruowania użytkownika w kwestii:
  - Obsługi napędu oraz powiązanych zagrożeń
  - Obsługi ręcznego awaryjnego mechanizmu odryglowującego
  - Regularnych prac konserwacyjnych, przeglądów i dbałości o system oraz zadań użytkownika
  - Użytkownik zobowiązany jest do przeszkolenia pozostałych użytkowników z zakresu obsługi omawianego napędu. Po prawidłowym zamontowaniu napędu osoba odpowiedzialna za montaż, zgodnie z Dyrektywą Maszynową 2006/42/WE, zobowiązana jest do wydania deklaracji zgodności WE dla bram. Ponadto, na systemie bramowym należy umieścić oznakowanie CE wraz z tabliczką znamionową. Obowiązek ten dotyczy również modernizacji bram obsługiwanych ręcznie. Dodatkowo, należy wypełnić protokół przekazania do użytku oraz dziennik inspekcji.
- Brama powinna zostać prawidłowo wyważona. Unieruchomiona lub zakleszczona brama musi zostać naprawiona. W przypadku niewłaściwego wyważenia, bramy garażowe, sprężyny bramowe, linki, tarcze, wsporniki i szyny poddawane są ekstremalnemu napięciu, które mogą skutkować doznaniem poważnych obrażeń ciała. Nie należy samodzielnie próbować poluzowywać, przesuwać ani ponownie wyrównywać bramy. W tym celu należy skontaktować się z centrum serwisowym lub specjalistą ds. systemów bramowych.
- Podczas montażu lub konserwacji napędu bramy nie należy nosić biżuterii, zegarków ani luźnej odzieży.
- Aby uniknąć poważnych obrażeń ciała spowodowanych splątaniem, przed dokonaniem montażu napędu bramy należy zdemonstrować wszelkie linki oraz łańcuchy połączone z bramą.
- Podczas montażu i wykonywania połączeń elektrycznych należy przestrzegać lokalnych przepisów budowlanych i elektrycznych.
- Zgodnie z normą EN12453 wymagane jest zainstalowanie czujnika napięcia linki.
- W przypadku bardzo lekkich bram (na przykład wykonanych z włókna szklanego, aluminium lub stali), aby uniknąć ich uszkodzenia należy wykonać odpowiednie wzmocnienia. W tym celu należy skontaktować się z producentem danej bramy.
- Zalecane jest przetestowanie systemu automatycznej zmiany kierunku biegu bramy. W przypadku zetknięcia się z przeszkodą znajdującą się na podłożu, której wysokość wynosi 40 mm brama MUSI zmienić kierunek biegu na odwrotny. Nieprawidłowa konfiguracja napędu bramy może skutkować poważnymi obrażeniami ciała spowodowanymi przez zamykającą się bramę garażową. Wspomniany test należy przeprowadzać raz w miesiącu dokonując przy tym niezbędnych zmian bądź regulacji.
- Omawianego systemu nie należy instalować w pomieszczeniach mokrych ani w strefach, w których występuje wilgoć.
- Podczas pracy brama nie może w żadnym wypadku blokować przejść publicznych.
- W ramach przypominania o zasadach bezpiecznej obsługi omawianego systemu, oprócz podświetlanego przełącznika ściennego należy zadbać o umieszczenie tabliczki ostrzegawczej przypominającej o bezpieczeństwie dzieci. W dobrze widocznych miejscach należy dodatkowo umieścić oznakowanie ostrzegające przed możliwym pochwyceniem przez bramę.
- Należy zadbać, aby dzieci nie bawiły się urządzeniem. Nie należy pozwalać dzieciom na obsługę przycisków ani pilotów zdalnego sterowania.

- Omawiane urządzenie nie jest przeznaczone do użytku przez osoby (w tym dzieci) o ograniczonych zdolnościach fizycznych, sensorycznych lub umysłowych bądź osoby nieposiadające doświadczenia i/lub wiedzy, chyba że znajdują się one pod nadzorem osoby odpowiedzialnej za ich bezpieczeństwo lub zostały poinstruowane w zakresie obsługi omawianego urządzenia.
- W celu uniknięcia uszkodzenia bramy wszystkie bariery/blokady zostają odłączane.
- W przypadku konieczności zainstalowania urządzenia sterującego, MUSI ono zostać zamontowane w obrębie bramy lecz poza zasięgiem dzieci. Dzieci nie powinny obsługiwać przycisków ani urządzeń zdalnego sterowania. Nieprawidłowe użytkowanie napędu bramy może skutkować poważnymi obrażeniami ciała.
- Napęd bramy należy uruchamiać **WYŁĄCZNIE**, gdy użytkownik widzi cały obszar bramy i ma pewność, że w jego obrębie nie znajdują się żadne przeszkody, a sam napęd jest prawidłowo skonfigurowany. Zabronione jest przechodzenie przez bramę, gdy znajduje się ona w ruchu. Należy zadbać, aby dzieci nie bawiły się w pobliżu bramy.
- Uruchamianie ręczne służy wyłącznie do oddzielenia wózka od napędu i jest możliwe TYLKO w przypadku, gdy brama jest zamknięta. Czerwonego uchwyty nie należy wykorzystywać ani do podnoszenia ani opuszczania bramy.
- Przed przystąpieniem do jakiegokolwiek napraw lub przed zdemontowaniem osłon, napęd bramy najpierw należy odłączyć od zasilania elektrycznego. **Naprawy i instalacje elektryczne mogą być wykonywane wyłącznie przez posiadającego odpowiednie uprawnienia elektryka.**
- Omawiany produkt został wyposażony w transformator ze specjalnym przewodem zasilającym. W przypadku uszkodzenia element ten MUSI zostać wymieniony na oryginalny, a sama wymiana powinna zostać przeprowadzona przez wykwalifikowanego technika.
- W przypadku, gdy sprężyny są słabe bądź uszkodzone lub jeśli brama nie została prawidłowo wyważona korzystanie z funkcji otwierania awaryjnego może skutkować niekontrolowanym ruchem bramy.
- Uchwyt zwalniający funkcji otwierania awaryjnego należy zamontować na wysokości nieprzekraczającej 1,80 m.
- Funkcje Timer-to-Close (TTC) (regulatora czasowego zamknięcia), aplikacja sterująca MyQ Smartphone Control, a także MyQ Garage Door oraz Gate Monitor umożliwiają zamykanie bezobsługowe, niemniej jednak należy pamiętać, że mogą być one wykorzystywane **WYŁĄCZNIE** w przypadku bram segmentowych. Każde urządzenie lub funkcja umożliwiająca zamykanie bramy bez konieczności obserwowania jej otoczenia uważane jest za bezobsługowe. Funkcja Timer-to-Close (TTC) (regulatora czasowego zamknięcia), aplikacja MyQ Smartphone Control oraz pozostałe urządzenia MyQ mogą być wykorzystywane **WYŁĄCZNIE** z bramami segmentowymi.
- Nie wolno stosować napędu, jeżeli w bramie garażowej są drzwi.

Zachowaj niniejsze instrukcje.

## 2 Przeznaczenie

Omawiane urządzenie przeznaczone jest do otwierania i zamykania bram z wykorzystaniem drążka skrętnego oraz sprężyn (patrz rozdział 3 "Planowanie"). Urządzenie nie jest przeznaczone do użytku komercyjnego. Dozwolone jest wykorzystywanie wyłącznie w przypadku garażów prywatnych przeznaczonych dla jednego gospodarstwa domowego. Jakiegokolwiek nieprawidłowe użytkowanie omawianego napędu może zwiększyć ryzyko wypadku. Producent nie będzie ponosił jakiegokolwiek odpowiedzialności za tego typu nieprawidłowe użytkowanie. Należy pamiętać, że wraz z napędem wykorzystywane mogą być wyłącznie oryginalne akcesoria firmy LiftMaster. Bramy automatyczne wyposażone w omawiany napęd muszą spełniać obowiązujące międzynarodowe oraz krajowe normy, regulacje i wytyczne (EN 13241, EN 12453 i EN 12604).

## 3 Planowanie działania bramy

Sprawdź otoczenie swojej bramy, aby przekonać się, czy któryś z opisanych poniżej punktów ma w Twoim przypadku zastosowanie. W zależności od Twoich wymagań, niezbędne może okazać się zastosowanie dodatkowych materiałów.

OMAWIANY NAPĘD BRAMY JEST KOMPATYBILNY Z:

- Bramami wyposażonymi w drążek skrotny i sprężyny. Średnica drążka skrotnego musi wynosić 25,4 mm. BRAK kompatybilności z bębniami do nawijania wstecznego.
- Bębniami 80-120 mm. Nie stosować bębnow stożkowych powyżej 120 mm.
- Standardowymi bramami segmentowymi do wysokości 3 m.
- Bramami o szerokości nieprzekraczającej 5,5 m.
- Bramami o powierzchni do 16,5 m<sup>2</sup>.

*Uwaga: W trakcie podnoszenia i opuszczania bramy należy przeprowadzić kontrolę drążka skrotnego. Osoba dokonująca kontroli nie powinna dostrzec żadnego ruchu (góra, dół, lewo, prawo). Jeżeli ruch drążka jest widoczny, żywotność napędu bramy garażowej będzie znacząco ograniczona.*

Sprawdź lub dokonaj inspekcji przewidywanego miejsca montażu. Napęd bramy można zamontować zarówno po lewej, jak i prawej stronie bramy. Wybierz stronę, która będzie spełniała wyszczególnione poniżej wymagania.

- a. Odległość pomiędzy ścianą a środkiem drążka skrotnego musi wynosić przynajmniej 6,4 cm.
- b. Odległość pomiędzy sufitem a środkiem drążka skrotnego musi wynosić przynajmniej 7,6 cm.
- c. Odległość pomiędzy ścianą (lub przeszkodą) a końcem drążka skrotnego musi wynosić przynajmniej 21,6 cm.
- d. Drążek skrotny musi wystawać co najmniej na długość 3,81 cm poza łożysko. Powyższe uzależnione jest od Twoich wymogów instalacyjnych.
- e. Gniazdko elektryczne może znajdować się maksymalnie w odległości 1,83 m od miejsca instalacji. W przypadku braku gniazdka, należy skontaktować się z wykwalifikowanym elektrykiem.

## 4 Planowanie obsługi z wykorzystaniem MyQ

Operator ma możliwość sterowania pracą urządzenia za pomocą aplikacji MyQ. W takim przypadku wymagana będzie instalacja czujników fotoelektrycznych (fotokomórek). Uruchamiaj i monitoruj działanie bramy garażowej gdziekolwiek się znajdujesz, dzięki aplikacji MyQ.

### ZANIM ZACZNIESZ:

Będziesz potrzebować:

- Smartfon, tablet lub laptop z funkcją Wi-Fi
- Szerokopasmowe łącze internetowe
- Sygnał Wi-Fi w garażu (wymagana częstotliwość 2,4 Ghz, 802,11b/g/n)
- Hasło do sieci domowej (konto administratora routera, nie sieć gościnna)

### TESTOWANIE MOCY SYGNAŁU WI-FI

Upewnij się, że Twoje urządzenie mobilne jest połączone z siecią Wi-Fi. Przytrzymaj urządzenie mobilne w miejscu, w którym ma zostać zainstalowany napęd bramy garażowej i sprawdź moc sygnału Wi-Fi.

### Sygnał Wi-Fi jest silny.

Mechanizm otwierania bramy garażowej połączy się z siecią Wi-Fi.

### Sygnał Wi-Fi jest słaby.

Napęd bramy garażowej może połączyć się z siecią Wi-Fi. Jeśli połączenie nie zostanie nawiązane, wypróbuj przedstawione poniżej metody poprawy mocy sygnału Wi-Fi:

### No Wi-Fi signal.

Napęd bramy garażowej nie będzie w stanie nawiązać połączenia z siecią Wi-Fi. Wypróbuj przedstawione poniżej metody poprawy mocy sygnału Wi-Fi:

- Move your router closer to the garage door opener to minimize interference from walls and other objects
- Buy a Wi-Fi range extender

## 5 Przygotowanie bramy garażowej



**OSTRZEŻENIE:** W przypadku zacięcia się, zakleszczenia lub niewłaściwego wyważenia bramy garażowej **ZAWSZE** należy wezwać przeszkolonego technika specjalizującego się w systemach bramowych.

Niewyważona brama garażowa **NIE** będzie cofać się w sposób prawidłowy. **NIGDY** nie próbuj poluzowywać, przesuwać ani regulować bramy garażowej, sprężyn bramowych, linek, krążków, wsporników lub ich osprzętu, ponieważ **WSZYSTKIE** te elementy podlegają **OGROMNYM** naprężeniom. W celu uniknięcia zaplątania, **PRZED** zamontowaniem i uruchomieniem napędu bramy garażowej należy odłączyć **WSZYSTKIE** blokady oraz zdemontować **WSZYSTKIE** linki połączone z bramą. Omawiany napęd bramy garażowej został wyposażony w funkcję pracy bezobsługowej. Brama może poruszać się w sposób nieoczekiwany. **NIKT NIE POWINIEN PRZCHODZIĆ PRZEZ BRAMĘ, GDY JEST ONA W RUCHU.**

### ZANIM ZACZNIESZ:

- Odłącz blokady.
- Zdemonuj wszelkie linki przymocowane do bramy garażowej.

Wykonaj opisaną poniżej procedurę kontrolną, aby upewnić się, że brama jest prawidłowo wyważona oraz nie zacina się ani nie zakleszcza:

- Podnieś bramę do połowy. Puść bramę. Jeśli brama jest prawidłowo wyważona, powinna pozostać na swoim miejscu, a cały jej ciężar powinien spoczywać na sprężynach.
- Unieś i opuść bramę, aby sprawdzić, czy się nie zacina ani nie zakleszcza.
- Bram, których masa przekracza 130 kg nie należy gwałtownie otwierać ani zamykać.

Jeżeli Twoja brama zacina się, zakleszcza lub jest niewłaściwie wyważona, skontaktuj się z wykwalifikowanym technikiem specjalizującym się w systemach bramowych.

## 6 Niezbędne narzędzia

Podczas montażu, instalacji i regulacji napędu bramy garażowej należy posługiwać się wyszczególnionymi w instrukcjach narzędziami (patrz poniżej).

- |   |                                     |
|---|-------------------------------------|
| 1. Drabina składana o płaskich szczeblach | 7. Śrubokręt                        |
| 2. Wiertarka                              | 8. Poziomnica                       |
| 3. Taśma miernicza                        | 9. Młotek do gwoździ                |
| 4. Szczypce do cięcia drutu               | 10. Gniazda i klucz z przedłużeniem |
| 5. Szczypce                               | 11. Klucz nastawny                  |
| 6. Wiertła                                | 12. Ołówek                          |

## 7 Zawartość kartonów

W przypadku braku któregośkolwiek z elementów, należy dokładnie skontrolować integralność opakowania.

NAPĘD BRAMY GARAŻOWEJ		TORBA Z OSPRZĘTEM	
1. Napęd bramy garażowej, LM3800W	1x	11. Śruba 15 mm	2x
2. Automatyczna blokada bramy garażowej, 841EUA	1x	12. Śruba 54,8 mm	4x
3. Wspornik montażowy	1x	13. Uchwyt	1x
4. Kołnierz ze śrubami ustalającymi	1x	14. Linka	1x
5. Etykiety bezpieczeństwa	1x	15. Śruba 15 mm	2x
6. 4-przyciskowy pilot zdalnego sterowania, TX4EVF	2x	16. Kotwa płyty gipsowo-kartonowej (wkręcana) 36,8 mm	4x
7. Zdalne oświetlenie LED MyQ, 827EV	1x	17. Śruba 22 mm	2x
8. Instrukcja obsługi			
OSPRZĘT OŚWIETLENIA ZDALNEGO			
9. Kotwa płyty gipsowo-kartonowej (wkręcana) 42 mm	2x		
10. Śruba 27,85 mm	2x		

## 8 Niezbędne akcesoria

Czujnik naprężenia linki 041A9264.

Fotokomórki wykorzystujące podczerwień (do obsługi MyQ: - 771EV lub 772E bądź 771EVK albo G770E).

## 9 Mocowanie kołnierza do napędu bramy garażowej

*Aby uniknąć problemów z montażem, nie uruchamiaj napędu bramy garażowej dopóki nie zostanie to wyraźnie wskazane w instrukcji.*

Napęd bramy garażowej można zamontować po dowolnej stronie bramy (patrz rozdział Planowanie). Ilustracje przedstawiają montaż arkusz zawierający ilustracje.

1. Poluzuj śruby ustalające.
2. Zamocuj kołnierz na wale silnika napędu bramy garażowej. Kołnierz na wał silnika należy wsunąć większym otworem kołnierza.
3. Upewnij się, że kołnierz został prawidłowo osadzony na wale silnika i znalazł się w położeniu krańcowym.
4. Kołnierz ustaw w taki sposób, aby śruby skierowane były na zewnątrz oraz umożliwiały swobodny dostęp podczas mocowania do drążka skrętnego.
5. Dobrze dokręć 2 śruby ustalające z łbem kwadratowym znajdujące się najbliżej wału silnika, przekręcając śruby o 1/4 - 1/2 obrotu po zetknięciu z wałem silnika.

## 10 Mocowanie wspornika montażowego do napędu bramy garażowej



1. Przy użyciu dostarczonych w zestawie śrub, przymocuj luźno żłobioną stronę wspornika montażowego po tej samej stronie napędu bramy garażowej, co kolnierz (11).

*Uwaga: Na tym etapie śrub nie należy dokręcać.*

## 11 Ustalanie położenia i montaż napędu bramy garażowej



W przypadku mocowania wspornika montażowego do muru **NIEZBĘDNE** jest zastosowanie kotew betonowych. **NIGDY** nie próbuj poluzowywać, przesuwać ani regulować bramy garażowej, sprężyn bramowych, linek, krążków, wsporników lub ich osprzętu, ponieważ **WSZYSTKIE** te elementy podlegają **OGROMNYM** naprężeniom. W przypadku zacięcia się, zakleszczenia lub niewłaściwego wyważenia bramy garażowej **ZAWSZE** należy wezwać przeszkolonego technika / specjalistę / monterę specjalizującego się w systemach bramowych. Niewyważona brama garażowa **NIE** będzie cofać się w sposób prawidłowy. Napęd bramy garażowej **NALEŻY** montować pod kątem prostym względem drążka skrętnego, co pozwoli uniknąć przedwczesnego zużywania się kolnierza. Należy uwzględnić istniejące warunki.

*Uwaga: W celu zapoznania się z dodatkowymi opcjami montażowymi, patrz strona z akcesoriami.*

1. Całkowicie zamknij bramę garażową.
2. Wsuń napęd bramy garażowej na koniec drążka skrętnego. W przypadku zbyt długiego lub uszkodzonego drążka skrętnego konieczne może okazać się jego docięcie. Upewnij się, że kolnierz **NIE** styka się z łożyskiem.
3. Przy pomocy poziomicy ustal położenie i wyrównaj w pionie napęd bramy garażowej. Sprawdź, czy wspornik montażowy znajduje się na stabilnej powierzchni, takiej jak drewno, beton lub wspornik drzwiowy/flagowy. W przypadku montażu z wykorzystaniem płyt gipsowo-kartonowej, wspornik montażowy **MUSI** zostać przymocowany do słupa.
4. Po prawidłowym wyrównaniu napędu bramy garażowej zaznacz otwory dla uchwytu montażowego. W razie potrzeby dokręć śruby kolnierzowe na drążku skrętnym, aby podczas zaznaczania otworów napęd bramy garażowej nie zmienił położenia. **UWAGA:** Napęd bramy garażowej nie musi być umiejscowiony równo ze ścianą.
5. Zdejmij napęd bramy garażowej z drążka skrętnego. W miejscach, które oznaczyłeś wywierć 5 mm otwory wstępne. W razie potrzeby przewierć się przez metalowe płytki szyn bramy.
6. Z powrotem wsuń napęd bramy garażowej na drążek skrętny tak, aby wywiercone otwory wstępne znalazły się w jednej linii ze wspornikiem.
7. Dokręć 2 śruby ustalające z łbem kwadratowym znajdujące się na drążku skrętnym. W przypadku drążka skrętnego posiadającego wgłębienie, dokręć śruby 3/4 - 1 wykonując pełny obrót tuż po zetknięciu się z drążkiem. W przypadku drążka skrętnego wału pełnego dokręć śruby 1/4 - nie więcej niż 1/2 obrotu tuż po zetknięciu się z wałem. W przypadku montażu na drążku skrętnym posiadającym wpusty **NIE** należy dokręcać śrub znajdujących się w rowku wpustowym.
8. Przymocuj wspornik montażowy do ściany i napędu bramy garażowej. Przymocuj wspornik montażowy do ściany używając do tego celu wkrętów (12).

## 12 Mocowanie linki otwierania awaryjnego oraz uchwytu



O ile to możliwe, używaj uchwytu otwierania awaryjnego **WYŁĄCZNIE**, gdy brama garażowa jest **ZAMKNIĘTA**. Słabe bądź uszkodzone sprężyny lub niewyważona brama mogą doprowadzić do szybkiego i/lub niespodziewanego zamknięcia się bramy. **NIGDY** nie używaj uchwytu otwierania awaryjnego jeżeli w przejściu bramy znajdują się jakiegokolwiek osoby bądź przedmioty.

1. Przelóż jeden koniec linki otwierania awaryjnego przez uchwyt. Upewnij się, że napis "UWAGA" skierowany jest właściwą stroną do góry. Wykonaj węzeł zwykły w odległości co najmniej 2,5 cm od końca liny, co pozwoli zapobiec jej ześlizgnięciu.
2. Drugi koniec linki otwierania awaryjnego przelóż przez otwór znajdujący się w dźwigni zwalniającej wózka. Zamontuj element otwierania awaryjnego w taki sposób, aby znajdował się w zasięgu użytkowników i co najmniej 1,83 m od podłoża. Pamiętaj, aby unikać kontaktu z pojazdami, co pozwoli zapobiec przypadkowemu zwolnieniu oraz zabezpieczyć linkę wykonując węzeł zwykły.

*Uwaga: W przypadku konieczności skrócenia linki, przycięty koniec należy opalić zapalniczką lub zapalniczką, co pozwoli uniknąć strzępienia się końcówek.*

## 13 Montaż automatycznej blokady bramy

Automatyczna blokada bramy (model 841EU) uniemożliwia ręczne otwarcie bramy po jej całkowitym zamknięciu.

*Uwaga: Starsze modele blokad 24 V nie są kompatybilne.*

1. Blokadę należy zamontować w odległości maksymalnie 3,05 m od napędu bramy. O ile to możliwe, zalecany jest montaż po tej samej stronie, po której zlokalizowany jest napęd bramy garażowej.
2. Upewnij się, że powierzchnia szyny jest czysta, a następnie przymocuj podkładkę blokady do prowadnicy w taki sposób, aby otwór na śrubę znajdował się w odległości około 7,6 cm od środka krążka bramy.
3. Wywierć otwory zgodnie z oznaczeniami znajdującymi się na podkładce.
4. Wykorzystując znajdujący się w zestawie osprzęt zamocuj automatyczną blokadę bramy po zewnętrznej stronie prowadnicy bramy.
5. Poprowadź drut dzwonkowy w górę ściany aż do napędu bramy. Zszywkami do przewodów przymocuj drut w kilku miejscach (opcjonalnie). Poprowadź drut przez dolną część napędu bramy.
6. Złącze umieść w dowolnej wtyczce napędu bramy. Drugą blokadę bramy (841EU) możesz zamontować po przeciwnej stronie bramy. W tym celu wystarczy ponownie wykonać opisane wyżej czynności.

### TESTOWANIE AUTOMATYCZNEJ BLOKADY BRAMY

1. Gdy brama jest całkowicie zamknięta, rygiel automatycznej blokady bramy (B) powinien wystawać poza prowadnicę.
2. Przesuń bramę w kierunku, w którym odbywa się otwieranie. Automatyczna blokada bramy (A) powinna się schować, zanim brama zacznie się przesuwac.
3. Przesuń bramę w kierunku, w którym odbywa się zamykanie. W celu zabezpieczenia bramy, gdy zostanie ona całkowicie zamknięta, automatyczna blokada bramy powinna przesunąć się do pozycji zamkniętej.

*Uwaga: Jeżeli automatyczna blokada bramy nie działa, można ją zwolnić ręcznie przesuając uchwyt otwierania ręcznego (C) do pozycji otwartej.*

## 14 Instalacja czujnika naprężenia linki (041A9264) (wyposażenie obowiązkowe)

Zanim napęd bramy garażowej zainicjuje ruch w dół NIEZBĘDNE jest prawidłowe zainstalowanie i podłączenie czujnika naprężenia linki. Czujnik naprężenia linki wykrywa WSZELKIE luzy w obrębie linki, a także odwraca bieg bramy, co pozwala uniknąć konieczności wzywania serwisantów. Zgodnie z normą EN12453 wymagane jest zainstalowanie czujnika naprężenia linki

*Uwaga: Czujnik naprężenia linki dostarczany jest w konfiguracji przeznaczonej do montażu lewostronnego. W przypadku montażu po prawej stronie, należy zdjąć pierścien sprężynujący zabezpieczający przytrzymujący krążek i zamontować go ponownie po przeciwnej stronie czujnika naprężenia linki.*

1. Upewnij się, że linka bramy znajduje się w odległości ok. 19 mm od powierzchni montażowej. W celu poprowadzenia linki bramy na odpowiedniej głębokości konieczne może być dokonanie odpowiednich regulacji lub użycie podkładek.
2. Ustaw czujnik naprężenia linki tak, aby krążek znajdował się w odległości 5-15 cm od bębna i wystawał 3-6 mm poza linkę. Upewnij się, że czujnik naprężenia linki znajduje się nad drewnianym elementem wsporczym, a ruch krążka nie jest niczym ograniczony.  
*UWAGA: W strefie instalacyjnej nie mogą znajdować się żadne przeszkody uniemożliwiające całkowite zamknięcie się czujnika naprężenia linki w przypadku wykrycia luzu.*
3. Zaznacz i wywierć 5 mm otwory wstępne pod wkręty (kotwy nie wymagają wiercenia otworów wstępnych).
4. Za pomocą dostarczonego w zestawie osprzętu przymocuj do ściany czujnik naprężenia linki. Upewnij się, że krążek znajduje się na lince.
5. Poprowadź drut dzwonkowy do napędu bramy. Przymocuj drut używając do tego celu zszywek do przewodów.
6. Podłącz drut dzwonkowy do zielonych zacisków szybkozłącza (10 + 11) znajdującego się na napędzie bramy (biegunowość w tym przypadku jest bez znaczenia).  
*UWAGA: Podczas przesuwania się bramy linka musi pozostawać przez cały czas naprężona. Upewnij się, że w trakcie normalnego działania, linka znajdująca się po przeciwnej stronie bramy nie jest poluzowana. Jeśli podczas przesuwania bramy pojawi się luz, należy odpowiednio wyregulować linki.*

W przypadku zainstalowania dwóch czujników naprężenia linki, wykrycie przez czujniki luzu bądź ich rozłączenie spowoduje, że brama nie będzie poruszała się w dół lub odwróci swój bieg.

### TESTOWANIE CZUJNIKA NAPRĘŻENIA LINKI

1. Przy całkowicie zamkniętej bramie naciśnij na przednią część czujnika naprężenia linki. Słyszalne powinno być charakterystyczne kliknięcie. Jeżeli nie usłyszysz kliknięcia, krążek może zacząć uderzać o ościeżnicę uniemożliwiając tym samym wykrywanie luzu w obrębie linki. Upewnij się, że czujnik naprężenia linki został zainstalowany równo ze ścianą, a ruch krążka nie jest niczym ograniczony.

Dostarczony rezystor 1k służy wyłącznie do rozwiązywania problemów z konfiguracją CTM. Zgodnie z normą EN 12453 należy zainstalować monitor napięcia przewodu w celu prawidłowego wykrywania jego luzu.

Aktywacja czujnika naprężenia linki spowoduje miganie strzałek UP (W GÓRĘ) i DOWN (W DÓŁ) wskazując kod diagnostyczny 3-5.



## 15 Instalacja zdalnego oświetlenia LED MyQ (oświetlenie przeznaczone wyłącznie do pomieszczeń suchych)

Zdalne oświetlenie LED MyQ przeznaczone jest do bezpośredniego podłączenia do standardowego gniazdka 230V. Wybierz odpowiednie miejsce na suficie lub ścianie w celu zainstalowania oświetlenia w odległości maksymalnie 1,83 m od gniazdka elektrycznego, tak aby zarówno przewód, jak i oświetlenie znajdowały się z dala od elementów ruchomych. Korzystanie z MyQ oraz funkcji Timer-to-Close (TTC) (regulatora czasowego zamknięcia) wymaga uprzedniego zainstalowania oświetlenia zdalnego LED MyQ.

*Uwaga: Jeżeli montaż oświetlenia na płycie gipsowo-kartonowej lub belce stropowej nie jest możliwy, należy użyć dostarczonych w zestawie kotew do płyt gipsowo-kartonowych. W przypadku kotew przeznaczonych do płyt gipsowo-kartonowych wiercenie otworów wstępnych nie jest konieczne.*

1. W przypadku mocowania do belki stropowej należy wywiercić otwory wstępne oddalone od siebie o 15,6 cm.  
LUB  
w przypadku montażu na płycie gipsowo-kartonowej wkręcić kotwy zachowując wspomnianą wcześniej odległość 15,6 cm.
2. Określ długość przewodu zasilającego niezbędną do podłączenia do najbliższego gniazdka. Owiń nadmiar kabla wokół uchwyty na przewód znajdującego się w górnej części podstawy oświetlenia. Poprowadź przewód przez korytko w taki sposób, aby znajdował się on równo z oprawą oświetlenia.
3. Otwórz kłozs oświetlenia.
4. Za pomocą dołączonych w zestawie śrub zamontuj oświetlenie (9+10).
5. Zamknij kłozs oświetlenia.
6. Podłącz oświetlenie do gniazdka.

UWAGA: Oświetlenie LED-owe świeci bardzo jasno. NIE spoglądaj bezpośrednio na źródło światła, gdy stoisz na drabinie.

Zdalne oświetlenie napędu bramy garażowej zostało fabrycznie zaprogramowane do pracy z Twoim napędem. Pamiętaj, że w przypadku instalacji dodatkowego lub wymiany istniejącego oświetlenia konieczne będzie jego zaprogramowanie.

## 16 Połączenia elektryczne



W celu uniknięcia obrażeń ciała oraz uszkodzenia urządzenia, napęd bramy garażowej należy uruchamiać wyłącznie zgodnie ze wskazówkami zawartymi w niniejszej instrukcji. Należy pamiętać o zapewnieniu swobodnego dostępu do wtyczki zasilania sieciowego, co pozwoli na natychmiastowe odcięcie zasilania. Instalacje elektryczne mogą być wykonane wyłącznie przez wykwalifikowanych i upoważnionych elektryków.

## 17 Instalacja fotokomórek

### WAŻNE INFORMACJE DOTYCZĄCE FOTOKOMÓREK WYKORZYSTUJĄCYCH PODCZERWIENI

Instrukcje montażu dostarczane są wraz z fotokomórkami podczerwieni w związku z czym należy przestrzegać wszelkich zawartych w nich wskazówek. **Fotokomórki gwarantują, że brama zacznie się otwierać bądź pozostanie otwarta, jeżeli w jej pobliżu będą znajdować się ludzie, a w szczególności dzieci.** W przypadku prawidłowego podłączenia i ustawienia fotokomórek, czujniki wykryją każdą przeszkodę znajdującą się na ścieżce wiązki. Czujnik emitujący wysyła do czujnika odbierającego niewidoczną dla ludzkiego oka wiązkę światła. Jeśli podczas zamykania bramy wiązka lasera zostanie przerwana, ruch bramy zostanie zatrzymany, a następnie brama zacznie się na powrót otwierać, co zostanie zasynchronizowane 10 mrugnięciami światła napędu.

W przypadku korzystania z funkcji MyQ lub TTC niezbędne jest zainstalowanie w garażu czujników. Należy rozmieścić je w taki sposób, aby czujnik emitujący i odbierający znajdowały się w bramie i były zlokalizowane naprzeciwko siebie, nie wyżej niż na wysokości 10 cm od podłoża. W przypadku montażu poszczególnych czujników wybór stron jest dowolny, należy jednak pamiętać, aby promienie słońca nigdy nie padały bezpośrednio na soczewkę czujnika odbierającego. Na ścieżce wiązki lasera nie mogą znajdować się żadne przeszkody. Żaden z elementów bramy garażowej (przewodnice bramy, sprężyny, zawiasy, krawki lub inny osprzęt) nie może zakłócać ciągłości wiązki podczas zamykania bramy.

*Uwaga: Firma Liftmaster zaleca montaż fotokomórek podczerwieni dla każdej instalacji. W przypadku korzystania z MyQ lub funkcji TTC wymagana jest instalacja fotokomórek podczerwieni.*

### PODŁĄCZANIE FOTOKOMÓREK PODCZERWIENI

1. Poprowadź przewody biegnące od obu czujników do napędu bramy garażowej. Za pomocą zszywek przymocuj przewody do ściany i sufitu.
2. Z każdego zestawu przewodów zdejmij 11 mm izolacji. Oddziel przewody. Skręć ze sobą przewody w kolorze białym. Skręć ze sobą przewody w kolorze białym/czarnym.
3. Białe przewody umieść w białym zacisku napędu bramy garażowej. Białe/czarne przewody umieść w szarym zacisku napędu bramy garażowej. Aby umieścić lub wyjąć przewody z zacisków, należy końcówką wkrętaka wcisnąć dany zatrzask.

### UPEWNIJ SIĘ, ŻE FOTOKOMÓRKI PODCZERWIENI ZOSTAŁY PRAWIDŁOWO WYRÓWNANE

**Jeżeli czujniki nie zostały prawidłowo zainstalowane i wyrównane, brama nie będzie się zamykać.**

W przypadku przerwania wiązki lasera lub nieprawidłowego wyrównania czujników podczas zamykania bramy, jej bieżące zostanie odwrócone, co zostanie zasynchronizowane dziesięcioma mrugnięciami oświetlenia napędu bramy garażowej. Jeśli brama jest już otwarta, nie zamknie się. Czujniki można ustawić w linii poprzez poluzowanie nakrętek motylkowych, odpowiednie wyrównanie czujników i dokręcenie nakrętek motylkowych.

1. Upewnij się, że diody LED w obu czujnikach świecą światłem stałym. Diody LED w obu czujnikach będą świecić światłem stałym, jeśli uprzednio zostały prawidłowo wyrównane i podłączone

## TESTOWANIE FOTOKOMÓRKI PODCZERWIENI

1. Otwórz bramę. W świetle bramy umieść przeszkodę.
2. Aby zamknąć bramę naciśnij przycisk znajdujący się na pilocie zdalnego sterowania. Brama nie poruszy się o więcej niż 2,5 cm, a oświetlenie napędu bramy garażowej zamruga 10 razy.

Napęd bramy garażowej nie zamknie się zdalnie jeżeli dioda LED dowolnej fotokomórki podczerwieni nie będzie świecić (będzie to oznaczać, że fotokomórki zostały nieprawidłowo ustawione lub wykryły przeszkodę). **Jeśli napęd bramy garażowej zamknie bramę pomimo wykrycia przez fotokomórkę przeszkody (gdy czujniki znajdują się na wysokości maks. 10 cm od podłoża), należy wezwać przeszkolonego technika specjalizującego się w systemach bram garażowych.**

## 18 Podłączanie zasilania

Aby uniknąć problemów z montażem, nie uruchamiaj napędu bramy garażowej.

Aby zmniejszyć ryzyko porażenia prądem elektrycznym, Twój napęd bramy garażowej został wyposażony we wtyczkę z uziemieniem. Wtyczka ta pasuje tylko do gniazdek z uziemieniem. Jeśli wtyczka nie pasuje do posiadanego przez Ciebie gniazdka, w celu jego zamontowania skontaktuj się z wykwalifikowanym elektrykiem.

Istnieje tylko jedna możliwość podłączenia zasilania:

### STANDARDOWE ZAKŁADANIE PRZEWODÓW

Podłącz napęd bramy garażowej do gniazdka z uziemieniem.

## 19 Instalacja zasilania awaryjnego (wyposażenie opcjonalne)



Pozwala zmniejszyć ryzyko wystąpienia POŻARU lub doznania URAZU. PRZED przystąpieniem do JAKIKOLWIEK prac konserwacyjnych lub serwisowych odłącz CAŁE zasilanie elektryczne i akumulatorowe. W przypadku wymiany akumulatora używaj WYŁĄCZNIE części 485EU firmy LiftMaster. ZABRONIONA jest utylizacja akumulatorów poprzez spalanie. Akumulator może eksplodować. Zapoznaj się z lokalnymi przepisami dotyczącymi utylizacji.

W trybie zasilania awaryjnego sterowanie smartfonem MyQ oraz bezprzewodowe urządzenia MyQ będą wyłączone. W tym trybie, w przypadku gdy brama garażowa będzie otwarta, automatyczna blokada bramy garażowej zostanie zwolniona. Dopiero przywrócenie zasilania umożliwi jej ponowne uruchomienie.

1. Odłącz napęd bramy garażowej.
2. Za pomocą śrubokręta zdejmij pokrywę przedziału akumulatora napędu bramy garażowej.
3. Częściowo umieść akumulator w jego przedziale w taki sposób, aby zaciski skierowane były do zewnątrz.
4. Podłącz czerwony (+) i czarny (-) przewód biegnący od napędu bramy garażowej do odpowiednich zacisków akumulatora.
5. Załóż pokrywę akumulatora.
6. Podłącz napęd bramy garażowej.

### DIODA LED STANU AKUMULATORA (B)

#### ZIELONA DIODA LED:

Wszystkie systemy są sprawne.

- Zielona dioda LED świecąca światłem stałym wskazuje całkowite naładowanie akumulatora.
- Migająca zielona dioda LED wskazuje, że akumulator jest ładowany.

#### POMARAŃCZOWA DIODA LED:

Przerwa w zasilaniu napędu bramy garażowej. Napęd zasilany jest w trybie awaryjnym z akumulatora.

- Pomarańczowa dioda LED świecąca światłem stałym oraz sygnał dźwiękowy emitowany mniej więcej co 2 sekundy wskazuje, że napęd bramy garażowej pracuje na zasilaniu akumulatorowym.
- Migająca pomarańczowa dioda LED oraz sygnał dźwiękowy emitowany co 30 sekund wskazuje, że akumulator jest rozładowany.

#### CZERWONA DIODA LED:

Należy wymienić 12V akumulator napędu bramy garażowej.

- Czerwona dioda LED świecąca światłem stałym oraz sygnał dźwiękowy emitowany co 30 sekund informuje o końcu żywotności 12V akumulatora oraz konieczności dokonania jego wymiany. Aby nadal móc korzystać z funkcji zasilania akumulatorowego wymień akumulator zasilania awaryjnego.

*Uwaga: Aby możliwe było uruchomienie napędu bramy garażowej, akumulator nie musi być w pełni naładowany.*

## 20 Programowanie biegu bramy



Niewłaściwa regulacja punktów krańcowych biegu bramy może negatywnie wpłynąć na prawidłowe działanie systemu bezpieczeństwa zmiany kierunku jej biegu. Po dokonaniu **JAKIEJKOLWIEK** regulacji **NIEZBĘDNE** jest przetestowanie systemu bezpieczeństwa zmiany kierunku biegu bramy. Brama **MUSI** zacząć się cofać po zetknięciu się z 40 mm obiektem znajdującym się na podłożu. Aby zapobiec uszkodzeniom pojazdów upewnij się, że całkowicie otwarta brama zapewnia odpowiedni prześwit.

Punkty krańcowe biegu bramy umożliwiają zatrzymanie jej biegu bez względu na kierunek. Podczas programowania użyj przycisków UP (W GÓRĘ) i DOWN (W DÓŁ) w celu ustawiania bramy w żądanym położeniu.

1. Naciśnij i przytrzymaj przycisk ustawień (A) do momentu, w którym przycisk UP (W GÓRĘ) (U) zacznie migać i/lub rozlegnie się sygnał dźwiękowy.
2. Naciśnij i przytrzymaj przycisk UP (W GÓRĘ) (U) do chwili, aż brama znajdzie się w żądanym położeniu.
3. Gdy brama znajdzie się już w żądanym położeniu, naciśnij i zwolnij przycisk ustawień (A). Oświetlenie napędu bramy garażowej zamruga dwa razy, a następnie migać zacznie przycisk DOWN (W DÓŁ) (D).
4. Naciśnij i przytrzymaj przycisk DOWN (W DÓŁ) (D) do chwili, aż brama znajdzie się w żądanym położeniu.
5. Gdy brama znajdzie się już w żądanym położeniu, naciśnij i zwolnij przycisk ustawień (A). Oświetlenie napędu bramy garażowej zamruga dwa razy, a następnie migać zacznie przycisk UP (W GÓRĘ) (U).
6. Naciśnij i zwolnij przycisk UP (W GÓRĘ) (U). Gdy brama przemieszcza się w zaprogramowane położenie UP (W GÓRĘ), przycisk DOWN (W DÓŁ) (D) zaczyna migać.
7. Naciśnij i zwolnij przycisk DOWN (W DÓŁ) (D). Brama ustawi się w zaprogramowanym położeniu DOWN (W DÓŁ). Programowanie zostało ukończone.

Jeżeli podczas programowania biegu bramy oświetlenie napędu bramy garażowej zamruga 5 razy będzie to oznaczało, że upłynął czas przeznaczony na programowanie. Jeśli nie zainstalowano czujnika naprężenia linki lub jeśli wykrywa on zbyt duży luz, oświetlenie napędu bramy garażowej zamruga 5 razy. Upewnij się, że czujnik naprężenia linki został prawidłowo zainstalowany, a następnie postępuj zgodnie z instrukcjami programowania biegu bramy. Jeżeli podczas programowania biegu bramy oświetlenie napędu bramy garażowej zamruga 10 razy będzie to oznaczało, że fotokomórki nie zostały prawidłowo wyrównane lub wykryły przeszkodę. Gdy czujniki zostaną prawidłowo wyrównane i nie wykryją żadnej przeszkody, za pomocą pilota zdalnego sterowania lub przycisków UP (W GÓRĘ) i DOWN (W DÓŁ) wykonaj pełny cykl podnoszenia i opuszczania bramy. Programowanie zostało ukończone. Jeżeli nie jesteś w stanie podnieść ani opuścić bramy, ponownie wykonaj czynności związane z programowaniem biegu bramy.

## 21 Testowanie systemu bezpieczeństwa odwracania kierunku biegu bramy



Brak prawidłowo zainstalowanego systemu bezpieczeństwa odwracania kierunku biegu bramy może narazić znajdujące się w pobliżu osoby (zwłaszcza małe dzieci) na doznanie **POWAŻNYCH URAZÓW** lub **ŚMIERCI** spowodowane zamykaniem się bramy garażowej. **NIEZBĘDNE** jest przeprowadzanie comiesięcznej kontroli systemu bezpieczeństwa odwracania kierunku biegu bramy garażowej. Po dokonaniu **JAKIEJKOLWIEK** regulacji **NIEZBĘDNE** jest przetestowanie systemu bezpieczeństwa zmiany kierunku biegu bramy. Brama **MUSI** zacząć się cofać po zetknięciu się z 40 mm obiektem znajdującym się na podłożu.

### TEST

1. Gdy brama jest całkowicie otwarta umieść na podłożu płytę o grubości 40 mm (płytę należy położyć po środku bramy).
2. Aby zamknąć bramę naciśnij przycisk znajdujący się na pilocie zdalnego sterowania. W chwili zetknięcia się z płytą brama **MUSI** odwrócić swój bieg.

### REGULACJA

Jeśli brama zatrzyma się, lecz nie odwróci swojego biegu

1. Ponownie zapoznaj się z dostarczoną instrukcją instalacji, aby upewnić się, że poprawnie wykonałeś wszystkie kroki;
2. Ponownie wykonaj Programowanie biegu bramy (patrz Regulacja Krok 1 "Punkt 20");
3. Powtórz test bezpieczeństwa odwracania biegu bramy.

Jeżeli wynik testu nadal nie będzie pomyślny, wezwij przeszkolonego technika specjalizującego się w systemach bram garażowych.

### WAŻNA KONTROLA Z ZAKRESU BEZPIECZEŃSTWA:

Skontroluj system bezpieczeństwa odwracania kierunku biegu bramy:

- Każdorazowo po dokonaniu regulacji punktów krańcowych.
- Po przeprowadzeniu jakichkolwiek napraw lub dokonaniu regulacji bramy (łącznie ze sprężynami i pozostałym osprzętem).
- Po dokonaniu jakichkolwiek napraw lub modyfikacji podłoża.
- Po dokonaniu jakichkolwiek napraw lub regulacji napędu bramy garażowej.

## 22 Ręczne otwieranie bramy



O ile to możliwe, używaj uchwyty otwierania awaryjnego **WYŁĄCZNIE**, gdy brama garażowa jest **ZAMKNIĘTA**. Słabe bądź uszkodzone sprężyny lub niewyważona brama mogą doprowadzić do szybkiego i/lub niespodziewanego zamknięcia się bramy. **NIGDY** nie używaj uchwyty otwierania awaryjnego jeżeli w przejściu bramy znajdują się jakiegokolwiek osoby bądź przeszkody.

Przed przystąpieniem do dalszych czynności odłącz wszystkie blokady bramy. O ile to możliwe, brama powinna pozostawać całkowicie zamknięta. Pociągnij za uchwyt otwierania awaryjnego aż usłyszysz charakterystyczne kliknięcie napędu, a następnie ręcznie podnieś bramę. Aby ponownie podłączyć bramę do napędu bramy garażowej jeszcze raz pociągnij uchwyt otwierania awaryjnego pionowo w dół aż usłyszysz charakterystyczne kliknięcie napędu. Brama zostanie podłączona podczas kolejnej procedury podnoszenia lub opuszczania.

### TESTOWANIE OTWIERANIA AWARYJNEGO

1. Upewnij się, że brama jest zamknięta.
2. Pociągnij za uchwyt otwierania awaryjnego. Brama powinna umożliwiać jej ręczne otwarcie.
3. Zamknij bramę.
4. Ponownie pociągnij za uchwyt otwierania awaryjnego.
5. Podłącz bramę do napędu.
6. Reconnect the door to the door opener.

## 23 Użytkowanie napędu bramy garażowej

### FUNKCJE

Twój napęd bramy garażowej został wyposażony w funkcje zapewniające Ci większą kontrolę nad otwieraniem bramy.

### ALERTTO-CLOSE (ALARM ZAMYKANIA)

Funkcja Alert-to-Close generuje alarm wizualny ostrzegający o niezamierzonym zamykaniu się bramy.

### TIMER-TO-CLOSE (TTC) (REGULATOR CZASOWY ZAMKNIĘCIA)

TTC automatycznie zamyka bramę po upływie określonego czasu, który można ustawić za pomocą funkcji sterowania bramą TTC (niezbędna jest instalacja fotokomórek Model 771EV / 772E / 771EVK / G770E). Przed i w trakcie zamykania bramy oświetlenie napędu bramy garażowej znacznie mrugać.

### AKTYWACJA TTC:

1. 4 razy naciśnij i zwolnij żółty przycisk uczenia się (L).
2. Zaświeci się żółta dioda LED uczenia
3. Używając strzałek UP (W GÓRĘ) (U) i DOWN (W DÓŁ) (D) wykonaj cykl **WYŁĄCZANIA** co 1/5/10 minut. Dokonanie wyboru spowoduje miganie żółtej diody LED uczenia się. Na przykład, jeżeli wybierzesz opcję 5-minutową, żółta dioda LED uczenia się zamruga 5 razy potwierdzając dokonany przez Ciebie wybór.
4. Aby zapisać ustawienie i wyjść z trybu programowania TTC naciśnij prostokątny przycisk ustawień (A). Po zakończonej aktywacji MyQ zdalne oświetlenie LED zamruga RAZ, aby potwierdzić daną konfigurację. Podczas programowania funkcji TTC należy pamiętać, aby czas pomiędzy kolejnymi naciśnięciami przycisków nie przekraczał 30 sekund. W przeciwnym razie procedura aktywacji TTC zostanie zakończona. W przypadku upłynięcia czasu programowania TTC zachowa poprzednie ustawienia, a zdalne oświetlenie LED MyQ zamruga PIĘĆ razy.

Aby opuścić tryb programowania TTC bez zachowywania wprowadzonych ustawień, ponownie naciśnij przycisk uczenia się (L).

### ZMIANA USTAWIENÍ TTC:

1. Press learn button (L) 4 times again.
2. Cycle through OFF /1/5/10 minutes increments using the UP (U) and DOWN (D) arrows. Yellow learn LED shall blink upon selection.
3. Press rectangular adjustment button (A) to save the setting and exit the TTC programming mode.  
When activation has completed the MyQ Remote LED Light will flash ONE time as a confirmation.

### DEZAKTYWACJA TTC:

1. 4 razy naciśnij żółty przycisk uczenia (L).
2. Aby zachować daną konfigurację naciśnij przycisk ustawień.
3. Po zakończeniu dezaktywacji, zdalne oświetlenie LED MyQ zamruga RAZ, aby potwierdzić daną konfigurację.  
Jeżeli TTC jest aktywny, regulator czasowy będzie odliczał upływający czas. Oznacza to, że w przypadku przerwania ciągłości wiązki podczerwieni, TTC zostanie zrestartowany.

### MYQ

MyQ umożliwia sterowanie napędem bramy garażowej za pomocą urządzenia mobilnego lub komputera bez względu na to, gdzie się znajdujesz. Technologia MyQ wykorzystuje sygnał radiowy, który umożliwia dwukierunkową komunikację pomiędzy napędem bramy garażowej, a aktywnym urządzeniem wykorzystującym funkcję MyQ. Napęd bramy garażowej posiada wewnętrzną bramę sieciową umożliwiającą komunikację pomiędzy napędem a siecią domową Wi-Fi® oraz uzyskiwanie dostępu do konta MyQ.

## FOTOKOMÓRKI PODCZERWIENI

W przypadku prawidłowego podłączenia i ustawienia fotokomórek, czujniki wykryją każdą przeszkodę znajdującą się na ścieżce wiązki. Jeśli podczas zamykania bramy wiązka lasera zostanie przerwana, ruch bramy zostanie zatrzymany, a następnie brama zacznie się na powrót otwierać, co zostanie zasygnalizowane 10 mignięciami światła napędu. W przypadku, gdy zainstalowane fotokomórki nie zostały prawidłowo wyrównane, zamknięcie otwartej bramy przy pomocy pilota sterowania zdalnego nie będzie możliwe. Niemniej jednak bramę będzie można zamknąć przytrzymując przycisk sterowania znajdujący się na module ściennym lub uzyskując dostęp zdalny do chwili całkowitego zamknięcia bramy. Fotokomórki podczerwieni nie mają wpływu na cykl otwierania.

## OSZCZĘDZANIE ENERGII

W celu zwiększenia efektywności energetycznej napęd bramy garażowej został wyposażony w tryb uśpienia, który aktywuje się, gdy brama jest całkowicie zamknięta. Tryb uśpienia wyłącza napęd bramy garażowej do chwili jego ponownej aktywacji. Tryb uśpienia jest sprzężony z oświetleniem napędu bramy garażowej. Oznacza to, że zgaśnięcie oświetlenia spowoduje również wyłączenie czujników LED. W takim przypadku każde włączenie się oświetlenia napędu bramy garażowej spowoduje aktywację czujników diod LED. Napęd bramy garażowej nie przejdzie w tryb uśpienia dopóki nie wykona 5 cykli przy włączonym zasilaniu.

## OŚWIETLENIE

Oświetlenie napędu bramy garażowej zostanie włączone od razu po podłączeniu napędu do zasilania, po przywróceniu zasilania lub uruchomieniu napędu bramy garażowej. Oświetlenie wyłączy się automatycznie po upływie 4-1/2 minut.

## FUNKCJE OŚWIETLENIA

Napęd bramy garażowej został wyposażony w dodatkową funkcję włączającą oświetlenie w chwili, gdy ktoś przejdzie przez otwartą bramę przerywając w ten sposób wiązkę lasera. Funkcja ta wymaga zainstalowania fotokomórek podczerwieni, model 771EV / 772E / 771EVK / G770E.

## ZASILANIE AWARYJNE (OPCJA)

System zasilania awaryjnego umożliwia wchodzenie i wychodzenie z garażu nawet podczas przerw w zasilaniu. W przypadku, gdy napęd bramy garażowej pracuje na zasilaniu awaryjnym, napęd będzie działał wolniej, oświetlenie nie będzie się włączać, dioda LED stanu akumulatora będzie świecić stałym światłem pomarańczowym, a co 2 sekundy będzie rozlegał się sygnał dźwiękowy.

## UŻYTKOWANIE NAPĘDU BRAMY GARAŻOWEJ

Napęd bramy garażowej można aktywować za pomocą modułu ściennego, pilota sterowania zdalnego, dostępu zdalnego lub akcesoriów MyQ. Obsługa napędu bramy garażowej za pomocą pilota zdalnego sterowania lub przelączników ściennych pozwala na:

- zamknięcie bramy, gdy jest ona całkowicie otwarta
- otwarcie bramy, gdy jest ona całkowicie zamknięta
- zatrzymanie bramy podczas jej otwierania lub zamykania
- zmianę kierunku biegu bramy, gdy jest ona częściowo otwarta

Jeżeli podczas otwierania brama wykryje przeszkodę lub wiązka lasera zostanie przerwana, brama zatrzyma się. Jeżeli podczas zamykania napęd bramy garażowej wykryje przeszkodę, kierunek biegu bramy zostanie odwrócony. Jeżeli wiązka lasera zostanie przerwana przez jakąkolwiek przeszkodę, oświetlenie napędu bramy garażowej zamruga 10 razy. Niemniej jednak bramę będzie można zamknąć przytrzymując przycisk sterowania znajdujący się na module ściennym lub uzyskując dostęp zdalny do chwili całkowitego zamknięcia bramy. Fotokomórki podczerwieni nie mają wpływu na cykl otwierania.

## AKTYWACJA LICZNIKA CYKLI ORAZ PROCEDURA ODCZYTYWANIA:

1. Aby uzyskać dostęp do tego trybu odłącz RJO od zasilania.
2. Naciśnij przyciski ustawień (A) i uczenia (L) i przytrzymaj je przywracając zasilanie.
3. Wciśnięcie i przytrzymanie przycisku ustawień (A) i uczenia (L) spowoduje, że dla każdego PEŁNEGO tysiąca cykli JEDNOKROTNIENIE zaświeci się dioda LED przycisku strzałki "UP" (W GÓRĘ).

Na przykład, jeśli RJO wykonało 8756 cykli, dioda LED przycisku UP (W GÓRĘ) powinna zamrugać 8 razy.

Aby powtórzyć odczyt, odłącz RJO od zasilania i uruchom ponownie.

**Nadajnik oświetlenia (z 78EV):** Umożliwia współpracę nadajnika ze zdalnym modulem MyQ dzięki wykorzystaniu wielofunkcyjnego urządzenia ściennego. Aby zaprogramować nadajnik do pracy ze zdalnym oświetleniem LED MyQ:

1. Naciśnij i przytrzymaj przyciski LIGHT i LOCK.
2. Przytrzymując wciśnięte oba przyciski, naciśnij i przytrzymaj jeden z przycisków nadajnika do momentu jedнокrotnego mruknięcia WorkLight RJO.
3. Po jednokrotnym mruknięciu WorkLight zwolnij wciśnięte przyciski.

**Tryb wakacyjny** (wymaga ściennego modułu sterowania 78EV). Jeżeli ta funkcja została aktywowana, przenośne urządzenia zdalnego sterowania nie będą działały. Patrz instrukcja 78EV.

**Dostęp zdalny** (wymaga klawiatury bezprzewodowej 747EV): Wprowadź wybrany przez siebie 4-cyfrowy kod, który będzie wykorzystywany do obsługi bramy.

**Dostęp czasowy** (wymaga klawiatury bezprzewodowej 747EV): Ustawienie kodu tymczasowego umożliwia zaprogramowanie ograniczonego dostępu do garażu (czasowego lub określonej liczby otwarć bramy).

**Funkcja zamykania jednym przyciskiem** (wymaga klawiatury bezprzewodowej 747EV): Umożliwia zamykanie bramy bez konieczności korzystania z kodu dostępowego (nie dotyczy otwierania).

## 24 Łączenie ze smartfonem

Napęd bram garażowych wykorzystujący łączność Wi-Fi® zapewnia kompatybilność z maksymalnie 16 akcesoriami MyQ. Dzięki zastosowaniu bramy sieciowej napęd bram garażowych za pośrednictwem sieci Wi-Fi umożliwia sprawowanie do 10 urządzeń. Urządzenia te mogą być obsługiwane za pomocą aplikacji MyQ. Dotyczy to dowolnej kombinacji napędów bram garażowych MyQ, napędów bram garażowych Wi-Fi, oświetlenia MyQ, operatorów bram MyQ. W przypadku konieczności podłączenia więcej niż 10 urządzeń za pomocą aplikacji MyQ, istnieje możliwość dodania wewnętrznej bramy internetowej LiftMaster (828EV). Napęd bramy garażowej umożliwia sparowanie do 6 urządzeń (znajdujących się pod kontrolą napędu). Dotyczy to dowolnej kombinacji oświetlenia MyQ lub czujników bramy garażowej oraz bram.

### Będziesz potrzebować:

- Smartfon, tablet lub laptop z funkcją Wi-Fi
- Szerokopasmowe łącze internetowe
- Sygnał Wi-Fi w garażu (wymagana jest częstotliwość 2,4 Ghz, 802,11b/g/n)
- Hasło do sieci domowej (konto administratora routera, nie sieć gościnna)
- Numer seryjny MyQ znajdujący się na napędzie bramy garażowej
- Fotokomórki działające na podczerwień (opcjonalnie)
- Dioda zdalnego oświetlenia LED MyQ (dostarczana w zestawie)

### SYNCHRONIZACJA STEROWANIA BRAMĄ

Aby zsynchronizować moduł sterowania bramą 78EV z napędem bramy garażowej, naciśnij duży przycisk do momentu uruchomienia napędu bramy garażowej (może to wymagać 3 naciśnień). Zanim aktywowana zostanie funkcja programowania Wi-Fi napęd bramy garażowej musi wykonać jeden pełny cykl pracy.

### ŁĄCZENIE NAPĘDU BRAMY GARAŻOWEJ Z DOMOWĄ SIECIĄ WI-FI

1. 3 razy naciśnij i zwolnij żółty przycisk LEARN (uczenie) (L) znajdujący się na napędzie bramy garażowej. Napęd bramy garażowej wygeneruje pojedynczy sygnał dźwiękowy. Na ukończenie procesu łączenia będziesz mieć 20 minut.
2. Na swoim urządzeniu przenośnym wybierz kolejno opcję Ustawienia > Wi-Fi, a następnie sieć oznaczoną przedrostkiem "MyQ-".
3. Na swoim smartfonie lub tablecie uruchom przeglądarkę internetową. W pasku adresu przeglądarki wpisz [setup.myqdevice.com](http://setup.myqdevice.com). Aby połączyć napęd bramy garażowej ze swoją siecią Wi-Fi postępuj zgodnie z instrukcjami wyświetlanymi na ekranie. Na ekranie wyświetlony zostanie numer seryjny MyQ. Wprowadź wyświetlony numer seryjny do poniższego pola.

4. Pobierz aplikację MyQ z App Store® lub Google Play™. Zaloguj się na swoje konto MyQ i dodaj do niego numer seryjny MyQ.

Aby dodać kolejny napęd bramy garażowej, powtórz czynności 1-3. W swojej aplikacji MyQ dodaj drugi numer seryjny MyQ.

**WAŻNE:** Funkcja MyQ Smartphone Control **NIE** będzie działać, jeżeli napęd bramy garażowej będzie pracował na zasilaniu akumulatorowym. Aby wykasować ustawienia sieci Wi-Fi, patrz strona 15.

Status połączenia Wi-Fi wskazuje dioda LED (A) znajdującą się na napędzie bramy garażowej. Patrz poniższa tabela.

DIODA LED	OPIS
NIEBIESKA	Wyłączona – Wi-Fi nie jest włączone. Miga – napęd bramy garażowej znajduje się w trybie uczenia się Wi-Fi. Światło stałe – urządzenie przenośne zostało połączone z napędem bramy garażowej.
NIEBIESKA I ZIELONA	Miga – próba nawiązania połączenia z routerem.
ZIELONA	Miga – próba nawiązania połączenia z serwerem internetowym. Światło stałe – skonfigurowano sieć Wi-Fi, a napęd bramy garażowej został podłączony do Internetu.

## **25** Programowanie napędu i sterowania zdalnego / Przycisk zdalny / / Klawiatura bezprzewodowa (opcja)

Napęd bramy garażowej należy uruchamiać wyłącznie, gdy użytkownik widzi całe otoczenie bramy, w jej obrębie nie znajdują się żadne przeszkody i jest ona prawidłowo wyregulowana. Zabronione jest wchodzenie do i wychodzenie z garażu, gdy brama znajduje się w ruchu. Nie należy pozwalać dzieciom na obsługę przycisków ani pilotów zdalnego sterowania. Nie należy pozwalać dzieciom na zabawę w pobliżu bramy. Odbiornik napędu bramy garażowej oraz jeden z pilotów zdalnego sterowania zostały fabrycznie wstępnie zaprogramowane. W przypadku zakupu dodatkowych pilotów zdalnego sterowania niezbędne będzie zaprogramowanie napędu bramy garażowej, aby był w stanie rozpoznawać sygnał nowych urządzeń.

### PROGRAMOWANIE ODBIORNIKA DO OBSŁUGI DODATKOWYCH URZĄDZEŃ STEROWANIA ZDALNEGO: UŻYWANIE ŻÓŁTEGO OKRĄGŁEGO PRZYCISKU

1. Naciśnij i zwolnij żółty okrągły przycisk uczenia (L) znajdujący się na napędzie. Kontrolka uczenia się będzie przez 30 sekund świecić światłem stałym.
2. W ciągu 30 sekund naciśnij i przytrzymaj przycisk na pilocie, którym zamierzasz obsługiwać bramę garażową.
3. Po jednokrotnym mrugnieniu oświetlenia napędu, zwolnij przycisk. Urządzenie zapamiętało kod. Od tego momentu wciśnięcie przycisku na urządzeniu zdalnym będzie uruchamiało napęd bramy. Jeżeli zwolnisz przycisk zanim oświetlenie napędu zamruga, napęd nie zapamięta nowego kodu.

### DOSTĘP ZDALNY

1. Naciśnij i zwolnij żółty okrągły przycisk uczenia (L) znajdujący się na napędzie. Kontrolka uczenia się będzie przez 30 sekund świecić światłem stałym.
2. Na klawiaturze dostępu zdalnego wprowadź wybrany przez siebie 4-cyfrowy kod (PIN) będący jednocześnie numerem identyfikacyjnym.
3. Następnie naciśnij przycisk ENTER.
4. W przypadku pomyślnego zaprogramowania kodu, oświetlenie napędu bramy garażowej zamruga (lub słyszalne będą dwa charakterystyczne kliknięcia). W celu zaprogramowania dodatkowych urządzeń sterowania lub dostępu zdalnego ponownie wykonaj opisane powyżej czynności. Jeżeli programowanie zakończy się niepowodzeniem, zaprogramuj urządzenie sterowania zdalnego za pomocą przycisku uczenia się.

### KASOWANIE WSZYSTKICH KODÓW STEROWANIA ZDALNEGO

Aby dezaktywować wybrane urządzenia sterowania zdalnego, najpierw wykasuj wszystkie kody: Naciśnij i przytrzymaj żółty okrągły przycisk znajdujący się na napędzie do chwili zgaśnięcia kontrolki uczenia się (około 10 sekund). Wszystkie poprzednie kody zostały usunięte. Przeprogramuj wszystkie urządzenia sterowania lub dostępu zdalnego, z których zamierzasz korzystać.

## **26** Programowanie zdalnego oświetlenia LED MyQ

Zdalne oświetlenie napędu bramy garażowej zostało fabrycznie zaprogramowane do pracy z Twoim napędem. Pamiętaj, że w przypadku instalacji dodatkowego lub wymiany istniejącego oświetlenia konieczne będzie jego zaprogramowanie.

### PROGRAMOWANIE NAPĘDU BRAMY GARAŻOWEJ DO OBSŁUGI ZDALNEGO OŚWIETLENIA LED MYQ:

1. Naciskaj przycisk LEARN (uczenie) (L) znajdujący się na oświetleniu do chwili zaświecenia się zielonej diody LED.
2. Naciśnij przycisk LEARN (uczenie) (L) znajdujący się na napędzie bramy garażowej.
3. Kod zostanie zaprogramowany, gdy oświetlenie zdalne jednokrotnie zamruga

### PROGRAMOWANIE URZĄDZEŃ STEROWANIA ZDALNEGO DO OBSŁUGI ZDALNEGO OŚWIETLENIA LED MYQ

1. Naciskaj przycisk LEARN (uczenie) (L) znajdujący się na oświetleniu do chwili zaświecenia się zielonej diody LED.
2. Naciśnij przycisk na urządzeniu zdalnego sterowania, którym zamierzasz obsługiwać oświetlenie.
3. Kod zostanie zaprogramowany, gdy oświetlenie zdalne jednokrotnie zamruga.

Aby zaprogramować oświetlenie do pracy z pozostałymi akcesoriami, zapoznaj się z instrukcjami obsługi poszczególnych urządzeń wchodzących w skład wyposażenia dodatkowego.

### DODAWANIE ZDALNEGO OŚWIETLENIA LED MYQ DO KONTA MYQ

1. Naciskaj przycisk LEARN (uczenie) (L) znajdujący się na oświetleniu do chwili zaświecenia się zielonej diody LED.
2. Załóż się do aplikacji MyQ i dodaj swoje zdalne oświetlenie LED MyQ.

### KASOWANIE WSZYSTKICH ZAPROGRAMOWANYCH FUNKCJI ZDALNEGO OŚWIETLENIA LED MYQ

1. Naciśnij i przytrzymaj przycisk LEARN (uczenie) (L) do chwili zgaśnięcia diody LED (6-10 sekund). Wszystkie zaprogramowane funkcje zostały wykasowane.

## 27 Kasowanie pamięci

### KASOWANIE WSZYSTKICH ZAPROGRAMOWANYCH WCZEŚNIEJ FUNKCJI URZĄDZEŃ STEROWANIA I DOSTĘPU ZDALNEGO

1. Naciśnij i przytrzymaj przycisk LEARN (uczenie) (L) znajdujący się na napędzie bramy garażowej do chwili zgaśnięcia diody LED (około 6 sekund). Wszystkie zaprogramowane wcześniej funkcje urządzeń sterowania i dostępu zdalnego zostały wykasowane. Zaprogramuj wybrane przez siebie akcesoria, z których zamierzasz korzystać.

### KASOWANIE WSZYSTKICH URZĄDZEŃ (W TYM AKTYWNYCH AKCESORIÓW MYQ)

1. Naciśnij i przytrzymaj przycisk LEARN (uczenie) (L) znajdujący się na napędzie bramy garażowej do chwili zgaśnięcia diody LED (około 6 sekund).
2. Natychmiast ponownie naciśnij i przytrzymaj przycisk LEARN (uczenie) do chwili zgaśnięcia diody LED. Wszystkie kody zostały wykasowane. Zaprogramuj wybrane przez siebie akcesoria, z których zamierzasz korzystać.

### ERASE THE WI-FI NETWORK FROM THE GARAGE DOOR OPENER

1. Press and hold the black adjustment button (A) on the garage door opener until 3 beeps are heard (Approximately 6 seconds).

### KASOWANIE KONTA MYQ

Wejść na stronę [myliftmaster.eu](http://myliftmaster.eu), aby usunąć swoje konto MyQ.

## 28 Konserwacja napędu bramy garażowej

### HARMONOGRAM KONSERWACJI

#### RAZ W MIESIĄCU

- Dokonaj ręcznej obsługi bramy. W przypadku niewłaściwego wyważenia lub zacinaania się bramy wezwij przeszkolonego technika specjalizującego się w systemach bramowych.
- Upewnij się, że brama całkowicie otwiera się i zamyka. W razie potrzeby wyreguluj punkty krańcowe (patrz punkt 20 "Programowanie biegu bramy").
- Powtórz test bezpieczeństwa odwracania biegu bramy. Dokonaj wszelkich niezbędnych regulacji (patrz punkt 21 "Testowanie systemu bezpieczeństwa odwracania kierunku biegu bramy").

#### RAZ W ROKU

- Nasmaruj krażki, łożyska i zawiasy bramy. Napęd bramy garażowej nie wymaga dodatkowego smarowania. Nie smaruj prowadnic bramy.

### ZDALNE OŚWIETLENIE LED MYQ

- Przed przystąpieniem do czyszczenia odłącz oświetlenie od zasilania.
- Do czyszczenia używaj lekko wilgotnej ściereczki.
- NIE UŻYWAJ płynnych środków czyszczących do czyszczenia klosza

## 29 Wymiana baterii w urządzeniu zdalnego sterowania

### Baterie urządzenia zdalnego sterowania:

Baterie znajdujące się w urządzeniu zdalnego sterowania posiadają niezwykle długą żywotność. W przypadku zmniejszenia się zasięgu działania urządzenia, baterie należy wymienić. Baterie nie są objęte gwarancją.

### Przestrzegaj poniższych wskazówek dotyczących baterii:

Baterii nie należy utylizować wraz z odpadami domowymi. Zgodnie z przepisami prawa, wszyscy użytkownicy zobowiązani są do prawidłowej utylizacji baterii w wyznaczonych do tego celu punktach zbiórki. Nigdy nie ładuj ponownie baterii, które nie są do tego przeznaczone.

### Niebezpieczeństwo wybuchu!

Baterie przechowuj z dala od dzieci, nie powoduj zwarcia ani nie rozbieraj ich na części. W przypadku poknięcia baterii natychmiast poszukaj pomocy medycznej. W razie potrzeby, zanim rozpoczniesz ładowanie wyczyść styki baterii i urządzeń. Pamiętaj, aby niezwłocznie wyjmować z urządzeń zużyte baterie!

### Zwiększone ryzyko wycieku!

Nigdy nie wystawiaj baterii na działanie wysokich temperatur, spowodowanych bezpośrednim padaniem promieni słonecznych, bliskością ognia, itp. Zwiększa to ryzyko wycieku! Unikaj kontaktu ze skórą, oczami i błonami śluzowymi. Części ciała, które miały kontakt z kwasem akumulatorowym należy obficie przemyć zimną wodą i niezwłocznie skonsultować się z lekarzem. Używaj wyłącznie baterii tego samego typu. Jeżeli urządzenie przez dłuższy czas nie będzie wykorzystywane, pamiętaj o wyjęciu z niego baterii.

### Wymiana baterii:

Aby wymienić baterię, obróć urządzenie zdalnego sterowania i otwórz jego obudowę przy użyciu śrubokręta. Podnieś pokrywę i znajdującą się pod nią płytkę sterującą. Przesuń baterię w bok, a następnie ją wyjmij. Zwróć uwagę na biegunowość baterii! Ponownie zamontuj wszystkie elementy w odwrotnej kolejności.

### UWAGA!

Nieprawidłowa wymiana baterii stwarza ryzyko wybuchu. Wymieniane baterie powinny być identyczne lub stanowić odpowiednik wymienianych baterii (CR2032) 3V.



## 30 Utylizacja

Opakowania należy utylizować w pojemnikach, w których gromadzone są odpady przeznaczone do recyklingu. Zgodnie z Dyrektywą Europejską 2002/96/WE w sprawie zużytego sprzętu elektrycznego i elektronicznego, wraz z końcem okresu eksploatacyjnego omawianego urządzenia niezbędne jest poddanie go odpowiedniej utylizacji gwarantującej recykling wykorzystanych do jego budowy materiałów.



Utylizacja starych akumulatorów oraz baterii wraz z odpadami domowymi jest zabroniona, ponieważ zawierają one materiały wymagające stosowania odpowiednich procedur utylizacji, zbiórki w wyznaczonych do tego celu punktach lub korzystania ze specjalnych pojemników zapewnianych przez sprzedawców. Należy przestrzegać odnośnych przepisów krajowych. Poszczególne podzespoły należy utylizować w miejscowych przedsiębiorstwach utylizacji odpadów. Dodatkowo, należy również przestrzegać odpowiednich przepisów lokalnych i krajowych. Żaden z podzespołów napędu nie może być wyrzucany wraz odpadami domowymi. Informacje na temat prawidłowej utylizacji omawianego produktu uzyskasz od właściwego organu (miasta) lub przedsiębiorstwa zajmującego się utylizacją odpadów.

## 31 Tabela diagnostyczna

Napęd bramy garażowej posiada zaprogramowaną funkcję autodiagnostyki. Użytkownik będzie mógł zapoznać się z kodami diagnostycznymi obserwując mignięcia strzałek UP (W GÓRĘ) i DOWN (W DÓŁ) znajdujących się na napędzie bramy garażowej.

KOD DIAGNOSTYCZNY		SYMPTOM	ROZWIĄZANIE
Strzałka w górę Miga	Strzałka w dół Miga		
1	1	Napęd bramy garażowej nie zamyka bramy, a oświetlenie miga.	Jeżeli zamontowane zostały fotokomórki możliwe, że nie zostały prawidłowo podłączone lub doszło do przerwania przewodów. Sprawdź, czy przewody czujników nie zostały odłączone lub przerwane.
1	2	Napęd bramy garażowej nie zamyka bramy, a oświetlenie miga.	Mogło dojść do zwarcia lub fotokomórki podczerwieni zostały nieprawidłowo podłączone. Sprawdź przewody fotokomórek we wszystkich miejscach, w których zostały przymocowane za pomocą zszywek oraz punkty połączeń i w razie potrzeby wymień przewody lub wykonaj prawidłowe podłączenie.
1	3	Sterowanie bramą nie działa.	Doszło do zwarcia przewodów sterowania bramą lub moduł sterowania bramą jest niesprawny. Sprawdź przewody sterujące bramę we wszystkich punktach, w których zostały przymocowane za pomocą zszywek oraz punkty połączeń i w razie potrzeby wymień przewody lub wykonaj prawidłowe podłączenie.
1	4	Napęd bramy garażowej nie zamyka bramy, a oświetlenie miga.	Jeśli zainstalowane zostały fotokomórki podczerwieni, najprawdopodobniej zostały one nieprawidłowo wyrównane lub na ścieżce lasera pojawiła się chwilowa przeszkoda. Ponownie wyreguluj oba czujniki, aby upewnić się, że obie diody LED są stabilne i nie migoczą. Upewnij się, że na bramie nie zostało nic zawieszono ani zamontowane. Wszelkie tego typu objekty mogą być przyczyną przerwania ciągłości wiązki lasera podczas zamykania bramy.
1	5	Brama przemieszcza się o 15-20 cm, a następnie zatrzymuje lub zmienia kierunek biegu.	Otwórz i zamknij bramę ręcznie. Sprawdź, czy nie doszło do zacięcia się bramy lub, czy w jej obrębie nie pojawiła się przeszkoda taka, jak uszkodzona sprężyna lub blokada bramy. W razie potrzeby dokonaj odpowiednich napraw. Sprawdź połączenia przewodów na module jeżdżym i płycie głównej. W razie potrzeby wymień moduł jeżdżny.
1	5	Brak ruchu, słyszalne jest tylko pojedyncze kliknięcie.	Otwórz i zamknij bramę ręcznie. Sprawdź, czy nie doszło do zacięcia się bramy lub, czy w jej obrębie nie pojawiła się przeszkoda taka, jak uszkodzona sprężyna lub blokada bramy. W razie potrzeby dokonaj odpowiednich napraw. W razie potrzeby wymień płytę główną.
1	5	Napęd brzęczy przez 1-2 sekundy, brak ruchu	Otwórz i zamknij bramę ręcznie. Sprawdź, czy nie doszło do zacięcia się bramy lub, czy w jej obrębie nie pojawiła się przeszkoda taka, jak uszkodzona sprężyna lub blokada bramy. W razie potrzeby dokonaj odpowiednich napraw. W razie potrzeby wymień silniczek.
1	6	Brama po całkowitym zatrzymaniu opada.	Zaprogramuj bieg bramy do pozycji zatrzymania lub skontaktuj się z wykwalifikowanym technikiem w celu wyważenia bramy.
2	1-5	Brak ruchu lub dźwięku.	Wymień płytę główną.

KOD DIAGNOSTYCZNY		SYMPTOM	ROZWIĄZANIE
Strzałka w górę Miga	Strzałka w dół Miga		
3	1	Napęd bramy garażowej wykonuje nieznaczny ruch, a następnie zatrzymuje się.	Uruchom ponownie napęd bramy garażowej. Jeśli problem nie zostanie rozwiązany, wymień płytę główną.
3	3	Dioda LED stanu akumulatora stale miga na zielono.	Błąd obwodu ładowania akumulatora zasilania awaryjnego, wymień płytę główną
3	5	Napęd bramy garażowej nie zamyka bramy lub kierunek biegu bramy zostaje odwrócony.	Jeżeli wcześniej zainstalowałeś dwa czujniki naprężenia linki i jeden z nich został zdemontowany, odłącz i podłącz napęd trzykrotnie, aby czujnik mógł zostać przez niego zapamiętany. <ul style="list-style-type: none"> <li>• Sprawdź, czy w bramie nie znajdują się żadne przeszkody.</li> <li>• Sprawdź, czy czujnik naprężenia linki został prawidłowo podłączony do napędu.</li> <li>• Wymień czujnik naprężenia linki.</li> </ul>
4	1-4	Bieg bramy zostaje zatrzymany lub odwrócony.	Bieg bramy zostaje zatrzymany lub odwrócony.
4	5	Napęd przemieszcza się około 15-20 cm, zatrzymuje się i cofa.	Napęd przemieszcza się około 15-20 cm, zatrzymuje się i cofa.
4	6	Napęd bramy garażowej nie zamyka bramy, a oświetlenie miga.	Napęd bramy garażowej nie zamyka bramy, a oświetlenie miga.
5	5	Uruchomienie funkcji Timer-to-Close lub MyQ Smartphone Control nie powoduje zamknięcia bramy.	Uruchomienie funkcji Timer-to-Close lub MyQ Smartphone Control nie powoduje zamknięcia bramy.

## 32 Rozwiązywanie problemów

### Napęd bramy garażowej nie reaguje na sygnały modułu sterującego ani urządzenia zdalnego:

- Czy do napędu bramy garażowej doprowadzone zostało zasilanie? Podłącz oświetlenie do gniazdka. Jeżeli się nie zaświeci, sprawdź skrzynkę bezpiecznikową lub wyłącznik automatyczny. (Niektóre gniazdka włączane są za pomocą przełącznika ściennego.)
- Czy odłączyłeś wszystkie blokady bramy? Zapoznaj się z ostrzeżeniami dotyczącymi instrukcji montażu na stronie 5.
- Czy połączenia elektryczne zostały prawidłowo wykonane?
- Czy pod bramą gromadzi się lód lub śnieg? Brama mogła przymarznąć do podłoża. Usuń wszelkie przeszkody.
- Uszkodzeniu mogła ulec sprężyna bramy garażowej. Wymień sprężynę (patrz punkt 3 Planowanie).

### Napęd bramy reaguje na sygnały modułu sterującego z jednym przyciskiem lecz nie reaguje na sygnały urządzenia zdalnego:

- Ponownie zaprogramuj urządzenie zdalnego sterowania i w razie potrzeby wymień baterię. Powtórz tę czynność na wszystkich urządzeniach zdalnego sterowania.

### Brama sama się otwiera i zamyka:

- Upewnij się, że żaden z przycisków urządzenia zdalnego sterowania nie jest wcisnięty.
- Odłącz drut dzwonekowy od zacisków modułu sterującego wyposażonego w jeden przycisk i zacznij obsługiwać bramę wyłącznie zdalnie. Jeżeli wykonanie powyższej czynności rozwiąże problem będzie to oznaczało, że usterce uległ moduł sterujący z jednym przyciskiem lub doszło do zwarcia na przewodzie. Wymień moduł sterujący.
- Wykasuj pamięć i przeprogramuj wszystkie urządzenia zdalnego sterowania (zapoznaj się z instrukcjami dołączonymi do urządzeń lub odwiedź witrynę LiftMaster.eu).

### Moje urządzenie zdalnego sterowania nie uruchamia bramy garażowej:

- Sprawdź, czy w napędzie bramy nie została włączona funkcja blokady.
- Przeprogramuj urządzenie zdalnego sterowania.
- Jeżeli urządzenie zdalnego sterowania nadal nie jest w stanie uruchomić bramy, sprawdź kody diagnostyczne, aby upewnić się, że napęd bramy garażowej działa prawidłowo.

### Urządzenie zdalnego sterowania ma krótki zasięg:

- Zmień umiejscowienie urządzenia zdalnego sterowania w swoim samochodzie.
- Niektóre urządzenia mogą posiadać krótszy zasięg ze względu na zamontowaną metalową bramę, izolację wykonaną z folii metalowej lub metalowy siding garażu.

#### **Brama nie otwiera się całkowicie:**

- Sprawdź zasilanie elektrycznej blokady bramy.
- Czy jakikolwiek obiekt utrudnia bieg bramy? Czy brama jest nieprawidłowo wyważona lub czy uszkodzeniu nie uległy sprężyny? Usuń przeszkodę lub dokonaj naprawy bramy.

#### **Brama otwiera się, lecz się nie zamyka:**

- Sprawdź, czy czujnik napięcia linki został prawidłowo zainstalowany. Jeżeli drugi czujnik napięcia linki został zdemontowany wykonaj czynności przewidziane dla procedury ponownego uczenia się czujnika napięcia pojedynczej linki (patrz Punkt 14).
- Zanim napęd bramy garażowej zainicjuje ruch w dół niezbędne jest prawidłowe podłączenie i wyrównanie fotokomórek podczerwieni. Jeśli jesteś w stanie zamknąć bramę wykorzystując stały nacisk sprawdź, czy fotokomórki zostały poprawnie zainstalowane, wyrównane, a na ścieżce lasera nie znajdują się żadne przeszkody.
- Jeżeli oświetlenie napędu bramy garażowej zamrga, sprawdź fotokomórki podczerwieni.
- Jeżeli oświetlenie napędu bramy garażowej nie zamrga będzie to oznaczało, że instalacja jest nowa (patrz Punkt 14). Aby zapoznać się z instrukcjami dla już istniejącej instalacji, patrz poniżej.

Po zakończeniu regulacji powtórz test bezpieczeństwa odwracania kierunku biegu bramy.

#### **Brama zmienia kierunek biegu bez wyraźnego powodu, a oświetlenie napędu bramy garażowej nie mruga:**

- Sprawdź, czy czujnik napięcia linki został prawidłowo zainstalowany. W przypadku odłączenia jednego z czujników napięcia linki od napędu należy odłączyć oba czujniki. Następnie należy podłączyć czujnik, który zamierzamy używać, a następnie odłączyć i podłączyć napęd trzykrotnie, aby czujnik został zapamiętany. Dostarczony rezystor 1k służy wyłącznie do rozwiązywania problemów z konfiguracją CTM. Zgodnie z normą EN 12453 należy zainstalować monitor napięcia przewodu w celu prawidłowego wykrywania jego luzu.
- Czy jakikolwiek obiekt utrudnia bieg bramy? Pociągnij za uchwyt otwierania awaryjnego. Przystąp do ręcznej obsługi bramy. W przypadku niewłaściwego wyważenia lub zacina się bramy wezwij przeszkolonego technika specjalizującego się w systemach bramowych.
- Usuń wszelki nagromadzone na posadzce garażu lód lub śnieg.
- Zapoznaj się z Punktem 20.

Po dokonaniu niezbędnych regulacji powtórz test bezpieczeństwa odwracania kierunku biegu bramy.

#### **Brama nie zamyka się, a oświetlenie mruga:**

Zanim napęd bramy garażowej zainicjuje ruch w dół niezbędne jest prawidłowe podłączenie i wyrównanie fotokomórek podczerwieni.

- Sprawdź, czy fotokomórki podczerwieni zostały prawidłowo zainstalowane, wyrównane, a także czy na ścieżce lasera nie znajdują się żadne przeszkody.

#### **Napęd bramy garażowej ma problemy z obsługą bramy:**

- Brama może być niewłaściwie wyważona lub mogło dojść do uszkodzenia sprężyn. Zamknij bramę i rozłącz ją za pomocą uchwytu otwierania awaryjnego. Ręczne otwórz i zamknij bramę. Prawidłowo wyważona brama zatrzyma się w dowolnym wybranym przez użytkownika punkcie i będzie podtrzymywana wyłącznie na sprężynach. W przeciwnym razie odłącz napęd bramy garażowej i wezwij przeszkolonego technika specjalizującego się w systemach bram garażowych.

#### **Silnik napędu bramy garażowej emituje krótki dźwięk przypominający brzęczenie i nie wykonuje żadnego działania:**

- Uszkodzeniu mogły ulec sprężyny bramy garażowej. Patrz wyżej.
- Jeżeli problem wystąpi podczas pierwszego uruchomienia napędu bramy garażowej przyczyną może być zablokowana brama. Wyłącz elektryczną blokadę bramy.

#### **Napęd bramy garażowej nie działa z powodu awarii zasilania:**

- Ręcznie otwórz elektryczną blokadę bramy.
- Odłącz bramę za pomocą uchwytu otwierania awaryjnego. Od teraz możliwe będzie ręczne otwieranie i zamykanie bramy garażowej. Po przywróceniu zasilania ponownie pociągnij za uchwyt zwalniania ręcznego.
- Wyłącz wszystkie blokady bramy. Odłącz bramę za pomocą uchwytu otwierania awaryjnego. Od teraz możliwe będzie ręczne otwieranie i zamykanie bramy garażowej.

#### **Brama gubi punkty końcowe:**

- Kołnierz nie został prawidłowo dokręcony. Dokręć kołnierz i ponownie zaprogramuj punkty końcowe (patrz pkt 20).

#### **Podczas pracy bramy, napęd przemieszcza się:**

- W przypadku omawianego produktu jego nieznaczne przemieszczanie się jest całkowicie dopuszczalne. Należy jednak pamiętać, że nadmierne ruchy napędu będą skutkować przedwczesnym zużyciem się kołnierza.
- Upewnij się, że drążek skrętny nie przesuwają się nadmiernie w lewo ani w prawo.
- Upewnij się, podczas obracania się drążka skrętnego nie porusza się on w górę ani w dół.
- Upewnij się, że napęd został zamontowany pod kątem prostym do wałka napędowego pośredniego. Jeśli nie, zmień położenie wspornika montażowego.

**Złącze automatycznej blokady bramy nie pasuje do gniazda napędu bramy:**

- Starsze modele blokad 24V nie są kompatybilne. Użyj automatycznej blokady bramy – model 841EU, patrz strona Akcesoria.

**Automatyczna blokada bramy garażowej nie uaktywnia się, gdy brama jest otwierana lub zamykana:**

- W tym trybie, w przypadku gdy brama garażowa będzie otwarta, automatyczna blokada bramy garażowej zostanie zwolniona. Dopiero przywrócenie zasilania umożliwi jej ponowne uruchomienie.

**Napęd emituje sygnał dźwiękowy:**

- Wskazuje na zamykanie bezobsługowe. Napęd został uruchomiony przez aplikację MyQ App, Garage Monitor lub Gate Monitor.
- Pomarańczowa dioda LED świecąca światłem stałym oraz sygnał dźwiękowy emitowany mniej więcej co 2 sekundy wskazuje, że napęd bramy pracuje na zasilaniu akumulatorowym.
- Migająca pomarańczowa dioda LED oraz sygnał dźwiękowy emitowany co 30 sekund wskazuje, że akumulator jest rozładowany.
- Czerwona dioda LED świecąca światłem stałym oraz sygnał dźwiękowy emitowany co 30 sekund informuje o końcu żywotności 12V akumulatora oraz konieczności dokonania jego wymiany.

**Brama garażowa emituje sygnał dźwiękowy, a czerwona dioda LED miga:**

Poziom naładowania akumulatora jest niski lub akumulator jest rozładowany.

- Wymień akumulator.

**MyQ Smartphone Control, bezprzewodowe urządzenia MyQ oraz Timer-To-Close nie działają:**

- W trybie zasilania awaryjnego sterowanie smartfonem MyQ Smartphone Control oraz bezprzewodowe urządzenia MyQ nie będą działać.
- Aby możliwe było obsługiwane bramy za pomocą funkcji Timer-to-Close lub MyQ Smartphone Control, najpierw należy zamontować zdalne oświetlenie LED MyQ. Podłącz zdalne oświetlenie LED MyQ i upewnij się, że zostało ono zaprogramowane do obsługi napędu bramy garażowej. Włączenie funkcji Timer-to-Close i MyQ Smartphone Control może potrwać do 5 minut.

### 33 Akcesoria opcjonalne

Zawsze korzystaj z akcesoriów firmy LiftMaster.

Produkty innych firm mogą prowadzić do powstawania usterek.

1.	TX4UNIF	4-kanalowe, uniwersalne urządzenie zdalnego sterowania
2.	TX4EVS	4-kanalowy sterownik zdalny
3.	TX4UNI/S	4-kanalowe, uniwersalne urządzenie zdalnego sterowania
4.	128EV	2-kanalowe, bezprzewodowe urządzenie zdalnego sterowania
5.	747EV	Klawiatura
6.	78EV	Przewodowe, wielofunkcyjne urządzenie sterujące
7.	FLA-1LED	Migające oświetlenie
8.	772E	Fotokomórki
9.	100034	Wyłłącznik kluczykowy (wpuszczany)
10.	100041	Wyłłącznik kluczykowy (montowany na powierzchni)
11.	829EV	Czujnik bramy garażowej
12.	485EU	Zasilanie awaryjne
13.	827EV	Zdalne oświetlenie LED MyQ:
14.	041A9264	Czujnik naprężenia linki
15.	841EU	Automatyczna blokada bramy

### 34 Dane techniczne

Napięcie wejściowe	230-240 VAC, 50 Hz
Maks. moment obrotowy	36 Nm - AC + Zasilanie 29 Nm - AC
Nominalny moment obrotowy	10 Nm
Moc	150 W
Zasilanie awaryjne	2,6 W
Typ silnika	Silnik elektryczny DC ze stałym smarowaniem
Poziom hałasu	57dB
Szybkość biegu	21 obr./min. (w dół), 36 obr./min. (w górę)
Bezpieczeństwo użytkowników	Wciśnij przycisk oraz zatrzymanie automatyczne tak, aby były skierowane w dół. Wciśnij przycisk oraz zatrzymanie automatyczne tak, aby były skierowane w górę.
Moduł elektroniczny	Automatyczna regulacja siły
Moduł elektryczny	Zabezpieczenie przed przeciążeniem transformatora i okablowanie przycisku niskonapięciowego.
Urządzenie ograniczające	Czujnik prędkości obrotowej/punktów przejścia.
Regulacja punktów krańcowych	Elektroniczna, półautomatyczna i automatyczna.
Obwód startowy	Obwód przycisku niskonapięciowego.
Maks. wysokość bramy	3 m
Maks. szerokość bramy	5,5 m
Maks. powierzchnia bramy	16,5 m <sup>2</sup>
Maks. waga bramy	130 kg
Masa bramy wiszącej	11 kg
Rejestry pamięci odbiornika	64
Częstotliwość pracy	433 / 868 MHz, 2,4 GHz

## 35 Instrukcje z zakresu bezpiecznego użytkowania i konserwacji automatycznego napędu bramy garażowej

### BEZPIECZEŃSTWO UŻYTKOWANIA NAPĘDU BRAMY GARAŻOWEJ – OPCJA ZAUTOMATYZOWANA

Brama garażowa jest największym ruchomym obiektem w obrębie domu. Nieprawidłowo wyregulowana brama garażowa oraz jej napęd mogą podczas zamykania generować siły na tyle duże, iż będą stwarzać ryzyko przygniecenia znajdujących się w pobliżu dzieci lub osób dorosłych, a także mogą doprowadzić do doznania urazów, a nawet śmierci.

Prawidłowy montaż, obsługa, konserwacja i kontrola bramy garażowej oraz napędu automatycznego są niezbędne do zapewnienia bezpiecznego i bezproblemowego działania systemu. Nieostrożne użytkowanie lub umożliwienie dzieciom zabawy bądź obsługi napędu bramy garażowej wiąże się z ogromnym niebezpieczeństwem. Kilka wyszczególnionych poniżej podstawowych środków ostrożności może uchronić Twoją rodzinę i przyjaciół przed potencjalnym niebezpieczeństwem. Prosimy o dokładne zapoznanie się ze wskazówkami na temat bezpieczeństwa i konserwacji zawartymi w niniejszej broszurze oraz o jej zachowanie do późniejszego wglądu. Sprawdź działanie bramy garażowej i napędu, aby upewnić się co do ich bezpiecznego i bezproblemowego działania. Koniecznie zapoznaj się ze wszystkimi ważnymi informacjami na temat bezpieczeństwa zawartymi w instrukcji obsługi swojego napędu bramy garażowej, gdyż zawarte zostały w niej rozszerzone informacje dotyczące bezpieczeństwa.

### Napędy bram garażowych, to nie zabawki

Porozmawiaj z dziećmi na temat bezpieczeństwa korzystania z bram garażowych i napędów. Wyjaśnij jak niebezpieczne jest przygniecenie bramą



**Nie zbliżaj się do bramy, gdy jest ona w ruchu.**



**Nadajniki i urządzenia zdalnego sterowania przechowuj w miejscu niedostępnym dla dzieci.** Nie pozwól dzieciom na korzystanie z ani zabawę nadajnikami lub innymi urządzeniami zdalnego sterowania.



**Przycisk ścienny powinien znajdować się poza zasięgiem dzieci,** w odległości co najmniej 5 stóp (1,5 m) od najbliższego obiektu wolnostojącego oraz z dala od wszelkich elementów ruchomych. Zamontuj przycisk w miejscu, z którego wyraźnie widać otoczenie zamykającej się bramy garażowej.



**W przypadku korzystania z zamontowanego na ścianie przycisku lub nadajnika brama powinna znajdować się w polu widzenia użytkownika do chwili jej całkowitego zamknięcia.**

## 36 Wykonywanie rutynowych czynności konserwacyjnych może zapobiec tragicznym w skutkach wypadkom

W ramach rutynowych czynności kontrolnych, raz w miesiącu sprawdź i przetestuj działanie bramy garażowej oraz napędu. Zapoznaj się z instrukcją obsługi bramy garażowej i napędu. Jeśli nie posiadasz takich instrukcji obsługi, skontaktuj się z producentem (producentami) i poproś o udostępnienie Ci kopii (zwróć uwagę na model posiadanego urządzenia). Sprawdzić numer modelu napędu, który znajdziesz z tyłu urządzenia.



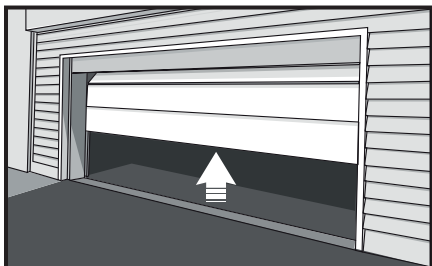
**OSTRZEŻENIE – Sprężyny znajdują się pod dużym napięciem. Ich regulacji powinny dokonywać wyłącznie osoby wykwalifikowane.**

### Kontrola wzrokowa bramy i instalacji:



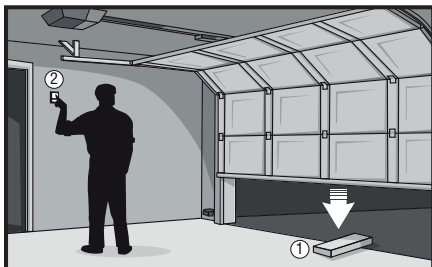
- Zaczynj od bramy w położeniu zamkniętym. Korzystając z napędu użyj funkcji ręcznego rozłączania w celu rozłączenia bramy.
- Poszukaj śladów zużycia lub uszkodzeń na zawiasach, krążkach, sprężynach i panelach bramy.
- Elementy te mogą wymagać okresowego smarowania. Zapoznaj się z instrukcją obsługi, aby uzyskać informacje na temat zalecanych czynności konserwacyjnych.
- W przypadku widocznych śladów uszkodzeń należy skontaktować się z przeszkolonym technikiem specjalizującym się w systemach bramowych.
- Sprawdź, czy fotokomórka nie znajduje się wyżej niż 6" (15 cm) od posadzki garażu.

### Sprawdź, czy brama działa prawidłowo:



- Otwórz i zamknij bramę ręcznie używając do tego celu uchwytów lub odpowiednich rękojeści.
- Brama powinna poruszać się płynnie i swobodnie.
- Brama powinna być odpowiednio wyważona i zatrzymać się na wysokości 3-4 stóp (około 1 metra) od podłoża.
- W przypadku stwierdzenia jakichkolwiek oznak nieprawidłowego działania należy wezwać przeszkolonego technika specjalizującego się w systemach bram garażowych.

### Sprawdź funkcje zabezpieczające napędu:



- Ponownie podłącz napęd do bramy garażowej za pomocą funkcji ręcznego rozłączania, a następnie otwórz bramę.
- W świetle bramy (1) umieść deskę o grubości 40 mm, a następnie spróbuj zamknąć bramę (2). W chwili zetknięcia się z deską, brama powinna się zatrzymać, a następnie zmienić kierunek biegu.
- Zablokuj czujnik fotokomórki przesuwając przed nim dowolnym przedmiotem, a następnie spróbuj zamknąć bramę. Brama nie powinna się zamknąć dopóki przytrzymany nie zostanie zainstalowany na ścianie przycisk.
- W przypadku stwierdzenia jakichkolwiek oznak nieprawidłowego działania napędu należy wezwać przeszkolonego technika specjalizującego się w systemach bram garażowych.

**Poznámka:**

Původní návod k instalaci a obsluze byl sepsán anglicky.  
Všechny ostatní jazyky jsou překladem původní anglické verze.

<b>1</b>	Obecné bezpečnostní pokyny .....	2
<b>2</b>	Zamýšlené použití .....	3
<b>3</b>	Plánování provozu vrat.....	3
<b>4</b>	Plánování obsluhy pomocí MyQ.....	3
<b>5</b>	Příprava garážových vrat.....	4
<b>6</b>	Potřebné nářadí.....	4
<b>7</b>	Obsah krabice .....	4
<b>8</b>	Vyžadované příslušenství.....	4
<b>9</b>	Upevnění objímky k otevírání garážových vrat.....	5
<b>10</b>	Upevnění montážního držáku k otevírání garážových vrat .....	5
<b>11</b>	Umístění a montáž otevírání garážových vrat .....	5
<b>12</b>	Upevnění lana a madla nouzového uvolnění .....	5
<b>13</b>	Instalace automatického zámku vrat .....	6
<b>14</b>	Instalace povinného monitoru napětí lanka (041A9264) (vyžadované příslušenství) .....	6
<b>15</b>	Instalace světla LED dálkového ovládání MyQ (určeno pouze pro suché prostory) .....	7
<b>16</b>	Elektroinstalace .....	7
<b>17</b>	Instalace fotobuněk .....	7
<b>18</b>	Připojení napájení.....	8
<b>19</b>	Instalace záložní baterie (volitelné příslušenství).....	8
<b>20</b>	Programování dráhy .....	9
<b>21</b>	Test bezpečnostního zpětného systému .....	9
<b>22</b>	Ruční otevření vrat .....	10
<b>23</b>	Používání otevírání garážových vrat .....	10
<b>24</b>	Připojení chytrého telefonu.....	12
<b>25</b>	Programování otevírání a dálkového ovládání / bezdrátové tlačítko / bezdrátová klávesnice (volitelně).....	13
<b>26</b>	Programování světla LED dálkového ovládání MyQ .....	13
<b>27</b>	Vymazání paměti .....	14
<b>28</b>	Údržba otevírání garážových vrat.....	14
<b>29</b>	Výměna baterií dálkového ovládání .....	14
<b>30</b>	Likvidace.....	15
<b>31</b>	Schéma diagnostiky .....	15
<b>32</b>	Řešení problémů .....	16
<b>33</b>	Volitelné příslušenství.....	18
<b>34</b>	Technické údaje.....	18
<b>35</b>	Bezpečnostní pokyny a pokyny k údržbě automatického otevírání garážových vrat .....	19
<b>36</b>	Rutinní údržba může zabránit tragédii.....	20



# VAROVÁNÍ!

## ZAČNĚTE TÍM, ŽE SI PŘEČTETE TATO DŮLEŽITÁ BEZPEČNOSTNÍ UPOZORNĚNÍ!

### 1 Obecné bezpečnostní pokyny

Než začnete s instalací:

Přečtěte si návod k obsluze a zejména část věnovanou bezpečnostním opatřením. Návod si uschovejte pro budoucí potřebu a předejte jej případnému dalšímu vlastníkovi. Před pokyny, jak předejít zranění či škodám na majetku jsou uvedeny následující symboly. Tyto pokyny si pečlivě přečtěte.



#### POZOR

Zranění či škoda na majetku



#### POZOR

Nebezpečí v důsledku elektrického proudu nebo napětí

#### Důležité bezpečnostní informace

Automatický systém otevírání vrat byl samozřejmě testován a navržen pro bezpečný provoz, ale bezpečnost lze zajistit, pouze pokud jsou během instalace a používání přísně dodržovány bezpečnostní pokyny uvedené níže. Tento výrobek smí instalovat pouze zaškolení technici pro garážová vrata. Tento výrobek může vyžadovat úpravy pružin nebo pojezdu vrat. Tento výrobek není určen k použití u pojezdů s nízkou průjezdnou výškou s vnějším bubnem nebo garážových vrat používajících prodlužovací pružiny

- Instalační technik (odborník) si před zahájením jakékoli práce musí pečlivě přečíst tyto pokyny a porozumět jim. Před prvním použitím a alespoň jednou ročně musí odborník zkontrolovat okna, vrata a brány s pohonem ohledně jejich bezpečného stavu. Odborník je osoba, která má na základě svého technického vyučení a odbornosti dostatečné znalosti v oblasti oken, vrat a bran s pohonem a dále zná odpovídající národní směrnice bezpečnosti práce a obecně uznávaná pravidla použité technologie v takovém rozsahu, že rovněž dokáže vyhodnotit bezpečný provozní stav oken, vrat a bran s pohonem.
- Instalační technik musí znát následující normy: EN 13241, EN 12604, EN 12453. Vyškolený specialista/odborník musí proškolit obsluhu v těchto bodech:
  - Provoz pohonu a s ním související nebezpečí
  - Používání mechanismu manuálního nouzového odblokování
  - Pravidelná údržba, kontrola a péče a úkoly obsluhy
  - Obsluha musí instruovat ostatní uživatele o obsluze pohonu Po úspěšné instalaci pohonu musí osoba odpovědná za instalaci pohonu vydat prohlášení o shodě ES pro systém vrat v souladu se směrnicí 2006/42/ES o strojním zařízení. Na systém vrat musí být instalována značka CE a typový štítek. To je povinné rovněž při dodatečné montáži u manuálně ovládaných vrat. Dále je nutné vyplnit předávací protokol a inspekční knihu.
- Vrata musí být vyvážená. Nepohyblivá nebo zaseknutá vrata musí být opravena. V nevyváženém stavu mohou být garážová vrata, pružiny vrat, lanka, kotouče, držáky a koleje pod vysokým napětím a způsobit vážné zranění. V takovém případě se nepokoušejte vrata uvolnit, pohybovat s nimi nebo je vyrovnávat, ale obraťte se na servisní středisko nebo odborníka na vrata.
- Během instalace či údržby otevírání vrat je zakázáno nosit šperky, hodinky či volné oblečení.
- Aby nedošlo k vážnému poranění v důsledku zapletení, před instalací otevírání vrat odstraňte všechna lanka a řetězy připojená k vratům.
- Během instalace a elektroinstalace je nutné dodržovat místní směrnice pro budovy a elektroinstalace.
- Podle normy EN12453 je vyžadována instalace monitoru napětí lanka.
- Aby nedošlo k poškození velmi lehkých vrat (např. sklolaminátových, hliníkových nebo ocelových vrat), musí být doinstalováno vhodné vyztužení. V této záležitosti se obraťte na výrobce vrat.
- Automatický bezpečnostní zpětný systém musí projít testem. Při styku s překážkou na zemi vysokou 40 mm se garážová vrata MUSÍ vrátit. Nesprávné seřízení otevírání vrat může vést při zavírání garážových vrat k vážnému zranění. Test opakujte jednou měsíčně a proveďte veškeré potřebné úpravy.
- Tento systém nesmí být instalován ve vlhkých nebo mokřích oblastech.
- Během používání nesmí brána za žádných okolností překážet ve veřejném průchodu.
- Jako upomenutí bezpečné obsluhy pro všechny obsluhující personál musí být kromě osvětleného nástěnného přepínače upevněno varování kvůli ochraně dětí. Varovné štítky ohledně rizika zachycení musí být umístěny na jasně viditelných místech.
- Je třeba dohlédnout, aby si děti se zařízením nehrály. Nenechte děti, aby obsluhovaly tlačítka nebo dálkové ovládání.
- Toto zařízení nesmí obsluhovat osoby (včetně dětí) s omezenými fyzickými, smyslovými nebo mentálními schopnostmi nebo nedostatečnou zkušeností či znalostí, pokud nejsou pod dohledem osoby odpovědné za jejich bezpečnost nebo neobdrželi pokyny ohledně používání tohoto zařízení.
- Všechny zábrany/zámky jsou deaktivovány, aby nedošlo k poškození vrat.
- V případě potřeby MUSÍ být instalované ovládací zařízení instalováno v dohledu vrat a mimo dosah dětí. Dětem nesmí být dovoleno obsluhovat tlačítka či dálkové ovládání. Nesprávné použití otevírání vrat může vést k vážnému zranění.
- Otevírání vrat smí být používáno, POUZE pokud obsluha vidí celý prostor vrat a má jistotu, že nejsou přítomny žádné překážky a otevírání vrat je správně nastaveno. Vraty nesmí nikdo procházet, dokud se pohybují. V blízkosti vrat si nesmí hrát děti.
- Manuální uvolnění použijte pouze pro oddělení během oudu o pohonu a – je-li to možné – POUZE při zavřených vratech. Nepoužívejte červené madlo ke zvednutí či stažení vrat.
- Před provedením jakýchkoli oprav nebo odstraněním krytů musí být otevírání vrat izolováno od elektrického napájení. **Opravy a elektroinstalaci smí provádět pouze autorizovaný elektrikář.**

- Tento výrobek má měnič se speciálním napájecím kabelem. V případě poškození MUSÍ být vyměněn za originální měnič kvalifikovaným technikem.
- Používání nouzového uvolnění může vést v případě slabých nebo prasklých pružin či nevyváženosti vrat k jejich nekontrolovaným pohybům.
- Uvolňovací madlo instalujte do výšky alespoň 1,80 m.
- Funkce, jako je časovač zavírání (TTC), ovládací aplikace MyQ pro chytré telefony a monitor garážových vrat a brány MyQ, představují bezobslužné možnosti zavírání a lze je používat POUZE s panelovými vraty. Jakékoli zařízení nebo funkce, které umožňují zavřít vrata, aniž na ně obsluha přímo vidí, jsou považovány za bezobslužné zavírání. Funkce časovače zavírání (TTC), ovládací aplikace MyQ pro chytré telefony a všechna ostatní zařízení MyQ smí být používány POUZE s panelovými vraty.
- Pohon se nesmí používat, pokud jsou garážová vrata vybavena průchozími dveřmi.

Tyto pokyny si uschovejte

## 2 Zamýšlené použití

Toto zařízení je určeno pro otevírání a zavírání vrat, která používají torzní tyč a pružiny (viz část 3 „Plánování“). Toto zařízení není určeno pro komerční použití, ale pouze pro použití u soukromých garážových vrat, která jsou vhodná pro jednu domácnost. Jakékoli nevhodné používání pohonu může zvýšit nebezpečí nehod. Výrobce nenese žádnou odpovědnost za takové používání. K pohonu smí být připojeno pouze originální příslušenství LiftMaster. S tímto pohonem musí automatické brány vyhovovat aktuálně platným mezinárodním, státním a místním normám, pravidlům a směrnícím (EN 13241, EN 12453 a EN 12604).

## 3 Plánování provozu vrat

Prozkoumejte oblast a zjistěte, zda se na instalaci nevztahuje některá z následujících podmínek.

V závislosti na vašich požadavcích mohou být vyžadovány další materiály.

**TOTO OTEVÍRÁNÍ VRAT JE KOMPATIBILNÍ S:**

- Vrata, která používají torzní tyč a pružiny. Torzní tyč musí mít průměr 25,4 mm. NENÍ kompatibilní s bubny s obráceným navijením.
- Bubny 80–120 mm, nepoužívat u kónických bubnů nad 120 mm.
- Panelová vrata zdvihem do výšky až 3 m.
- Vrata s šířkou do 5,5 m.
- Vrata s plochou do 16,5 m<sup>2</sup>.

*Poznámka: Zkontrolujte torzní tyč při zvednutých a spuštěných vratech. Je důležité, aby nebyl přítomen ztelný pohyb nahoru a dolů nebo doleva a doprava. Pokud pohyb není napraven, životnost otevírání garážových vrat se výrazně zkrátí.*

Provedte kontrolu navrženého místa instalace. Otevírání vrat lze instalovat nalevo nebo napravo od vrat. Vyberte stranu, která splňuje níže uvedené požadavky.

- Musí být alespoň 6,4 cm mezi stěnou a středem torzní tyče.
- Musí být alespoň 7,6 cm mezi stropem a středem torzní tyče.
- Musí být alespoň 21,6 cm mezi postranní stěnou (nebo překážkou) a koncem torzní tyče.
- Torzní tyč musí přecházet přes ložisko alespoň o 3,81 cm. To se může lišit podle vašich instalačních požadavků.
- Do vzdálenosti 1,83 m od místa instalace se musí nacházet elektrická zásuvka. Pokud taková zásuvka není přítomna, obraťte se na kvalifikovaného elektrikáře.

## 4 Plánování obsluhy pomocí MyQ

Tento ovládací prvek umožňuje ovládání pomocí MyQ – je nutné instalovat fotočůvky. Monitorujte a ovládejte svá garážová vrata odkudkoli pomocí aplikace MyQ.

**NEŽ ZAČNETE:**

Budete potřebovat:

- Chytrý telefon, tablet nebo notebook s rozhraním Wi-Fi
- Širokopásmové internetové připojení
- Wi-Fi signál v garáži (vyžadován standard 802.11b/g/n, 2,4 Ghz)
- Heslo k vaší domácí síti (hlavní účet routeru, nikoli síť pro hosty)

**TEST SÍLY WI-FI SIGNÁLU**

Zkontrolujte, že je vaše mobilní zařízení připojeno k síti Wi-Fi.

Držte své mobilní zařízení na místě, kde bude instalováno otevírání garážových vrat, a zkontrolujte sílu signálu Wi-Fi.

**Signál Wi-Fi je silný.**

Otevírání garážových vrat se připojí k vaší síti Wi-Fi.

**Signál Wi-Fi je slabý.**

Otevírání garážových vrat se může připojit k vaší síti Wi-Fi. Pokud ne, vyzkoušejte jednu z možností níže pro zlepšení signálu Wi-Fi:

**Žádný signál Wi-Fi.**

Otevírání garážových vrat se nebude moci připojit k vaší síti Wi-Fi.

Vyzkoušejte jednu z možností níže pro zlepšení signálu Wi-Fi:

- Přemístěte router blíže k otevírání garážových vrat, abyste minimalizovali rušení stěn a dalších objektů
- Kupte si rozšiřovač sítě Wi-Fi

## 5 Příprava garážových vrat



**POZOR:** Pokud se vrata svinují, zasekávají nebo nejsou vyvážená, **VŽDY** přivolejte technika vyškoleného pro vratové systémy. Nevyvážená garážová vrata se **NEMUSÍ** vracet, když je to potřeba. **NIKDY** se nepokoušejte garážová vrata, pružiny vrat, lanka, kladky, držáky či další upevňovací prvky, které jsou pod **NADMĚRNÝM** napnutím, povolit, pohnout s nimi nebo je seřizovat. **PŘED** instalací a provozem otevírání garážových vrat deaktivujte **VŠECHNY** zámky a odstraňte **VŠECHNA** lana připojená ke garážovým vratům, tím předejdete zaplétení. Tento otevírací systém disponuje funkcí bezobslužné obsluhy. Vrata se mohou nečekaně pohybovat. **DO CESTY POHYBUJÍCÍCH SE VRAT NESMÍ NIKDO VSTUPOVAT.**

### NEŽ ZAČNETE:

- Deaktivujte zámky.
- Odstraňte všechna lana připojená ke garážovým vratům.

Dokončete následující test pro ověření, že jsou garážová vrata vyvážená a nejsou zablokovaná ani se nesvinují:

- Zvedněte vrata do poloviny. Uvolněte vrata. Pokud jsou vyvážená, zůstanou na místě zcela spočívající na pružinách.
- Zvedněte a spusťte vrata a zkontrolujte svinování nebo blokování.
- Vrata těžší než 130 kg se **NESMÍ** otevírat ani zavírat rychle.

Pokud se vrata svinují, zablokovávají nebo nejsou vyvážená, přivolejte technika vyškoleného pro vratové systémy.

## 6 Potřebné nářadí

Během montáže, instalace a seřízení otevírání garážových vrat bude v pokynech odkazováno na ruční nářadí uvedené níže.

- |                   |                             |
|-------------------|-----------------------------|
| 1. Štafle         | 7. Šroubovák                |
| 2. Vrtačka        | 8. Vodováha                 |
| 3. Svinovací metr | 9. Tesařské kladivo         |
| 4. Štípací kleště | 10. Bity a klíč s nástavcem |
| 5. Kleště         | 11. Stavitelný klíč         |
| 6. Vrtáky         | 12. Tužka                   |

## 7 Obsah krabice

Pokud cokoli chybí, pečlivě zkontrolujte obalový materiál.

### OTEVÍRÁNÍ GARÁŽOVÝCH VRAT

- |   |    |
|---|----|
| 1. Otevírání garážových vrat, LM3800W       | 1x |
| 2. Automatický zámek garážových vrat, 841EU | 1x |
| 3. Montážní držák                           | 1x |
| 4. Objímka se stavěcími šrouby              | 1x |
| 5. Bezpečnostní štítky                      | 1x |
| 6. 4tlačítkové dálkové ovládání, TX4EVF     | 2x |
| 7. Světlo LED dálkového ovládání MyQ, 827EV | 1x |
| 8. Návod                                    |    |

### SOUČÁSTI SVĚTLA DÁLKOVÉHO OVLÁDÁNÍ

- |   |    |
|---|----|
| 9. Kotva do sádrokartonu (závrtná), 42 mm | 2x |
| 10. Šroub 27,85 mm                        | 2x |

### SÁČEK S MONTÁŽNÍMI PRVKY

- |  |    |
|--|----|
| 11. Šroub 15 mm                              | 2x |
| 12. Šroub 54,8 mm                            | 4x |
| 13. Madlo                                    | 1x |
| 14. Lano                                     | 1x |
| 15. Šroub 15 mm                              | 2x |
| 16. Kotva do sádrokartonu (závrtná), 36,8 mm | 4x |
| 17. Šroub 22 mm                              | 2x |

## 8 Vyžadované příslušenství

Monitor napětí lanka 041A9264.

IR fotobuňky (pro provoz MyQ: 771EV nebo 772E nebo 771EVK nebo G770E).

## 9 Upevnění objímky k otevírání garážových vrat

Abyste předešli problémům během instalace, nespouštějte otevírání garážových vrat, dokud k tomu nejste vyzváni.

Otevírání garážových vrat lze instalovat na libovolnou stranu vrat (viz část Plánování). Obrázky mají pouze ilustrační charakter, naleznete je v listu s obrázky.

1. Povolte stavěcí šrouby.
2. Připevněte objímku k hřídeli motoru otevírání garážových vrat. Strana objímky s větším otvorem musí být umístěna na hřídel motoru.
3. Objímka musí být nasazena na hřídeli motoru až na doraz.
4. Umístěte objímku tak, aby šrouby směřovaly vně a po připojení k torzní tyči byly přístupné.
5. Řádně utáhněte 2 stavěcí šrouby s čtvercovou hlavou nejbližší hřídeli motoru otočením šroubů o 1/4 až 1/2 otáčky po dosažení styku s hřídeli motoru.

## 10 Upevnění montážního držáku k otevírání garážových vrat



1. Pomocí dodaných šroubů volně připevněte stranu s otvory na montážní držák na stejnou stranu otevírání garážových vrat, jako je objímka (11).

*Poznámka: Šrouby neutahujte, dokud k tomu nejste vyzváni.*

## 11 Umístění a montáž otevírání garážových vrat



Při instalaci montážního držáku do zdiva **MUSÍ** být použity betonové kotvy. **NIKDY** se nepokoušejte garážová vrata, pružiny, kladky, držáky ani jiné montážní prvky, které jsou pod NADMĚRNÝM napnutím, povolit, pohnout s nimi nebo je seřizovat. Pokud se vrata svinují, zasekávají nebo nejsou vyvážená, **VŽDY** přivolejte technika / instalačního technika / odborníka vyškoleného pro vratové systémy. Nevyvážená garážová vrata se **NEMUSÍ** vracet, když je to potřeba. Otevírání garážových vrat **MUSÍ** být instalováno pravouhře k torzní tyči, aby se předešlo předčasnému opotřebení objímky. Zvažte podmínky v místě instalace.

*Poznámka: Další možnosti instalace naleznete na stránce věnované příslušenství.*

1. Garážová vrata zcela zavřete.
2. Nasuňte otevírání garážových vrat na konec torzní tyče. Pokud je torzní tyč příliš dlouhá nebo poškozená, může být nezbytné část odříznout. Objímka se **NESMÍ** dotýkat ložiska.
3. Použijte vodováhu k umístění a vyrovnání otevírání garážových vrat ve svislém směru. Ověřte, že jsou montážní držáky umístěny na pevném povrchu, jako je dřevo, beton nebo držák vrat/vlajky. V případě instalace na sádkarton **MUSÍ** být montážní držák upevněn k profilu.
4. Po důkladném vyrovnání otevírání garážových vrat označte otvory pro montážní držák. Dle potřeby utáhněte šrouby objímky na torzní tyči pro zajištění otevírání garážových vrat na místě během označování otvorů. **POZNÁMKA:** Otevírání garážových vrat není nutné zapouštět do zdi.
5. Sejměte otevírání garážových vrat z torzní tyče. Na označených místech vyvrtejte 5 mm pilotní otvory. V případě potřeby vrtejte skrze kovové části kolejnice vrat.
6. Nasuňte otevírání garážových vrat zpět na torzní tyč, aby byly pilotní otvory zarovnané s držákem.
7. Utáhněte 2 stavěcí šrouby s čtvercovou hlavou na torzní tyči. V případě duté torzní tyče utáhněte šrouby po dosažení styku s tyčí o 3/4 až 1 celou otáčku. V případě pevné torzní tyče utáhněte šrouby po dosažení styku s hřídelí o 1/4 až maximálně 1/2 otáčky. V případě instalace na torzní tyč s perem **NEUTAHUJTE** šrouby do drážky pera.
8. Připevněte montážní držák na stěnu a k otevírání garážových vrat. K upevnění montážního držáku na stěnu použijte šrouby (12).

## 12 Upevnění lana a madla nouzového uvolnění



Je-li to možné, používejte madlo nouzového uvolnění k uvolnění vrat, **POUZE** pokud jsou garážová vrata **ZAVŘENÁ**. Slabé nebo poškozené pružiny nebo nevyvážená vrata mohou mít za následek rychlé nebo nečekané zavření otevřených vrat. **NIKDY** nepoužívejte madlo nouzového uvolnění, pokud není prostor garážových vrat prostý osob a jiných překážek.

1. Vložte jeden konec lana nouzového uvolnění do madla. Text „NOTICE“ (Upozornění) musí být správnou stranou nahoru. Zajistěte uzlem alespoň 2,5 cm od konce lana, který zamezí sklouznutí.
2. Vedte druhý konec lana nouzového uvolnění skrze otvor v rameni pro uvolnění kladky. Upevněte nouzové uvolnění v dosahu, avšak alespoň 1,83 m nad podlahou, aby nedocházelo ke styku s vozidly a případnému neúmyslnému uvolnění, a zajistěte jej pomocí uzlu.

*Poznámka: Pokud je potřeba lano uříznout, spečte uříznutý konec pomocí zápalek nebo zapalovače, aby nedocházelo k jeho rozplétání.*

## 13 Instalace automatického zámku vrat

Automatický zámek vrat (model 841EU) se používá k zabránění ručního otevření vrat po úplném dovení vrat.

*Poznámka: Starší 24 V modely zámků vrat nejsou kompatibilní.*

1. Zámek musí být instalován do vzdálenosti 3,05 m od otevírání vrat. Je-li to možné, instalujte jej na stejnou stranu, jako otevírání vrat.
2. Zajistěte, že je povrch kolejnice čistý, a upevněte šablonu zámku na pojezd tak, aby byl otvor pro šroub přibližně 7,6 cm od středu kladky vrat.
3. Podle šablony vyvrtejte otvory.
4. Pomocí dodaného montážního materiálu upevněte automatický zámek vrat na vnější stranu pojezdu vrat.
5. Vedte drát stěnou k otevírání vrat. Použijte izolované spony (volitelné) k upevnění drátu na několika místech. Zasuňte drát spodní stranou do otevírání vrat.
6. Zapojte konektor do jedné ze zásuvek otevírání vrat. Podle výše uvedených pokynů lze na opačnou stranu vrat instalovat i sekundární zámek vrat (841EU).

### TEST AUTOMATICKÉHO ZÁMKU VRAT

1. Při zcela zavřených vratech musí západka automatického zámku vrat (B) procházet skrz pojezd.
2. Nechte vrata otevřít. Automatický zámek vrat (A) se musí stáhnout dříve, než se vrata začnou pohybovat.
3. Nechte vrata zavřít. Když se vrata zcela zavřou, automatický zámek vrat se musí zamknout a zajistit tak vrata.

*Poznámka: Pokud automatický zámek vrat nefunguje, lze zámek ručně uvolnit posunutím madla ručního uvolnění (C) do otevřené pozice.*

## 14 Instalace povinného monitoru napětí lanka (041A9264) (vyžadované příslušenství)

Monitor napětí lanka MUSÍ být připojen a řádně nainstalován předtím, než se otevírání garážových vrat pohne směrem dolů. Monitor napětí lanka detekuje VEŠKERÉ uvolnění, ke kterému může dojít u lanek, a vrátí vrata, aby se předešlo volání servisu. Podle normy EN12453 je vyžadována instalace monitoru napětí lanka.

*Poznámka: Monitor napětí lanka je dodáván pro levostrannou instalaci. V případě pravostranné instalace demontujte pojistný kroužek, který drží kladku na svém místě, a namontujte jej na opačné straně monitoru napětí lanka*

1. Lanko vrat musí být asi 19 mm od montážního povrchu. K dosažení správné hloubky lanka vrat může být nezbytné provést úpravy či vyrovnání vrat.
2. Umístěte monitor napětí lanka tak, aby byla kladka 5–15 cm od bubnu a přečínala o 3–6 mm za lanko. Monitor napětí lanka musí být umístěn nad dřevěný podpůrný prvek a kladka nesmí mít v cestě žádné překážky.  
*POZNÁMKA: V místě instalace nesmí být žádné překážky, které by bránily úplnému uzavření monitoru napětí lanka v případě detekce uvolnění.*
3. Označte a vyvrtejte 5 mm pilotní otvory pro šrouby (pilotní otvory nejsou vyžadovány pro kotvy).
4. Připevněte monitor napětí lanka na stěnu pomocí dodaných montážních prvků. Kladka musí být nad lankem.
5. Vedte drát k otevírání vrat. Použijte izolované spony k upevnění drátu.
6. Připojte drát k zeleným rychlokonektorům (10 + 11) otevírání vrat (polarita není důležitá).  
*POZNÁMKA: Lanko musí být napnuté po celé dráze vrat. Ověřte, že během normálního provozu vrat nedochází k uvolnění lanka na opačné straně vrat. Pokud během pohybu vrat dochází k povolení lanka, lanka dle potřeby seřídíte.*

Jsou-li instalovány dva monitory napětí lanka, pokud dojde na jednom monitoru k detekci uvolnění nebo k odpojení, vrata se nepohnou směrem dolů nebo se vrátí.

### TEST MONITORU NAPĚTÍ LANKA

1. Při zcela zavřených vratech zatlačte na přední stranu monitoru napětí lanka. Měli byste slyšet cvaknutí. Pokud neuslyšíte cvaknutí, může to být způsobeno tím, že kladka naráží do zárubní a neumožňuje spínači detekovat uvolnění lanka. Monitor napětí lanka musí být instalován zapuštěný v rovině stěny a kladka nesmí mít v cestě žádné překážky.

Dodaný 1k rezistor je určený pouze pro řešení potíží se sestavou CTM. Podle nařízení ČSN EN 12453 musí být nainstalován monitor napětí lanka pro správné určení vůle lanka.

Když dojde k aktivaci monitoru napětí lanka, šipky NAHORU a DOLŮ blikají diagnostický kód 3-5.

## 15 Instalace světla LED dálkového ovládání MyQ (určeno pouze pro suché prostory)

Světlo LED dálkového ovládání MyQ je určeno pro přímé připojení ke standardní zásuvce 230 V. Vyberte vhodné místo na stropě nebo stěně pro montáž světla do vzdálenosti 1,83 m od elektrické zásuvky, aby napájecí kabel a světlo byly mimo dosah pohyblivých částí. Instalace světla LED dálkového ovládání MyQ je vyžadována pro aktivaci funkce MyQ a časovače zavírání (TTC).

*Poznámka: V případě instalace na sádrokarton, kdy nelze najít stropnice, použijte dodané kotvy do sádrokartonu. Pro kotvy do sádrokartonu nejsou potřeba pilotní otvory*

1. V případě instalace do stropnice vyvrtejte pilotní otvory ve vzdálenosti 15,6 cm od sebe.  
NEBO  
V případě instalace na sádrokarton našroubujte kotvy pro sádrokarton ve vzdálenosti 15,6 cm od sebe.
2. Určete délku napájecího kabelu potřebnou pro dosažení nejbližší zásuvky. Naviňte veškerý přebytek kabelu na držák kabelu na horní straně základny světla. Vedte kabel kanálem, aby se držáky světla zapustily.
3. Otevřete sklo světla.
4. Připevněte světlo pomocí dodaných šroubů (11+12).
5. Zavřete sklo světla.
6. Zapojte světlo do zásuvky.

*Poznámka: Světlo LED je velmi jasné. Když jste na žebříku, NEDÍVEJTE se do tohoto světla.*

Světlo vzdáleného otevírání garážových vrat je naprogramováno již z výroby pro provoz s vaším otevíráním. Veškerá další nebo náhradní světla dálkového ovládání je nutné naprogramovat.

## 16 Elektroinstalace



Abyste se vyhnuli zranění osob a škodám na zařízení, musí být otevírání vrat používáno, pouze pokud je v tomto návodu výslovně uveden takový pokyn. Napájecí zásuvka musí být trvale přístupná pro případ odpojení síťového napájení. Elektroinstalaci smí provádět pouze autorizovaný elektrikář.

## 17 Instalace fotobuněk

### DŮLEŽITÉ INFORMACE O IR FOTOBUNĚKÁCH

Montážní pokyny jsou součástí rozsahu dodávky IR fotobuněk a je nutné je dodržet. **Tyto fotobuněky zajišťují, že jsou vrata otevřená, nebo zůstanou otevřená, pokud jsou v prostoru vrat osoby, zejména děti.** Jsou-li správně zapojeny a vyrovnány, detekují snímače IR fotobuněk překážku v cestě paprsku. Vysílací část vysílá neviditelný světelný paprsek do přijímací části. Pokud tento světelný paprsek během zavírání vrat přeruší překážka, vrata se zastaví a vrátí se do zcela otevřené pozice a světla otevírání 10× bliknou.

Abyste mohli používat funkci MyQ nebo TTC, musí být do prostoru vrat instalovány snímače tak, aby vysílací a přijímací části byly proti sobě na opačných stranách vrat ve výšce maximálně 10 cm nad zemí. Stranové umístění není relevantní, ale na přijímací snímač nesmí dopadat přímé sluneční paprsky. Trasa neviditelného světelného paprsku musí být prostá překážek. Žádná část garážových vrat (pojezd, pružiny, závěsy, kladky či jiné montážní prvky) nesmí během zavírání vrat přerušit paprsek.

*Poznámka: Společnost LiftMaster doporučuje instalovat IR fotobuněky u každé instalace. Používání funkce MyQ a TTC vyžaduje instalaci IR fotobuněk.*

### ZAPOJENÍ IR FOTOBUNĚK

1. Vedte drát od obou snímačů k otevírání garážových vrat. Upevněte drát ke stěně a stropu pomocí spon.
2. Z každé sady drátů stáhněte 11 mm izolace. Dráty od sebe oddělte. Spleťte bílé dráty k sobě. Spleťte bílé/černé dráty k sobě.
3. Zasuňte bílé dráty do bílé svorky otevírání garážových vrat. Zasuňte bílé/černé dráty do šedé svorky otevírání garážových vrat. Při zasouvání a vysouvání drátů z a do svorek zatlačte na jazyček pomocí hrotu šroubováku.

### OVĚŘENÍ VYROVNÁNÍ IR FOTOBUNĚK

**Vrata se nezavírají, pokud nebudou snímače správně nainstalovány a vyrovnány.**

Pokud dojde při zavírání vrat k přerušení nebo odklonění světelného paprsku, vrata se vrátí a kontrolky otevírání garážových vrat desetkrát bliknou. Pokud jsou vrata již otevřená, nezavírají se. Snímače lze vyrovnat po povolení křídlových matic. Po vyrovnání snímače opět utáhněte pomocí křídlových matic.

1. Zkontrolujte, že kontrolky LED na obou snímačích nepřerušovaně svítí. Pokud jsou snímače správně vyrovnány a zapojeny, budou kontrolky ED obou snímačů nepřerušovaně svítit.

### TEST IR FOTOBUNĚK

1. Otevřete vrata. Do dráhy vrat umístěte překážku.
2. Stiskněte na dálkovém ovládacím tlačítku pro zavření vrat. Vrata se nepohnou o více než 2,5 cm a světla otevírání garážových vrat 10× bliknou.

Otevírání garážových vrat nepůjde dálkově zavřít, pokud nebude svítit kontrolka LED na některé z IR fotobuněk (upozorňuje na skutečnost, že je daný snímač vychýlen nebo má v dráze paprsku překážku). **Pokud otevírání garážových vrat zavře vrata, když jsou IR fotobuněky zastíněny (a snímače nejsou výše než 10 cm nad zemí), přivolejte technika vyškoleného pro vratové systémy.**

## 18 Připojení napájení

Abyste předešli problémům během instalace, zatím otevírání garážových vrat nepoužívejte.

Abyste snížili nebezpečí úrazu elektrickým proudem, disponuje otevírání garážových vrat zemnicí zástrčkou. Tato zástrčka pasuje pouze do zásuvky s uzemněním. Pokud zástrčka nepasuje do dostupné zásuvky, obraťte se na kvalifikovaného elektrikáře ohledně instalace správné zásuvky.

Napájení lze připojit pouze jedním způsobem:

**TYPICKÉ ZAPOJENÍ**

Připojte otevírání garážových vrat k uzemněné zásuvce

## 19 Instalace záložní baterie (volitelné příslušenství)



Pro snížení nebezpečí **POŽÁRU** nebo **ZRANĚNÍ** osob. **PŘED** prováděním JAKÉHOKOLI servisu nebo údržby odpojte **VEŠKERÉ** elektrické a bateriové napájení. Jako náhradní baterii použijte **POUZE** LiftMaster 485EU. **NELIKVIDUJTE** baterii hozením do ohně. Baterie by mohla explodovat. Pokyny k likvidaci naleznete v místních zákonech.

Během provozu na záložní baterii je deaktivováno ovládání MyQ pomocí chytrého telefonu a bezdrátových zařízení MyQ. V režimu záložní baterie se při otevření vrat odemkne automatický zámek garážových vrat a zůstane deaktivován až do obnovení normálního napájení.

1. Odpojte otevírání garážových vrat ze zásuvky.
2. Pomocí šroubováku sejměte kryt baterie na otevírání garážových vrat.
3. Vložte baterii částečně do prostoru pro baterii s terminály směrem ven.
4. Připojte červený (+) a černý (-) drát z otevírání garážových vrat k odpovídajícím terminálům na baterii.
5. Vraťte zpět kryt baterie.
6. Připojte otevírání garážových vrat do zásuvky.

### STAVOVÁ KONTROLKA LED BATERIE (B)

#### ZELENÁ LED:

Všechny systémy jsou v normálu.

- Svítící zelená LED indikuje plně nabitou baterii.
- Blikající zelená LED indikuje nabíjení baterie.

#### ORANŽOVÁ LED:

Otevírání garážových vrat je bez hlavního napájení a je v režimu záložní baterie.

- Svítící oranžová LED s pípáním přibližně každé 2 sekundy indikuje provoz otevírání garážových vrat na baterii.
- Blikající oranžová LED s pípáním každých 30 sekund indikuje téměř vybitou baterii.

#### ČERVENÁ LED:

Je nutné vyměnit 12 V baterii otevírání garážových vrat.

- Svítící červená LED s pípáním každých 30 sekund indikuje, že 12 V baterie již déle nevydrží nabitá a je nutné ji vyměnit. Vyměňte záložní baterii, abyste zachovali funkci chodu na záložní baterii.

*Poznámka: ovládání otevírání garážových vrat nemusí být baterie zcela nabitá.*

## 20 Programování dráhy



Nesprávné nastavení limitů dráhy garážových vrat vede k narušení správné činnosti bezpečnostního zpětného systému. Po **KAŽDÉM** seřízení je **NUTNÉ** přezkoušet bezpečnostní zpětný systém. Vrata se **MUSÍ** vrátit při styku s překážkou na zemi vysokou 40 mm. Aby nedošlo k poškození vozidel ověřte, že zcela otevřená vrata poskytují dostatečnou světlou výšku.

Limity pojezdu regulují body, kde se vrata zastaví při pohybu nahoru nebo dolů. Během programování lze používat tlačítka NAHORU a DOLŮ k pohybu vrat do požadované polohy.

1. Podržte stisknuté nastavovací tlačítko (A), dokud nezačne blikat tlačítko NAHORU (U) nebo není slyšet pípnutí.
2. Podržte stisknuté tlačítko NAHORU (U), dokud nejsou vrata v požadované HORNÍ poloze.
3. Jakmile jsou vrata v požadované HORNÍ poloze, krátce stiskněte nastavovací tlačítko (A). Světla otevírání garážových vrat dvakrát bliknou a tlačítko DOLŮ (D) začne blikat.
4. Podržte stisknuté tlačítko DOLŮ (D), dokud nejsou vrata v požadované DOLNÍ poloze.
5. Jakmile jsou vrata v požadované DOLNÍ poloze, krátce stiskněte nastavovací tlačítko (A). Světla otevírání garážových vrat dvakrát bliknou a tlačítko NAHORU (U) začne blikat.
6. Krátce stiskněte tlačítko NAHORU (U). Když se vrata posunou do naprogramované HORNÍ polohy, tlačítko DOLŮ (D) začne blikat.
7. Krátce stiskněte tlačítko DOLŮ (D). Vrata se posunou do naprogramované DOLNÍ polohy. Programování je dokončeno.

Pokud během postupu programování dráhy 5× bliknou světla otevírání garážových vrat, čas programování vypršel. Pokud není instalován monitor napětí lanka nebo je zaznamenáno příliš velké uvolnění lanka, světla otevírání garážových vrat 5× bliknou. Ověřte správnost instalace monitoru napětí lanka a poté proveďte postup programování dráhy. Pokud během postupu programování dráhy 10× bliknou světla otevírání garážových vrat, IR fotobuňky nejsou vyrovnány nebo jsou zastíněny. Když jsou snímače vyrovnány a nejsou zastíněny, proveďte kompletní cyklus vrat nahoru a dolů pomocí dálkového ovládání nebo tlačítek NAHORU a DOLŮ. Programování je dokončeno. Pokud s vraty nelze pohybovat nahoru a dolů, zopakujte postup programování dráhy

## 21 Test bezpečnostního zpětného systému



Bez řádné nainstalovaného bezpečnostního zpětného systému může dojít k **VÁŽNÉMU** či **SMRTELNÉMU ZRANĚNÍ** osob (zejména malých dětí) zavíracími se garážovými vraty. Bezpečnostní zpětný systém **MUSÍ** být testován každý měsíc. Po **KAŽDÉM** seřízení je **NUTNÉ** přezkoušet bezpečnostní zpětný systém. Vrata se **MUSÍ** vrátit při styku s překážkou na zemi vysokou 40 mm.

### TEST

1. Při zcela otevřených vratech umístěte na zem doprostřed garážových vrat 40 mm desku.
2. Stiskněte na dálkovém ovládání tlačítko pro zavření vrat. Jakmile se vrata dotknou desky, **MUSÍ** se vrátit.

### SEŘÍZENÍ

Pokud se vrata zastaví, ale nevrátí se:

1. Znovu si projděte instalační pokyny a ověřte, že byly provedeny všechny kroky.
2. Zopakujte programování dráhy (viz krok 1 nastavení v bodě 20).
3. Zopakujte test bezpečnostního zpětného systému.

Pokud není test ani nadále úspěšný, přivolejte technika vyškoleného pro vratové systémy.

### DŮLEŽITÁ BEZPEČNOSTNÍ KONTROLA:

Přezkoušejte bezpečnostní systém vracení po:

- Každém seřízení limitů.
- Každé opravě nebo seřízení vrat (týká se i pružin a upevňovacích prvků).
- Každé opravě nebo deformaci podlahy.
- Každé opravě nebo seřízení otevírání garážových vrat.



## 22 Ruční otevření vrat



Je-li to možné, použijte madlo nouzového uvolnění k uvolnění vrat, **POUZE** pokud jsou garážová vrata **ZAVŘENÁ**. Slabé nebo poškozené pružiny nebo nevyvážená vrata mohou mít za následek rychlé nebo nečekané zavření otevřených vrat. **NIKDY** nepoužívejte madlo nouzového uvolnění, pokud není prostor garážových vrat prostý osob a jiných překážek

Než budete pokračovat, uvolněte všechny zámky vrat. Vrata musí být pokud možno zcela zavřená. Zatáhněte madlo nouzového uvolnění dolů, dokud z otevírání vrat neuslyšíte cvaknutí, a vrata ručně zvedněte. Chcete-li vrata znovu připojit k otevírání vrat, zatáhněte za madlo nouzového uvolnění podruhé přímo dolů, dokud neuslyšíte cvaknutí z otevírání vrat. Vrata se znovu připojí při příští operaci NAHORU nebo DOLŮ.

### TEST NOUZOVÉHO UVOLNĚNÍ

1. Vrata musí být zavřená.
2. Zatáhněte za madlo nouzového uvolnění. Vrata poté musí být možné otevřít ručně.
3. Vratte vrata do zavřené polohy.
4. Znovu zatáhněte za nouzové madlo.
5. Připojte vrata zpět k otevírání vrat.

## 23 Používání otevírání garážových vrat

### FUNKCE

Otevírání garážových vrat disponuje funkcemi, které vám poskytují vyšší kontrolu nad činností garážových vrat.

### UPOZORNĚNÍ NA ZAVÍRÁNÍ

Funkce upozornění na zavírání poskytuje vizuální upozornění, že se vrata bezobslužně zavírají.

### ČASOVAČ ZAVÍRÁNÍ (TTC)

Funkce TTC automaticky zavírá vrata po zadané době, kterou lze nastavit pomocí ovládní vrat s funkcí TTC (jsou vyžadovány tyto modely fotobuněk 771EV / 772E / 771EVK / G770E). Před a během zavírání vrat světla otevírání vrat bliknou

#### AKTIVACE TTC:

1. Krátce 4× stiskněte žluté tlačítko učení (L).
2. Žlutá kontrolka LED učení se rozsvítí.
3. Procházejte hodnoty VYP/1/5/10 minut pomocí šipek NAHORU (U) a DOLŮ (D). Po výběru žlutá kontrolka LED blikne. Pokud například vyberete 5 minut, žlutá kontrolka LED učení na potvrzení 5× blikne.
4. Stiskněte obdélníkové nastavovací tlačítko (A) pro uložení nastavení a ukončení režimu programování TTC. Když je dokončena aktivace MyQ Světlo LED dálkového ovládání na potvrzení JEDNOU blikne. Při programování funkce TTC musíte stisknout další tlačítko do 30 sekund, jinak se aktivace TTC ukončí. Pokud vyprší čas programování, TTC se vrátí k předchozímu nastavení a světlo LED dálkového ovládání MyQ PĚTKRÁT blikne.

Chcete-li ukončit nedokončený režim programování TTC, ještě jednou krátce stiskněte tlačítko učení (L).

#### ZMĚNA ČASOVÁNÍ TTC:

1. 4× stiskněte tlačítko učení (L).
2. Procházejte hodnoty VYP/1/5/10 minut pomocí šipek NAHORU (U) a DOLŮ (D). Po výběru žlutá kontrolka LED blikne.
3. Stiskněte obdélníkové nastavovací tlačítko (A) pro uložení nastavení a ukončení režimu programování TTC.  
Po dokončení aktivace světlo LED dálkového ovládání MyQ na potvrzení JEDNOU blikne.

#### DEAKTIVACE TTC:

1. 4× stiskněte žluté tlačítko učení (L).
2. Jedním stisknutím tlačítka nastavení jej uložte.
3. Po dokončení deaktivace světlo LED dálkového ovládání MyQ na potvrzení JEDNOU blikne.  
Pokud je funkce TTC aktivní, probíhá na časovači odpočet. Pokud dojde k přerušení IR paprsků, časovač TTC se restartuje.

## MyQ

MyQ umožňuje ovládat otevírání garážových vrat odkudkoli pomocí vašeho mobilního zařízení nebo počítače. Technologie MyQ používá rádiový signál pro obousměrnou komunikaci mezi otevíráním garážových vrat a zařízením s aktivovanou funkcí MyQ. Otevírání garážových vrat má interní bránu, která umožňuje otevírání garážových vrat přímo komunikovat s domácí sítí Wi-Fi® a přistupovat k vašemu účtu MyQ

## IR FOTOBUŇKY

Jsou li správně zapojeny a vyrovnané, detekují IR fotobuňky překážku v cestě IR paprsku. Pokud tento IR paprsek během zavírání vrat přeruší překážka, vrata se zastaví a vrátí se do zcela otevřené pozice a světla otevírání 10× bliknou. Pokud jsou vrata osazená IR fotobuňkami zcela otevřená a fotobuňky jsou vychyleny, vrata nebudou možné zavřít pomocí dálkového ovládání. Vrata lze však zavřít, pokud podržíte tlačítko na ovládání vrat nebo bezklíčkovém otevírání, dokud se vrata zcela nezavřou. IR fotobuňky nemají vliv na otevírání.

## ÚSPORA ENERGIE

Z důvodu úspory energie přejde otevírání garážových vrat po úplném zavření vrat do režimu spánku. Režim spánku vypne otevírání garážových vrat až do aktivace. Režim spánku probíhá v sekvenci se světlem otevírání garážových vrat. Když se světlo zhasne, kontrolky snímače rovněž zhasnou, a když se světla otevírání garážových vrat rozsvítí, rozsvítí se i kontrolky LED snímače. Otevírání garážových vrat se nepřepne do režimu spánku, dokud otevírání garážových vrat od zapnutí nedokončí 5 cyklů.

## SVĚTLA

Světlo otevírání garážových vrat se rozsvítí, když je otevírání poprvé připojeno do zásuvky, při obnově napájení po výpadku nebo po aktivaci otevírání garážových vrat. Světlo automaticky zhasne po 4,5 minutách.

## FUNKCE SVĚTLA

Otevírání garážových vrat je vybaveno přidanou funkcí; světla se rozsvítí, když někdo projde otevřenými garážovými vraty a dojde k přerušení světelného paprsku. Tato funkce vyžaduje instalaci IR fotobuňek 771EV / 772E / 771EVK / G770E

## ZÁLOŽNÍ BATERIE (VOLITELNĚ)

Systém záložní baterie umožňuje vstup a výstup z garáže i během výpadku napájení. Když je otevírání garážových vrat napájeno z baterie, pohybuje se otevírání garážových vrat pomaleji, světlo nesvítí, stavová kontrolka LED baterie svítí oranžově a přibližně každé 2 sekundy se ozve pípnutí.

## POUŽÍVÁNÍ OTEVÍRÁNÍ GARÁŽOVÝCH VRAT

Otevírání garážových vrat lze aktivovat pomocí nástěnného ovládání vrat, dálkového ovládání, bezdrátového bezklíčkového otevírání či příslušenství MyQ. Při obsluze otevírání vrat pomocí rádiového ovladače nebo nástěnného spínače:

- zavře vrata, jsou-li zcela otevřená
- otevře vrata, jsou-li zcela zavřená
- zastaví vrata, pokud se otevírají nebo zavírají
- vrata se pohybují v opačném směru, než byl poslední dokončený pohyb, pokud jsou částečně otevřena.

Pokud vrata narazí na překážku nebo dojde k narušení během otevírání, vrata se zastaví. Pokud otevírání garážových vrat narazí na překážku při zavírání, vrata se vrátí. Pokud překážka přeruší paprsek snímače, světla otevírání garážových vrat 10× bliknou. Vrata lze však zavřít, pokud podržíte tlačítko na ovládání vrat nebo bezklíčkovém otevírání, dokud se vrata zcela nezavřou. IR fotobuňky nemají vliv na otevírání.

## ČÍTAČ CYKLŮ, AKTIVACE A ODEČET:

1. Pro přechod do tohoto režimu odpojte napájení od RJO.
2. Souběžným podržením stisknutého tlačítka nastavení (A) a učení (L) obnovte napájení.
3. Kontrolka LED tlačítka obsluhy NAHORU (U) blikne JEDNOU za každých tisíc ZCELA dokončených cyklů, dokud budou držena tlačítka nastavení (A) a učení (L). Například, pokud RJO provedlo 8756 cyklů, kontrolka LED tlačítka NAHORU blikne 8×.

Chcete-li odečet zopakovat, odpojte RJO od napájení a začnete znovu.

**Světelný vysílač (s 78EV):** Umožňuje učení vysílače pro dálkové ovládání MyQ pomocí multifunkčního nástěnného ovládání.

Programování vysílače pro světlo LED dálkového ovládání MyQ:

1. Podržte zároveň stisknuté tlačítko LIGHT a LOCK.
2. Při držení stisknutých výše uvedených tlačítek podržte stisknutí jedno z tlačítek na vysílači, dokud jednou neblikne světlo RJO WorkLight.
3. Po jednom bliknutí světla WorkLight tlačítka uvolněte.

**Režim dovolená (vyžaduje nástěnný ovladač 78EV):** Je-li aktivována tato funkce, přenosné dálkové ovládání nefunguje. Viz pokyny pro 78EV.

**Bezklíčkové otevírání (vyžaduje bezdrátovou klávesnici 747EV):** Vrata lze ovládat po zadání 4místného kódu.

**Dočasný přístup (vyžaduje bezdrátovou klávesnici 747EV):** Lze naprogramovat dočasný kód pro umožnění omezeného přístupu do garáže (omezen časově nebo počtem otevření).

**Funkce zavření jedním tlačítkem (vyžaduje bezdrátovou klávesnici 747EV):** Vrata lze zavřít bez přístupového kódu z libovolné polohy (neotevřená).

## 24 Připojení chytrého telefonu

Wi-Fi® otevírání garážových vrat je kompatibilní s až 16 zařízeními MyQ. Až 10 zařízení lze spárovat s interní bránou Wi-Fi otevírání garážových vrat. Tato zařízení lze ovládat pomocí aplikace MyQ. Mezi tato zařízení patří libovolná kombinace otevírání garážových vrat MyQ, Wi-Fi otevírání garážových vrat, světlo MyQ, ovladače brány MyQ. Pokud je pomocí aplikace MyQ potřeba ovládat více než 10 zařízení, lze přidat internetovou bránu LiftMaster (828EV). Se samotným otevíráním garážových vrat lze spárovat až 6 zařízení (ovládaných otevíráním garážových vrat). Mezi tato zařízení patří libovolná kombinace světla MyQ nebo garážových vrat a monitoru brány.

### Budete potřebovat:

- Chytrý telefon, tablet nebo notebook s rozhraním Wi-Fi
- Širokopásmové internetové připojení
- Wi-Fi signál v garáži (vyžadován standard 802.11b/g/n, 2,4 GHz)
- Heslo k vaší domácí síti (hlavní účet routeru, nikoli síť pro hosty)
- Sériové číslo MyQ, které se nachází na otevírání garážových vrat
- IR fotobuňky (volitelně)
- Světlo LED dálkového ovládání MyQ (součástí dodávky)

### SYNCHRONIZACE OVLÁDÁNÍ VRAT

Chcete-li synchronizovat ovládání vrat 78EV s otevíráním garážových vrat, zatlačte na tyč, dokud se neaktivuje otevírání garážových vrat (může být potřeba zatlačit až 3×). Otevírání garážových vrat musí před aktivací programování Wi-Fi projít kompletním cyklem.

### PŘIPOJENÍ OTEVÍRÁNÍ GARÁŽOVÝCH VRAT K VAŠÍ DOMÁCÍ SÍTI WI-FI

1. Krátce 3× stiskněte žluté tlačítko UČENÍ (L) na otevírání garážových vrat. Otevírání garážových vrat jednou pípne. Máte 20 minut na dokončení procesu připojení.
2. Na svém mobilním zařízení přejděte do Nastavení > Wi-Fi a vyberte síť začínající na „MyQ-“.
3. Na svém chytrém telefonu nebo tabletu spusťte webový prohlížeč. Do adresního řádku zadejte adresu setup.myqdevice.com. Postupujte dle pokynů na obrazovce a připojte otevírání garážových vrat k vaší síti Wi-Fi. Na obrazovce se zobrazí sériové číslo MyQ. Toto sériové číslo zapište do prostoru níže.

4. Stáhněte si aplikaci MyQ z obchodu App Store® nebo Google Play™. Zaregistrujte si účet MyQ a přidejte do něho své sériové číslo MyQ.

Chcete-li přidat druhé otevírání garážových vrat Wi-Fi, opakujte krok 1-3. Přidejte druhé sériové číslo MyQ ke svému účtu v aplikaci MyQ.

**POZNÁMKY:** Ovládání MyQ pomocí chytrého telefonu **NEBUDE fungovat**, pokud otevírání garážových vrat běží na baterii. **Chcete-li odstranit nastavení Wi-Fi, proveďte postup ze strany 15.**

Kontrolka LED (A) otevírání garážových vrat bude indikovat stav Wi-Fi. Viz tabulku níže

LED	DEFINICE
MODRÁ	Nesvítlí – rozhraní Wi-Fi není zapnuté. Bliká – otevírání garážových vrat je v režimu učení Wi-Fi. Svítlí – k otevírání garážových vrat je připojeno mobilní zařízení.
MODRÁ A ZELENÁ	Bliká – probíhá pokus o připojení k routeru.
ZELENÁ	Bliká – probíhá pokus o připojení k internetovému serveru. Svítlí – připojení Wi-Fi je nastaveno a otevírání garážových vrat je připojeno k internetu.

---

## 25 Programování otevírání a dálkového ovládání / bezdrátové tlačítko / bezdrátová klávesnice (volitelně)

Otevírání aktivujte, pouze když jsou vrata zcela vidět, nevyskytují se v nich žádné překážky a jsou správně seřizena. Během pohybu vrat jimi nesmí nikdo procházet ani jedním směrem. Nenechte děti, aby obsluhovaly tlačítka nebo dálkové ovládání. Nenechte děti hrát si v blízkosti vrat. Příjmač otevírání garážových vrat a jedno z tlačítek dálkového ovládání jsou předprogramovány. Pokud si zakoupíte další dálková ovládání, otevírání garážových vrat musí být přeprogramováno pro komunikaci s novým kódem dálkového ovládání.

### PROGRAMOVÁNÍ PŘIJÍMAČE, ABY ODPOVÍDAL DALŠÍM DÁLKOVÝM OVLÁDÁNÍM: POUŽÍVÁNÍ ŽLUTÉHO KULATÉHO TLAČÍTKA

1. Krátce stiskněte žluté kulaté tlačítko učení (L) na otevírání. Indikátor učení se na 30 sekund rozsvítí.
2. Během 30 sekund podržte stisknuté tlačítko na ručním dálkovém ovládání, pomocí kterého chcete ovládat garážová vrata.
3. Když světlo otevírání jednou blikne, tlačítko uvolněte. Kód byl přijat. Nyní se otevírání aktivuje, když stisknete tlačítko na dálkovém ovládání. Pokud tlačítko dálkového ovládání uvolníte dříve, než začne blikat světlo otevírání, otevírání kód nepřijalo.

### BEZKLÍČKOVÉ OTEVÍRÁNÍ

1. Krátce stiskněte žluté kulaté tlačítko učení (L) na otevírání. Indikátor učení se na 30 sekund rozsvítí.
2. Zadejte svůj 4místný kód PIN pomocí klávesnice bezklíčkového otevírání.
3. Poté stiskněte tlačítko ENTER.
4. Když je kód naprogramován, světla otevírání garážových vrat bliknou (nebo uslyšíte dvě cvaknutí). Zopakujte postup výše pro naprogramování dalších dálkových ovládání nebo bezklíčkových otevírání. Pokud programování není úspěšné, naprogramujte dálkové ovládání pomocí tlačítka učení.

### ODSTRANĚNÍ VŠECH KÓDŮ DÁLKOVÉHO OVLÁDÁNÍ

Chcete-li deaktivovat nežádoucí dálková ovládání, nejprve odstraňte všechny kódy: Podržte stisknuté žluté kulaté tlačítko na otevírání, dokud nezhasne kontrolka učení (přibližně 10 sekund). Všechny předchozí kódy jsou vymazány. Přeprogramujte všechna dálková ovládání nebo bezklíčkové otevírání, která chcete používat.

---

## 26 Programování světla LED dálkového ovládání MyQ

Světlo vzdáleného otevírání garážových vrat je naprogramováno již z výroby pro provoz s vašim otevíráním. Veškerá další nebo náhradní světla dálkového ovládání je nutné naprogramovat.

### PROGRAMOVÁNÍ OTEVÍRÁNÍ VRAT PRO SVĚTLO LED DÁLKOVÉHO OVLÁDÁNÍ MYQ:

1. Stiskněte tlačítko UČENÍ (L) na světle, dokud se nerozsvítí zelená kontrolka LED.
2. Stiskněte tlačítko UČENÍ (L) na otevírání vrat.
3. Když dálkové ovládání jednou blikne, kód je naprogramován.

### PROGRAMOVÁNÍ DÁLKOVÉHO OVLÁDÁNÍ PRO SVĚTLO LED DÁLKOVÉHO OVLÁDÁNÍ MYQ

1. Stiskněte tlačítko UČENÍ (L) na světle, dokud se nerozsvítí zelená kontrolka LED.
2. Stisknuté tlačítko na dálkovém ovládání, kterým chcete ovládat světlo.
3. Když dálkové ovládání jednou blikne, kód je naprogramován.

Chcete-li naprogramovat světlo pomocí jiného příslušenství, postupujte dle pokynů v návodu k danému příslušenství.

### PŘIDÁNÍ SVĚTLA LED DÁLKOVÉHO OVLÁDÁNÍ MYQ DO ÚČTU MYQ

1. Stiskněte tlačítko UČENÍ (L) na světle, dokud se nerozsvítí zelená kontrolka LED.
2. Přihlaste se do aplikace MyQ a přidejte světlo LED dálkového ovládání MyQ.

### ODSTRANĚNÍ VŠECH PROGRAMOVÁNÍ ZE SVĚTLA LED DÁLKOVÉHO OVLÁDÁNÍ MYQ

1. Podržte stisknuté tlačítko UČENÍ (L), dokud nezhasne kontrolka LED (6–10 sekund). Veškeré programování je smazáno.

---

## 27 Vymazání paměti

### VYMAZÁNÍ VŠECH DÁLKOVÝCH OVLÁDÁNÍ A BEZKLÍČKOVÝCH OTEVÍRÁNÍ

1. Podržte stisknuté tlačítko UČENÍ (L) na otevírání garážových vrat, dokud nezhasne kontrolka LED učení (přibližně 6 sekund). Všechna dálková ovládní a kódy bezklíčkového otevírání jsou vymazány. Přeprogramujte všechna příslušenství, která chcete používat.

### VYMAZÁNÍ VŠECH ZAŘÍZENÍ (VČETNĚ PŘÍSLUŠENSTVÍ S FUNKCÍ MYQ)

1. Podržte stisknuté tlačítko UČENÍ (L) na otevírání garážových vrat, dokud nezhasne kontrolka LED učení (přibližně 6 sekund).
2. Okamžitě stiskněte a podržte tlačítko UČENÍ, dokud nezhasne kontrolka LED učení. Všechny kódy jsou vymazány. Přeprogramujte všechna příslušenství, která chcete používat.

### VYMAZÁNÍ SÍTĚ WI-FI Z OTEVÍRÁNÍ GARÁŽOVÝCH VRAT

1. Podržte stisknuté černé nastavovací tlačítko (A) na otevírání garážových vrat, dokud nezazní 3 pípnutí (přibližně 6 sekund).

### VYMAZÁNÍ ÚČTU MYQ

Přejděte na adresu myliftmaster.eu a odstraňte svůj účet MyQ.

---

## 28 Údržba otevírání garážových vrat

### PLÁN ÚDRŽBY

#### MĚSÍČNĚ

- Ručně použijte vrata. Pokud jsou nevyvážená nebo se svinují, přivolejte technika vyškoleného pro vratové systémy.
- Zkontrolujte, že se vrata zcela otevírají a zavírají. Dle potřeby seříďte limity (viz bod 20 „Programování dráhy“).
- Zopakujte test bezpečnostního zpětného systému. Proveďte veškerá nezbytná seřízení (viz bod 21 „Test bezpečnostního zpětného systému“).

#### ROČNĚ

- Promazte kladky, ložiska a závěsy vrat. Otevírání garážových vrat nevyžaduje žádné další mazání. Nemažte pojezd vrat.

### SVĚTLO LED DÁLKOVÉHO OVLÁDÁNÍ MYQ

- Před čištěním světlo odpojte.
- Čistěte pomocí mírně navlhčeného hadříku.
- Na sklo světla NEPOUŽÍVEJTE tekuté čističe.

---

## 29 Výměna baterií dálkového ovládní

### Baterie dálkového ovládní:

Baterie dálkového ovládní mají mimořádně dlouhou životnost. Pokud se dosah vysílání zmenší, je nutné baterie vyměnit. Na baterie se nevztahuje záruka.

### Dodržujte následující pokyny týkající se baterie:

S bateriemi nezacházejte jako s domácím odpadem. Všichni uživatelé mají ze zákona povinnost baterie náležitě zlikvidovat prostřednictvím k tomu určených sběrných míst. Nikdy nenabíjejte baterie, které nejsou určeny k nabíjení.

### Nebezpečí výbuchu!

Uchovávejte baterie mimo dosah dětí, nezkraťte je ani je nerozebírejte. Pokud dojde ke spojení baterie, neprodleně vyhledejte lékaře. Dle potřeby před zapojením očistěte kontakty baterie a zařízení. Vybité baterie ze zařízení neprodleně vyjměte!

### Zvýšené riziko vytečení!

Baterie nikdy nevystavujte nadměrnému teplu, jako je přímé sluneční záření, oheň apod.!

Hrozí zvýšené riziko vytečení!

Vyvarujte se styku s pokožkou, očima a sliznicemi. Části potřísněné elektrolytem opláchněte velkým množstvím studené vody a neprodleně se obraťte na lékaře. Používejte pouze baterie stejného typu. Pokud zařízení není dlouhou dobu používáno, baterie vyjměte.

### Výměna baterie:


Při výměně baterie otočte dálkové ovládní a otevřete kryt pomocí šroubováku. Zvedněte kryt a zvedněte ovládací desku pod ním. Posuňte baterii na jednu stranu a vyjměte ji. Dávejte pozor na polaritu baterie! Sestavte v opačném pořadí.

### POZOR!

Při nesprávné výměně baterie hrozí nebezpečí výbuchu. Výměnu provádějte pouze za totožný nebo ekvivalentní typ baterie (CR2032) 3 V.

## 30 Likvidace

Obal musí být zlikvidován prostřednictvím místních kontejnerů k recyklaci. Podle evropské směrnice 2002/96/ES o odpadních elektrických a elektronických zařízeních musí být toto zařízení po použití náležitě zlikvidováno, aby byla zajištěna recyklace použitých materiálů

 Staré baterie nesmí být likvidovány jako domácí odpad, protože obsahují znečišťující látky a musí být náležitě zlikvidovány prostřednictvím obecních sběrných míst nebo kontejnerů poskytnutých prodejcem. Musí být dodrženy národní směrnice. Komponenty musí být náležitě zlikvidovány prostřednictvím veřejné společnosti zaměřené na likvidaci odpadu. Musí být dodrženy příslušné místní a národní směrnice. Ne všechny součásti vyřazeného pohonu lze likvidovat jako domácí odpad.

Odpovědný orgán (město, obec) nebo společnost věnující se likvidaci vás informují ohledně možností likvidace.

## 31 Schéma diagnostiky

Otevírání garážových vrat je naprogramováno tak, že disponuje možností autodiagnostiky. Šipky NAHORU a DOLŮ na otevírání garážových vrat blikáním oznamují diagnostické kódy.

KÓD DIAGNOSTIKY	PŘÍZNAK	ŘEŠENÍ
Šipka nahoru Bliká	Šipka dolů Bliká	
1	1	Otevírání garážových vrat nezavírá a světlo bliká. Jsou-li instalovány IR fotobuňky, nejsou zapojené nebo mohlo dojít k přerušení drátů. Zkontrolujte dráty snímače ohledně odpojení či přerušeného drátu.
1	2	Otevírání garážových vrat nezavírá a světlo bliká. Došlo ke zkratu nebo záměně drátů IR fotobuněk. Zkontrolujte fotobuňky na všech svorkových a připojovacích místech a dle potřeby drát vyměňte nebo opravte.
1	3	Ovládání vrat nefunguje. Dráty ovládání vrat jsou zkratované nebo je ovládání vrat vadné. Zkontrolujte dráty ovládání vrat na všech svorkových a připojovacích místech a dle potřeby drát vyměňte nebo opravte.
1	4	Otevírání garážových vrat nezavírá a světlo bliká. Jsou-li instalovány IR fotobuňky, nejsou vyrovnané nebo jsou momentálně zastíněny. Vyrovnejte oba snímače, aby kontrolky LED na obou snímačích nepřerušovaně svítí. Zajistěte, aby na vratech neviselo ani nebylo instalováno nic, co by mohlo narušovat paprsek snímačů během zavírání vrat.
1	5	Vrata se pohybují zarážkami 15 20 cm nebo se vrátí. Ručně otevřete a zavřete vrata. Zkontrolujte navíjení a překážky, např. vadnou pružinu či zámek vrat, a dle potřeby opravte. Zkontrolujte zapojení kabeláže v modulu pojezdu a na logické desce. Dle potřeby vyměřte modul pojezdu.
1	5	Žádný pohyb, pouze jedno cvaknutí. Ručně otevřete a zavřete vrata. Zkontrolujte navíjení a překážky, např. vadnou pružinu či zámek vrat, a dle potřeby opravte. Dle potřeby vyměřte logickou desku.
1	5	Otevírání bzučí na 1–2 sekundy bez pohybu. Ručně otevřete a zavřete vrata. Zkontrolujte navíjení a překážky, např. vadnou pružinu či zámek vrat, a dle potřeby opravte. Dle potřeby vyměřte motor.
1	6	Vrata po úplném zastavení sjíždí. Naprogramujte posun do polohy dojezdu nebo nechte vrata vyvážit vyškoleným technikem.
2	1-5	Žádný pohyb ani zvuk. Vyměřte logickou desku.
3	1	Otevírání garážových vrat se mírně pohne a poté se zastaví. Znovu aktivujte otevírání garážových vrat. Pokud problém přetrvává, vyměřte logickou desku.
3	3	Kontrolka LED stavu baterie trvale bliká zeleně. Chyba nabíjecího okruhu záložní baterie, vyměřte logickou desku.
3	5	Otevírání garážových vrat se nezavře nebo se vrata během pohybu vrací. Pokud dříve byly nainstalovány dva monitory napětí lanka a jeden byl odstraněn, třikrát odpojte a připojte otevírání, aby došlo k opětovnému propojení monitoru a otevírání. • Zkontrolujte případný výskyt překážky ve vratech a odstraňte ji. • Zkontrolujte správné připojení monitoru napětí lanka k otevírání. • Vyměřte monitor napětí lanka.

KÓD DIAGNOSTIKY	PŘÍZNAK	ŘEŠENÍ
Šipka nahoru Bliká	Šipka dolů Bliká	
4	1-4	Vrata pohybují zářázkami nebo se vrací. Ručně otevřete a zavřete vrata. Zkontrolujte navijení a překážky, např. vadnou pružinu či zámek vrat, a dle potřeby opravte. Pokud se vrata svinují nebo zasekávají, přivolejte technika vyškoleného pro vratové systémy. Pokud se vrata nesvinují nebo se zasekávají, zkuste přeprogramovat pojezd.
4	5	Otevírání běží přibližně 15–20 cm, zastaví se a vrací se zpět. Chyba komunikace s modulem pojezdu. Zkontrolujte zapojení modulu pojezdu, v případě potřeby modul vyměňte.
4	6	Otevírání garážových vrat nezavírá a světlo bliká. IR fotočlánky nejsou vyrovnány nebo byly dočasně zastíněny. Vyrovnajte oba snímače, aby kontrolky LED na obou snímačích nepřerušovaně svítily. Zajistěte, aby na vratech neviselo ani nebylo instalováno nic, co by mohlo narušovat paprsek snímačů během zavírání vrat.
5	5	Vrata se nezavírou při použití časovače zavírání nebo ovládání aplikace MyQ pro chytré telefony. Musí být instalováno světlo LED dálkového ovládání MyQ, aby bylo možné k ovládání vrat používat funkci TTC nebo MyQ. Připojte světlo LED dálkového ovládání MyQ a ověřte, že je naprogramováno pro otevírání garážových vrat.

## 32 Řešení problémů

### Otevírání garážových vrat nefunguje buď pomocí ovládání vrat, nebo pomocí dálkového ovládání:

- Je otevírání garážových vrat napájeno elektřinou? Do zásuvky připojte lampičku. Pokud nesvítí, zkontrolujte pojistky nebo jistič. (Některé zásuvky mají vypínač na stěně.)
- Deaktivovali jste všechny zámkové vrata? Znovu si projděte varování instalačních pokynů na straně 5.
- Jsou dráty zapojeny správně?
- Není pod vrata vrstva sněhu nebo ledu? Vrata mohou být přimrzlá k zemi. Odstraňte veškeré překážky.
- Může být prasklá pružina vrat. Nechte ji vyměnit (viz bod 3 „Plánování“).

### Otevírání vrat je ovládáno pomocí jednotlačítkové ovládací stanice, ne však pomocí dálkového ovládání:

- Přeprogramujte dálkové ovládání a dle potřeby vyměňte baterii. Tento postup zopakujte u všech dálkových ovládání.

### Vrata se sama otevírají a zavírají:

- Ověřte, že nejsou stisknuta žádná tlačítka dálkových ovládání.
- Odpojte drát z jednotlačítkové ovládací stanice a použijte pouze dálkové ovládání. Pokud se tím problém odstraní, je jednotlačítková ovládací stanice vadná nebo je na drátu přítomen občasný zkrat. Vyměňte ovládací stanici.
- Vymažte paměť a přeprogramujte všechna dálková ovládání (podrobnosti naleznete v pokynech dodaných společně s dálkovým ovládáním nebo na webu LiftMaster.eu).

### Moje dálkové ovládání neaktivuje garážová vrata:

- Ověřte, zda není aktivován zámek na ovládání vrat.
- Přeprogramujte dálkové ovládání.
- Pokud dálkové ovládání stále neaktivuje vrata, zkontrolujte diagnostické kódy a ověřte, že otevírání garážových vrat funguje správně.

### Dálkové ovládání má krátký dosah:

- Změňte umístění dálkového ovládání ve vašem vozidle.
- Některé instalace mají kratší dosah kvůli kovovým dveřím, izolaci fólií nebo kovovým garážovým kolejničkám.

### Vrata se neotevírají zcela:

- Zkontrolujte centrální zamykání vrat.
- Nepřekážá vratům nějaká překážka? Jsou vyvážená? Nejsou prasklé pružiny? Odstraňte překážku nebo opravte vrata.

### Vrata se otevírají, ale nezavřou se:

- Zkontrolujte správnost instalace monitoru napětí lanka. Pokud byl odebrán druhý monitor napětí lanka, postupujte dle pokynů k opětovnému spojení jednoho monitoru napětí lanka (viz bod 14).
- Než otevírání vrat provede pohyb dolů, musí být IR fotočlánky správně připojeny a vyrovnány. Pokud lze vrata zavřít pomocí konstantního tlaku, ověřte správnost instalace, vyrovnání a nepřítomnost překážek IR fotočlánků.
- Pokud bliká světlo otevírání garážových vrat, zkontrolujte IR fotočlánky.
- Pokud světlo otevírání garážových vrat neblíká a jedná se o novou instalaci (viz bod 14). U existující instalace viz níže.

Po dokončení seřízení zopakujte test bezpečnostního zpětného systému.

#### **Vrata se vrací bez zjevného důvodu a světlo otevírání garážových vrat neblíká:**

- Zkontrolujte správnost instalace monitoru napětí lanka. Pokud dojde k demontáži jednoho monitoru napětí lanka, odpojte od otevírání oba monitory. Poté připojte ten monitor, který chcete používat, a třikrát odpojte a připojte otevírání, aby došlo k opětovnému propojení monitoru a otevírání. Dodaný 1k rezistor je určený pouze pro řešení potíží se sestavou CTM. Podle nařízení ČSN EN 12453 musí být nainstalován monitor napětí lanka pro správné určení vůle lanka.
- Nepřekáží vratům nějaká překážka? Zatáhněte za madlo nouzového uvolnění. Ovládejte vrata ručně. Pokud jsou nevyvážená nebo se svinují, přivolejte technika vyškoleného pro vratové systémy.
- Odstraňte veškerý led nebo sníh z podlahy garáže v místě zavírání vrat.
- Znovu si projděte bod 20.

Po seřízení zopakujte test bezpečnostního zpětného systému.

#### **Vrata se nezavřou a světlo bliká:**

Než otevírání garážových vrat provede pohyb dolů, musí být IR fotobuňky správně připojeny a vyrovnaný.

- Zkontrolujte správnost instalace, vyrovnaní a nepřítomnost překážek IR fotobuněk.

#### **Otevírání garážových vrat má problémy při pohybu s vraty:**

- Vrata mohou být nevyvážená nebo jsou prasklé pružiny. Zavřete vrata a použijte madlo nouzového uvolnění k odpojení vrat. Otevřete a zavřete vrata ručně. Správně vyvážená vrata zůstanou v libovolném bodě pohybu nesena pouze pružinami. Pokud ne, odpojte otevírání garážových vrat a přivolejte technika vyškoleného pro vratové systémy.

#### **Motor otevírání garážových vrat bzučí a nepracuje:**

- Mohou být prasklé pružiny vrat. Viz výše.
- Pokud k problému dojde při prvním použití otevírání garážových vrat, mohou být vrata zamčená. Deaktivujte centrální zamykání vrat.

#### **Otevírání garážových vrat nefunguje z důvodu výpadku napájení:**

- Ručně otevřete centrální zamykání vrat.
- K odpojení vrat použijte madlo nouzového uvolnění. Vrata lze otevřít a zavřít ručně. Po obnovení napájení znovu zatáhněte za madlo nouzového uvolnění.
- Deaktivujte všechny zámky vrat. K odpojení vrat použijte madlo nouzového uvolnění. Vrata lze otevřít a zavřít ručně.

#### **Vrata ztrácejí limity:**

- Objímka není řádně utažena. Utáhněte objímku a přeprogramujte limity (viz bod 20).

#### **Otevírání garážových vrat se během používání vrat pohybuje:**

- Menší pohyby jsou u tohoto zařízení normální. Pokud jsou nadměrné, dojde k předčasnému opotřebení objímky.
- Zkontrolujte, že nedochází k nadměrnému pohybu torzní tyče doleva/doprava.
- Zkontrolujte, že se torzní tyč při otáčení viditelně nepohybuje nahoru a dolů.
- Zkontrolujte, že je otevírání instalováno pravouhle k pomocné hřídeli. Pokud tomu tak není, upravte polohu montážního držáku.

#### **Konektor automatického zámku vrat nepasuje do zásuvky otevírání vrat:**

- Starší 24V modely zámků vrat nejsou kompatibilní. Použijte automatický zámek vrat 841EU, viz stránku s příslušenstvím.

#### **Automatický zámek garážových vrat se neaktivuje, když se garážová vrata otevírají či zavírají:**

- V režimu záložní baterie se při otevření vrat odemkne automatický zámek garážových vrat a zůstane deaktivován až do obnovení normálního napájení.

#### **Otevírání vrat pípá:**

- Indikuje bezobslužné zavírání. Otevírání bylo aktivováno pomocí aplikace MyQ nebo monitoru garáže a brány.
- Svítící oranžová LED s pípním přibližně každé 2 sekundy indikuje provoz otevírání vrat na baterii.
- Blikající oranžová LED s pípním každých 30 sekund indikuje téměř vybitou baterii.
- Svítící červená LED s pípním každých 30 sekund indikuje, že 12V baterie již déle nevydrží nabitá a je nutné ji vyměnit.

#### **Garážová vrata pípají a bliká červená kontrolka LED:**

Baterie je téměř nebo zcela vybitá.

- Vyměňte baterii.

#### **Ovládání aplikace MyQ pro chytré telefony, bezdrátová zařízení MyQ a časovač zavírání nefungují:**

- V režimu záložní baterie je deaktivováno ovládání MyQ pomocí chytrého telefonu, bezdrátových zařízení MyQ a časovače zavírání.
- Musí být instalováno světlo LED dálkového ovládání MyQ, aby bylo možné používat časovač zavírání nebo ovládací aplikace MyQ pro chytré telefony. Připojte světlo LED dálkového ovládání MyQ a ověřte, že je naprogramováno pro otevírání garážových vrat. Aktivace časovače zavírání a ovládací aplikace MyQ pro chytré telefony může trvat až 5 minut.



### 33 Volitelné příslušenství

Vždy používejte příslušenství LiftMaster.

Jiné výrobky mohou vést k poruše.

1.	TX4UNIF	4kanálové univerzální dálkové ovládání
2.	TX4EVS	4kanálové dálkové ovládání
3.	TX4UNI/S	4kanálové univerzální dálkové ovládání
4.	128EV	2kanálové nástěnné bezdrátové ovládání
5.	747EV	Klávesnice
6.	78EV	Kabelové multifunkční nástěnné ovládání
7.	FLA-1LED	Blikající světlo
8.	772E	Fotobuňky
9.	100034	Klíčkový spínač (zapuštěný)
10.	100041	Klíčkový spínač (na povrchu)
11.	829EV	Monitor garážových vrat
12.	485EU	Záložní baterie
13.	827EV	Světlo LED dálkového ovládání MyQ
14.	041A9264	Monitor napětí lanka
15.	841EU	Automatický zámek vrat

### 34 Technické údaje

Vstupní napětí	230–240 V AC, 50 Hz
Max. moment	36 Nm - AC + BATERIE 29 Nm - AC
Jmenovitý moment	10 Nm
Výkon	150 W
Spotřeba v pohotovostním režimu	2,6 W
Typ motoru	Stejnoseměrný převodový motor s trvalým mazáním
Úroveň hluku	57 dB
Rychlost pojezdu	21 ot./min (dolů), 36 ot./min (nahoru)
Bezpečnost	Tlačítko a automatické zastavení při spouštění dolů. Tlačítko a automatické zastavení vytahování nahoru.
Elektronika	Automatické nastavení síly
Elektrína	Ochrana proti přetížení měniče a zapojení nízkonapětového tlačítka.
Omezovací zařízení	Optický detektor otáček/průchodu.
Seřízení limitu	Elektronické, polo a plně automatické.
Spouštěcí okruh	Okruh nízkonapětového tlačítka.
Max. výška vrat	3 m
Max. šířka vrat	5,5 m
Max. plocha vrat	16,5 m <sup>2</sup>
Max. závaží vrat	130 kg
Zavěšená hmotnost	11 kg
Paměťové registry přijímače	64
Provozní frekvence	433/868 MHz, 2,4 GHz

## 35 Bezpečnostní pokyny a pokyny k údržbě automatického otevírání garážových vrat

### BEZPEČNOST OTEVÍRÁNÍ GARÁŽOVÝCH VRAT – AUTOMATICKÉ ROZHODNUTÍ

Garážová vrata jsou největší pohybující se objekt v domácnosti. Nesprávně seřízená garážová vrata a otevírání mohou při zavírání vyvinout smrtelnou sílu – ta může vést k zachycení dětí nebo dospělých a jejich následnému zranění či usmrcení.

Správná instalace, obsluha a testování garážových vrat a automatického otevírání jsou nezbytné pro zajištění bezpečného a bezproblémového systému. Nedbalý provoz nebo umožnění dětem hrát si s otevíráním garážových vrat nebo jej používat, to jsou rovněž nebezpečné situace, které mohou mít tragické následky. Několik jednoduchých opatření může ochránit vaši rodinu a přátele před možnou újmou. Pečlivě si projděte bezpečnostní tipy a tipy pro údržbu v této brožuře a ponechte si ji pro budoucí referenci. Zkontrolujte funkci vašich garážových vrat a otevírání a ověřte, že jsou bezpečná a fungují bez problémů. Přečtěte si všechny důležité bezpečnostní informace v návodu k otevírání garážových vrat, kde jsou bližší informace a bezpečnostní informace, než které poskytuje tato brožura

### Otevírání garážových vrat není hračka

Pohovořte si s dětmi o bezpečnosti garážových vrat a otevírání. Vysvětlete nebezpečí zachycení pod vrata.



**Stůjte mimo dosah pohybujících se vrat.**



**Vysílače a dálková ovládání držte mimo dosah dětí.**

Nenechte děti, aby si hrály s vysílači nebo jinými dálkovými ovladači nebo je používaly.



**Nástěnné tlačítko musí být mimo dosah dětí, alespoň 1,5 metru od nejbližší podlahy a mimo dosah všech pohyblivých částí. Tlačítko instalujte a používejte tam, kde máte volný výhled na zavírání garážových vrat.**



**Při používání nástěnného tlačítka nebo vysílače vrata sledujte, dokud se zcela nezavřou.**

## 36 Rutinní údržba může zabránit tragédii

V rámci pravidelné rutiny každý měsíc proveďte kontrolu a zkoušku garážových vrat a systému otevírání. Projděte si návod k obsluze vrat i otevírání vrat. Pokud návody k obsluze nemáte, obraťte se na výrobce a vyžádejte si kopii pro své konkrétní modely. Číslo modelu otevírání najdete na zadní straně napájecí jednotky.



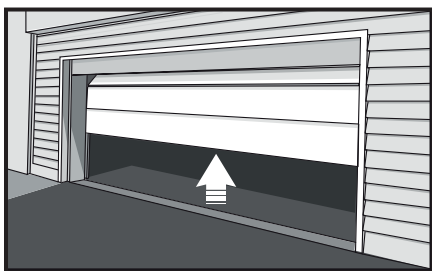
**VAROVÁNÍ – Pružiny jsou pod vysokým napětím.**  
Jejich seřizování smí provádět pouze kvalifikovaní jedinci.

### Vizuálně zkontrolujte vrata a instalaci:



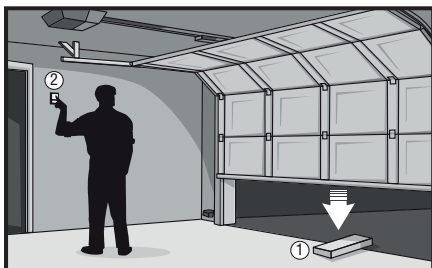
- Začněte se zavřenými vrata a pomocí ručního odpojení otevírání odpojte vrata.
- Hledejte známky opotřebení nebo poškození závěsů, kladek, pružin a panelů vrat.
- Tyto součásti mohou vyžadovat pravidelné mazání. Ohledně doporučené údržby nahlédněte do návodu k obsluze.
- Pokud jsou znatelné jakékoli známky poškození, přivolejte na pomoc technika vyškoleného pro vratové systémy.
- Ověřte, že je výška fotobuněk vyšší než 15 cm od podlahy garáže.

### Vyzkoušejte správnou funkci vrat:



- Vrata ručně otevřete a zavřete pomocí madel nebo vhodných úchopů.
- Vrata se musí pohybovat volně a bez námahy.
- Vrata musí být vyvážená a zůstat částečně otevřená 90 až 120 cm nad podlahou.
- Pokud zjistíte jakékoli známky nesprávného používání, přivolejte na pomoc technika vyškoleného pro vratové systémy.

### Otestujte bezpečnostní funkce otevírání:



- Připojte otevírání znovu k vratům pomocí ručního odpojení a otevřete vrata.
- Do dráhy vrat (1) umístěte 40 mm desku a zkuste je zavřít (2). Vrata se při styku s deskou musí zastavit a vrátit zpět.
- Pomocí nějakého předmětu přerušete paprsek fotobuňky a zkuste zavřít vrata. Vrata se nesmí zavřít, s výjimkou použití nástěnného ručně ovládaného tlačítka.
- Pokud otevírání nefunguje, jak je uvedeno, přivolejte na pomoc technika vyškoleného pro vratové systémy.

**Opomba:**

Izvirna navodila za namestitvev in uporabo so napisana v angleščini.

Vsak drugi jezik, ki je na voljo, je prevod izvirne angleške različice.

<b>1</b>	Splošne varnostne smernice .....	2
<b>2</b>	Predvidena uporaba .....	3
<b>3</b>	Načrtovanje delovanja vrat .....	3
<b>4</b>	Načrtovanje delovanja MyQ .....	3
<b>5</b>	Priprava garažnih vrat .....	4
<b>6</b>	Potrebna orodja .....	4
<b>7</b>	Vsebina paketa .....	4
<b>8</b>	Zahtevana oprema .....	4
<b>9</b>	Priklop objemke na sistem za odpiranje garažnih vrat .....	5
<b>10</b>	Priklop montažnega okvira na sistem za odpiranje garažnih vrat .....	5
<b>11</b>	Nameščanje in montaža sistema za odpiranje garažnih vrat .....	5
<b>12</b>	Namestitev vrvice za sprostitvev v sili in ročaja .....	5
<b>13</b>	Namestitev samodejnega zapaha vrat .....	6
<b>14</b>	Nameščen mora biti priklop nadzora napetosti kabla (041A9264) (zahtevana oprema) .....	6
<b>15</b>	Namestitev LED lučke MyQ Remote(namenjeno le za suha območja) .....	7
<b>16</b>	Električni priklop .....	7
<b>17</b>	Namestitev fotocelic .....	7
<b>18</b>	Priklop napajanja .....	8
<b>19</b>	Namestitev rezervne baterije (opsijska oprema) .....	8
<b>20</b>	Program Premikanje .....	9
<b>21</b>	Testiranje sistema za varnostno premikanje v nasprotno smer .....	9
<b>22</b>	Ročno odpiranje vrat .....	10
<b>23</b>	Uporaba sistema odpiranja vrat garaže .....	10
<b>24</b>	Povezovanje s svojim pametnim telefonom .....	12
<b>25</b>	Programirajte svoj sistem za odpiranje in daljinski upravljalnik / Gumb za brezžično upravljanje/ / Brezžična ključavnica (opcija) .....	13
<b>26</b>	Programiranje LED lučke MyQ Remote .....	13
<b>27</b>	Brisanje pomnilnika .....	14
<b>28</b>	Vzdrževanje in nega sistema za odpiranje garažnih vrat .....	14
<b>29</b>	Zamenjava baterij daljinskega upravljalnika .....	14
<b>30</b>	Odstranjevanje med odpadke .....	15
<b>31</b>	Diagnostična tabela .....	15
<b>32</b>	Odpravljanje težav .....	16
<b>33</b>	Izbirna dodatna oprema .....	18
<b>34</b>	Tehnični podatki .....	18
<b>35</b>	Varnostna navodila in navodila za vzdrževanje sistem samodejnega odpiranja vrat .....	19
<b>36</b>	Rutinsko vzdrževanje lahko prepreči tragedije .....	20

# OPOZORILO!

## ZAČNITE TAKO, DA PREBERETE TA POMEMBNA VARNOSTNA NAVODILA!

### 1 Splošne varnostne smernice

Pred začetkom namestitve:

Preberite navodila za uporabo in še posebej previdnostne ukrepe. Navodila za uporabo shranite za poznejšo referenco in jih predajte morebitnemu naslednjemu lastniku. Pred navodili so postavljeni naslednji simboli, da bi se izognili telesnim poškodbam ali poškodovanju lastnine. Skrbno preberite navodila.



#### POZOR

Telesne poškodbe ali poškodovanje lastnine



#### POZOR

Nevarnost zaradi električnega toka ali napetosti

Pomembne varnostne informacije

Sistem za samodejno odpiranje vrat je bil predmet številnih testov in je konstruiran za varno delovanje, varnost pa lahko zagotovite le, če med nameščanjem in delovanjem dosledno upoštevate varnostna navodila, našeta v nadaljevanju. Ta izdelek smejo nameščati le izkušeni tehniki za sisteme garažnih vrat. Ta izdelek lahko morda zahteva nastavitve vzmeti na vratih in/ali konfiguracijo tirnic. Ta izdelek ni namenjen za uporabo pri tirnicah vrat pri nizkem stropu z zunanjim bobnom za navijanje ali garažnimi vrati, ki uporabljajo vzmetne podaljške.

- Inštalater (specialist) mora pred začetkom kakršnega koli dela skrbno prebrati in razumeti ta navodila. Pred prvo uporabo in najmanj enkrat na leto mora specialist pregledati, ali je uporaba oken in vrat s pogonom varna. Specialist je človek, ki ima snovi svoje tehnične izobrazbe ter izkušeni dovolj znanja na področju oken in vrat s pogonom in pozna ob tem tudi ustrezne varnostne predpise ter splošno sprejeta pravila tehnologije, ki veljajo v državi v takšnem obsegu, da lahko oceni varne delovne pogoje oken in vrat s pogonom.
- Inštalater mora poznati naslednje standarde: EN 13241, EN 12604, EN 12453. Usposobljen specialist/strokovnjak mora uporabnika poučiti o naslednjem:
  - delovanje pogona in nevarnosti
  - uporaba ročnega mehanizma za odpahnitev
  - rednem vzdrževanju, kontrolnih pregledih in negi ter njegovih nalogah
  - upravljavec mora poučiti uporabnika o delovanju pogona. Po uspešni namestitvi pogona mora oseba, odgovorna za namestitve pogona v skladu z direktivo Stroj 2006/42/ES izročiti izjavo ES o skladnosti za sistem vrat. Na sistem vrat je treba namestiti oznako CE in tipsko ploščico. To je obvezno tudi ob ponovni namestitvi na vrata z ročnim upravljanjem. Izpolnjeni morata biti tudi zapisnik o predaji in knjiga s pregledi.
- Vrata morajo biti uravnotežena. Nepremična ali zagozdena vrata morajo biti popravljena. Če vrata niso uravnotežena, so garažna vrata, vzmeti, kabli, diski, okvirji in vodila pod izjemno veliko napetostjo, to pa lahko vodi do hudih poškodb. Ne poskušajte popustiti, premakniti ali ponovno poravnati vrata ampak kontaktirajte s servisom ali profesionalcem, ki bo odpravil motnjo.
- Med nameščanjem ali vzdrževanjem sistema za odpiranje vrat ne smete nositi nakita, ur ali ohlapnih oblačil.
- Da bi preprečili hude telesne poškodbe zaradi zapletanja, odstranite pred nameščanjem sistema za odpiranje vrat vse kable in verige, ki so priklopljeni na vrata.
- Med nameščanjem in električnim povezovanjem je treba upoštevati krajevne gradbene in električne predpise.
- V skladu z EN12453 je treba namestiti sistem za nadziranje napetosti kablov.
- Da bi se izognili poškodbam zelo lahkih vrat (kot so vrata iz steklenih vlaken, aluminija ali jekla), je treba dodati ustrezno pomoč za okrepitev. Za to kontaktirajte s proizvajalcem.
- Sistem za samodejno varnostno spreminjanje smeri premikanja vrat mora opraviti test. Po stiku s 40 mm visoko oviro na tleh, garažna vrata MORAJO spremeniti smer premikanja. Napake pri pravilnem nastavljanju sistema za odpiranje vrat lahko zaradi zapiranja garažnih vrat povzročijo hude telesne poškodbe. Ta test ponovite enkrat na mesec in opravite potrebne spremembe.
- Sistema ni dovoljeno nameščati v vlažnem ali mokrem okolju.
- Med delovanjem garažna vrata na noben način ne smejo ovirati javnih poti.
- Za opominjanje vseh upravljavcev varnega delovanja, je treba ob osvetljenem stenskem stikalu namestiti tudi opozorilne znake za zaščito otrok. Opozorilne znake o tveganju ukleščenja je treba namestiti na jasno vidne točke.
- Otroke je treba nadzorovati in tako zagotoviti, da se ne bi igrali z napravo. Otrokom ne dovolite, da bi upravljali gumb, ali daljinski upravljalnik. Otrokom ne dovolite, da bi se igrali v bližini vrat.
- Izdelka ne smejo uporabljati osebe (vključno z otroki) z omejenimi fizičnimi, čutnimi ali umskimi sposobnostmi, ali osebe s pomanjkanjem izkušenj in/ali znanja, razen, če jih ne nadzoruje oseba, ki je odgovorna za njihovo varnost, ali so od njih navodila o uporabi naprave.
- Vse blokade / zapahnitve so dezaktivirane, da bi se izognili poškodbam vrat.
- Če je treba, MORA biti nameščena oprema za nadzor montirana v vidnem območju vrat in izven dosega otrok. Otrokom ni dovoljeno upravljati gumbov ali daljinskega upravljalnika. Zloraba sistema za odpiranje vrat lahko povzroči hude poškodbe.
- Sistem za odpiranje vrat je dovoljeno uporabljati LE, če upravljavec lahko vidi celotno območje in je prepričan, da v tem območju ni ovir in da je sistem za odpiranje nastavljen pravilno. Nihče ne sme iti skozi vrata, ki se premikajo. Otroci se ne smejo igrati v bližini vrat.
- Ročno sprostitvev uporabljajte le za ločevanja nosilca od pogona ter - če je mogoče - LE, ko so vrata zaprta. Ne uporabljajte rdečega ročaja za potiskanje vrat gor, ali vlečenje navzdol.
- Pred kakršnim koli popravilom ali odstranjevanjem pokrovov je treba sistem za odpiranje vrat ločiti od električnega napajanja.

**Le pooblašteni elektrikar sme popravljati in nameščati električne elemente.**

- Ta izdelek ima pretvornik z ločenim električnim kablom. Če se poškoduje, ga MORA kvalificirani tehnik zamenjati z originalnim pretvornikom.
- Če so vzmeti slabe ali zlomljene, ali, če vrata niso uravnotežena, lahko uporaba sprostive v sili vodi do nenadzorovanega premikanja vrat.
- Ročaj za aktiviranje sprostive v sili je treba montirati na višini najmanj 1,80 m.
- Funkcija Merilnik časa za zapiranje (Timer-to-Close = TTC), programček za upravljanje s pametnim telefonom MyQ ter monitor za garažna vrata in vrata MyQ so primeri nehotenega zapiranja in jih je dovoljeno uporabljati LE s sekcijskimi vrati. Vsaka naprava ali funkcija, ki omogoča zapiranje vrat, če nimate pogleda na vrata, velja kot zapiranje brez nadzora. Funkcijo merilnika časa za zapiranje (TTC), upravljanje s pametnim telefonom MyQ ter monitor za garažna vrata in vrata MyQ je dovoljeno uporabljati le s sekcijskimi vrati.
- Pogona ni dovoljeno uporabiti, če so v garažna vrata vgrajena vrata za osebni prehod.

**Shranite ta navodila.**

## 2 Predvidena uporaba

Naprava je namenjena odpiranju in zapiranju vrat, ki uporabljajo torzijsko palico in vzmeti (upoštevajte razdelek 3 "Načrtovanje"). Naprava ni namenjena komercialni uporabi ampak le za uporabo pri zasebnih garažah, ki so primerna za enodružinsko gospodinjstvo. Kakršna koli nepravilna uporaba pogona lahko poveča tveganje nastanka nesreč. Proizvajalec ne daje jamstva za tovrstno uporabo. Bo pogon je dovoljeno priklopiti le izvorno opremo LiftMaster. S tem pogonom se morajo avtomatska vrata ujemati s trenutno veljavnimi mednarodnimi in državnimi specifičnimi in krajevnimi standardi, smernicami in predpisi (EN 13241, EN 12453 in EN 12604).

## 3 Načrtovanje delovanja vrat

Nadzirajte območje, da bi videli, ali katero koli stanje ustreza vaši namestitvi. Odvisno od vaših zahtev, bo morda potreben dodatni material.

**ZA SISTEM ZA ODPIRANJE VRAT JE ZDRUŽLJIV Z:**

- vrati, ki uporabljajo torzijske palice in vzmeti; torzijska palica mora imeti premer najmanj 25,4 mm: NI združljiv z bobni, ki se navijajo vzvratno
- Bobnov 80-120 mm ni dovoljeno uporabiti na stožčastih bobnih večjih od 120 mm.
- Sekcijska vrata, ki se odpirajo do 3 m visok.
- Vrata do širine 5,5 m.
- Vrata do 16.5 m<sup>2</sup>.

*OPOMBA: Med dvigovanjem in spuščanjem vrat kontrolirajte torzijsko palico. Pomembno je, da ni opaznih premikov gor in dol, ali levo in desno. Če premikanje ni pravilno, se bo občutno skrajšala življenjska doba sistema za odpiranje vrat.*

Preglejte ali kontrolirajte predlagano območje namestitve. Sistem za odpiranje lahko namestite na levi ali desni strani vrat. Izberite stran, ki izpolnjuje spodaj našete zahteve.

- Med steno in središčem torzijske palice mora biti najmanj 6,4 cm prostora.
- Med stropom in središčem torzijske palice mora biti najmanj 7,6 cm prostora.
- Med stransko steno (ali oviro) in koncem torzijske palice mora biti najmanj 21,6 cm prostora.
- Torzijska palica se mora raztegniti najmanj 3,81 cm za ležajem. To se lahko spreminja glede na vaše zahteve namestitve.
- Električna vtičnica mora biti oddaljena največ 1,83 m od območja namestitve. Če vtičnice ni, kontaktirajte s pooblaščenim električarjem.

## 4 Načrtovanje delovanja MyQ

Ta sistem za upravljanje lahko nadzirate z MyQ - treba pa je namestiti fotocelice. S programčkom MyQ nadzorujete in upravljate svoja garažna vrata od koder koli.

**PRED ZAČETKOM:**

Potrebujete:

- pametni telefon, tablični računalnik ali prenosnik, ki ima brezžično povezavo
- širokopasovno internetno povezavo
- brezžični signal v garaži (zahtevana je povezava 2,4 Ghz, 802.11b/g/n)
- geslo za svoje domače omrežje (usmerjevalnikov glavni račun, je gostujoče omrežje)

**PREVERJANJE JAKOSTI BREŽIČNEGA SIGNALA**

Zagotovite, da bo mobilna naprava priklopljena na brezžično omrežje. Svojo mobilno napravo držite na mestu, kjer bo nameščen sistem za odpiranje vrat garaže ter preverite jakost brezžičnega signala

**Brezžični signal je močen.**

Sistem za odpiranje garažni vrat se bo povezal z vašim brezžičnim omrežjem.

**Brezžični signal je slab.**

Sistem za odpiranje se bo morda povezal z vašim brezžičnim omrežjem. Če se ne, poskusite eno od spodnjih možnosti, da bi izboljšali brezžični signal.:

**Ni brezžičnega signala**

Sistem za odpiranje garažni vrat se ne bo mogel povezati z brezžičnim omrežjem. Poskusite eno od spodnjih možnosti, da bi izboljšali brezžični signal.

- Usmerjevalnik premaknite bližje sistemu za odpiranje garažnih vrat, da bi minimizirali motnje zaradi sten in drugih predmetov
- Kupite ojačevalnik brezžičnega dosega

## 5 Priprava garažnih vrat



**PAZOR:** Če se garažna vrata zataknejo, zagostijo ali niso uravnotežena **VEDNO POKLIČITE** usposobljenega tehnika za sisteme vrat. Neuravnotežena garažna vrata se morda **NE BODO** premaknila v nasprotno smer, ko bo to treba. **NIKOLI** ne poskušajte deblokirati, premakniti ali nastaviti garažna vrata, vzmeti vrat, kable, škripce, okvirje ali njihovo strojno opremo, **VSI TI DELI** so pod **ZELO VELIKO** napetostjo. Odklopite

VSE zapahe in odstranite VSE vrvi, priključene na garažna vrata **PREDEN** boste nameščali in upravljali sistem za odpiranje garažnih vrat. Tako boste se namreč izognili zapletanju. Ta sistem za odpiranje ima funkcijo, nehotenega delovanja. Vrata se lahko premaknejo nepričakovano. **NIHČE NE SME PREKRIŽATI POTI PREMIKAJOČIM SE VRATOM.**

**PRED ZAČETKOM:**

- Odpahnite zapahe.
- Odstranite vse vrvi, priključene na garažna vrata

Da bi se prepričali, ali so vrata uravnotežena in se ne zatikajo ali blokirajo opravite naslednji test:

- vrata dvignite do polovice spustite vrata če so uravnotežena, bi morala ostati na mestu, in jih podpirajo le vzmeti vrat.
- Dvignite in spustite vrata, da bi preverili, ali se ne zatikajo ali blokirajo.
- Vrata, težja od 130 kg se ne **SMEJO** odpreti ali hitro pasti.

Če se vaša vrata zagostijo, zataknejo ali niso uravnotežena, pokličite usposobljenega tehnika za sisteme vrat.

## 6 Potrebna orodja

Med sestavljanjem, nameščanjem in prilagajanjem sistema za odpiranje garažnih vrat, zahtevajo navodila ročno orodje, ki je navedeno v nadaljevanju.

- |                     |                                     |
|---------------------|-------------------------------------|
| 1. Lestvica         | 7. Izvijač                          |
| 2. Vrtalnik         | 8. Vodna tehtnica                   |
| 3. Merilni trak     | 9. Tesarsko kladivo                 |
| 4. Rezalnik žic     | 10. Nastavki in raglje s podaljškom |
| 5. Klešče           | 11. Nastavljiva končna raglja       |
| 6. Vrtalni nastavki | 12. Svinčnik                        |

## 7 Vsebina paketa

Skrbno preverite embalažo in preverite, ali je priloženo vse.

### SISTEM ZA ODPIRANJE VRAT

- |   |    |
|---|----|
| 1. Sistem za odpiranje garažnih vrat, LM3800W | 1x |
| 2. Samodejni zapah garažnih vrat, 841EU       | 1x |
| 3. Montažni okvir                             | 1x |
| 4. Objemka s kompletom vijakov                | 1x |
| 5. Varnostna nalepka                          | 1x |
| 6. Daljinski upravljalnik s 4 gumbi, TX4EVF   | 2x |
| 7. LED lučka MyQ Remote, 827EV                | 1x |
| 8. Priročnik                                  |    |

### OPREMA DALJINSKE LUČKE

- |  |    |
|--|----|
| 9. Sidri za mavčni zid (za privijanje) 42 mm | 2x |
| 10. Vijaka 27,85 mm                          | 2x |

### VREČKA Z OPREMO

- |   |    |
|---|----|
| 11. Vijaka 15 mm                                | 2x |
| 12. Vijaki 54,8 mm                              | 4x |
| 13. Ročaj                                       | 1x |
| 14. Vrv   | 1x |
| 15. Vijaka 15 mm                                | 2x |
| 16. Sidra za mavčni zid (za privijanje) 36,8 mm | 4x |
| 17. Vijaka 22 mm                                | 2x |

## 8 Zahtevana oprema

Monitor za napetost kabla 041A92642.

Infrardeče fotocelice (za delovanjeTTC in MyQ: - 771EV ali- 772E ali- 771EVK ali- G770E).

## 9 Priklop objemke na sistem za odpiranje garažnih vrat

Da bi se izognili težavam ob namestitvi, ne zaženite sistema za odpiranje garažnih vrat dokler vam ne bo odrejeno.

Sistem za odpiranje vrat lahko namestite na katero koli stran vrat (glejte razdelek Načrtovanje). Prikazane slike so za namestitev na listu z ilustracijami.

1. Odvijte komplet vijakov.
2. Priklopite objemko na motorno gred sistema za odpiranje garažnih vrat. Stranski del objemke z večjo luknjo mora biti nameščena na motorno gred.
3. Zagotovite, da se objemka prilega na celotnem poteku motorne gredi, dokler ni doseženo ustavljalo.
4. Objemko namestite tako, da bodo vijaki kazali navzven in so dostopni, ko jo pritrjujete na torzijsko palico.
5. Trdno zategnite 2 kompleta vijakov s pravokotno glavo, ki je najbližji gredi motorja tako, da vijake privijete za 1/4 - 1/2 obrata po stiku z gredjo motorja.

## 10 Priklop montažnega okvira na sistem za odpiranje garažnih vrat



1. S priloženimi vijaki rahlo pritrdite stran montažnega okvira z režami na isto stran sistema za odpiranje garažnih vrat, kot ste montirali objemko.

OPOMBA: Vijakov ne zategnite, dokler ni zahtevano

## 11 Nameščanje in montaža sistema za odpiranje garažnih vrat



Če montirate okvir na zid, MORATE uporabiti betonska sidra. NIKOLI ne poskušajte deblokirati, premakniti ali nastaviti garažna vrata, vzmeti vrat, kable, škripce, okvirje ali njihovo strojno opremo, VSI TI DELI so pod ZELO VELIKO napetostjo. Če se garažna vrata zataknejo, zagostijo ali niso uravnovežena VEDNO POKLIČITE usposobljenega tehnika / inštalaterja / specialista za sisteme vrat. Neuravnovežena garažna vrata se morda NE bodo premikala v nasprotno smer, ko bo treba. Sistem za odpiranje garažnih vrat MORA BITI montiran pravokotno na torzijsko palico, da bi se s tem izognili prehitri obrabi objemke. Upoštevajte zahteve na kraju vgradnje.

OPOMBA: Za dodatno možnosti montaže glejte na straneh ustrezne opreme.

1. Popolnoma zaprite garažna vrata.
2. Sistem za odpiranje garažnih vrat potisnite na konec torzijske palice. Če je torzijska palica predolga ali poškodovana, jo bo morda treba odrezati. Zagotovite, da se objemka NE BO dotikala ležajev.
3. Za namestitev uporabite vodno tehniko in navpično poravnajte sistem za odpiranje garažnih vrat. Prepričajte se, ali je montažni okvir nameščen na trdno površino, kot so recimo les, beton ali okvir/kriilo vrat. Če nameščate na mavčno steno, MORA biti montažno okvir pritrjen na zakovico.
4. Ko je sistem za odpiranje garažni vrat pravilno poravnal, označite luknje montažnega okvirja. Če je treba, zategnite vijake na torzijski palici, da bi med označevanjem lukenj pridrili sistem za odpiranje garažni vrat na mestu. OPOMBA: Ni treba, da je sistem za odpiranje garažnih vrat poravnal s steno.
5. Odstranite sistem za odpiranje garažnih vrat s torzijske palice. Na označenih mestih izvrtajte vodilne luknje 5 mm. Če je treba prevrtajte skozi kovinske plošče tirnice vrat.
6. Sistem za zapiranje garažni vrat potisnite nazaj na torzijsko palico, dokler vodilne luknje niso poravnane z okvirjem.
7. Zategnite 2 kompleta vijakov s kvadratno glavo na torzijski palici. Za votlo torzijsko palico zategnite vijake za 3/4 - 1 poln obrat potem, ko je prišlo do stika s palico. Za polno torzijsko palico zategnite vijake za 1/4 - ne več kot 1/2 obrata potem, ko je prišlo do stika z gredjo. Če nameščate na torzijsko gred z maticami, NE zategnite vijakov v matico.
8. Zavarujte montažni okvir na steno in na sistem za odpiranje garažnih vrat. Za zavarovanje montažnega okvira na steno uporabite vijake (12).

## 12 Namestitev vrvice za sprostitev v sili in ročaja



Če je mogoče, uporabite ročaj za sprostitev v sili, da bi odpahnili vrata LE, če so ZAPRTA. Slabe ali zlomljene vzmeti ali neuravnovežena vrata lahko ob odpiranju hitro in/ali nepričakovano padejo nazaj na tla. NIKOLI ne uporabljajte ročaja za sprostitev v sili, razen, če na poti vrat ni ljudi ali ovir.

1. En konec vrvi za sprostitev v sili vtaknite skoti ročaj. Zagotovite, da bo "OPOMBA" usmerjena z desno stranjo navzgor. Z navadnim vozлом zavarujte najmanj 2,5 cm od konca vrvi, da bi preprečili drsenje.
2. Drugi konec vrvice za sprostitev v sili vstavite skozi luknjo v roki za sprostitev vozička. Sistem za sprostitev v sili namestite znotraj dosega, a najmanj 1,83 m nad tlemi in preprečite stik z vozilom, da bi preprečili nehoteno sprostitev ter na koncu zavarujte z navadnim vozлом.

OPOMBA: Če je treba odrezati vrstico, segrejte pečat na odrezanem koncu z vžgalico ali vžgalnikom, da bi preprečili razpletanje vrvice.



## 13 Namestitev samodejnega zapaha vrat

Samodejni zapah vrat (model 841EU) se uporablja za preprečevanje ročnega odpiranja vrat potem, ko so vrata popolnoma zaprta.

*OPOMBA: Starejši modeli zapaha vrat 24 V niso združljivi.*

1. Zapah je treba montirati, če je le mogoče, znotraj 3,05 m od sistema za odpiranje vrat in na isti strani, ko je sistem za odpiranje vrat.
2. Zagotovite, da bo površina tirnice čista in pritrdite predlogo zapaha na tirnico tako, da je luknja za zatič pribl. 7,6 cm od sredine kolesca vrat.
3. Izvrtajte luknje, kot so označene na predlogi.
4. Samodejni zapah vrat pritrdite na zunanjo stran tirnice vrat s priloženo opremo.
5. Žico zvonca povlecite po sten navzgor do sistema za odpiranje vrat. Za zaščito žice uporabite na različnih mestih izolirane spenjalce. Žico vstavite skozi spodnji del sistema za odpiranje vrat.
6. V vsak vtič sistema za odpiranje vrat vtaknite priključke. Sekundarni zapah vrat (841EU) lahko namestite na drugo stran vrat ob upoštevanju zgornjih navodil.

### TESTIRANJE SAMODEJNEGA ZAPAHA VRAT

1. Ko so vrata zaprta do konca, mora zatič samodejnega zapaha vrat (B) v celoti biti potisnjen v tirnico.
2. Premaknite vrata v smeri odpiranja. Samodejni zapah vrat (A) se mora izveliči še preden se začnejo vrata premikati.
3. Premaknite vrata v smeri zapiranja. Ko vrata dosežejo položaj popolne zaprtosti, se mora samodejni zapah vrat premakniti v zapahjen položaj in zaščititi vrata.

*OPOMBA: Če samodejni zapah vrat ne deluje, lahko zapah sprostite ročno tako, da potisnete ročico za ročno sprostitvev (C) v odprti položaj.*

## 14 Nameščen mora biti priklop nadzora napetosti kabla (041A9264) (zahtevana oprema)

Nadzor napetosti kabla MORA biti priklopljen in pravilno nameščen še preden se bo sistem za odpiranje vrat premaknil v smeri zapiranja (navzdol). Nadziranje napetosti kabla zazna VSAKO zrahljanost, ki se lahko pojavi pri kablilih in bo obrnil premikanje vrat v nasprotno smer ter tako preprečil klice servisa. V skladu z EN12453 je treba namestiti sistem za nadziranje napetosti kablov.

*OPOMBA: Nadzor napetosti kabla je priložen za namestitev na levo stran. Za namestitev na desno stran odstranite zaskočni obroč, ko drži kolesce na mesto in ga prestavite na nasprotno stran nadzora napetosti kabla.*

1. Zagotovite, da bo kabel vrat približno 19 mm od montažne površine. Morda bo treba nastaviti ali popraviti, da bi dosegli pravo globino za kabel vrat.
2. Nadzor napetosti kabla namestite tako, da so kolesca 5-15 cm od bobna in kolesa ne segajo več kot 3-6 mm prek kabla. Zagotovite, da bo nadzor napetosti kabla nameščen nad lesenim podpornim elementom in, da na poti kolesca ni ovir.  
*OPOMBA: Na območju namestite ne sme biti ovir, saj le tako preprečite nadzoru napetosti kabla, da se zapre v celoti, ko je zaznana zrahljanost.*
3. Označite in iz izvrtajte vodilne luknje 5 mm za vijake (vodilne luknje niso potrebne za sidra).
4. Nadzor napetosti kabla pritrdite na steno s priloženimi pripomočki. Zagotovite, da bo kolesce na vrhu kabla.
5. Povlecite žico zvonca do sistema za odpiranje vrat. Za pritrditev žive uporabite izolirane sponke.
6. Živo zvonca priklopite na zelene priključke za hitro spajanje (10 + 11) na sistemu za odpiranje vrat (polariteta ni pomembna).  
*OPOMBA: Kabel mora biti napet po celotni dolžini poti vrat. Zagotovite, da kabel med običajnim delovanjem ni zrahljan na nasprotni strani vrat. Če prede do zrahljanosti med premikanjem vrat, nastavite kable tako, kot je zahtevano.*

Če sta nameščena dva nadzora napetosti kabla, se vrata ne bodo premikala v smeri navzdol ali se premaknila v nasprotni smeri, če eden od nadzorov zazna zrahljanost ali je odklopljen.

### TEST NADZORA NAPETOSTI KABLA

1. Ko so vrata odprta do konca, pritisnite na sprednji del nadzora napetosti kabla. Zaslišati bi morali klik. Če ni klika, je kolesce morda zadelo okvir in ne dovoljuje, da bi stikalo zaznalo zrahljanost kabla. Zagotovite, da bo nadzor napetosti kabla nameščen poravnano s steno in, da na poti kolesca ni ovir.

Vgrajeni upor 1k je le za odpravljanje nastavitve CTM. V skladu z EN 12453 je treba nadzor napetosti kabla namestiti zaradi pravilnega zaznavanja ohlapnosti kabla.

Če se je nadzor napetosti kabla aktiviral, bosta na puščici GOR in DOL utripali diagnostični kodi 3-5.

## 15 Namestitev LED lučke MyQ Remote (namenjeno le za suha območja)

LED lučka MyQ Remote LED je konstruirana tako, da jo lahko vtaknete neposredno v vtičnico 230 V. Izberite ustrezno mesto na stropu ali steni, da bi montirali lučko v območju 1,83 m od električne vtičnice tako, da sta kabel in lučka v stran od premikajočih se delov. LED lučko MyQ Remote je treba namestiti, da bi omogočili delovanje MyQ in merilnika časa za zapiranje (TTC).

*OPOMBA: Če nameščate lučko na mavčno ploščo in ne morete ugotoviti, kje je stropni tram, uporabite priložena sidra za mavčno ploščo. Za sidra za mavčne plošče ne potrebujete vodilnih luknj.*

1. Če montirate na stropni tram izvrtajte vodilne luknje 15,6 cm stran od njega. ALI V mavčno steno privijte sidra 15,6 cm narazen, če montirate na mavčno ploščo.
2. Določite dolžino električnega kabla, ki je potrebna, da doseže najbližjo vtičnico. Presežni kabel navijte okoli zadrževalnika kabla na zgornji stani podstavka luči. Kabel speljite po kanalu tako, da je poravnan z montirano lučko.
3. Odprite lečo luči.
4. Luč montirajte s priloženimi vijaki (11 + 12).
5. Zaprite lečo luči.
6. Priključite luč na vtičnico.

OPOMBA: LED luč sveti zelo močno. Ne glejte v luč, ko ste na lestvici.

Luč za osvetlitev sistema za odpiranje garažnih vrat je že programirana v tovarni za delovanje s sistemom odpiranja. Programirati je treba le dodatno ali nadomestno luč za osvetlitev.

## 16 Električni priklop



Da bi se izognili telesnim poškodbam ali gmotni škodi pri napravi, mora sistem za odpiranje vrat delovati le , če je tako izrecno navedeno v tem priročniku. Električni vtič mora biti vedno dostopen, da bi ga lahko odklopili od električnega napajanja. Električno namestitev sme opraviti le pooblaščen električnikar.

## 17 Namestitev fotocelic

### POMEMBNA INFORMACIJA O INFRARDEČIH FOTOCELICAH

Navodila za namestitev so priložena obsegu dobave infrardečih fotocelic in jih je treba upoštevati. **Fotocelice zagotavljajo, da se vrata odpirajo, ali ostanejo odprta, če so v območju vrat ljudje, še posebej otroci.** Če so pravilno priklopljeni in izravnani, bodo infrardeče fotocelice zaznale oviro na poti svojega elektronskega žarka. Oddajni senzor bo prenesel nevidni svetlobni žarek sprejemnemu senzorju. Če ovira prekine svetlobni žarek, ko se vrata zapirajo, se bodo vrata ustavila in se začela premikati nazaj ter se odprla do konca, lučka sistema za odpiranje pa bo utripnila 10 krat.

Za uporabo funkcij MyQ ali TTC morajo biti senzorji nameščeni v garaži tako, da so oddajni in sprejemni senzorji obrnjeni eni proti drugim na nasprotnih straneh vrat in ne več 10 cm nad tlemi. Lahko jih namestite ali na levi ali desni strani vrat, če sonce nikoli ne sije v leče sprejemnih senzorjev. Nevidna pot svetlobnega žarka mora biti neovirana. Noben del garažni vrat (tirnice vrat, vzmeti, šarnirji, kolesca ali druga oprema) ne sme prekinjati žarka ob zapiranju vrat.

*OPOMBA: Liftmaster priporoča, da namestite infrardeče celite na vsako instalacijo. Za uporabo funkcij MyQ ali TTC, je namestitev infrardečih fotocelic obvezna.*

### POVEZAVA INFRARDEČIH FOTOCELIC Z ŽICAMI

1. Povlecite žico od obeh senzorjev do sistema za odpiranje garažnih vrat. S sponkami priprite žico na steno in strop.
2. Snemite 11 mm izolacije iz vsakega kompleta žic. Ločite žice. Zvijte bele žice skupaj. Zvijte belo/črne žice skupaj.
3. Vstavite bele žice v beli priključek na sistemu za odpiranje vrat. Vstavite belo/črne žice v sivi priključek na sistemu za odpiranje vrat. Za vstavljanje ali odstranjevanje žic iz priključka, vtisnite jeziček s konico izvijača.

### ZAGOTAVLJANJE, DA SO INFRARDEČE FOTOCELICE PORAVNANE

**Vrata se ne bodo zaprla, če senzorji niso pravilno nameščeni in poravnani.**

Če je svetlobni žarek moten ali ni poravnan, ko se vrata zapirajo, se bodo vrata začela premikati v nasprotno smer in lučka sistema za odpiranje garažnih vrat bo utripnila deset krat. Če so vrata že odprta, se ne bodo zaprla. Senzorje lahko poravnate če odvijete matice s kričli, poravnate senzorje in zategnete matice s kričli.

1. Preverite, da bi se prepičali, ali žarita LED-a v obeh senzorjih neprekinjeno. LED-a v obeh senzorji bosta žarela neprekinjeno, če sta poravnana in pravilno povezana z žicami.

### TESTIRANJE INFRARDEČIH FOTOCELIC

1. Odprite vrata. Namestite oviro na poti vrat.
2. Pritisnite gumb na daljinskem upravljalniku za zapiranje vrat. Vrata se ne bodo premaknila za več kot 2,5 cm in sistem za odpiranje garažnih vrat bo utripnil 10 krat.

Sistem za odpiranje garažnih vrat se ne bo zaprl z daljinskim upravljalnikom, če je LED v kateri koli fotocelici izklopljen (in s tem opozoril, da senzor ni poravnan ali je oviran). **Če sistem za zapiranje vrat garaže zapre vrata, če sta fotocelici ovirani (in senzorja nista več kot 10 cm nad tlemi), pokličite usposobljenega tehnikar za sisteme vrat.**

## 18 Priklop napajanja

Da bi se izognili težavam ob namestitvi, ne zaženite še sistema za odpiranje.

Ta zmanjšanje tveganja udara elektrike ima sistem za odpiranje garažnih vrat ozemljeni vtič. Ta vtič se bo prilegal le vtičnicam z ozemljitvijo. Če se vtič ne ujema z vtičnico, kontaktirajte s kvalificiranim električarjem, da bo namestil pravo vtičnico.

Obstaja le en način za priklop napajanja:

**TIPIČNA POVEZAVA Z ŽICAMI**

Sistem za odpiranje garažni vrat priklopite na ozemljeno vtičnico.

## 19 Namestitev rezervne baterije (opcijnska oprema)



Za zmanjšanje nevarnosti **POŽARA** ali **POŠKODB** ljudi. **PRED** začetkom **KAKRŠNIH KOLI** servisni del ali vzdrževanja odklopite VSO elektriko in napajanje z baterijo. Za zamenjavo baterije uporabljajte LE nadomestni del 485EU LiftMaster. Baterije **NE** mečite v ogenj. Baterija lahko eksplodira. Preverite krajevne predpise z navodili za odstranjevanje med odpadke.

Ko je v načinu z rezervno baterijo, bosta, upravljanje s pametnim telefonom MyQ in brezžične naprave MyQ onemogočene. V načinu z rezervno baterijo, se bo samodejni zapah garažnih vrat odpahnil in garažna vrata so odprta in bodo ostala onemogočena, dokler je napajanje moteno.

1. Odklopite sistem za odpiranje garažnih vrat.
2. Za odstranjevanje pokrova baterije na sistemu za odpiranje garažnih vrat uporabite izvijač.
3. Delno vstavite baterije v predal za baterije, tako, da priključki gledajo ven.
4. Priklopite rdečo (+) in črno (-) žico sistema za odpiranje garažnih vrat na ustrezne priključke na bateriji.
5. Ponovno namestite pokrov predala za baterije.
6. Priklopite sistem za odpiranje garažnih vrat.

### LED STANJA BATERIJE (B)

#### ZELENI LED:

vsi sistemi delujejo normalno.

- Trajna zelena LED lučka označuje, da je baterija napolnjena do konca.
- Utripajoča zelena LED lučka označuje, da se baterija poli.

#### ORANŽNI LED:

Sistem za odpiranje garažnih vrat je izgubil napajanje in deluje v načinu z rezervno baterijo.

- Neprekinjeni oranžni LED bo piskal in se oglašal približno vsaki 2 sekundi ter označil, da deluje istem za odpiranje garažnih vrat le z napajanjem prek baterije.
- Utripajoči oranžni LED bo piskal in se oglasil vsakih 30 sekund ter označil, da je napajanje baterije nizko.

#### RDEČI LED:

12 V baterijo sistema za odpiranje vrat je treba zamenjati.

- Neprekinjeni rdeči LED bo piskal in se oglasil vsakih 30 sekund ter označil, da baterija 12 V ne bo več zmogla napajanja in jo je treba zamenjati. Zamenjajte rezervno baterijo, da bi ohranili funkcijo rezervne baterije.

**OPOMBA:** Za delovanje sistema za odpiranje garažnih vrat ni treba, da so baterije napolnjene do konca.

## 20 Program Premikanje



Nepravilna nastavitve meja premikanja garažnih vrat bo motila pravilno delovanje in varnost sistema obrnjenega premikanja. Po **KAKRŠNIH KOLI** opravljenih nastavitvah **JE TREBA** testirati sistem obrnjenega premikanja. Vrata se **MORAJO** začeti premikati v nasprotno smer po stiku s 40 mm predmetom na tleh. Da bi preprečili poškodovanje vozila zagotovite, da bodo popolnoma odprta vrata zagotavljala ustrezno čistino.

Omejitev premikanja regulira točke, na katerih se bodo vrata ustavila ob premikanju navzgor ali navzdol. Odklopite sistem odpiranja garažnih vrat. While programming, the UP and DOWN buttons can be used to move the door as needed.

1. Pritisnite in držite gumb Nastavitev (A), dokler gumb GOR (U) ne začne utripati in/ali zaslišite pisk.
2. Pritisnite in zadržite gumb GOR (U), dokler vrata niso v zelenem položaju GOR.
3. Ko so vrata v zelenem položaju GOR, pritisnite in spustite gumb Nastavitev (A). Lučka sistema za odpiranje garažnih vrat bo utripnila dvakrat in gumb DOL (D) bo začel utripati.
4. Pritisnite in zadržite gumb DOL (D), dokler vrata niso v zelenem položaju DOL.
5. Ko so vrata v zelenem položaju DOL, pritisnite in spustite gumb Nastavitev (A). Lučka sistema za odpiranje garažnih vrat bo utripnila dvakrat in gumb GOR (U) bo začel utripati.
6. Pritisnite in držite pritisnjen gumb GOR (U). Ko se vrata premikajo na programirani položaj GOR, bo gumb DOL (D) začel utripati.
7. Pritisnite in držite pritisnjen gumb DOL (D). Vrata se bodo premaknila na programirani položaj DOL. Programiranje je končano.

Če so luči sistema odpiranja garažnih med koraki za programiranje premikanja vrat utripnila 5 krat, se je iztekel čas programiranja. Le nadzor napetosti kabla ni nameščen, ali ugotavlja premočno zrahljanost kabla, bo luč sistema za odpiranje garažni vrat utripnila 5 krat. Zagotovite, da bo nadzor napetosti kabla nameščen pravilno in sledite korakom za Program premikanja. Če so luči sistema odpiranja garažnih med koraki za programiranje premikanja vrat utripnila 10 krat, infrardeče fotocelice niso poravnane ali so prekinjene. Ko so senzorji poravnani in neovirani, morajo vrata preiti celotne cikel premikanja navzgor in navzdol z uporabo daljinskega upravljalnika ali gumbov GOR in DOL. Programiranje je končano. Če ne morete premikati vrat gor in dol, ponovite korake za Programiranje premikanja.

## 21 Testiranje sistema za varnostno premikanje v nasprotno smer



Brez pravilno nameščenega sistema za varnostno premikanje v nasprotno smer se lahko ljudje (še posebej otroci) ob zapiranju **LAHKO HUDO POŠKODUJEJO** ali jih vrata celo **USMRTIJO**. Sistema za varnostno premikanje v nasprotno smer **JE TREBA** testirati vsak mesec. Po **KAKRŠNIH KOLI** opravljenih nastavitvah **JE TREBA** testirati sistem obrnjenega premikanja. Vrata se **MORAJO** začeti premikati v nasprotno smer po stiku s 40 mm visokim predmetom na tleh.

### TEST

1. Ob popolnoma odprtih vratih namestite 40 mm visoko desko na tla in jo poravnajte pod garažnimi vrati.
2. Pritisnite gumb na daljinskem upravljalniku za zapiranje vrat. Vrata se **MORAJO** začeti premikati v nasprotno smer ob stiku z desko.

### NASTAVLJANJE

Če se vrata ustavijo in se ne premikajo v nasprotno smer:

1. preverite priložena navodila za nameštitev, da bi se prepričali, ali ste izvedli vse korake;
2. ponovite Program premikanje (glejte Nastavitev, korak 1, "Točka 20");
3. Ponovite test varnostnega premikanja v nasprotno smer.

Če test še vedno ni uspel, pokličite usposobljenega tehnik za sisteme vrat.

### POMEMBNO VARNOSTNO PREVERJANJE:

Sistema za varnostno premikanje v nasprotno smer testirajte po:

- vsaki nastavitvi meja;
- po popravilih ali nastavitvah vrat (vključno z vzmetni in opremo);
- po popravilih ali upogibanju tal;
- po popravilih ali nastavitvah sistema odpiranja garažnih vrat.

## 22 Ročno odpiranje vrat



Če je mogoče, uporabite ročaj za sprostitev v sili, da bi odpahnili vrata LE, če so ZAPRTA. Slabe ali zlomljene vzmeti ali neuravnotežena vrata lahko povzročijo hiter in/ali nepričakovan padec odprtih vrat. NIKOLI ne uporabljajte ročaja za sprostitev v sili, razen, če je pot vrat brez ovir in ljudi.

Pred nadaljevanjem odpahnite vse zapaha vrat. Če je le mogoče, morajo biti vrata popolnoma zaprta. Povlecite navzdol ročaj za sprostitev v sili, dokler ne zaslišite klika iz sistema za odpiranje vrat in nato dvignite vrata z roko. Za ponovni priklop vrat na sistem za odpiranje vrat povlecite ročaj za odpiranje v sili naravnost navzdol še drugič, dokler ne zaslišite klika iz sistema za odpiranje vrat. Vrata se bodo ponovno priklopila ob naslednjem DVIGU ali SPUSTU.

### TEST ODPAHNITVE V SILI

1. Zagotovite, da bodo vrata zaprta.
2. Povlecite ročaj za sprostitev v sili. Nato bi morali vrata odpreti z roko.
3. Vrnite vrata v zaprti položaj.
4. Povlecite ročaj za odpiranje v sili še drugič.
5. Priklopite vrata na sistem za odpiranje vrat.

## 23 Uporaba sistema odpiranja vrat garaže

### FUNKCIJE

Ta garažna vrata imajo funkcijo, ki omogoča večji nadzor nad delovanjem garažnih vrat.

### ALARM ZA ZAPIRANJE

Funkcija alarma za zapiranje omogoča vidni alarm ob nehotenem zapiranju vrat.

### MERILNIK ČASA ZA ZAPIRANJE (TTC)

Funkcija TTC samodejno zapre vrata po določenem časovnem obdobju, ki ga lahko nastavite z uporabo TTC in omogoča nadzor vrat (potrebne so fotocelice modeli 771EV / 772E / 771EVK / G770E). Pred in med odpiranjem vrat bo utripala luč sistema za odpiranje vrat.

### AKTIVIRANJE TTC:

1. Pritisnite in spustite rumeni gumb Programiranje (L) 4 krat.
2. Rumeni LED programiranja mora ZASVETITI
3. S puščicama GOR (U) in DOL (D) preletite vse korake IZKLOP /1/5/10 minut. Rumeni LED programiranja bo po izbiri začel utripati. Na primer, če ste izbrali 5 minut, bo rumeni LED programiranja utripnil 5 krat kot povratna potrditev.
4. Pritisnite pravokotni gumb za nastavljanje (A), da bi shranili nastavev in zapustili način programiranja TTC. Ko je aktiviranje končalo MyQ LED lučka Remote bo utripnila EN krat kot potrditev. Ko programirate funkcijo TTC morati pritisniti naslednji gumb v 30 sekundah, sicer se bo aktiviranje TTC prekinilo. Če je potekel merilnik časa programiranja, se bo TTC vrnil v prejšnjo nastavev in lučka MxQ Remote bo utripnila PET krat.

Za izhod iz nedokončanega programiranja TTC pritisnite in spustite gumb za programiranje (L) še enkrat.

### SPREMEMBE MERJENJA ČASA TTC:

1. Pritisnite gumb Programiranje (L) 4 krat.
2. S puščicama GOR (U) in DOL (D) preletite vse korake IZKLOP /1/5/10 minut. Rumeni LED programiranja bo po izbiri začel utripati.
3. Pritisnite pravokotni gumb za nastavljanje (A), da bi shranili nastavev in zapustili način programiranja TTC. Ko je aktiviranje končano bo LED luč MyQ Remote LED lučka Remote utripnila EN krat kot potrditev.

### DEZAKTIVIRANJE TTC:

1. Pritisnite rumeni gumb Programiranje (L) 4 krat.
2. Pritisnite gumb Nastavev en krat, da bi shranili nastavev.
3. Ko je deaktiviranje končano bo LED luč MyQ Remote LED lučka Remote utripnila EN krat kot potrditev.

Če je TTC aktiven, bo merilnik časa odšteval in če sta IR žarka sta prekinjena, se bo merilnik časa TTC zagnal znova.

## MyQ

MyQ omogoča nadzor sistem odpiranja garažnih vrat iz svoje mobilne naprave ali računalnika od koder koli. Tehnologija MyQ uporaba radijske signale, da bi zagotovila dvostransko komuniciranje med sistemom odpiranja garažnih vrat in opremo, ki omogoča MyQ. Sistem odpiranja garažnih vrat ima interni prehod, ki omogoča, da sistem odpiranja garažnih vrat komunicira neposredno z domačim brezžičnim omrežjem (Wi-Fi®) in dostopa do vašega računa MyQ.

## INFRARDEČE FOTOCELICE

Če so pravilno priklopljene in izravnane, bodo infrardeče fotocelice zaznale oviro na poti infrardečega žarka. Če ovira prekine infrardeči žarek, ko se vrata zapirajo, se bodo vrata ustavila in se začela premikati nazaj ter se odprla do konca, lučka sistema za odpiranje pa bo utripnila 10 krat. Če so vrata odprta do konca in so nameščene infrardeče celice, a niso poravnane, se vrata ne bodo zaprla z daljinskim upravljalnikom. Vendar pa lahko vrata zaprete, če držite gumb na upravljanju vrat ali vhodu brez ključa vrat, dokler so vrata popolnoma zaprta. Infrardeče fotocelice ne vplivajo na cikel odpiranja.

## VARČEVANJE Z ENERGIJO

Za energijsko učinkovitost se bo sistem odpiranja garažnih vrat preklopil v stanje spanja, ko so vrata zaprta do konca. Način spanja ugasne sistem zapiranja garažnih vrat dokler se ne aktivira znova. Način spanja je zaporedno povezan s lučjo sistema odpiranja garažnih vrat, ko se luč ugasne, se LED-i senzorja izklopijo in kadar koli se bo vklopila luč sistema odpiranja vrat, bo LED-i senzorja zasvetili. Sistem odpiranja garažnih vrat se ne bo preklopil v način spanja, dokler sistem odpiranja vrat ni končal 5 ciklov po vklopu.

## LUČI

Luč sistema odpiranja garažnih vrat se bo prižgala, če je na začetku priklopljen sistem odpiranja; napajanje je moteno po prekinutvi ali, če se aktivira sistem odpiranja garažnih vrat. Luč se bo samodejno ugasnila po 4-1/2 minutah.

## FUNKCIJA LUČI

Sistem odpiranja garažnih vrat ima dodano funkcijo; luč se bo prižgala, če nekdo vstopi skozi garažna vrata in je prekinjen infrardeči žarek. Da bi omogočili to funkcijo, morajo biti nameščene infrardeče celice 771EV / 772E / 771EVK / G770E.

## REZERVNA BATERIJA (OPCIJA)

Sistem rezervne baterije omogoča vstop in izstop iz garaže, tudi, če je zmanjkalo toka. Če sistem odpiranja garažnih vrat deluje z rezervno baterijo, bo sistem odpiranja garažnih vrat deloval počasneje, luč ne bo delovala in LED stanja baterije bo neprekinjeno svetil oranžno, pisk pa se bo oglasil približno vsake 2 sekundi.

## UPORABA SISTEMA ODPIRANJA VRAT GARAŽE

Sistem odpiranja garažnih vrat lahko aktivirate s pomočjo upravljalnika vrat, montiranega na steno, daljinskega upravljalnika, brezžičnega vstopa brez ključa ali opreme MyQ. Ko sistem odpiranja vrat deluje prek radijskega upravljanja ali stenskega stikala:

- zapre vrata, ko so odprta do konca
- odpre vrata, ko so zaprta do konca
- ustavi vrata, če se odpirajo ali zapirajo
- premakne vrata v obratno smer od premika, končanega nazadnje, če je delno odprto.  
Če vrata zaznajo oviro ali so prekinjena med odpiranjem, se bodo vrata ustavila. Če garažna vrata zaznajo oviro med zapiranjem, bodo spremenila smer premikanja. Če ovira prekine žarek senzorja, bo luč sistema odpiranja vrat utripnila 10 krat. Vendar pa lahko vrata zaprete, če držite gumb na upravljanju vrat ali vhodu brez ključa vrat, dokler so vrata popolnoma zaprta. Infrardeče fotocelice ne vplivajo na cikel odpiranja.

## AKTIVIRANJE ŠTEVCA CIKLOV IN POSTOPEK BRANJA:

1. Da bi vstopili v način RJO odklopite napajanje.
2. Pritisnite gumba Nastavljanje (A) in Programiranje (L) ter ju držite pritisnjena do obnovitve napajanja.
3. LED na upravljavčevem gumbu s puščico "GOR"(U) LED bo utripnila EN krat za vsakih tisoč POLNIH opravljenih ciklov, dokler sta gumba Nastavljanje (A) in Programiranje (L) pritisnjena in ju držite pritisnjena.  
Če je na primer RJO opravil 8756 ciklov, bo led GOR utripnil 8 krat.

Za ponavljanje prebiranja odklopite RJO od napajanja in ga znova zaženite.

**PRENOSNIK SVETLOBE** (s 78EV): Omogoča programiranje prenosnika na MyQ Remote prek večnamenskega stenskega upravljalnika. Za programiranje prenosnika na LED lučki MyQ Remote:

1. Pritisnite in držite pritisnjena skupaj LUČ in ZAPAH.
2. Med držanjem obeh zgornjih gumbov pritisnite in držite pritisnjena enega od gumbom na prenosniku, dokler delovna luč RJO ne utripne enkrat.
3. Ko delovna luč sistema za odpiranje utripne enkrat, spustite vse gumba.

**NAČIN POČITNICE** (s 78EV). Prenosni daljinski upravljalnik ne deluje, če je ta funkcija aktivirana. Glejte navodila za 78EV.

**VSTOP BREZ KLJUČA** (potrebna je brezžična tipkovnica 747EV): Za upravljanje vrat vnesite 4-števlično kodo po svoji izbiri.

**ZAČASNI DOSTOP** (potrebna je brezžična tipkovnica 747EV): Programirate lahko začasno kodo, da bi omogočili omejen dostop do garaže (s časom ali številom odpiranj).

**FUNKCIJA ZAPIRANJA Z ENIM GUMBOM** (potrebna je brezžična tipkovnica 747EV): če nimate dostopne kode, lahko vrata zaprete iz katerega koli položaja (ne pa odprete).

## 24 Povezovanje s svojim pametnim telefonom

Sistem za brezžično (Wi-Fi®) odpiranje garažni vrat je združljiv z do 16 MyQ omogočenimi deli opreme. Na interni prehod sistema za brezžično odpiranje garažnih vrat lahko uparite do 10 naprav. Te naprave lahko nadzirate s programčkom MyQ. Te naprave vključujejo katero koli kombinacijo sistema za odpiranje garažni vrat MyQ, sistema brezžičnega odpiranja garažnih vrat MyQ in upravljalca vrat MyQ. Če morate nadzirati več kot 10 naprav s programčkom MyQ lahko dodate internetni prehod (Internet Gateway) LiftMaster (828EV). Na sam sistem odpiranja garažnih vrat lahko uparite do 6 naprav (ki jih nadzirate s sistemom za odpiranje garažnih vrat). Te naprave vključujejo katero koli kombinacijo luči MyQ ali garažnih vrat ali nadzora vrat.

### Potrebujete:

- pametni telefon, tablični računalnik ali prenosnik, ki ima brezžično povezavo
- širokopasovno internetno povezavo
- brezžični signal v garaži (zahtevana je povezava 2,4 Ghz, 802.11b/g/n)
- geslo za svoje domače omrežje (usmerjevalnikov glavni račun, je gostujoče omrežje)
- serijsko številko MyQ, ki je na sistemu za odpiranje garažnih vrat
- infrardeče fotocelice (opcijsko)
- LED lučka MyQ Remote, 827EV (je priložena)

### SINHRONIZACIJA NADZORA VRAT

Za sinhronizacijo krmilnika vrat 78EV s sistemom za odpiranje garažni vrat pritisnite potisni palico, dokler se ne aktivira sistem odpiranja garažnih vrat (lahko traja do 3 pritiske). Sistem za odpiranje garažnih vrat mora preteči celotni cikel, preden se bo aktiviralo brezžično programiranje.

### PRIKLOP SISTEMA ODPIRANJA GARAŽNIH VRAT NA SVOJE DOMAČE BREŽIČNO OMREŽJE

1. 3 krat pritisnite in spustite rumeni gumb PROGRAMIRANJE (L), ki je na sistemu za odpiranje garažni vrat. Sistem za odpiranje garažni vrat bo pisknil enkrat. Imate 20 minut časa, da končate postopek povezovanja.
2. Na svoji mobilni napravi podite na Nastavitve > Wi-Fi in izberite omrežje s predpono "MyQ-".
3. Na svojem pametnem telefonu ali tabličnem računalniku zaženite spletni brskalnik. V naslovno vrstico brskalnika vnesite: [setup.myqdevice.com](http://setup.myqdevice.com). Za priklop sistema za odpiranje garažnih vrat na brezžično omrežje sledite zahtevam na zaslonu. Na zaslonu se bo pokazala serijska številka MyQ. To serijsko številko vnesite v prostor pod njo.

4. Programček MyQ prenesite iz App Store® ali trgovine Google Play™. Prijavite se za svoj račun MyQ in dodajte svojemu računu serijsko številko MyQ.

TZa dodajanje drugega brezžičnega sistema odpiranja garažnih vrat ponovite korake 1-3. Svojemu računu v programčku MyQ dodajte še drugo serijsko številko MyQ.

*OPOMBE: Nadzor MyQ s pametnim telefonom NE BO DELOVAL, če sistem za odpiranje garažnih vrat deluje z baterijskim napajanjem. Za izbris brezžičnih nastavitev glejte stran 15.*

LED (A) na sistemu za odpiranje garažnih vrat bo označeval stanje brezžične povezave. Glej spodnjo tabelo

LED	DEFINICIJA
<b>MODRA</b>	Izklopljeno - brezžična povezava ni vklopljena. Ultripanje - sistem za odpiranje garažnih vrat je v načinu programiranja brezžične povezave. Sveti neprekinjeno - mobilna naprava je priključena na sistem za odpiranje garažnih vrat.
<b>MODRA IN ZELENA</b>	Ultripanje - poskus povezave z usmerjevalnikom.
<b>ZELENA</b>	Ultripanje - poskus povezave z internetnim strežnikom. Sveti neprekinjeno - brezžična povezava je nastavljena in sistem za odpiranje garažnih vrat je povezan z internetom.

## **25 Programirajte svoj sistem za odpiranje in daljinski upravljalnik / Gumb za brezžično upravljanje / Brezžična ključavnica (opcija)**

Sistem za odpiranje aktivirajte le, če imate pregled nad celotnimi vrati, če ni ovir in so vrata pravilno nastavljena. Med premikanjem vrat ne sme nihče vstopati ali zapuščati garaže. Otrokom ne dovolite, da bi upravljali gumba, ali daljinski upravljalnik. Otrokom ne dovolite, da bi se igrali v bližini vrat. Sprejemnik sistema za odpiranje vrat in eden od gumbov na daljinskem upravljalniku sta predprogramirana. Če boste kupili dodatne daljinske upravljalnike, morate sistem za odpiranje garažnih vrat programirati tako, da bo sprejel kodo novega daljinskega upravljalnika.

### **PROGRAMIRANJE SPREJEMNIKA ZA SPREJEM DODATNIH DALJINSKIH UPRAVLJALNIKOV: UPORABA RUMENEGA OKROGLEGA GUMBA**

1. Pritisnite in spustite rumeni gumb (L) na sistemu za odpiranje. 30 sekund bo svetila signalna lučka za programiranje.
2. V 30 sekundah pritisnite in držite pritisnjen gumb na ročnem daljinskem upravljalniku, za katerega želite, da bi z njim upravljali garažna vrata.
3. Spustite gumb, ko lučka sistema za odpiranje utripne enkrat. Koda je bila sprogramirana. Zdaj bo sistem za odpiranje deloval, če pritisnete na gumb daljinskega upravljalnika. Če spustite gumb za odpiranje preden bo utripnila lučka sistema za odpiranje, potem sistem za odpiranje ni sprogramiral koda.

### **VSTOP BREZ KLJUČAVNICE**

1. Pritisnite in spustite rumeni gumb (L) na sistemu za odpiranje. 30 sekund bo svetila signalna lučka za programiranje.
2. V ključavnico za vstop brez ključa vnesite 4-številčno osebno identifikacijsko številko (PIN) po izbiri.
3. Nato pritisnite gumb ENTER.
4. Luč sistema za odpiranje garažnih vrat bo utripnila (ali pa boste zaslišali dva klika), ko je bila koda programirana. Ponovite zgornje korake za programiranje dodatnih daljinskih upravljalnikov ali naprav za vstop brez ključa. Če programiranje ni uspešno, programirajte daljinski upravljalnik z gumbom za programiranje.

### **BRISANJE VSEH KOD DALJINSKIH UPRAVLJALNIKOV**

Za deaktiviranje vseh neželenih daljinskih upravljalnikov izbrišite najprej vse kode: pritisnite in držite pritisnjen rumeni okrogli gumb na sistemu odpiranja, dokler ne ugasne signalna lučka za programiranje (približno 10 sekund). Vse prejšnje kode so zdaj izbrisane. Ponovno programirajte vsak daljinski upravljalnik ali vstop brez ključa, ki ga želite uporabljati.

## **26 Programiranje LED lučke MyQ Remote**

Luč za osvetlitev sistema za odpiranje garažnih vrat je že programirana v tovarni za delovanje s sistemom odpiranja. Programirati je treba le dodatno ali nadomestno luč za osvetlitev.

### **PROGRAMIRANJE SISTEMA ZA ODPIRANJE VRAT NA LED LUČKO MYQ REMOTE:**

1. Pritisnite gumb PROGRAMIRANJE (L) na lučki, dokler ne zasveti zeleni LED.
2. Pritisnite gumb PROGRAMIRANJE (L) na sistemu za odpiranje vrat.
3. Koda je sprogramirana, ko lučka za daljinsko upravljanje utripne enkrat.

### **PROGRAMIRANJE DALJINSKEGA UPRAVLJALNIKA NA LED LUČKO MYQ REMOTE:**

1. Pritisnite gumb PROGRAMIRANJE (L) na lučki, dokler ne zasveti zeleni LED.
2. Pritisnite gumb na daljinskem upravljalniku za katerega želite, da upravlja luč.
3. Koda je sprogramirana, ko lučka za daljinsko upravljanje utripne enkrat.

Za programiranje luči z drugo opremo pogledjte v priročnik te opreme.

### **DODAJANJE LED LUČI MYQ REMOTE RAČUNU MYQ:**

1. Pritisnite gumb PROGRAMIRANJE (L) na lučki, dokler ne zasveti zeleni LED.
2. Prijavite se v programček MyQ in dodajte LED luč MyQ Remote.

### **BRISANJE VSEH PROGRAMIRANIH ELEMENTOV Z LED LUČI MYQ REMOTE:**

1. Pritisnite in držite pritisnjen gumb PROGRAMIRANJE (L) dokler LED ne ugasne (6-10 sekund). Vsi programirani elementi so izbrisani.



---

## 27 Brisanje pomnilnika

### BRISANJE VSEH SISTEMOV DALJINSKEGA UPRAVLJANJA IN VSTOPOV BREZ KLJUČA:

1. Pritisnite in držite pritisnjen gumb PROGRAMIRANJE (L) na sistemu za odpiranje garažnih vrat, dokler LED programiranja ne ugasne (približno 6 sekund). Vse kode daljinskega upravljanja in vstopa brez ključa so zdaj izbrisane. Znova programirajte vso opremo, ki jo želite uporabiti.

### BRISANJE VSEH NAPRAV (VKLJUČNO Z OMOGOČENO OPREMO MYQ):

1. Pritisnite in držite pritisnjen gumb PROGRAMIRANJE (L) na sistemu za odpiranje garažnih vrat, dokler LED programiranja ne ugasne (približno 6 sekund).
2. Znova pritisnite takoj in držite pritisnjen gumb PROGRAMIRANJE, dokler LED lučka ne ugasne. Vse kode so zdaj izbrisane. Znova programirajte vso opremo, ki jo želite uporabiti.

### BRISANJE BREZZIČNEGA OMREŽJA IZ SISTEMA ZA ODPIRANJE GARAŽNIH VRAT:

1. Pritisnite in držite črni gumb za nastavljanje (A) na sistemu za odpiranje garažnih vrat, dokler ne zaslišite 3 piskov (približno 6 sekund).

### BRISANJE RAČUNA MYQ:

Za izbris računa MyQ pojdite na [myliftmaster.eu](http://myliftmaster.eu).

---

## 28 Vzdrževanje in nega sistema za odpiranje garažnih vrat

### URNIK VZDRŽEVANJA

#### VSAK MESEC

- Ročno odprite vrata. Če niso uravnotežena ali se zatikajo pokličite usposobljenega tehnika za sisteme vrat.
- Preverite in se prepričajte, ali se vrat odprejo in zaprejo do konca. Če je treba nastavite meje (glejte točko 20 "Programiranje Premikanje").
- Ponovite test varnostnega premikanja v nasprotno smer. Opravite vse potrebne prilagoditve (glejte točko 21 "Testiranje sistema za varnostno premikanje v nasprotno smer").

#### VSAKO LETO

- Naoljite kolesca vrat, ležaje in šarnirje. Sistema za odpiranje garažnih vrat ni treba mazati dodatno. Ne nanašajte masti na timice vrat.

#### LED LUČ MYQ REMOTE

- Pred čiščenjem odklopite luč.
- Za čiščenje uporabite rahlo vlažno krpo.
- Pri svetlobni leči NE uporabljajte tekočih čistil

---

## 29 Zamenjava baterij daljinskega upravljalnika

### Baterija daljinskega upravljalnika:

Baterije daljinskega upravljalnika imajo izjemno dolgo življenjsko dobo. Baterije je treba zamenjati ko se zmanjša doseg prenosa. Garancija ne pokriva baterij.

#### Za baterije upoštevajte naslednja navodila:

baterij ni dovoljeno odvreči med gospodinjske smeti; vsi uporabniki so z zakonom zavezani, da baterije odstranijo med odpadke pravilno na namenjenih zbirnih točkah; nikoli ne polnite baterij, ki se ne polnijo.

#### Nevarnost eksplozije!

Baterij ne hranite v dosegu otrok, ne staknite jih na kratko in ne razstavljajte jih. Takoj obiščite zdravnika, če pogoltnete baterijo. Pred polnjenjem očistite stike na bateriji in napravi, če je treba. Iz naprave takoj odstranite izrabljene baterije!

#### Povečano tveganje iztekanja!

Baterij nikoli ne izpostavljajte preveliki vročini, kot je sončna svetloba, ogenj ali podobno!

Obstaja povečano tveganje iztekanja!

Izognite se stiku s kožo, očmi in sluznico. Takoj splaknite z veliko hladne vode dele telesa, ki so prišli v stik s kislino iz baterije in se posvetujte z zdravnikom. Uporabljajte le baterije iste vrste. Odstranite baterije, če naprave dalj časa ne boste uporabljali.

#### Zamenjava baterije:

Za zamenjavo baterije obrnite daljinski upravljalnik in z izvijačem odprite ohišje. Dvignite pokrov in dvignite ploščo za upravljanje pod njim. Potisnite baterijo na eno stran in jo odstranite. Upoštevajte pole baterije! Znova sestavite v obratnem zaporedju.

#### POZOR!

Če baterija ni zamenjana pravilno, obstaja nevarnost eksplozije. Zamenjajte jo le z baterijo iste vrste (CR2032) 3 V.

## 30 Odstranjevanje med odpadke

Embalazo morate odstraniti med odpake v krajevne zabojnike za reciklažo. V skladu z evropsko direktivo 2002/96/ES o odpadni električni opremi je treba to napravo odstraniti po uporabi med odpadke na pravilen način, da bi zagotovili reciklažo uporabljenih materialov.



Starih akumulatorjev in baterij ni dovoljeno odvreči med gospodinjski odpad, ker vsebujeta onesnaževalce okolja in jih je treba odstraniti med odpadke na zbirnih točkah v občini ali v zabojnike, ki jih zagotovi prodajalec. Upoštevati je treba tudi specifične predpise, veljavne v državi. Sestavne dele mora odstraniti med odpadke pravilno podjetje, ki je specializirano za odstranjevanje odpadkov. Tudi pri tem je treba spoštovati zadevne krajevne in državne specifične predpise. Vseh izrabljenih delov pogona ni dovoljeno odstraniti med gospodinjski odpad.

Pristojne oblasti (mesto, občina), ali komunalno podjetje bosta informirali o možnostih odstranjevanja odpadka te vrste.

## 31 Diagnostična tabela

Sistem za odpiranje vrat je programiran z zmožnostjo samodijagnoze.

Puščici GOR in DOL na sistemu za odpiranje garažnih vrat utripata in sporočata diagnostično kodo.

DIAGNOSTIČNA KODA		SIMPTOM	REŠITEV
Puščica gor Utripa	Puščica dol Utripa		
1	1	Sistem odpiranja garažnih vrat ne zapre vrat in luč utripa.	Infrardeče fotocelice so nameščene, niso pa priključene, ali pa je žica prekinjena. Preglejte žice senzorjev, ali niso odklopljene ali prekinjene.
1	2	Sistem odpiranja garažnih vrat ne zapre vrat in luč utripa.	Obstaja kratki stik ali vzvratni tek v žici infrardečih fotocelic. Preverite žice fotocelic na vseh stičnih in priključnih točkah in jo zamenjajte, ali popravite, kot je treba.
1	3	Upravljanje vrat ne deluje.	Žice upravljalnika vrat imajo kratki stik ali pa ima upravljalnik napako. Preverite žice upravljalnika vrat na vseh stičnih in priključnih točkah in jo zamenjajte, ali popravite, kot je treba.
1	4	Sistem odpiranja garažnih vrat ne zapre vrat in luč utripa.	Če so nameščene infrardeče fotocelice, potem niso poravnane ali so trenutno motene. Poravnajte oba senzorja, da bi zagotovili, da oba LED-a svetita stalno in ne utripata. Prepričajte se, da nič ne visi ali je montirano na vratih, kar bi lahko motilo pot senzorjev med zapiranjem.
1	5	Vrata se premaknejo za 15 20 cm in se ustavijo ali se začnejo premikati v drugo smer.	Ročno odprite in zaprite vrata. Preverite, ali se zatikajo ali ni ovir, kot so zlomljene vzmeti ali zapah vrat, popravite, kot je treba. Preverite povezavo z žicami na preničnem modulu in na logični plošči. Če je treba zamenjajte prečni modul.
1	5	Vrata se ne premikajo, slišati je le posamezni klik.	Ročno odprite in zaprite vrata. Preverite, ali se zatikajo ali ni ovir, kot so zlomljene vzmeti ali zapah vrat, popravite, kot je treba. Če je treba zamenjajte logično ploščo.
1	5	Sistem odpiranja brenči 1-2 sekundi, a se ne premakne	Ročno odprite in zaprite vrata. Preverite, ali se zatikajo ali ni ovir, kot so zlomljene vzmeti ali zapah vrat, popravite, kot je treba. Zamenjajte motor, če je treba.
1	6	Vrata nihajo po tem, ko so se popolnoma ustavile.	Programirajte premik do položaja nihanja ali naj vrata uravnoteži usposobljeni tehnik.
2	1-5	Ni premikanja ali zvoka.	Zamenjajte logično ploščo.
3	1	Sistem odpiranja garažnih vrat se nekoliko premakne in nato ustavi.	Znova aktivirajte sistem za odpiranje garažnih vrat. Če težave niste odpravili zamenjajte logično ploščo.
3	3	LED stanja baterije neprekinjeno utripa zeleno.	Napaka v tokokrogu polnjenja rezervne baterije, zamenjajte logično ploščo.
3	5	Sistem odpiranja garažnih vrat ne zapre vrata in/ali se med premikanjem obrne v nasprotno smer.	Če sta prvotno bila nameščena dva nadzora napetosti kabla in ste enega odstranili, tri krat odklopite in priključite v sistem za odpiranje vrat in nato znova programirajte nadzor s sistemom za odpiranje. <ul style="list-style-type: none"><li>• Preverite, ali obstaja morda ovira pri vratih in jo odstranite.</li><li>• Preverite, ali je nadzor napetosti kabla pravilno priključen na sistem za odpiranje.</li><li>• Zamenjajte nadzor napetosti kabla</li></ul>

DIAGNOSTIČNA KODA	SIMPTOM	REŠITEV	
Puščica gor Utripa	Puščica dol Utripa		
4	1-4	Vrata se premikajo, ustavijo in se premaknejo v nasprotno smer.	Ročno odprite in zaprite vrata. Preverite, ali se zatikajo ali ni ovir, kot so zlomljene vzmeti ali zapah vrat, popravite, kot je treba. Če se vrata zatikajo ali blokirajo pokličite usposobljenega tehnika za sisteme vrat. Če se vrata ne zatikajo ali blokirajo poskušajte reprogramirati premikanje.
4	5	Sistem odpiranja deluje približno do 15-20 cm, se ustavi in začne premikati v nasprotno smer.	Napaka v komunikaciji z modulom premikanja. Preverite povezave modula premikanja, zamenjajte modul, če je treba.
4	6	Sistem odpiranja garažnih vrat ne zapre vrat in luč utripa.	Infrardeče fotocelice niso poravnane ali so trenutno motene. Poravnajte oba senzorja, da bi zagotovili, da oba LED-a svetita stalno in ne utripata. Prepričajte se, da nič ne visi ali je montirano na vratih, kar bi lahko motilo pot senzorjev med zapiranjem.
5	5	Vrata se ne zapirajo ob uporabi merilnika časa za zapiranje ali upravljanja s pametnim telefonom MyQ.	Za uporabo TTC ali MyQ za upravljanje vrat mora biti nameščena LED luč MyQ Remote. Priklopite LED luč MyQ Remote in zagotovite, da je programirana s sistemom odpiranja garažnih vrat.

## 32 Odpravljanje težav

### Sistem za odpiranje garažnih vrat ne deluje niti z upravljanjem vrat, niti z daljinskim upravljalnikom:

- Je napajanje v sistemu za odpiranje garažnih vrat? V vtičnico vtaknite žarnico. Če žarnica ne zasveti, preverite varovalko v omarici ali varnostno stikalo. (Nekatere vtičnice se upravljajo s stenskim stikalom.)
- Ste onemogočili vse zapaha vrat? Preverite opozorila v navodilih za namestitve na strani 5.
- Je povezava z žicami pravilna?
- Je pod vrati nabran led ali sneg? Vrata so morda primrznila na tla. Odstranite oviro.
- Vzmet garažnih vrat je morda zlomljena. Zamenjajte jo (glejte točko 3 Načrtovanje).

### Sistem za odpiranje vrat se upravlja z le enim gumbom za upravljanje postaje, ne pa z daljinskega upravljalnika:

- Ponovno programirajte daljinski upravljalnik in zamenjajte baterijo, če je treba. Ponovite pri vseh daljinskih upravljalnikih.

### Vrata se odpirajo in zapirajo sama od sebe:

- Prepričajte se, ali so vsi gumbi na daljinskem upravljalniku izklopljeni.
- Odstranite žico zvonca s priključka enojnega gumba postaje za upravljanje in upravlajte le z daljinskim upravljalnikom. Če to ne reši težave, je pokvarjen enojni gumb, ali pa je prekinitev zaradi stika v žici. Zamenjajte postajo za upravljanje.
- Izbrisite spomin in ponovno programirajte vse daljinske upravljalnike (glejte navodila, ki so priložena daljinskemu upravljalniku ali pa obiščite LiftMaster.eu).

### Moj daljinski upravljalnik ne aktivira garažnih vrat:

- Preverite, ali funkcija zapaha ni aktivirana na upravljalniku vrat.
- Ponovno programirajte daljinski upravljalnik.
- Če daljinski upravljalnik še vedno ne aktivira vrat preverite diagnostične kode, da bi se prepričali, ali sistem za odpiranje garažnih vrat deluje pravilno.

### Daljinski upravljalnik ima kratek doseg:

- Spremenite položaj daljinskega upravljalnika v avtomobilu.
- Nekatere namestitve imajo krajši doseg zaradi kovinskih vrat, s folijo ovite izolacije ali kovinskih stranic garažni vrat.

### Vrata se ne odprejo do konca:

- Preverite zapah vrat.
- Ali karkoli ovira vrata? So vrata uravnotežena, ali je morda zlomljena vzmet? Odstranite oviro in popravite vrata.

### Vrata se odprejo, a se ne zaprejo:

- Preverite, ali je nadzor napetosti kabla pravilno nameščen. Če ste odstranili drugi nadzor napetosti kabla, sledite navodilom za ponovno programiranje enojnega nadzora napetosti kabla (glejte točko 14).
- Infrardeče fotocelice morajo biti priklopljene in pravilno poravnane še preden se bo sistem za odpiranje vrat premaknil v smeri zapiranja (navzdol). Če lahko zaprete vrata s stalnim pritiskom, preverite, ali so infrardeče fotocelice nameščene pravilno, poravnane in med njimi ni ovir.
- Če utripa luč sistema za odpiranje vrat, preverite infrardeče fotocelice.
- Če luč sistema za odpiranje vrat ne utripa in gre za novo namestitev (glejte točko 14). Za obstoječo namestitev glejte v nadaljevanje.

Ko je nastavitev končana ponovite test varnostnega premikanja v nasprotno smer.

#### **Vrata se premikajo v nasprotno smer brez očitnega razloga in luč sistema za odpiranje garažnih vrat utripa:**

- Preverite, ali je nadzor napetosti kabla pravilno nameščen. Le odstranite enega od nadzorov napetosti kabla, odklopite oba nadzora od sistema za odpiranje. Nato priklopite nadzor, ki ga želite uporabljati in odklopite ter priklopite sistem za odpiranje trikrat, da bi programirali nadzor na sistem odpiranja. Vgrajeni upor 1k je le za odpravljanje nastavitve CTM. V skladu z EN 12453 je treba nadzor napetosti kabla namestiti zaradi pravilnega zaznavanja ohlapnosti kabla.
- Ali karkoli ovira vrata? Povlecite ročaj za sprostitvev v silo. Vrata premikajte z roko. Če niso uravnotežena ali se zatikajo pokličite usposobljenega tehnika za sisteme vrat.
- Odstranite ves led ali sneg iz območja tal garaže, kjer se vrata zapirajo.
- Glejte točko 20.

Po nastavitvi ponovite test varnostnega premikanja v nasprotno smer.

#### **Moja vrata se ne zapirajo in luč utripa:**

Infrardeče fotocelice morajo biti priklopljene in pravilno poravnane še preden se bo sistem za odpiranje vrat garaže premaknil v smeri zapiranja (navzdol).

- Preverite, ali so infrardeče fotocelice pravilno nameščene, poravnane in med njimi ni ovir.

#### **Sistem za odpiranje vrat s težavo premika vrata:**

- Vrata morda niso uravnotežena, ali pa je vzmet zlomljena. Zaprite vrata in uporabite ročaj za sprostitvev v silo, da bi odklopili vrata. Ročno odprite in zaprite vrata. Pravilno uravnotežena vrata bodo obstala na kateri koli točki premikanja, če jih v celoti podpirajo lastne vzmeti. Če ne, odklopite sistem za odpiranje garažnih vrat in pokličite usposobljenega tehnika za sisteme vrat.

#### **Motor sistema za odpiranje garažnih vrat zabrenči na kratko, potem pa preneha delovati:**

- Vzmeti garažnih vrat so morda zlomljene. Glej zgoraj.
- Če se težava pojavi ob prvem delovanju sistema za odpiranje garažnih vrat, so vrata morda zapahnjena. Onemogočite električni zapah vrat.

#### **Sistem za odpiranje garažnih vrat ne bo deloval med napako zaradi napajanja:**

- Ročno odprite električni zapah vrat.
- Uporabite ročaj za sprostitvev v silo, da bi odklopili vrata. Vrat lahko odprete in zaprete z roko. Ko je napajanje obnovljeno, povlecite ročico za ročno sprostitvev še drugič.
- Onemogočite vse zapaha vrat. Uporabite ročaj za sprostitvev v silo, da bi odklopili vrata. Vrat lahko odprete in zaprete z roko.

#### **Vrata nimajo več meja:**

- Objemka ni zategnjena dovolj. Zategnite objemko in ponovno programirajte meje (glejte točko 20).

#### **Sistem za odpiranje garažnih vrat se premika, ko se vrata premikajo:**

- Manjša premikanja so običajna za ta izdelek. Če se premikajo preveč, se bo objemka predčasno obrabila.
- Preverite, ali se torzijska palica ne premika levo/desno premočno.
- Preverite, ali se torzijska palica ne premika med obračanjem gor in dol.
- Preverite, ali je sistem odpiranja montiran v pravilnem kotu do natičnega pogona. Če ni, premaknite položaj montažnega okvira.

#### **Priključek samodejnega zapaha vrat ne ustreza vtičnici sistema za odpiranje vrat:**

- Starejši modeli zapaha vrat 24V niso združljivi. Uporabite model samodejnega zapaha vrat 841EU, glejte stran Oprema.

#### **Samodejni zapah garažnih vrat se ne aktivira, ko se garažna vrata odpirajo ali zapirajo:**

- V načinu z rezervno baterijo, se bo samodejni zapah garažnih vrat odpahnil in garažna vrata so odprta in bodo ostala onemogočena, dokler je napajanje moteno.

#### **Sistem odpiranja vrat piska:**

- Označuje nehoteno zapiranje. Sistem odpiranja je bil aktiviran prek programčka MyQ ali nadzora garaže in vrat.
- Neprekinjeni oranžni LED bo piskal in se oglašal približno vsaki 2 sekundi ter označil, da deluje sistem za odpiranje vrat le z napajanjem prek baterije.
- Utripajoči oranžni LED bo piskal in se oglasil vsakih 30 sekund ter označil, da je napajanje baterije nizko.
- Neprekinjeni rdeči LED bo piskal in se oglasil vsakih 30 sekund ter označil, da baterija 12 V ne bo več zmogla napajanja in jo je treba zamenjati.

#### **Garažna vrata piskajo in rdeči LED utripa:**

Napolnjenost baterije je nizka, ali pa je baterija popolnoma izpraznjena.

- Zamenjajte baterije.

#### **Upravljanje s pametnim telefonom MyQ, brezžične naprave MyQ, in merilnik časa do zapiranja ne delujejo:**

- Ko je v načinu z rezervno baterijo, bodo upravljanje s pametnim telefonom MyQ, brezžične naprave MyQ in merilnik časa do zapiranja onemogočene.
- Za uporabo TTC ali upravljanja s pametnim telefonom MyQ za upravljanje vrat mora biti nameščena LED luč MyQ Remote. Priklopite LED luč MyQ Remote in zagotovite, da je programirana s sistemom odpiranja garažnih vrat. Da bi omogočili merilnik časa do zapiranja in upravljanje s pametnim telefonom MyQ lahko traja do 5 minut.

### 33 Izbirna dodatna oprema

Vedno uporabljajte opremo LiftMaster.

Zunanji izdelki lahko povzročajo napačno delovanje.

1.	TX4UNIF	4-kanalni univerzalni daljinski upravljalnik
2.	TX4EVS	4-kanalni daljinski upravljalnik
3.	TX4UNI/S	4-kanalni univerzalni daljinski upravljalnik
4.	128EV	Brezžični 2-kanalni stenski upravljalnik
5.	747EV	Ključavnica
6.	78EV	Večnamenski stenski upravljalnik z žično povezavo
7.	FLA-1LED	Ultrapajoča luč
8.	772E	Fotocelice
9.	100034	Stikalo na ključ (podometno)
10.	100041	Stikalo na ključ (nadometno)
11.	829EV	Nadzor garažnih vrat
12.	485EU	Rezervna baterija
13.	827EV	LED luč MyQ Remote:
14.	041A9264	Nadzor za napetost kabla
15.	841EU	Samodejni zapah vrat

### 34 Tehnični podatki

Vhodna napetost	230-240 V izmenične napetosti, 50 Hz
Maks. navor	36 Nm - izmenične napetosti + baterije 29 Nm - izmenične napetosti
Nominalni navor	10 Nm
Napajanje	150 W
Napajanje stanja pripravljenosti	2,6 W
Vrta motorja	Motor z gonilom na enosmerni tok s trajnim mazanjem
Raven hrupa	57 dB
Hitrost premikanja	21 vrtlj./min (dol), 36 vrtlj./min (gor)
Varnost osebja	Gumb in samodejna ustavitve v smeri navzdol. Gumb in samodejna ustavitve v smeri navzgor.
Elektronska	Samodejno nastavljanje sile
Električno	Zaščita preobremenjenosti transformatorja in ožičenje gumba za nizko napetost.
Meje naprave	Optično RPM/Detektor točke prehoda
Nastavitve meja	Elektronska, polavtomatsko in avtomatsko
Začetni tokokrog	Gumb tokokroga nizke napetosti
Najv. višina vrat	3 m
Najv. širina vrat	5,5 m
Najv. območje vrat	16,5 m <sup>2</sup>
Najv. utež vrat	130 kg
Viseča utež	11 kg
Register pomnilnika sprejemnika	64
Delovna frekvenca	433 / 868 MHz, 2,4 GHz

## 35 Varnostna navodila in navodila za vzdrževanje sistem samodejnega odpiranja vrat

### VARNOSTNA NAVODILA SISTEMA ODPIRANJA GARAŽNIH VRAT - SAMODEJNA ODLOČITEV

Garažna vrata so največji premikajoči se predmet doma. Nepravilno nastavljena garažna vrata in sistem odpiranja lahko povzročita smrtonosno silo, ko se vrata zapirajo - to pa lahko povzroči zagoditev otrok in odraslih, posledično pa hude poškodbe ali smrt.

Pravilna namestitvev, delovanje, vzdrževanje in testiranje garažnih vrat in samodejnega sistema odpiranja za obvezna, da bi zagotovili varno delovanje, brez težav. Nepredvidno delovanje ali omogočanje otrokom, da se igrajo z upravljalnikom odpiranja garažnih vrat, ali ga upravljajo, sta prav tako nevarni situaciji, ki lahko vodita do tragičnih rezultatov. Nekaj preprostih previdnostnih ukrepov lahko zaščitijo vašo družino in prijatelje pred morebitnimi nevarnostmi. Skrbno preverite varnostna navodila in nasvete za vzdrževanje, ki so v tej brošuri in jo shranite za poznejšo uporabo. Preverjajte delovanje svojih garažnih vrat in sistema odpiranja, da bi se preprečili, ali delujeta varno in brezhibno. Prepričajte se, ali ste prebrali vse pomembne varnostne informacije, ki ste jih našli v navodilih za uporabo sistema za odpiranje garažnih vrat, ker so njih podrobnosti in varnostni nasveti, ki so lahko tudi v tej brošuri.

### Sistem odpiranja garažnih vrat ni igrača

O garažnih vratih in varnosti sistema odpiranja se pogovorite s svojimi otroki. Razložite jim nevarnost, če se zagodijo pod vrata.



**Ne približajte se premikajočim se vratom.**



**Oddajnike in daljinske upravljalnike hranite izven dosega otrok.** Otrokom ne dovolite, da bi se igrali z oddajniki oz. drugimi daljinskimi upravljalniki, ali jih uporabljali.



**Gumb, montiran na steni, mora biti izven dosega otrok, najmanj 1,5 metra od najbližje stoječe površine in daleč od premikajočih se delov.** Gum montirajte in uporabljajte tam, kjer lahko jasno vidite zapirajoča se garažna vrata.



Ko uporabljate gumb, montiran na steni ali oddajnik, **nenehno glejte garažna vrata, dokler se ne zaprejo do konca.**

## 36 Rutinsko vzdrževanje lahko prepreči tragedije

Vsak mesec opravite kontrolni pregled in testirajte garažna vrata ter sistem odpiranja, kot del svoje redne rutine. Občasno preberite svoj priročnik za lastnike za vrata in sistem odpiranja. Če nimate priročnikov za lastnike, kontaktirajte s proizvajalci in zahtevajte kopijo za svoj specifični model. Poglejte številko svojega sistema za odpiranje garažnih vrat na hrbtni strani napajalne enote.



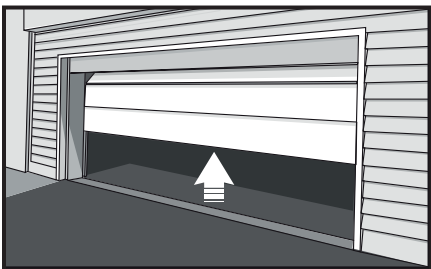
**OPOZORILO - vzmeti so pod veliko napetostjo!**  
Le kvalificirani posamezniki jih lahko nastavljajo.

### Kontrolni pregled vrat in namestitve:



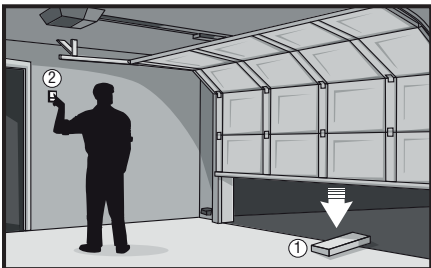
- Začnite z zaprtimi vrati, uporabite ročno odklop na sistemu za odpiranje, da bi odklopili vrata.
- Preverite znake staranja ali poškodbe na tečajih, kolescih, vzmeteh in ploščah vrat.
- Te dele bo morda treba občasno namazati. Preverite lastnikov priročnik glede predlaganega vzdrževanja.
- Če ugotovite znake poškodb, kontaktirajte glede pomoči z usposobljenim tehnikom za sisteme vrat.
- Preverite, ali oko fotocelice ni višje od 15 cm od tal garaže.

### Testiranje pravilnega delovanja vrat:



- Odprite in zaprite vrata z roko in uporabite ročaje ali primerne točke za prijem.
- Vrata bi se morala premikati prosto in brez težav.
- Vrata morajo biti uravnotežena in ostati delno odprta 1 m - 1,2 m nad tlemi.
- Če ugotovite znake nepravilnega delovanja, kontaktirajte glede pomoči z usposobljenim tehnikom za sisteme vrat.

### Test varnostnih funkcij sistema odpiranja:



- Z ročnim odklopom ponovno priključite sistem odpiranja na vrata ter odprite vrata.
- Namestite 40 mm visoko desko na pot vrat (1) in jih skušajte zapreti (2). Vrata bi se morala ustaviti ob stiku z desko in obrniti smer premikanja.
- Za mahanjem s predmetom pred senzorjem fotocelice blokirajte senzor fotocelice in skušajte zapreti vrata. Vrata se ne bi smela zapreti, razen, če med tem dejanjem ne držite pritisnjene gumba, montiranega na steni.
- Če sistem odpiranja ne deluje, kot je opisano, kontaktirajte glede pomoči z usposobljenim tehnikom za sisteme vrat.

## Nota:

Le istruzioni originali di installazione e d'uso sono state redatte in inglese.

Qualsiasi altra lingua disponibile è una traduzione dalla versione originale inglese

<b>1</b>	Avvertenze generali in materia di sicurezza.....	2
<b>2</b>	Utilizzo conforme alla destinazione d'uso.....	3
<b>3</b>	Pianificazione dell'automatismo del portone.....	3
<b>4</b>	Pianificare i comandi MyQ.....	4
<b>5</b>	Preparazione della porta del garage.....	4
<b>6</b>	Attrezzi necessari.....	4
<b>7</b>	Contenuto del cartone.....	5
<b>8</b>	Accessori necessari.....	5
<b>9</b>	Fissare la flangia a collare all'automatismo del garage.....	5
<b>10</b>	Fissare i cuscinetti di montaggio all'automatismo del garage.....	6
<b>11</b>	Posizionare e montare l'automatismo del garage.....	6
<b>12</b>	Fissare la fune e la maniglia di sblocco d'emergenza.....	6
<b>13</b>	Installazione della serratura automatica.....	6
<b>14</b>	Installazione del relè di monitoraggio della tensione del cavo (041A9264) (accessorio necessario).....	7
<b>15</b>	Installare la luce a LED MyQ (progettata unicamente per luoghi asciutti).....	7
<b>16</b>	Collegamento elettrico.....	8
<b>17</b>	Installazione delle fotocellule.....	8
<b>18</b>	Collegare la corrente elettrica.....	9
<b>19</b>	Installare la batteria tampone (accessorio optional).....	9
<b>20</b>	Programmare le posizioni di finecorsa.....	10
<b>21</b>	Testare il sistema di inversione di sicurezza.....	10
<b>22</b>	Per aprire la porta manualmente.....	11
<b>23</b>	Utilizzo dell'automatismo per garage.....	11
<b>24</b>	Collegamento al vostro smartphone.....	13
<b>25</b>	Programmare il vostro apriporta e telecomando / Il tasto wireless / Tastiera wireless (opzionale).....	14
<b>26</b>	Programmare la luce remota a LED MyQ.....	14
<b>27</b>	Per cancellare la memoria.....	15
<b>28</b>	Manutenzione del vostro apriporta per garage.....	15
<b>29</b>	Sostituire le batterie del telecomando.....	15
<b>30</b>	Smaltimento.....	16
<b>31</b>	Scheda diagnostica.....	16
<b>32</b>	Risoluzione dei problemi.....	17
<b>33</b>	Accessori optional.....	20
<b>34</b>	Dati tecnici.....	20
<b>35</b>	Guida alla sicurezza e alla manutenzione dell'automatismo per garage.....	21
<b>36</b>	La manutenzione ordinaria può prevenire tragedie.....	22



# ATTENZIONE!

## LEGGERE SUBITO QUESTE IMPORTANTI NORME DI SICUREZZA!

### 1 Avvertenze generali in materia di sicurezza

Prima di dare inizio al montaggio:

Si prega di leggere le istruzioni per l'uso e soprattutto le seguenti avvertenze in materia di sicurezza. Conservare le istruzioni per poterle sempre consultare e poterle consegnare a un eventuale proprietario successivo. Le avvertenze sono precedute dai seguenti simboli per evitare danni alle persone o alle cose. Si prega di leggere attentamente queste avvertenze.



#### ATTENZIONE

Danni alle persone o alle cose



#### ATTENZIONE

Pericolo dovuto a corrente elettrica o tensione

#### Importanti istruzioni di sicurezza

L'automatismo della porta è ovviamente stato predisposto e controllato per essere usato in sicurezza; detta sicurezza può tuttavia essere garantita solo se, in fase di installazione e di uso, vengono rispettate esattamente le avvertenze per la sicurezza di seguito riportate. L'installazione di questo prodotto deve essere eseguita soltanto da tecnici di portoni adeguatamente qualificati. Questo prodotto potrà richiedere la regolazione delle molle del portone e/o la configurazioni dei binari. Questo prodotto non è destinato all'uso su binari con basso ingombro sotto trave con tamburo di avvolgimento esterno o porte di garage con molle di trazione.

- L'installatore (specializzato) deve leggere attentamente e capire le presenti istruzioni prima di iniziare qualsiasi lavoro. Prima della prima messa in funzione e con cadenza minima annuale, uno specialista deve ispezionare le finestre, le porte e i cancelli automatici per verificare che siano in condizioni sicure. Sono specialisti coloro che, sulla base della loro preparazione ed esperienza tecnica, abbiano una conoscenza sufficiente nell'ambito di porte e di cancelli automatici e abbiano inoltre familiarità con le norme di sicurezza vigenti a livello locale e con gli standard tecnologici universalmente accettati in misura tale da essere altresì in grado di valutare la sicurezza delle condizioni operative di finestre, porte e cancelli automatici.
- L'installatore deve conoscere i seguenti standard: EN 13241, EN 12604, EN 12453. Lo specialista/esperto qualificato deve istruire l'operatore su quanto segue:
  - Il funzionamento del motore e i suoi pericoli
  - La gestione del meccanismo di sblocco manuale d'emergenza
  - La manutenzione, l'ispezione e la cura a intervalli regolari con i relativi compiti
  - L'operatore deve istruire gli altri utenti sui comandi del motore. Una volta eseguita con successo l'installazione del motore, il responsabile dell'installazione del motore, in ottemperanza alla Direttiva Macchine 2006/42/CE, deve rilasciare una dichiarazione di conformità CE per il cancello automatizzato, al quale dovrà essere applicato il marchio CE e una targhetta di matricola. Questo è obbligatorio anche in caso di automatizzazione di un cancello manuale. Dovranno inoltre essere compilati un verbale di collaudo e un registro delle ispezioni.
- La porta deve essere bilanciata. Le porte che non si muovono bene o sono bloccate devono essere riparate. Le porte dei garage, le molle dei portoni, i cavi, le rondelle, i supporti e le rolaie sono in tal caso sottoposti a estrema tensione, cosa che può comportare gravi lesioni. Non fare alcun tentativo di sbloccare, muovere o allineare la porta, ma rivolgersi a un servizio di manutenzione o a un tecnico specializzato in portoni.
- Durante l'installazione e/o la manutenzione di un automatismo per porte è vietato indossare gioielli, orologi o vestiti penzolanti.
- Per evitare gravi lesioni dovute a impigliamento, tutte le funi e le catene collegate alla porta devono essere smontate prima dell'installazione dell'automatismo.
- Per l'installazione e il collegamento elettrico si devono rispettare le norme vigenti a livello locale in materia di edilizia e di impianti elettrici.
- È necessario installare un relè di monitoraggio della tensione del cavo secondo EN12453.
- Per evitare danni a porte particolarmente leggere (per es. porte in fibra di vetro, in alluminio o in acciaio) occorre applicare un rinforzo adeguato. A questo scopo si prega di rivolgersi al produttore della porta.
- L'inversione di marcia automatica di sicurezza deve essere testata. La porta del garage DEVE invertire la marcia in caso di contatto con un ostacolo a pavimento dell'altezza di 40 mm. Una regolazione non corretta dell'automatismo della porta può comportare gravi lesioni fisiche causate dalla chiusura di una porta. Ripetere il test con cadenza mensile ed effettuare le eventuali modifiche necessarie.
- È vietata l'installazione di questo impianto in ambienti umidi o bagnati.
- Quando è in esercizio, la porta non deve in nessun caso ostacolare vie di pubblico passaggio.
- Per ricordare l'uso sicuro a tutti gli utenti, occorre montare vicino al tasto luminoso a muro il cartello di avvertenza a tutela dei bambini. I cartelli di avvertenza contro il pericolo di schiacciamento devono essere montati in modo ben visibile.
- I bambini dovrebbero essere sorvegliati per assicurarsi che non giochino con l'apparecchio. Non lasciar giocare i bambini vicino alla porta.
- Questo apparecchio non è destinato all'uso da parte di persone (bambini inclusi) con limitate capacità fisiche, sensoriali o mentali ovvero con scarsa esperienza e/o conoscenza, a meno che dette persone non siano sorvegliate da una persona responsabile della loro sicurezza o a meno che abbiano ricevuto istruzioni su come si debba usare l'apparecchio.
- Per evitare di danneggiare la porta si devono disattivare tutti i blocchi / i lucchetti presenti.
- I dispositivi di comando eventualmente installati DEVONO essere installati nel raggio di visuale della porta e fuori dalla portata dei bambini. Si deve impedire ai bambini di usare i tasti o i telecomandi. L'abuso dell'automatismo per porte può avere come conseguenza gravi lesioni.
- L'automatismo per porte deve essere usato SOLO se la persona che lo mette in moto ha una visuale completa dell'area della porta, se questa area è libera da ostacoli e se l'automatismo è impostato correttamente. Nessuno deve attraversare la porta fintantoché questo è in movimento. Si deve vietare ai bambini di giocare nelle vicinanze della porta.

- Usare lo sblocco manuale solo per staccare il carrello dal motore e – possibilmente – SOLO a porta chiusa. Non utilizzare la maniglia rossa per aprire o chiudere la porta.
- Prima di effettuare riparazioni o di rimuovere coperture, l'automatismo della porta va staccato dall'alimentazione di corrente elettrica. **Le riparazioni e installazioni elettriche devono essere eseguite unicamente da un elettricista autorizzato.**
- Questo prodotto dispone di un trasformatore con cavi speciali. In caso di danneggiamento, esso DEVE essere sostituito con un trasformatore originale da personale tecnico opportunamente qualificato.
- Azionando lo sblocco di emergenza si possono provocare movimenti della porta incontrollati se le molle sono deboli o rotte o se la porta non è in equilibrio.
- Montare la maniglia di sblocco per lo sblocco di emergenza a un'altezza minima di 1,8 m.
- Il temporizzatore Timer-to-Close (TTC), l'app MyQ per i comandi via smartphone e MyQ per il monitoraggio di porte di garage e cancelli sono esempi di chiusura senza sorveglianza e si devono usare SOLTANTO con porte sezionali. Qualsiasi dispositivo o funzione che faccia chiudere la porta senza vedere la porta è considerato una chiusura senza sorveglianza. Il temporizzatore Timer-to-Close (TTC), i comandi MyQ via smartphone e ogni altro dispositivo MyQ devono essere usati SOLTANTO con porte sezionali.
- L'azionatore non può essere attivato se la porta del garage dispone di una portina pedonale.

Le presenti istruzioni vanno conservate.

## 2 Utilizzo conforme alla destinazione d'uso

L'apparecchio è destinato all'apertura e alla chiusura di porte con barra di torsione e molle di torsione (si prega di fare riferimento alla sezione 3 "Progettazione"). L'apparecchio non è previsto per uso industriale ma esclusivamente per l'utilizzo su porte di garage privati, destinati e idonei a un singolo nucleo familiare. Qualsiasi utilizzo non conforme alla destinazione d'uso dell'automatismo comporta notevoli rischi di incidente. Il produttore declina ogni responsabilità per l'utilizzo non conforme alla destinazione d'uso. Si devono collegare al motore soltanto accessori originali di LiftMaster. Con questo motore, i cancelli automatici devono essere conformi agli standard alle direttive e alle norme attualmente vigenti a livello internazionale, nazionale e locale (EN 13241, EN 12453 e EN 12604).

## 3 Pianificazione dell'automatismo del portone

Ispezionate la vostra area per vedere se qualcuna delle condizioni di seguito riportate si applica alla vostra installazione. In base alle vostre esigenze potrà essere necessario procurarsi del materiale aggiuntivo.

L'AUTOMATISMO PER PORTA È COMPATIBILE CON:

- Porte che abbiano una barra di torsione e molle di torsione. La barra di torsione deve avere un diametro di 25,4 mm. NON compatibile con tamburi di avvolgimento inverso.
- Tamburi di avvolgimento da 80-120 mm, non utilizzare per tamburi conici oltre 120 mm.
- Porte sezione standard fino 3 m di altezza.
- Porte fino a 5,5 m di larghezza.
- Porte fino a 16,5 m<sup>2</sup>.

*Nota: osservate con attenzione la barra di torsione quando abbassate o alzate la porta. È importante che l'asse non abbia gioco verso l'alto, il basso, a sinistra o a destra. Se il gioco non viene eliminato, comporta gravi ripercussioni sulla durata dell'automatismo.*

Verificare il luogo previsto per l'installazione. Il motore può essere montato sulla destra o sulla sinistra della porta. Scegliere il lato che risponde ai requisiti di seguito esposti.

- Devono esserci almeno 6,4 cm tra il muro e il centro della barra di torsione.
- Devono esserci almeno 7,6 cm tra la copertura e il centro della barra di torsione.
- Devono esserci almeno 21,6 cm tra il muro laterale (o l'ostruzione) e la fine della barra di torsione.
- La barra di torsione deve poter uscire di almeno 3,81 cm lungo la piastra d'appoggio. Questa misura è variabile in base ai vostri requisiti di installazione.
- È necessaria una presa di corrente nel raggio di 1,83 m. Qualora non ci fosse, contattate un elettricista qualificato.

## 4 Pianificare i comandi MyQ

Questo automatismo ha la possibilità di essere comandato con MyQ, previa installazione di fotocellule. Monitorate e comandate la porta del vostro garage ovunque voi siate, con l'app MyQ.

### PRIMA DI INIZIARE:

Vi servono:

- uno smartphone, un tablet o un laptop abilitato al Wi-Fi,
- connessione a Internet a banda larga
- segnale Wi-Fi nel garage (requisiti: 2.4 Ghz, 802.11b/g/n)
- password della vostra rete domestica (account principale del router, non rete ospite)

### VERIFICARE LA POTENZA DEL SEGNALE WI-FI

Assicuratevi che il vostro dispositivo mobile sia connesso alla rete Wi-Fi. Mettete il vostro dispositivo mobile nel posto in cui verrà installato l'automatismo per il vostro garage e verificate la potenza del segnale Wi-Fi.

Il segnale Wi-Fi è forte.

L'automatismo del garage si collegherà alla vostra rete Wi-Fi.

Il segnale Wi-Fi è debole.

È possibile che l'automatismo del garage si colleghi alla vostra rete Wi-Fi. In caso contrario, provate una delle opzioni qui di seguito esposte per migliorare il segnale Wi-Fi:

Il segnale Wi-Fi è assente.

L'automatismo del garage non potrà collegarsi alla vostra rete Wi-Fi. Provate una delle opzioni qui di seguito esposte per migliorare il segnale Wi-Fi:

- Avvicinate il router all'automatismo del garage per minimizzare l'interferenza di muri e altri oggetti
- Acquistate un amplificatore di segnale Wi-Fi

## 5 Preparazione della porta del garage



**ATTENZIONE:** Chiamare SEMPRE un tecnico specializzato in porte se la vostra porta si piega, si muove a singhiozzo o non è bilanciata. Una porta non bilanciata potrebbe NON invertire il senso di marcia quando necessario. Non cercare MAI di allentare, di muovere o di spostare le molle della porta, i cavi, le pulegge, i cuscinetti o le loro piccole parti. TUTTI questi componenti sono sotto estrema tensione. Disattivare TUTTE le

chiusure e rimuovere TUTTE le funi che sono legate alla porta prima di installare o di mettere in funzione il motore della porta, per evitare il rischio di rimanere impigliati. Questo automatismo è dotato di funzione comandi senza sorveglianza. La porta potrebbe muoversi inaspettatamente. È VIETATO ATTRAVERSARE LA TRAIETTORIA DELLA PORTA IN MOVIMENTO.

### PRIMA DI INIZIARE:

- Disattivare le chiusure.
- Rimuovere tutte le funi che sono legate alla porta garage.

Eseguire il seguente test per appurare che la porta del garage sia bilanciata e non si muova a singhiozzo o si pieghi:

- Sollevare la porta a mezza altezza e rilasciarla. Se è bilanciata dovrà rimanere sollevata, interamente sostenuta dalle sue molle.
- Alzare e abbassare la porta per verificare che non si pieghi né si muova a singhiozzo.
- Le porte con un peso maggiore di 130 kg NON devono aprirsi o scendere rapidamente.

Chiamare un tecnico specializzato in porte se la vostra porta si piega, si muove a singhiozzo o non è bilanciata.

## 6 Attrezzi necessari

Durante il montaggio, l'installazione e la regolazione saranno necessari gli attrezzi mostrati in figura.

- |                      |                                     |
|----------------------|-------------------------------------|
| 1. Scala a pioli     | 7. Cacciavite                       |
| 2. Trapano           | 8. Livella                          |
| 3. Flessometro       | 9. Martello a granchio              |
| 4. Tagliafili        | 10. Chiave a bussola con estensioni |
| 5. Pinze             | 11. Chiave regolabile               |
| 6. Punte per trapano | 12. Matita                          |

## Contenuto del cartone

Se manca qualcosa, controllare con attenzione il materiale di imballaggio.

AUTOMATISMO GARAGE		SACCHETTO MINUTERIA		
1.	Automatismo garage, LM3800W	1x	11. Vite 15 mm	2x
2.	Serratura automatica garage, 841EU	1x	12. Vite 54,8 mm	4x
3.	Cuscinetto di montaggio	1x	13. Maniglia	1x
4.	Flangia a collare con viti di fissaggio	1x	14. Fune	1x
5.	Etichette di sicurezza	1x	15. Vite 15 mm	2x
6.	Telecomando a 4 tasti, TX4EVF	2x	16. Tassello di ancoraggio (a vite) 36.8 mm	4x
7.	Luce remota a LED MyQ, 827EV	1x	17. Vite 22 mm	2x
8.	Manuale			
MINUTERIA LUCE REMOTA				
9.	Tassello di ancoraggio (a vite) 42 mm	2x		
10.	Vite 27,85 mm	2x		

## 8 Accessori necessari

Relè di monitoraggio tensione cavo 041A9264.

Fotocellule a infrarossi (per comandi con MyQ: 771EV o 772E o 771EVK o G770E).

## 9 Fissare la flangia a collare all'automatismo del garage

*Per evitare difficoltà di installazione, accendere il motore soltanto quando richiesto dalle istruzioni.*

L'automatismo per garage può essere installato su entrambi i lati della porta (vedere la sezione Pianificazione). Le illustrazioni per l'installazione sono sul foglio delle illustrazioni.

1. Allentare le viti di fissaggio.
2. Fissare la flangia a collare all'albero del motore dell'automatismo per garage. Il lato della flangia a collare con il foro più largo dovrà essere collocato sull'albero del motore.
3. Assicurarsi che la flangia a collare poggi completamente sull'albero del motore fino a raggiungere lo stop.
4. Posizionare la flangia in modo tale che le viti siano rivolte verso l'alto e siano accessibili quando sono fissate alla barra di torsione. Serrare le 2 viti di fissaggio a testa quadra all'albero del motore stringendo le viti di 1/4 di giro - 1/2 giro dopo aver fatto contatto con l'albero del motore.

## 10 Fissare i cuscinetti di montaggio all'automatismo del garage



1. Montare il cuscinetto di montaggio con le viti fornite in dotazione, con la parte munita di fessura lenta dallo stesso lato della flangia (11).

*Nota: serrare le viti soltanto quando richiesto dalle istruzioni.*

## 11 Posizionare e montare l'automatismo del garage



Si DEVONO usare tasselli in cemento se il cuscinetto viene montato nel muro. Non cercare MAI di allentare, di muovere o di spostare le molle della porta, i cavi, le pulegge, i cuscinetti o le loro piccole parti. TUTTI questi componenti sono sotto estrema tensione. Chiamare SEMPRE un tecnico specializzato in porte se la vostra porta si piega, si muove a singhiozzo o non è bilanciata. Una porta non bilanciata potrebbe NON invertire il senso di marcia quando necessario. L'automatismo del garage DEVE essere montato ad angolo retto rispetto alla barra di torsione per evitare l'usura precoce della flangia a collare. Considerare i requisiti in loco.

*Nota: per opzioni di montaggio aggiuntive fare riferimento alla pagina degli accessori.*

1. Chiudere completamente la porta.
2. Spingere il motore con la flangia oltre l'estremità della barra di torsione. Accertarsi che la flangia NON tocchi la piastra di appoggio.
3. Usare una livella per posizionare e allineare verticalmente l'automatismo del garage. Verificare che sia possibile montare il cuscinetto di montaggio su una superficie solida come legno, cemento o su un supporto. Per l'installazione su muratura, il cuscinetto di montaggio DEVE essere fissato a un montante.
4. Quando l'automatismo del garage è allineato correttamente, marcare i fori del cuscinetto. Se necessario, stringere le viti della flangia a collare sulla barra di torsione per tenere fermo l'automatismo del garage mentre si fanno i fori. NOTA: l'automatismo del garage non deve essere a filo della parete.
5. Rimuovere l'automatismo del garage dalla barra di torsione. Praticare nei punti segnati dei fori di guida di 5 mm. Se necessario, forare la placca d'acciaio.
6. Inserire nuovamente l'automatismo del garage, tirando la flangia lungo la barra di torsione fino a quando non è allineata con i fori.
7. Serrare le 2 viti di fissaggio a testa quadra sulla barra di torsione. Per una barra di torsione cava, serrare le viti con 3/4 di giro - 1 giro completo dopo aver fatto contatto con la barra. Per una barra di torsione piena, serrare le viti di 1/4 di giro - non più di 1/2 giro dopo aver fatto contatto con l'albero. Per l'installazione su una barra di torsione con chiave, NON serrare le viti all'interno della feritoia per la chiave.
8. Fissare il cuscinetto di montaggio al muro e all'automatismo del garage. Usare le viti (12) per fissare il cuscinetto di montaggio al muro.

## 12 Fissare la fune e la maniglia di sblocco d'emergenza



Usare se possibile la maniglia di sblocco d'emergenza per sbloccare la porta SOLO quando la porta del garage è CHIUSA.

Molle deboli o rotte o una porta non bilanciata possono essere causa, in caso di porta aperta, di una caduta rapida e/o improvvisa. MAI usare la maniglia di sblocco d'emergenza se sulla soglia di ingresso del garage ci sono persone o ostacoli.

1. Infilare un'estremità della fune nel foro superiore della maniglia, in modo tale che "NOTICE" sia ben leggibile. Fare un nodo a circa 2,5 cm dall'estremità della fune per evitare che la maniglia scivoli.
2. Infilare l'altra estremità della fune nell'apertura presente nel cavo di sblocco di emergenza. Regolare la lunghezza della fune in modo tale che la maniglia sia raggiungibile ma rimanga almeno a 1,83 m di altezza dal suolo, evitando il contatto con veicoli per impedire lo sblocco accidentale, e fissare con un nodo.

*Nota: se si deve tagliare la fune, sigillare a fuoco con un accendino o un fiammifero che evitate che si sfilacci.*

## 13 Installazione della serratura automatica

La serratura automatica (modello 841EU) serve a impedire che una porta chiusa possa essere sollevata manualmente.

*Nota: i vecchi modelli di serratura a 24 V non sono compatibili.*

1. La serratura deve essere montata possibilmente entro un raggio di 3,05 m dall'automatismo del garage, dallo stesso lato.
2. Accertarsi che la superficie del binario della porta sia pulita e fissare la dima della serratura al binario in modo tale che il foro per il dado sia a circa 7,6 cm dal centro di un rullo della porta.
3. Praticare i fori come segnati sulla dima.
4. Avvitare la serratura elettrica sulla parte esterna del binario della porta con le viti fornite in dotazione.
5. Posare il cavo del campanello sull'automatismo. Usare graffe isolanti (optional) per fissare il filo in più punti lungo il muro. Far passare il cavo dal fondo dell'automatismo.
6. Inserire la spina nella presa dell'automatismo. Una serratura secondaria (841EU) potrà essere installata sul lato opposto della porta seguendo le istruzioni sopra esposte.

## TESTARE LA SERRATURA AUTOMATICA

1. Con la porta completamente chiusa, il catenaccio della serratura automatica (B) dovrebbe sporgere dalla guida.
2. Azionare la porta nella direzione di sollevamento. La serratura automatica (A) dovrebbe ritirarsi prima che la porta si metta in movimento.
3. Azionare la porta nella direzione di abbassamento. Non appena la porta si sarà chiusa completamente, la serratura automatica dovrebbe attivarsi automaticamente per bloccare la porta.

*Nota: nel caso in cui la serratura automatica non funzionasse, questa potrà essere rimossa a mano, spingendo la maniglia di sblocco di emergenza (C) in posizione aperta.*

## 14 Installazione del relè di monitoraggio della tensione del cavo (041A9264) (accessorio necessario)

Il relè di monitoraggio della tensione del cavo DEVE essere collegato e installato correttamente prima che l'automatismo della porta si muova in direzione di chiusura. Il relè di monitoraggio della tensione del cavo rileva OGNI allentamento presente nei cavi e fa invertire il senso di marcia della porta, eliminando le chiamate all'assistenza. L'installazione del relè di monitoraggio della tensione del cavo è necessaria secondo EN12453

*Nota: il relè di monitoraggio della tensione del cavo viene fornito per l'installazione a sinistra. Per l'installazione sulla destra, rimuovere l'anello elastico che tiene fermo il rullo e rimontarlo sul lato opposto del relè di monitoraggio della tensione del cavo.*

1. Assicurarsi che il cavo della porta sia a circa 19 mm dalla superficie di montaggio. Possono essere necessari regolazioni della porta o spessoramenti per raggiungere un'adeguata profondità per il cavo della porta.
2. Posizionare il relè di monitoraggio della tensione del cavo in modo tale che il rullo sia a 5-15 cm dal tamburo e il rullo sporga di 3-6 mm oltre il cavo. Assicurarsi che il relè di monitoraggio della tensione del cavo sia collocato su un elemento di supporto in legno e che il rullo sia libero da qualsiasi ostruzione.

*NOTA: nell'area di installazione non devono esserci ostacoli che impediscano al relè di monitoraggio della tensione del cavo di chiudersi completamente quando viene rilevato un allentamento.*

3. Segnare e praticare fori di guida di 5 mm per le viti (questi fori di guida non servono per i tasselli).
4. Fissare al muro il relè di monitoraggio della tensione del cavo utilizzando la minuteria fornita in dotazione. Assicurarsi che il rullo sia al di sopra del cavo.
5. Posare il cavo del campanello sull'automatismo. Usare graffe isolanti per fissare il filo.
6. Collegare il filo del campanello ai morsetti verdi a connessione rapida (10 + 11) sull'automatismo (non è importante la polarità).

*Nota: il cavo deve essere sotto tensione lungo l'intera corsa della porta. Assicurarsi che non ci siano allentamenti del cavo sul lato opposto della porta durante il normale esercizio. Se si verificano allentamenti durante la corsa della porta, regolare i cavi come richiesto.*

Quando sono installati due relè di monitoraggio della tensione del cavo, la porta non si muoverà nella direzione di chiusura né invertirà la marcia se uno dei relè di monitoraggio rileva un allentamento o è scollegato.

## TESTARE IL RELÈ DI MONITRAGGIO DELLA TENSIONE DEL CAVO

1. Con la porta completamente chiusa, spingere sulla parte frontale del relè di monitoraggio della tensione del cavo. Si dovrà sentire uno scatto. Se non si sente uno scatto, può darsi che il rullo colpisca lo stipite della porta e non permetta all'interruttore di rilevare allentamenti del cavo. Assicurarsi che il relè di monitoraggio della tensione del cavo sia montato a filo del muro e il rullo sia libero da qualsiasi ostacolo.

Il resistore 1k fornito è solo per la risoluzione dei problemi delle impostazioni CTM. Secondo la norma EN12453, deve essere installato il relè di monitoraggio della tensione del cavo per rilevare correttamente la condizione di allentamento del cavo.

Seil vostro RELÈ DI MONITRAGGIO DELLA TENSIONE DEL CAVO si è attivato, le frecce SU e GIÙ lampeggeranno con codice di diagnosi 3-5.

## 15 Installare la luce a LED MyQ (progettata unicamente per luoghi asciutti)

La luce a LED remota MyQ è progettata per essere collegata direttamente a una presa di corrente standard da 230V. Scegliere una collocazione adeguata a soffitto o a parete per montare la luce in un raggio di 1,83 m da una presa di corrente, in modo tale che il cavo e la luce siano lontani da parti in movimento. L'installazione della luce a LED remota MyQ è necessaria per permettere il funzionamento di MyQ e del temporizzatore Timer-to-Close (TTC).

*Nota: se la luce viene installata su muratura e non si riesce a individuare un travetto sul soffitto, usare i tasselli da muro forniti in dotazione. I tasselli da muro non richiedono fori di guida.*

1. Praticare dei fori di guida a distanza di 15,6 cm l'uno dall'altro in caso di montaggio a un travetto.  
OPPURE  
avvitare tasselli da muro a distanza di 15,6 cm l'uno dall'altro in caso di montaggio a muro.
2. Determinare la lunghezza del cavo elettrico necessaria a raggiungere la presa di corrente più vicina. Avvolgere il cavo in eccesso sull'avvolgicavo presente in cima alla base della luce. Far passare il filo nella canalina in modo che la luce sia montata a filo.
3. Aprire la lente della luce.
4. Montare la luce con le viti fornite in dotazione (9+10).
5. Chiudere la lente della luce.
6. Collegare la luce alla presa di corrente

**Nota:** la luce a LED è molto forte. **NON guardare la luce quando si è sulla scala a pioli.**

La luce remota del vostro automatismo per garage è già stata programmata di fabbrica per funzionare con l'automatismo. Qualsiasi luce remota aggiuntiva o sostitutiva dovrà essere programmata.

## 16 Collegamento elettrico



Al fine di evitare lesioni personali e danni al dispositivo, l'automatismo dovrà essere messo in funzione solo laddove ciò sia espressamente richiesto dalle istruzioni del presente manuale. Il connettore deve essere sempre accessibile per poter scollegare l'alimentazione di corrente. Le installazioni elettriche devono essere eseguite unicamente da un elettricista autorizzato.

## 17 Installazione delle fotocellule

### INFORMAZIONI IMPORTANTI SULLE FOTOCELLULE A INFRAROSSI

Le istruzioni di installazione sono incluse nella fornitura delle fotocellule a infrarossi e devono essere seguite. **Le fotocellule assicurano che la porta sia aperta o rimanga aperta quando nel vano della porta ci sono persone, specialmente bambini.** Se collegato e allineato correttamente, il sensore delle fotocellule a infrarossi rileva gli ostacoli nella traiettoria del suo raggio elettronico. Il sensore trasmettitore trasmette un raggio invisibile al sensore ricevitore. Se un ostacolo interrompe il raggio luminoso durante la chiusura della porta, la porta si ferma e inverte la sua corsa portandosi in posizione di apertura completa, e le luci dell'automatismo lampeggiano 10 volte.

Per usufruire della funzione MyQ o TTC i sensori devono essere installati nel garage in modo tale che i sensori trasmettitore e ricevitore siano affacciati da una parte all'altra della porta, a non più di 10 cm di altezza dal pavimento. Ogni sensore può essere installato a sinistra o a destra della porta, purché il sole non batta direttamente sulla lente del sensore ricevitore. La traiettoria del raggio luminoso invisibile deve essere libera da ostacoli. Nessuna parte dell'automatismo per garage (binari della porta, molle, cerniere, rulli o altra ferramenta) deve interrompere il raggio durante la chiusura della porta.

**Nota:** Liftmaster raccomanda di installare fotocellule a infrarossi su ogni installazione. Per l'uso delle funzioni MyQ o TTC è indispensabile installare la fotocellula a infrarossi.

### CABLARE LE FOTOCELLULE A INFRAROSSI

1. Portare il cavo dai due sensori all'automatismo del garage. Fissare il cavo al muro con le graffette.
2. Togliere 11 mm di isolante da ogni set di fili. Separare i fili. Attorcigliare insieme i fili bianchi. Attorcigliare insieme i fili bianco e nero.
3. Inserire i fili bianchi nel terminale bianco sull'automatismo del garage. Inserire i fili bianco e nero nel terminale grigio sull'automatismo del garage. Per inserire o rimuovere i fili dal terminale, spingere la linguetta all'interno con la punta di un cacciavite.

### ASSICURARSI CHE LE FOTOCELLULE A INFRAROSSI SIANO ALLINEATE

La porta non si chiuderà se i sensori non sono stati installati e allineati correttamente.

Quando il raggio luminoso è ostruito o disallineato mentre la porta si sta chiudendo, la porta inverte la sua marcia e le luci dell'automatismo del garage lampeggeranno dieci volte. Se la porta è già aperta, non si chiuderà. I sensori si possono allineare allentando i dadi a farfalla, allineando i sensori e serrando i dadi a farfalla.

1. Verificare che i LED di entrambi i sensori siano accesi con luce fissa. I LED di entrambi i sensori sono accesi con luce fissa se sono allineati e cablati correttamente.

### TESTARE LA FOTOCELLULA A INFRAROSSI

1. Aprire la porta. Collocare un ostacolo sulla traiettoria della porta.
2. Premere il bottone sul telecomando per chiudere la porta. La porta non si muoverà di oltre 2,5 cm, e le luci dell'automatismo del garage lampeggeranno 10 volte.

L'automatismo del garage non si chiuderà con un telecomando se il LED di entrambe le fotocellule è spento (per avvisarvi del fatto che il sensore è disallineato o ostruito). Se l'automatismo del garage chiude la porta quando le fotocellule a infrarossi sono ostruite (e i sensori sono a non più di 10 cm di altezza dal pavimento), chiamare un tecnico specializzato in portoni.

## 18 Collegare la corrente elettrica

Per evitare difficoltà di installazione, non collegare né accendere ancora il motore a questo punto.

Per minimizzare il rischio di scossa elettrica, il vostro automatismo per garage è dotato di una spina con messa a terra. Questa spina va bene solo su prese Schuko. Qualora presa e spina non fossero compatibili nel vostro caso, incaricare un elettricista di montare la presa adatta.

C'è una sola opzione per collegare la corrente:

**NORMALE CABLAGGIO**

Collegare l'automatismo del garage a una presa munita di messa a terra.

## 19 Installare la batteria tampone (accessorio optional)



Per ridurre il rischio di INCENDIO o di LESIONI alle persone, scollegare TUTTE le alimentazioni di corrente e le batterie PRIMA di eseguire QUALSIASI intervento di assistenza o manutenzione. Usare SOLTANTO il ricambio 485EU LiftMaster per sostituire la batteria. **NON smaltire la batteria nel fuoco. La batteria potrebbe esplodere. Verificare le norme locali per lo smaltimento.**

Quando si è in modalità batteria tampone, i comandi MyQ via smartphone e i dispositivi wireless MyQ sono disabilitati.

In modalità batteria tampone, la serratura automatica del garage si blocca quando la porta del garage è aperta e rimane disabilitata fino al ripristino dell'alimentazione a corrente elettrica.

1. Scollegare l'automatismo del garage.
2. Usare un cacciavite per rimuovere il coperchio della batteria sull'automatismo del garage.
3. Inserire parzialmente la batteria nel vano batteria con i terminali rivolti verso l'esterno.
4. Collegare i fili rosso (+) e nero (-) dell'automatismo del garage al terminale corrispondente della batteria.
5. Ricollocare il coperchio della batteria.
6. Collegare l'automatismo del garage.

### LED DI STATO DELLA BATTERIA (B)

#### LED VERDE:

Tutti i sistemi sono normali.

- Un LED verde a luce fissa indica che la carica della batteria è completa.
- Un LED verde a luce intermittente indica che la batteria è in fase di

#### LED ARANCIONE:

L'automatismo del garage è rimasto senza alimentazione di corrente ed è in modalità batteria tampone.

- Un LED arancione a luce fissa emette un segnale acustico all'incirca ogni 2 secondi per indicare che l'automatismo del garage sta funzionando a batteria.
- Un LED arancione a luce intermittente emette un segnale acustico ogni 30 secondi per indicare che la carica della batteria è bassa.

#### LED ROSSO:

La batteria da 12V dell'automatismo del garage va sostituita.

- Un LED rosso a luce fissa emette un segnale acustico ogni 30 secondi per indicare che la batteria da 12V non tiene più la carica e deve essere sostituita. Sostituire la batteria tampone per mantenere la funzione tampone della batteria.

*Nota: non è necessario che la batteria sia completamente carica per far funzionare l'automatismo del garage.*



## 20 Programmare le posizioni di finecorsa



Una regolazione non corretta delle posizioni di finecorsa della porta del garage potrebbe influire sul corretto funzionamento o sul sistema di sicurezza di inversione del moto. Dopo OGNI regolazione è necessario verificare il corretto funzionamento del sistema di sicurezza di inversione del moto. La porta DEVE invertire il proprio movimento non appena viene a contatto con un oggetto alto 40 mm sul pavimento. Per evitare danni ai veicoli, verificare che con la porta completamente aperta ci sia lo spazio sufficiente per passare con il veicolo.

Le posizioni di fine corsa regolano i punti su cui la porta si arresta nel movimento di sollevamento o abbassamento. In fase di programmazione si possono usare i tasti SU e GIÙ per muovere la porta secondo necessità.

1. Tenere premuto il tasto di regolazione (A) fino a quando il tasto SU (U) inizia a lampeggiare e/o si sente un segnale acustico.
2. Tenere premuto il tasto SU (U) fino a quando la porta è nella posizione di sollevamento desiderata.
3. Quando la porta è nella posizione di sollevamento desiderata, premere e quindi rilasciare il tasto di regolazione (A). Le luci dell'automatismo del garage lampeggiano due volte e il tasto GIÙ (D) comincia a lampeggiare.
4. Tenere premuto il tasto GIÙ (D) fino a quando la porta è nella posizione di abbassamento desiderata.
5. Quando la porta è nella posizione di abbassamento desiderata, premere e quindi rilasciare il tasto di regolazione (A). Le luci dell'automatismo del garage lampeggiano due volte e il tasto SU (U) comincia a lampeggiare.
6. Premere e quindi rilasciare il tasto SU (U). Quando la porta si sposta nella posizione SU programmata, il tasto GIÙ (D) comincia a lampeggiare.
7. Premere e quindi rilasciare il tasto GIÙ (D). La porta si sposta nella posizione GIÙ programmata. La programmazione è stata completata.

Se le luci dell'automatismo del garage lampeggiano 5 volte durante i passaggi per programmare le posizioni di finecorsa, il tempo per la programmazione è scaduto. Se il relè di monitoraggio della tensione del cavo non è installato o sta rilevando troppo allentamento del cavo, la luce dell'automatismo del garage lampeggia 5 volte. Assicurarsi che il relè di monitoraggio della tensione del cavo sia installato correttamente, quindi seguire i passaggi per programmare le posizioni di finecorsa. Se le luci dell'automatismo del garage lampeggiano 10 volte durante i passaggi per programmare le posizioni di finecorsa, le fotocellule a infrarossi sono disallineate o ostruite. Quando i sensori sono disallineati e ostruiti, far fare alla porta un ciclo completo di sollevamento e abbassamento con il telecomando o con i tasti SU e GIÙ. La programmazione è stata completata. Se non si riesce a far salire e scendere la porta, ripetere i passaggi per programmare le posizioni di finecorsa.

## 21 Testare il sistema di inversione di sicurezza



Senza un sistema di inversione di sicurezza correttamente installato, le persone (in particolare i bambini piccoli) potrebbero subire LESIONI GRAVI o LETALI a causa della chiusura della porta del garage. Il sistema di sicurezza di inversione di moto deve essere sottoposto a controllo con cadenza mensile. Dopo OGNI regolazione è necessario verificare il corretto funzionamento del sistema di sicurezza di inversione del moto. La porta, a contatto con un oggetto dello spessore di 40 mm, deve invertire il proprio moto.

### TEST

1. Con la porta completamente aperta, collocare un asse spesso 40 mm sul pavimento, al di sotto della porta del garage.
2. Premere il bottone del telecomando per chiudere la porta. La porta DEVE invertire il proprio moto non appena raggiunge l'ostacolo.

### REGOLAZIONE

Se la porta si blocca ma non inverte il proprio moto:

3. Rivedere le istruzioni di installazione fornite, per appurare di aver seguito tutti i passaggi;
4. Ripetere la programmazione delle posizioni di finecorsa (vedere il passaggio 1 della regolazione "Punto 20");
5. Ripetere il test di inversione di sicurezza.

Se il test continua a non andare a buon fine, chiamare un tecnico specializzato in portoni.

### VERIFICA IMPORTANTE PER LA SICUREZZA:

Testare il sistema di inversione di sicurezza dopo:

- ogni regolazione delle posizioni di finecorsa.
- ogni riparazione o regolazione della porta (incluse molle e ferramenta).
- ogni cedimento del suolo con relativa riparazione.
- ogni riparazione o regolazione dell'automatismo del garage.

## 22 Per aprire la porta manualmente



Se possibile, azionare lo sblocco di emergenza quando la porta è CHIUSA. Molle deboli o danneggiate, così come una porta sbilanciata, possono far inaspettatamente e rapidamente cadere una porta aperta. Non azionare MAI lo sblocco di emergenza se ci sono persone o ostacoli nell'area della porta.

Prima di procedere, sbloccare ogni eventuale serratura della porta. Possibilmente, la porta dovrà essere completamente chiusa. Tirare la maniglia di sblocco di emergenza fino a sentire uno scatto dall'automatismo e sollevare la porta manualmente. Per ricollegare la porta all'automatismo, tirare giù la maniglia di sblocco di emergenza una seconda volta, fino a sentire uno scatto dall'automatismo. La porta si ricollegherà al prossimo movimento di salita o discesa.

### TESTARE LO SBLOCCO DI EMERGENZA

1. Assicurarsi che la porta sia chiusa.
2. Tirare la maniglia di sblocco di emergenza. A questo punto dovrà essere possibile aprire la porta manualmente.
3. Riportare la porta in posizione di chiusura.
4. Tirare la maniglia di sblocco di emergenza una seconda volta.
5. Ricollegare la porta all'automatismo.

## 23 Utilizzo dell'automatismo per garage

### FUNZIONI

Il vostro automatismo per garage è dotato di funzioni per darvi un maggiore controllo sui movimenti della porta del garage.

### ALLARME DI CHIUSURA

La funzione di allarme di chiusura fornisce un segnale visivo di chiusura della porta senza sorveglianza.

### TEMPORIZZATORE DI CHIUSURA (TTC)

La funzione TTC chiude automaticamente la porta dopo un determinato intervallo di tempo che può essere regolato con un comando della porta abilitato per il TTC (sono necessarie fotocellule dei modelli 771EV / 772E / 771EVK / G770E). Prima e durante la chiusura della porta, le luci dell'automatismo del garage lampeggiano.

Attivazione di TTC:

1. Premere e rilasciare il tasto giallo "Learn" (L) 4 volte.
2. Il LED giallo di apprendimento si ACCENDE
3. Scorrere con OFF /incrementi di 1/5/10 minuti con le frecce SU (U) e GIÙ (D). Il LED giallo di apprendimento lampeggia in seguito alla selezione. Per esempio, selezionando 5 minuti, il LED giallo di apprendimento lampeggia 5 volte in segno di conferma.
4. Premere il pulsante rettangolare di regolazione (A) per salvare l'impostazione e uscire dalla modalità di programmazione TTC. Una volta completata l'attivazione, la luce remota a LED MyQ lampeggia UNA volta per conferma. Durante la programmazione della funzione TTC bisogna premere il pulsante entro 30 secondi, altrimenti scade l'attivazione di TTC. Se scade il tempo di programmazione, TTC conserva le impostazioni precedenti e la luce remota a LED MyQ lampeggia CINQUE volte.

Per uscire dalla modalità di programmazione TTC non completata, premere e rilasciare il tasto "Learn" (L) ancora una volta.

CAMBIO DI TEMPORIZZAZIONE TTC:

1. Premere il pulsante "Learn" (L) 4 volte.
2. Scorrere con OFF /incrementi di 1/5/10 minuti con le frecce SU (U) e GIÙ (D). Il LED giallo di apprendimento lampeggia in seguito alla selezione.
3. Premere il tasto rettangolare di regolazione (A) per salvare le impostazioni e uscire dalla modalità di programmazione TTC. Una volta completata l'attivazione di MyQ, la luce remota a LED lampeggia UNA volta per conferma.

DISATTIVAZIONE DI TTC:

1. Premere il pulsante "Learn" (L) 4 volte.
2. Premere una volta il tasto di regolazione per salvare l'impostazione.
3. Una volta completata la disattivazione di MyQ, la luce remota a LED lampeggia UNA volta per conferma. Se TTC è attivo, il timer fa il conto alla rovescia e i raggi IR sono interrotti, il timer TTC verrà riattivato.

### MyQ

MyQ permette di comandare il vostro automatismo per garage dal vostro dispositivo mobile o computer ovunque voi siate. La tecnologia MyQ si serve di un segnale radio per fornire una comunicazione a due vie tra l'automatismo per garage e gli accessori abilitati a MyQ. L'automatismo per garage ha un gateway interno che consente all'automatismo stesso di comunicare direttamente con una rete Wi-Fi® domestica e di accedere al vostro account MyQ.

## FOTOCPELLULE A INFRAROSSI

Se collegate e allineate correttamente, le fotocellule a infrarossi rilevano un ostacolo nella traiettoria del raggio a infrarossi. Se un ostacolo interrompe il raggio a infrarossi durante la chiusura della porta, la porta si ferma e inverte il suo moto fino alla posizione di apertura completa, e le luci dell'automatismo lampeggiano 10 volte. Se la porta è completamente aperta con le fotocellule a infrarossi installate, se queste sono disallineate, la porta non si chiuderà con un telecomando. Sarà tuttavia possibile chiudere la porta tenendo premuto il pulsante sul comando della porta o sull'accesso senza chiave fino alla chiusura completa della porta. Le fotocellule a infrarossi non influiscono sul ciclo di apertura.

## RISPARMIO ENERGETICO

Per risparmiare energia, l'automatismo del garage entra in modalità sleep quando la porta è completamente chiusa. Se la modalità sleep è attivata, spegne l'automatismo del garage. La modalità sleep funziona in sequenza con la luce dell'automatismo; quando la luce si spegne, i LED del sensore si spengono, e ogni volta che le luci dell'automatismo si accendono, anche i LED del sensore si accendono. L'automatismo del garage non entra in modalità sleep se prima non ha completato 5 cicli dopo la riaccensione.

## LUCI

La luce dell'automatismo si accende quando l'automatismo viene collegato inizialmente alla corrente; quando la corrente viene ripristinata dopo un'interruzione, o quando l'automatismo del garage si attiva. La luce si spegne automaticamente dopo 4-1/2 minuti.

## FUNZIONE LUCE

L'automatismo del garage è dotato di una funzione aggiuntiva: le luci si accendono quando qualcuno passa dalla porta del garage e il raggio a infrarossi viene interrotto. È necessario installare fotocellule a infrarossi 771EV / 772E / 771EVK / G770E per abilitare questa funzione.

## BATTERIA TAMPONE (OPTIONAL)

Il sistema a batteria tampone consente di entrare e uscire dal garage anche in mancanza di corrente. Quando l'automatismo del garage funziona alimentato a batteria, il suo movimento sarà più lento, la luce non funzionerà, il LED indicatore dello stato della batteria sarà acceso con luce arancione fissa e si sentirà un segnale acustico ogni 2 secondi circa.

## UTILIZZO DEL VOSTRO AUTOMATISMO PER GARAGE

L'automatismo per garage può essere attivato mediante un comando della porta montato a muro, mediante telecomando, accesso senza chiave wireless o mediante l'accessorio MyQ. Se l'automatismo funziona tramite radiocomando o interruttore a muro:

- chiude la porta quando è completamente aperta
- apre la porta quando è completamente chiusa
- blocca la porta durante l'apertura o la chiusura
- la porta si muove nella direzione opposta a quella dell'ultima manovra completata, se è parzialmente aperta.

Se la porta rileva un ostacolo o viene interrotta in fase di apertura, si blocca. Se l'automatismo del garage rileva un ostacolo in fase di chiusura, la porta inverte il suo moto. Se l'ostacolo interrompe il raggio sensore, le luci dell'automatismo del garage lampeggiano 10 volte. È tuttavia possibile chiudere la porta tenendo premuto il tasto sul comando della porta o sull'accesso senza chiave fino alla completa chiusura della porta. Le fotocellule a infrarossi non influiscono sul ciclo di apertura.

## PROCEDURA DI ATTIVAZIONE E LETTURA DEL CONTATORE DI CICLI:

1. Scollegare la corrente da RJO per entrare in questa modalità.
2. Premere il tasto di regolazione (A) e il tasto "Learn" (L) e tenerli premuti insieme quando si ripristina la corrente.
3. Il LED del tasto freccia "SU" (U) dell'automatismo lampeggia UNA volta per ogni mille cicli COMPLETI effettuati, tenendo premuti il tasto di regolazione (A) e il tasto "Learn" (L).

Per esempio, se RJO ha fatto 8756 cicli, il LED SU lampeggia 8 volte.

Per ripetere la lettura, scollegare RJO dalla corrente e ricominciare.

**Foto-trasmettitore (con 78EV):** permette al comando remoto MyQ di acquisire la programmazione di un trasmettitore tramite il comando multifunzione a muro.

Per trasferire la programmazione del trasmettitore alla luce remota a LED MyQ:

1. Tenere premuti insieme i tasti LIGHT e LOCK.
2. Tenendo premuti i due tasti, tenere premuto uno dei tasti del trasmettitore fino a quando RJO WorkLight lampeggia una volta.
3. Dopo che l'automatismo WorkLight lampeggia una volta, rilasciare tutti i bottoni.

**Modalità vacanza (richiede comando a muro 78EV).** I telecomandi portatili non funzionano se è attiva questa funzionalità. Vedere le istruzioni di 78EV.

**Accesso senza chiave (requires 747EV wireless keypad):** inserire un codice di 4 cifre a scelta per azionare la porta.

**Accesso temporaneo (richiede la tastiera wireless 747EV):** può essere programmato un codice temporaneo per consentire l'accesso limitato al garage (a tempo o per numero di aperture).

**Funzione di chiusura con un tasto (richiede la tastiera wireless 747EV):** Senza avere il codice di accesso, la porta si può chiudere (ma non aprire) da qualunque posizione.

## 24 Collegamento al vostro smartphone

L'automatismo Wi-Fi® per garage è compatibile con un massimo di 16 accessori abilitati per MyQ. È possibile associare al gateway interno all'automatismo Wi-Fi per garage fino a 10 dispositivi. Questi dispositivi possono essere gestiti dall'app MyQ. Questi dispositivi includono qualsiasi combinazione di automatismi per garage MyQ, automatismi Wi-Fi per garage, luce MyQ, apricancello MyQ. È possibile aggiungere un gateway Internet di LiftMaster (828EV) laddove occorra controllare più di 10 dispositivi tramite app MyQ. È possibile associare all'automatismo per garage stesso (controllato dall'apriporta del garage) fino a 6 dispositivi. Questi dispositivi includono qualsiasi combinazione di luce MyQ o una porta di garage e un monitoraggio della porta.

### Occorrente:

- Smartphone, tablet o laptop abilitato al Wi-Fi
- Collegamento Internet a banda larga
- Segnale Wi-Fi nel garage (requisiti: 2.4 Ghz, 802.11b/g/n)
- Password della vostra rete domestica (account principale del router, non rete ospite)
- Numero di serie MyQ indicato sull'automatismo del garage
- Fotocellule a infrarossi (optional)
- Luce remota a LED MyQ (inclusa nella fornitura)

### SINCRONIZZARE IL COMANDO DELLA PORTA

Per sincronizzare il comando della porta 78EV con l'apriporta del garage, premere la maniglia fino ad azionare l'apriporta del garage (possono essere necessari anche 3 tentativi). L'apriporta del garage deve compiere un ciclo completo prima di attivare la programmazione Wi-Fi.

### COLLEGARE IL VOSTRO AUTOOMATISMO PER GARAGE ALLA VOSTRA RETE DOMESTICA WI-FI

1. Premere e rilasciare 3 volte il tasto giallo "LEARN" (L) sull'apriporta del garage. L'apriporta del garage emetterà un segnale acustico. Avete 20 minuti per completare la procedura di connessione.
2. Sul vostro dispositivo mobile, andate su Impostazioni > Wi-Fi e selezionate la rete con il prefisso "MyQ-".
3. Aprire il browser di navigazione in Internet sul vostro smartphone o tablet. Inserire [setup.myqdevice.com](http://setup.myqdevice.com) nella barra dell'indirizzo. Seguite le indicazioni sul monitor per collegare l'apriporta del garage alla vostra rete Wi-Fi. Il numero di serie MyQ comparirà sul monitor. Scrivere il numero di serie nello spazio sottostante.

4. Scaricare l'app MyQ da App Store® o da Google Play™ store. Registrarsi per avere un account MyQ e aggiungere il numero di serie MyQ al vostro account.

Per aggiungere un secondo apriporta Wi-Fi per garage, ripetere i passaggi 1-3. Aggiungere il secondo numero di serie MyQ al vostro account nell'app MyQ.

*NOTES: i comandi MyQ tramite smartphone NON funzionano se l'apriporta del garage funziona alimentato a batteria. Per cancellare le impostazioni Wi-Fi vedere a pag. 15.*

Un LED (A) sull'apriporta del garage indica lo stato del Wi-Fi. Vedere la tabella qui sotto

LED	DEFINIZIONE
BLUE	Spento – Il Wi-Fi non è acceso. Luce intermittente – L'apriporta del garage è in modalità di programmazione Wi-Fi. Luce fissa – Dispositivo mobile collegato all'apriporta del garage.
BLU E VERDE	Luce intermittente – Tentativo di connessione al router in corso.
VERDE	Luce intermittente - Tentativo di connessione al server di Internet in corso. Luce fissa – Il Wi-Fi è stato installato e l'apriporta del garage è collegato a Internet.

---

## **25** Programmare il vostro apriporta e telecomando / Il tasto wireless/ / Tastiera wireless (opzionale)

Azionare l'apriporta soltanto quando la porta sia perfettamente visibile, priva di ostruzioni e regolata in modo appropriato. Nessuno deve entrare o uscire dal garage quando la porta è in movimento. Non lasciar giocare i bambini vicino alla porta. Il ricevitore dell'apriporta del garage e uno dei tasti del telecomando sono pre-programmati. Se acquistate telecomandi aggiuntivi, l'apriporta del garage deve essere programmato per accettare il nuovo codice remoto.

### **PROGRAMMARE IL RICEVITORE PER ASSOCIARE TELECOMANDI AGGIUNTIVI:**

#### **USARE IL PULSANTE GIALLO**

1. Premere e rilasciare il pulsante giallo (L) dell'apriporta. La spia di programmazione in corso si accende con luce fissa per 30 secondi.
2. Entro 30 secondi, tenere premuto il pulsante sul telecomando manuale con il quale volete azionare la porta del vostro garage.
3. Rilasciare il tasto quando la luce dell'apriporta lampeggia una volta. Indica che ha acquisito il codice. Ora l'apriporta si azionerà quando viene premuto il tasto del telecomando. Se il tasto del telecomando viene rilasciato prima che lampeggi la luce dell'apriporta, l'apriporta non acquisisce il codice.

#### **ACCESSO SENZA CHIAVE**

1. Premere e rilasciare il pulsante giallo (L) dell'apriporta. La spia di programmazione in corso si accende con luce fissa per 30 secondi.
2. Immettere un codice identificativo personale (PIN) di 4 cifre a scelta sulla tastiera di accesso senza chiave.
3. Quindi premere il tasto INVIO.
4. Le luci dell'apriporta del garage lampeggiano (o si sentono due scatti) quando il codice è stato programmato. Ripetere i passaggi di cui sopra per programmare telecomandi o dispositivi di accesso senza chiave aggiuntivi. Se la programmazione non va a buon fine, programmare il telecomando con il tasto "Learn".

#### **PER CANCELLARE TUTTI I CODICI DEL TELECOMANDO**

Per disattivare qualsiasi telecomando indesiderato occorre prima cancellare tutti i codici: tenere premuto il tasto giallo dell'apriporta fino a quando non si spegne la spia della modalità di programmazione (circa 10 secondi). Sono così stati cancellati tutti i codici precedenti. Riprogrammare ogni telecomando o accesso senza chiave che si desidera usare.

---

## **26** Programmare la luce remota a LED MyQ

La luce remota del vostro apriporta per garage è già stato programmato di fabbrica per funzionare insieme all'apriporta. Qualsiasi luce remota aggiuntiva o sostitutiva dovrà essere programmata.

### **PROGRAMMARE UN APRIPORTA SU UNA LUCE REMOTA LED MYQ:**

1. Premere il tasto LEARN (L) sulla luce fino a quando si accende il LED verde.
2. Premere il tasto LEARN (L) sull'apriporta.
3. Il codice è stato programmato quando la luce remota lampeggia una volta.

### **PROGRAMMARE UN TELECOMANDO SU UNA LUCE REMOTA LED MYQ**

1. Premere il tasto LEARN (L) sulla luce fino a quando si accende il LED verde.
2. Premere sul telecomando il tasto con cui volete comandare la luce.
3. Il codice è stato programmato quando la luce remota lampeggia una volta.

Per programmare la luce con altri accessori, fare riferimento al manuale del vostro accessorio.

### **AGGIUNGERE LA LUCE REMOTA A LED MYQ SULL'ACCOUNT MYQ**

1. Premere il tasto LEARN (L) sulla luce fino a quando si accende il LED verde.
2. Fare il login sull'app MyQ e aggiungere la luce remota a LED MyQ.

### **PER CANCELLARE TUTTA LA PROGRAMMAZIONE DALLA LUCE REMOTA A LED MYQ**

1. Tenere premuto il tasto LEARN (L) fino a quando il LED spegne (6-10 secondi). Tutta la programmazione è stata così cancellata.

---

## 27 Per cancellare la memoria

### CANCELLARE TUTTI I TELECOMANDI E GLI ACCESSI SENZA CHIAVE

1. Tenere premuto il tasto LEARN (L) on sull'apriporta del garage fino a quando non si spegne la spia della modalità di programmazione (circa 6 secondi). Tutti i telecomandi e gli accessi senza chiave sono così stati cancellati. Riprogrammare qualsiasi accessorio che si desidera usare.

### CANCELLARE TUTTI I DISPOSITIVI (INCLUSI GLI ACCESSORI ABILITATI MYQ)

1. Tenere premuto il tasto LEARN (L) on sull'apriporta del garage fino a quando non si spegne la spia della modalità di programmazione (circa 6 secondi).
2. Premere di nuovo subito il tasto LEARN fino a quando non si spegne la spia della modalità di programmazione. Tutti i codici sono così stati cancellati. Riprogrammare qualsiasi accessorio che si desidera usare.

### CANCELLARE LA RETE WI-FI DALL'APRIORTA DEL GARAGE

1. Tenere premuto il tasto di regolazione nero (A) sull'apriporta del garage fino a sentire 3 segnali acustici (circa 6 secondi).

### CANCELLARE UN ACCOUNT MYQ

Andare su [myliftmaster.eu](http://myliftmaster.eu) per cancellare il vostro account MyQ.

---

## 28 Manutenzione del vostro apriporta per garage

### PIANO DI MANUTENZIONE

#### OGNI MESE

- Azionare la porta manualmente. Se è sbilanciata o si inceppa, rivolgersi a un servizio di assistenza tecnica per porte di garage.
- Accertarsi che la porta si apra e si chiuda completamente. Se necessario, regolare i limiti (vedere il punto 20 "Programmazione le posizioni di finecorsa").
- Ripetere il test di sicurezza dell'inversione del movimento. Fare gli eventuali cambiamenti necessari (see Point 21 "Testare il sistema di inversione di sicurezza").

#### OGNI ANNO

Lubrificare i rulli della porta, cuscinetti e giunti. Non è necessaria una lubrificazione aggiuntiva dell'automatismo della porta. Non lubrificare le vie di corsa della porta.

### LUCE REMOTA A LED MYQ

- Scollegare la luce dalla corrente prima di pulirla.
- Usare un panno leggermente inumidito per la pulizia.
- NON usare detergenti liquidi sulla lente della luce

---

## 29 Sostituire le batterie del telecomando

### Batteria del telecomando:

Le batterie del trasmettitore manuale sono di durata estremamente lunga. Se diminuisce il raggio di trasmissione occorre sostituire le batterie. Le batterie non rientrano nella garanzia.

### Si prega di seguire le seguenti avvertenze sulle batterie:

Le batterie non devono essere smaltite con i rifiuti domestici. Ogni consumatore ha l'obbligo per legge di smaltire le batterie correttamente negli appositi punti di raccolta. Non ricaricare mai batterie che non siano ricaricabili.

### Pericolo di esplosione!

Tenere le batterie lontano dai bambini, non cortocircuitarle e non disconnetterle. Chiamare immediatamente un medico se una batteria è stata ingerita. All'occorrenza, prima di inserirle, pulire i contatti della batteria e dell'apparecchio. Togliere subito dall'apparecchio le batterie esaurite!

### Maggiore rischio di fuoriuscita di liquidi!

Non esporre mai le batterie a calore eccessivo come calore del sole, fuoco o simili!

Sussiste un maggiore rischio di fuoriuscita di liquidi!

Evitare il contatto con la pelle, gli occhi e le mucose. Sciacquare subito le parti colpite dall'acido della batteria con abbondante acqua fredda e chiamare immediatamente un medico. Sostituire sempre le batterie tutte insieme. Togliere le batterie dall'apparecchio in caso di mancato utilizzo per un tempo prolungato.


### Sostituzione della batteria:

Per sostituire la batteria, girare il telecomando e aprire il vano della batteria con un cacciavite. Sollevare il coperchio e il circuito elettronico sottostante. Far scorrere la batteria da una parte e rimuoverla. Rispettare la giusta polarità! Riasssemblare con i passaggi nella sequenza inversa. **ATTENZIONE!**

Pericolo di esplosione in caso di sostituzione scorretta della batteria. Sostituire soltanto con lo stesso tipo o con un tipo equivalente (CR2032) 3V.

## 30 Smaltimento

L'imballaggio deve essere smaltito nei cassoni locali per la raccolta differenziata. In ottemperanza alla Direttiva Europea 2002/96/CE sui rifiuti di apparecchiature elettriche ed elettroniche, questo dispositivo deve essere smaltito correttamente dopo l'uso, al fine di garantire il riciclaggio dei materiali utilizzati.

 Accumulatori e batterie esausti non devono essere smaltiti nei rifiuti domestici, perché contengono inquinanti e devono essere smaltiti presso punti di raccolta municipali o nei cassoni dell'operatore incaricato. Si devono rispettare le norme vigenti a livello nazionale. I componenti devono essere smaltiti correttamente presso una società pubblica specializzata nello smaltimento rifiuti, nel rispetto delle vigenti norme locali e nazionali. Tutti i componenti del motore dismessi non devono essere smaltiti nei rifiuti domestici.

L'autorità competente (città, paese) o la sua società di smaltimento rifiuti vi fornirà informazioni sulle possibilità di smaltimento.

## 31 Scheda diagnostica

Il vostro apriporta per garage è programmato con capacità di autodiagnosi.

Le frecce SU e GIÙ sull'apriporta del garage indicano con lampeggi i codici diagnostici.

CODICE DIAGNOSTICO	SINTOMO	SOLUZIONE	
Lampeggiamenti della freccia SU)	Lampeggiamenti della freccia GIÙ		
1	1	L'apriporta non si chiude e la luce lampeggia.	Se sono installate fotocellule a infrarossi, sono scollegate o è possibile che i fili siano tagliati. Controllare i fili del sensore per verificare che non siano scollegati o tagliati.
1	2	L'apriporta non si chiude e la luce lampeggia.	C'è un filo in cortocircuito o invertito per le fotocellule a infrarossi. Controllare i fili delle fotocellule in tutti i punti di aggraffatura e collegamento e sostituire o correggere secondo necessità.
1	3	L'apriporta non funziona.	I fili dell'apriporta sono cortocircuitati o il comando della porta è guasto. Controllare i fili del comando della porta in tutti i punti di aggraffatura e collegamento e sostituire o correggere secondo necessità.
1	4	L'apriporta non si chiude e la luce lampeggia.	Se sono installate fotocellule a infrarossi, sono disallineate o sono state momentaneamente ostruite. Riallineare entrambi i sensori per assicurarsi che entrambi i LED siano accesi con luce fissa e non sfarfallino. Assicurarsi che non ci siano sulla porta oggetti appesi o montati che interrompano la traiettoria del sensore durante la chiusura.
1	5	La porta si muove per 15-20 cm, si ferma o inverte il movimento.	Aprire e chiudere la porta manualmente. Controllare che non si pieghi o sia ostruita, per es. a causa di una molla rotta o della serratura, correggere eventualmente. Controllare il cablaggio del modulo di finecorsa e la scheda madre. Sostituire il modulo di finecorsa se necessario.
1	5	Nessun movimento, soltanto uno scatto.	Aprire e chiudere la porta manualmente. Controllare che non si pieghi o sia ostruita, per es. a causa di una molla rotta o della serratura, correggere eventualmente. Sostituire la scheda madre se necessario.
1	5	L'apriporta fa rumore per 1-2 secondi ma non si muove	Aprire e chiudere la porta manualmente. Controllare che non si pieghi o sia ostruita, per es. a causa di una molla rotta o della serratura, correggere eventualmente. Sostituire il motore se necessario.
1	6	La porta accosta dopo essersi fermata completamente.	Programmare i finecorsa alla posizione di accosto o far bilanciare la porta da un tecnico qualificato.
2	1-5	Nessun movimento o suono.	Sostituire la scheda madre.
3	1	L'apriporta del garage si muove un po' ma poi si ferma.	Azionare nuovamente l'apriporta del garage. Se il problema persiste, sostituire la scheda madre.
3	3	Il LED di stato della batteria lampeggia costantemente con luce verde.	Errore nel circuito di ricarica della batteria tampone, sostituire la scheda madre.

CODICE DIAGNOSTICO	SINTOMO	SOLUZIONE
Lampeggiami della freccia SU)	Lampeggiami della freccia GIÙ	
3	5	L'apriporta del garage non si chiude o la porta inverte il movimento durante la sua corsa. Se sono stati precedentemente installati due relè di monitoraggio della tensione cavo e uno è stato rimosso, scollegare l'apriporta dalla corrente e ricollegarlo per tre volte per ripristinare il collegamento tra il relè e l'apriporta • Verificare che non ci sia un'eventuale ostruzione della porta e rimuoverla. • Verificare che il relè di monitoraggio della tensione cavo sia correttamente collegato all'apriporta. • Sostituire il relè di monitoraggio della tensione cavo.
4	1-4	La porta si ferma e/o inverte il movimento durante la sua corsa. Aprire e chiudere la porta manualmente. Controllare che non si pieghi o sia ostruita, per es. a causa di una molla rotta o della serratura, correggere eventualmente. Se la porta si piega o si muove a singhiozzo, contattare un tecnico specializzato in porte. Se la porta non si piega né si muove a singhiozzo, provare a riprogrammare le posizioni di finecorsa.
4	5	L'apriporta si muove per circa 15-20 cm, si ferma e inverte il movimento. Errore di comunicazione con il modulo di finecorsa. Controllare i collegamenti del modulo di finecorsa, sostituire il modulo se necessario.
4	6	L'apriporta del garage non si chiude e la luce lampeggia. Le fotocellule a infrarossi sono disallineate o sono state momentaneamente ostruite. Riallineare entrambi i sensori per assicurarsi che entrambi i LED siano accesi con luce fissa e non sfarfallino. Assicurarsi che non ci siano sulla porta oggetti appesi o montati che interrompano la traiettoria del sensore durante la chiusura.
5	5	La porta non si chiude quando si usa il temporizzatore Timer-to-Close o il comando MyQ per smartphone . Deve essere installata la luce remota a LED MyQ per usare TTC o MyQ per i comandi della porta. Collegare alla corrente la luce remota a LED MyQ e assicurarsi che sia programmata per l'apriporta del garage.

## 32 Risoluzione dei problemi

**L'apriporta del garage non funziona né con i comandi della porta né con il telecomando:**

- L'apriporta del garage è collegato all'alimentazione di corrente? Collegare una lampadina alla corrente. Se non si accende, controllare la scatola dei fusibili o l'interruttore magnetotermico. (Alcune prese sono comandate da un interruttore a muro.)
- Sono disattivati tutti i blocchi della porta? Vedere le avvertenze per l'installazione a pag. 5.
- I cablaggi sono corretti?
- C'è neve o ghiaccio sotto la porta? Allora è possibile che il ghiaccio abbia bloccato la porta al suolo.
- Rimuovere eventuali ostacoli. possibile che sia giusta la molla della porta. La molla deve essere sostituita (vedere il punto 3 Pianificazione ).

**L'apriporta del garage funziona con la stazione di comando con un solo pulsante, ma non con un telecomando:**

- Riprogrammare il telecomando e sostituire la batteria se necessario. Ripetere con tutti i telecomandi.

**La porta si apre e si chiude da sola:**

- Assicurarsi che tutti i tasti del telecomando siano spenti.
- Rimuovere il filo del campanello dai morsetti della stazione di comando con un solo pulsante e usare soltanto il telecomando. Se questo risolve il problema, la stazione di comando con un solo pulsante è guasta oppure il filo è in corto intermittente. Sostituire la stazione di comando.
- Cancellare la memoria e riprogrammare tutti i telecomandi (consultare le istruzioni fornite insieme al telecomando o visitare LiftMaster.eu).

**Il mio telecomando non aziona la porta del garage:**

- Verificare che non sia attiva la funzione di blocco sul comando della porta.
- Riprogrammare il telecomando.
- Se il telecomando continua a non far funzionare la porta, controllare i codici diagnostici per appurare che l'apriporta del garage stia funzionando correttamente.

**Il mio telecomando ha un raggio di azione corto:**

- Cambiare la posizione del telecomando nella vostra auto.
- Alcuni impianti possono avere un raggio di azione più corto a causa di una porta di metallo, di isolante in fogli di alluminio, o della struttura metallica ai lati del garage.



**La porta non si apre completamente:**

- Controllare la serratura elettrica.
- Qualcosa ostruisce la porta? È sbilanciata o le molle sono rotte? Rimuovere l'ostruzione o riparare la porta.

**La porta si apre ma non si chiude:**

- Verificare che il relè di monitoraggio della tensione del cavo sia installato correttamente. Se è stato rimosso un secondo relè di monitoraggio della tensione del cavo, seguire le istruzioni per riprogrammare un singolo relè di monitoraggio della tensione del cavo (v. punto 14).
- Le fotocellule a infrarossi devono essere collegate e allineate correttamente prima che l'apriporta si muova verso il basso. Se si riesce a chiudere la porta con una pressione costante, verificare che le fotocellule a infrarossi siano installate e allineate correttamente e siano libere da ostruzioni.
- Se le luci dell'apriporta del garage lampeggiano, controllare le fotocellule a infrarossi.
- Se le luci dell'apriporta del garage non lampeggiano ed è una nuova installazione (v. punto 14). Per un'installazione già esistente v. sotto.

Ripetere il test di inversione di sicurezza dopo aver completato la regolazione.

**La porta torna indietro senza un motivo apparente e le luci dell'apriporta del garage non lampeggiano:**

- Verificare che il relè di monitoraggio della tensione del cavo sia installato correttamente. Se uno dei relè di monitoraggio della tensione del cavo viene rimosso, staccare entrambi i relè dall'automatismo. Collegare quindi il relè di monitoraggio che si vuole usare e scollegare e collegare tre volte l'automatismo per ripristinare il collegamento tra il relè di monitoraggio e l'automatismo. Il resistore 1k fornito è solo per la risoluzione dei problemi delle impostazioni CTM. Secondo la norma EN12453, deve essere installato il relè di monitoraggio della tensione del cavo per rilevare correttamente la condizione di allentamento del cavo.
- C'è qualcosa che ostruisce la porta? Tirare la maniglia di sblocco di emergenza. Usare la porta manualmente. Se non è bilanciata o si piega, chiamare un tecnico specializzato in portoni.
- Togliere il ghiaccio o la neve dall'area del pavimento del garage in cui la porta si chiude.
- Rivedere il punto 20.

Ripetere il test di inversione di sicurezza dopo le regolazioni.

**La mia porta non si chiude e la luce lampeggia:**

Le fotocellule a infrarossi devono essere collegate e allineate correttamente prima che l'apriporta si muova verso il basso.

- Verificare che le fotocellule a infrarossi siano installate e allineate correttamente e siano libere da ostruzioni.

**L'apriporta del garage fa fatica ad aprire la porta:**

- La porta potrebbe essere sbilanciata o le molle potrebbero essere rotte. Chiudere la porta e usare la maniglia di sblocco di emergenza per sbloccare la porta. Aprire e chiudere la porta manualmente. Una porta correttamente bilanciata starà sospesa in qualsiasi punto della sua corsa, interamente sostenuta dalle sue molle. In caso contrario, scollegare l'apriporta del garage e chiamare un tecnico specializzato in portoni.

**L'apriporta del garage fa rumore, poi non funziona:**

- È possibile che le molle della porta del garage siano rotte. V. sopra.
- Se il problema si presenta quando si mette in funzione per la prima volta l'apriporta del garage, la porta potrebbe essere bloccata. Disabilitare la serratura elettrica.

**L'apriporta del garage non funziona per mancanza di corrente:**

- Aprire manualmente la serratura elettrica.
- Usare la maniglia di sblocco di emergenza per sbloccare la porta. La porta si può aprire e chiudere manualmente. Quando torna la corrente, tirare la maniglia di sblocco una seconda volta.
- Disabilitare tutti i blocchi della porta. Usare la maniglia di sblocco di emergenza per sbloccare la porta. La porta si può aprire e chiudere manualmente.

**La porta perde le posizioni di finecorsa:**

- La flangia a collare non è fissata in modo sicuro. Serrare la flangia e riprogrammare le posizioni di finecorsa (v. punto 20).

**L'apriporta del garage si muove mentre la porta è in funzione:**

- Piccoli movimenti sono normali per questo prodotto. Se sono eccessivi, la flangia a collare si usurerà precocemente.
- Assicurarsi che la barra di torsione non si muova eccessivamente a sinistra/destra.
- Assicurarsi che la barra di torsione non si muova visibilmente su e giù quando è in rotazione.
- Verificare che l'apriporta sia montato ad angolo retto rispetto all'albero ausiliario. In caso contrario, cambiare posizione al cuscinetto di montaggio.

**Il connettore della serratura automatica non entra nella presa dell'apriporta:**

- Le serrature del vecchio modello a 24V non sono compatibili. Usare il modello di serratura automatica 841EU, v. la pagina degli accessori.

**La serratura automatica del garage non si attiva quando la porta del garage si apre o si chiude:**

- In modalità batteria tampone, la serratura automatica del garage si sblocca quando la porta del garage è aperta e rimane disattivata fino al ritorno della corrente.

**L'apriporta emette un segnale acustico:**

- Indica chiusura senza sorveglianza. L'apriporta è stato azionato dall'app MyQ App o dal monitoraggio garage e cancello.
- Un LED arancione a luce fissa con segnale acustico, emesso ogni 2 secondi, indica che l'apriporta è alimentato a batteria.
- Un LED arancione a luce intermittente con segnale acustico, emesso ogni 30 secondi, indica che il livello di carica della batteria è basso.
- Un LED rosso a luce fissa con segnale acustico, emesso ogni 30 secondi, indica che la batteria da 12V non tiene più la carica e va sostituita.

**L'apriporta emette un segnale acustico e il LED rosso lampeggia:**

La carica della batteria è bassa o la batteria è morta.

- Sostituire la batteria.

**I comandi MyQ tramite smartphone, i dispositivi MyQ senza fili e il temporizzatore Timer-To-Close non funzionano:**

- In modalità batteria tampone, i comandi MyQ tramite smartphone, i dispositivi MyQ senza fili e il temporizzatore Timer-To-Close sono disabilitati.
- La luce remota a LED MyQ deve essere installata per abilitare l'uso di Timer-to-Close o dei comandi MyQ tramite smartphone. Collegare alla corrente la luce remota a LED MyQ e assicurarsi che sia programmata con l'apriporta del garage. Potrebbero trascorrere fino a 5 minuti prima che Timer-to-Close e i comandi MyQ tramite smart-phone siano abilitati.

### 33 Accessori optional

Usare sempre accessori LiftMaster.

I prodotti non originali possono causare problemi di malfunzionamento.

1.	TX4UNIF	telecomando universale a 4 canali
2.	TX4EVS	telecomando a 4 canali
3.	TX4UNI/S	telecomando universale a 4 canali
4.	128EV	comando a muro senza fili a 2 canali
5.	747EV	tastiera
6.	78EV	comando multifunzionale a muro, cablato
7.	FLA-1LED	lampeggiante
8.	772E	fotocellule
9.	100034	interruttore a chiave (montato a scomparsa)
10.	100041	interruttore a chiave (montato a vista)
11.	829EV	monitoraggio porta garage
12.	485EU	batteria tampone
13.	827EV	luce remota a LED MyQ
14.	041A9264	relè di monitoraggio tensione cavo
15.	841EU	serratura automatica porta

### 34 Dati tecnici

Tensione di ingresso	230-240 VAC, 50 Hz
Max. forza di torsione	36 Nm - AC + BATTERIA 29 Nm - AC
Forza di torsione normale	10 Nm
Potenza	150 W
Potenza in standby	2,6 W
Tipo di motore	Motoriduttore c.c. lubrificato a vita
Rumorosità	57dB
Velocità corsa	21 giri/min (giù), 36 giri/min (su)
Sicurezza personale	Pulsante e arresto automatico nella direzione verso il basso. Pulsante e arresto automatico nella direzione verso l'alto.
Elettronica	Regolazione automatica della forza
Elettrica	Protezione sovraccarico trasformatore e cablaggio pulsante in bassa tensione.
Finecorsa	Rilevatore ottico RPM/Passpoint.
Regolazione finecorsa	Elettronica, semiautomatica e automatica.
Circuito di avvio	Circuito pulsante a bassa tensione.
Max. altezza porta	3 m
Max. larghezza porta	5,5 m
Max. luce porta	16.5 m <sup>2</sup>
Max. peso porta	130 kg
Peso sospeso	11 kg
Registri della memoria ricevente	64
Frequenza di esercizio	433 / 868 MHz, 2,4 GHz

## 35 Guida alla sicurezza e alla manutenzione dell'automatismo per garage

### UN APRIPORTA SICURO: UNA DECISIONE AUTOMATICA

La porta di un garage è il più grande oggetto in movimento in un'abitazione. Una porta di garage e un apriporta regolati in modo non corretto possono esercitare una forza letale quando la porta si chiude, con il rischio che bambini o adulti restino intrappolati sotto la porta con conseguenti lesioni o con esito letale.

L'installazione, l'uso, la manutenzione e la verifica a regola d'arte della porta del garage e del suo automatismo sono necessari per avere a disposizione un sistema sicuro e ben funzionante. È pericoloso anche usare il sistema con disattenzione o permettere ai bambini di usare i comandi dell'automatismo del garage o di giocarci: sono situazioni che possono avere conseguenze tragiche. Poche semplici precauzioni possono proteggere la vostra famiglia e i vostri amici da potenziali pericoli. Si prega di leggere attentamente i consigli per la sicurezza e la manutenzione contenuti nel presente opuscolo e di conservarli come riferimento futuro. Verificare che la porta del garage e l'automatismo funzionino in maniera sicura e senza problemi. Leggere tutte le informazioni importanti per la sicurezza contenute nel manuale dell'automatismo. Il manuale fornisce maggiori dettagli e nozioni sulla sicurezza rispetto al presente opuscolo.

Gli apriporta per garage non sono giocattoli

Spiegare ai bambini l'importanza della sicurezza della porta e dell'apriporta del garage, affinché comprendano il pericolo di rimanere intrappolati sotto la porta.



**Stare lontano da una porta in movimento.**



**Tenere trasmettitori e telecomandi fuori dalla portata dei bambini.** Non lasciare che i bambini giochino con trasmettitori o altri telecomandi né li adoperino.



**Il pulsante montato a muro dovrà essere lontano dalla portata dei bambini,** ad almeno 1,5 m dalla superficie di appoggio piana più vicina e lontano da tutte le parti in movimento. Montare e usare il pulsante in un luogo si possa vedere chiaramente la porta che si chiude.



**Tenere d'occhio la porta fino alla sua completa chiusura** quando si usa il pulsante montato a muro o il trasmettitore.

## 36 La manutenzione ordinaria può prevenire tragedie

Eseguire un'ispezione mensile e testare il sistema di porta e apriporta del garage come parte della vostra normale routine. Consultare il manuale dell'utente sia per la porta, sia per l'apriporta. Se non si ha il manuale dell'utente, contattare il produttore per richiederne una copia per il vostro modello specifico. Il numero del modello dell'apriporta si trova sul retro dell'unità di potenza.



**ATTENZIONE:** – le mole sono sotto alta tensione.

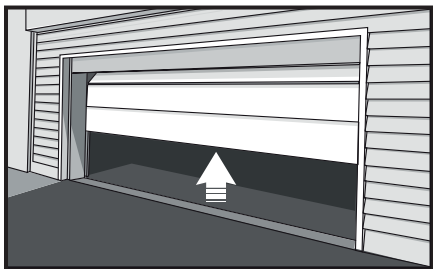
**La oro regolazione deve essere eseguita soltanto da parte di personale qualificato.**

### Fare un'ispezione visiva della porta e dell'impianto:



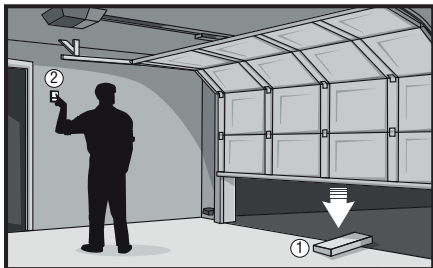
- Iniziano dalla porta in posizione chiusa, usare lo sblocco manuale sull'apriporta per sbloccare la porta.
- Verificare che non ci siano segni di usura o danni su cerniere, rulli, molle e pannelli della porta.
- Queste parti possono richiedere una lubrificazione periodica. Controllare il manuale dell'utente per la manutenzione consigliata.
- Se si riscontrano segni di danneggiamento, chiamare un tecnico specializzato in portoni per ricevere assistenza.
- Verificare che la fotocellula non sia a più di 15 cm di altezza dal pavimento del garage.

### Verificare il corretto funzionamento della porta:



- Aprire e chiudere la porta manualmente usando le maniglie o punti di presa idonei.
- La porta dovrà muoversi liberamente e senza difficoltà.
- La porta dovrà essere bilanciata e rimanere parzialmente aperta, a 90 -120 cm dal pavimento.
- Se si riscontrano segni di funzionamento scorretto, chiamare un tecnico specializzato in portoni per ricevere assistenza.

### Testare le funzioni di sicurezza dell'apriporta:



- Ricollegare l'apriporta alla porta per mezzo dello sblocco manuale e aprire la porta.
- Collocare un pezzo di legno dello spessore di 40 mm nella traiettoria della porta (1) e provare a chiuderla (2). La porta si dovrà chiudere quando tocca il legno e dovrà invertire il suo moto.
- Bloccare il sensore della fotocellula sventolando un oggetto davanti al sensore e provare a chiudere la porta. La porta non si dovrà chiudere, a meno che durante questa operazione non venga tenuto premuto manualmente il pulsante montato a muro.
- Se l'apriporta non ha il comportamento descritto, chiamare un tecnico specializzato in portoni per ricevere assistenza.

**Nota:**

Las instrucciones originales de instalación y funcionamiento están redactadas en inglés.

Cualquier otro idioma disponible es una traducción de la versión original en inglés.

<b>1</b>	Indicaciones generales de seguridad.....	2
<b>2</b>	Uso previsto.....	3
<b>3</b>	Planificación del funcionamiento de la puerta.....	3
<b>4</b>	Planificación para el funcionamiento de MyQ.....	4
<b>5</b>	Preparación de la puerta de su garaje.....	4
<b>6</b>	Herramientas necesarias.....	5
<b>7</b>	Inventario de cajas de cartón.....	5
<b>8</b>	Accesorios requeridos.....	5
<b>9</b>	Fijación del casquillo al abridor de la puerta del garaje.....	5
<b>10</b>	Fijación del soporte de montaje al abridor de la puerta del garaje.....	6
<b>11</b>	Posicionamiento y montaje del abridor de la puerta del garaje.....	6
<b>12</b>	Fijación del cable y la manija de liberación de emergencia.....	6
<b>13</b>	Instalación de la cerradura de puerta automática.....	7
<b>14</b>	Attach Fijación del monitor de tensión de cable (041A9264) (accesorio requerido).....	7
<b>15</b>	Instalación de la luz LED remota MyQ (diseñada para zonas secas únicamente).....	8
<b>16</b>	Conexión eléctrica.....	8
<b>17</b>	Instalación de fotocélulas.....	8
<b>18</b>	Conexión de la alimentación eléctrica.....	9
<b>19</b>	Instalación de la batería de respaldo (accesorio opcional).....	9
<b>20</b>	Programación del recorrido.....	10
<b>21</b>	Comprobación del sistema de inversión de seguridad.....	10
<b>22</b>	Para abrir la puerta manualmente.....	11
<b>23</b>	Cómo usar el abridor de la puerta del garaje.....	11
<b>24</b>	Conexión con el smartphone.....	13
<b>25</b>	Programación de su abridor y mando a distancia / El pulsador inalámbrico / Teclado inalámbrico (opcional).....	14
<b>26</b>	Programación de la luz LED remota MyQ.....	14
<b>27</b>	Borrado de la memoria.....	15
<b>28</b>	Mantenimiento del abridor de la puerta del garaje.....	15
<b>29</b>	Sustitución de las pilas del mando a distancia.....	15
<b>30</b>	Eliminación.....	16
<b>31</b>	Tabla de diagnóstico.....	16
<b>32</b>	Resolución de problemas.....	17
<b>33</b>	Accesorios opcionales.....	20
<b>34</b>	Datos técnicos.....	20
<b>35</b>	Guía de seguridad y mantenimiento del abridor de puerta de garaje automático.....	21
<b>36</b>	Un mantenimiento rutinario puede prevenir tragedias.....	22

# ¡ADVERTENCIA!

## ¡COMIENCE LEYENDO ESTAS IMPORTANTES INSTRUCCIONES DE SEGURIDAD!

### 1 Indicaciones generales de seguridad

Antes de comenzar la instalación:

Lea las instrucciones de uso y especialmente las precauciones. Conserve el manual para futuras consultas y entréguelo a un eventual propietario posterior. Los siguientes símbolos están fijados delante de las instrucciones para evitar lesiones personales o daños materiales. Lea atentamente estas instrucciones.



#### PRECAUCIÓN

Lesiones personales o daños materiales



#### PRECAUCIÓN

Peligro por corriente eléctrica o tensión

#### Información importante de seguridad

El sistema de apertura automática de puerta ha sido probado y diseñado para un funcionamiento seguro, pero la seguridad sólo puede garantizarse si se cumplen estrictamente las instrucciones de seguridad enumeradas a continuación durante la instalación y el funcionamiento. Este producto está diseñado para ser instalado únicamente por técnicos capacitados en puertas de garaje. Este producto puede requerir ajustes en los resortes de las puertas y/o configuraciones de rieles. Este producto no está diseñado para su uso en rieles de poca altura con tambor de captación exterior o puertas de garaje que utilicen resortes de extensión.

- El instalador (especialista) debe leer detenidamente y comprender estas instrucciones antes de iniciar cualquier trabajo. Antes del primer uso y al menos una vez al año, un especialista debe inspeccionar las ventanas, puertas y portones eléctricos en cuanto a su estado de seguridad. **Especialista es aquel que, sobre la base en su formación técnica y experiencia, posee conocimientos suficientes en el ámbito de las ventanas, puertas y portones eléctricos y que, además, está familiarizado con las normas estatales de seguridad laboral y las normas tecnológicas generalmente aceptadas, de tal manera que también puede evaluar las condiciones de trabajo seguras de las ventanas, puertas y portones eléctricos.**
- El instalador debe conocer las siguientes normas: EN 13241, EN 12604, EN 12453. El especialista/experto capacitado debe instruir al operador en lo siguiente:
  - El funcionamiento del accionamiento y sus peligros
  - El manejo del mecanismo de desbloqueo manual de emergencia
  - El mantenimiento, la inspección y el cuidado regulares, y sus tareas
  - El operador debe instruir a otros usuarios sobre el funcionamiento del accionamiento. Después de la correcta instalación del accionamiento, la persona responsable de la instalación del accionamiento de acuerdo con la Directiva de máquinas 2006/42/CE debe emitir la declaración de conformidad CE para el sistema de puerta. El distintivo CE y una placa de características deben colocarse en el sistema de puerta. Esto también es obligatorio en el proceso de reequipamiento de una puerta de accionamiento manual. Además, deberá cumplimentarse un protocolo de entrega y un libro de inspección.
- La puerta debe estar equilibrada. Las puertas que no se muevan o se atasquen deben ser reparadas. En un estado desequilibrado, las puertas de garaje, los muelles de las puertas, los cables, los discos, los soportes y los rieles están sometidos a una tensión extrema, que puede provocar lesiones graves. No intente aflojar, mover o realinear la puerta. En su lugar, póngase en contacto con el centro de servicio o con un profesional de puertas.
- Durante la instalación o el mantenimiento de un abridor de puerta, no deben llevarse joyas, relojes o ropa suelta.
- Para evitar lesiones personales graves debido a enredos, retire todos los cables y cadenas conectados a la puerta antes de instalar el abridor.
- Durante la instalación y la conexión eléctrica deben observarse las normas locales de construcción y eléctricas.
- Se requiere la instalación del monitor de tensión de cable de acuerdo con la norma EN12453.
- Para evitar daños en puertas muy ligeras (como puertas de fibra de vidrio, aluminio o acero), debe añadirse un refuerzo adecuado. Para ello, póngase en contacto con el fabricante de la puerta.
- El sistema automático de seguridad inversa debe someterse a una prueba. En caso de contacto con una barrera de 40 mm de altura en el suelo, la puerta del garaje DEBE retornar. Si no se ajusta correctamente el abridor de la puerta, se pueden producir lesiones personales graves al cerrarse la puerta del garaje. Repita la prueba una vez al mes y haga los cambios necesarios.
- Este sistema no debe instalarse en zonas húmedas o mojadas.
- Durante el funcionamiento, la puerta no debe en ningún caso obstruir pasos públicos.
- Para recordar a todos los operadores el funcionamiento seguro, además del interruptor de pared iluminado se debe colocar una señal de advertencia para proteger a los niños. Las señales de advertencia sobre el riesgo de atrapamiento deben colocarse en lugares claramente visibles.
- Los niños deben ser supervisados para asegurarse de que no juegan con el dispositivo. No permita que los niños accionen los botones o mandos a distancia.
- Este dispositivo no está diseñado para ser utilizado por personas (incluyendo niños) con capacidades físicas, sensoriales o mentales restringidas o falta de experiencia y/o conocimiento, a menos que sean supervisados por una persona responsable de su seguridad o hayan recibido instrucciones sobre cómo usar el dispositivo.
- Todas las barreras / cerraduras están desactivadas para evitar daños en la puerta.
- Si es necesario, el equipo de control instalado DEBE montarse a la vista de la puerta y fuera del alcance de los niños. No se debe permitir a niños accionar los botones o los mandos a distancia. El uso indebido del abridor de puerta puede provocar lesiones graves.

- El abridor de puerta se debe usar ÚNICAMENTE si el operador puede ver toda el área de la puerta y se asegura de que esté libre de obstáculos y de que el abridor de puerta esté ajustado correctamente. Nadie puede pasar a través de la puerta mientras está en movimiento. No se debe permitir que niños jueguen cerca de la puerta.
- Utilice el desbloqueo manual solo para separar el carro del accionamiento y, si es posible, ÚNICAMENTE con la puerta cerrada. No use la manija roja para empujar la puerta hacia arriba o hacia abajo.
- Antes de realizar cualquier reparación o quitar cubiertas, el abridor de la puerta debe estar separado de la fuente de alimentación eléctrica. **Las reparaciones e instalaciones eléctricas sólo pueden ser realizadas por un electricista autorizado.**
- Este producto tiene un transformador con un cable de alimentación especial. En caso de daños, DEBE ser reemplazado por un transformador original por un técnico calificado.
- El accionamiento del desbloqueo de emergencia puede provocar movimientos incontrolados de la puerta, si los muelles están flojos o rotos o si la puerta está desequilibrada.
- Monte la manilla de desbloqueo de emergencia a una altura inferior a 1,80 m.
- La función de temporizador de cierre (TTC), la aplicación MyQ Smartphone Control y el monitor MyQ para puertas de garaje y portones son ejemplos de cierre sin supervisión y se deben utilizar ÚNICAMENTE con puertas seccionales. Cualquier dispositivo o función que permita que la puerta se cierre sin estar en la línea de visión de la puerta se considera cierre sin vigilancia. La función de temporizador de cierre (TTC), la aplicación MyQ Smartphone Control y cualquier otro dispositivo MyQ deben utilizarse SOLO con puertas seccionales.
- El accionamiento no se debe utilizar si en la puerta del garaje hay una puerta para personas.

Conserve estas instrucciones

## 2 Uso previsto

El dispositivo está previsto para la apertura y el cierre de puertas con barra de torsión y muelles (véase el apartado 3 "Planificación"). El dispositivo no está diseñado para el uso comercial, sino únicamente para el uso en puertas de garaje privadas que son apropiadas para un solo hogar. Cualquier uso inadecuado del accionamiento podría aumentar el riesgo de accidentes. El fabricante no asume ninguna responsabilidad por dicho uso. Solo se pueden conectar al accionamiento accesorios originales de LiftMaster. Con este accionamiento, los portones automatizados deben cumplir las normas, directrices y prescripciones locales, internacionales y específicas de cada país (EN 13241, EN 12453 y EN 12604).

## 3 Planificación del funcionamiento de la puerta

Examine su área para ver si alguna de las siguientes condiciones se aplica a su instalación. Dependiendo de sus necesidades, es posible que se necesiten materiales adicionales.

### ESTE ABRIDOR DE PUERTA ES COMPATIBLE CON:

- Puertas que utilizan una barra de torsión y muelles. La barra de torsión debe tener un diámetro de 25,4 mm. NO es compatible con tambores de bobinado inverso.
- Tambores de 80-120 mm, no utilizar en tambores cónicos de más de 120 mm.
- Puertas seccionales estándar de hasta 3 m de altura.
- Puertas de hasta 5,5 m de ancho.
- Puertas de hasta 16.5 m<sup>2</sup>.

*Nota: Inspeccione la barra de torsión mientras la puerta está levantada y bajada. Es importante que no haya movimientos notables hacia arriba y hacia abajo o hacia la izquierda y la derecha. Si no se corrige el movimiento, la vida útil del abridor de la puerta de garaje se reducirá considerablemente.*

Revise o inspeccione el área de instalación propuesta. El abridor de puerta se puede instalar en el lado izquierdo o derecho de la puerta. Seleccione el lado que cumpla con los requisitos que se enumeran a continuación.

- Debe tener un mínimo de 6,4 cm entre la pared y el centro de la barra de torsión.
- Debe tener un mínimo de 7,6 cm entre el techo y el centro de la barra de torsión.
- Debe tener un mínimo de 21,6 cm entre la pared lateral (u obstrucción) y el extremo de la barra de torsión.
- La barra de torsión debe extenderse al menos 3,81 cm más allá del rodamiento. Esto puede variar dependiendo de los requisitos de su instalación.
- Se requiere una toma de corriente eléctrica a 1,83 m del área de instalación. Si no hay toma de corriente, póngase en contacto con un electricista cualificado.



---

## 4 Planificación para el funcionamiento de MyQ

Este operador tiene la capacidad de controlarse mediante fotocélulas MyQ cuya instalación se requiere. Supervise y controle la puerta de su garaje desde cualquier lugar utilizando la aplicación MyQ.

### ANTES DE COMENZAR:

Necesitará:

- Teléfono inteligente, tableta o portátil con conexión Wi-Fi
- Conexión a Internet de banda ancha
- Señal Wi-Fi en el garaje (2.4 Ghz, 802.11b/g/n requerido)
- Contraseña para la red doméstica (cuenta principal del enrutador, no para la red de invitados)

**La señal Wi-Fi es fuerte.**

El abridor de la puerta del garaje se conectará a su red Wi-Fi.

**La señal Wi-Fi es débil.**

El abridor de la puerta del garaje puede conectar a su red Wi-Fi. Si no, pruebe una de las siguientes opciones para mejorar la señal Wi-Fi:

### COMPRUEBE LA INTENSIDAD DE LA SEÑAL WI-FI

Asegúrese de que su dispositivo móvil esté conectado a su red Wi-Fi. Mantenga el dispositivo móvil en el lugar donde se instalará el abridor de la puerta del garaje y compruebe la intensidad de la señal Wi-Fi.

**No hay señal Wi-Fi.**

El abridor de la puerta del garaje no será capaz de conectarse a su red Wi-Fi. Pruebe una de las siguientes opciones para mejorar la señal Wi-Fi:

- Acerque el enrutador al abridor de la puerta del garaje para minimizar las interferencias de las paredes y otros objetos
- Compre un extensor de alcance Wi-Fi

---

## 5 Preparación de la puerta de su garaje



**PRECAUCIÓN:** llame SIEMPRE a un técnico cualificado en sistemas de puertas si la puerta del garaje se atasca, se obstruye o está desequilibrada. NUNCA trate de aflojar, mover o ajustar la puerta del garaje, los resortes de la puerta, los cables, las poleas, los soportes o sus herrajes, TODOS los cuales están bajo tensión EXTREMA. Desactive TODOS los bloqueos y retire TODOS los cables conectados a la puerta del garaje

ANTES de instalar y operar el abridor de la puerta del garaje para evitar enredos. Este sistema de abridor está equipado con una función de funcionamiento no supervisado. La puerta podría moverse inesperadamente. NADIE DEBE CRUZAR EL CAMINO DE LA PUERTA EN MOVIMIENTO.

### ANTES DE COMENZAR:

- Desactive los bloqueos.
- Retire todos los cables conectados a la puerta del garaje.

Realice la siguiente comprobación para asegurarse de que la puerta del garaje está equilibrada y no se obstruye ni atasca:

- Levante la puerta a mitad de camino. Suelte la puerta. Si está equilibrada, debe permanecer en su lugar, apoyada completamente por sus resortes.
- Suba y baje la puerta para comprobar si está atascada u obstruida.
- Las puertas con un peso superior a de 130 kg NO deben abrirse ni caer rápidamente.

Si la puerta se atasca, se obstruye o está desequilibrada, llame a un técnico cualificado en sistemas de puertas.

## 6 Herramientas necesarias

Durante el montaje, la instalación y el ajuste del abridor de la puerta del garaje, las instrucciones requerirán herramientas manuales como se ilustra a continuación.

- |                          |                                 |
|--------------------------|---------------------------------|
| 1. Escalera de tijera    | 7. Destornillador               |
| 2. Taladro               | 8. Nivel                        |
| 3. Cinta métrica         | 9. Martillo de garras           |
| 4. Alicates para alambre | 10. Vasos y llave con extensión |
| 5. Alicates              | 11. Llave de extremo ajustable  |
| 6. Brocas de perforación | 12. Lápiz                       |

## 7 Inventario de cajas de cartón

Si falta algo, revise cuidadosamente el material de embalaje.

ABRIDOR DE PUERTA DE GARAJE			BOLSA CON PIEZAS METÁLICAS		
1.	Abridor de puerta de garaje, LM3800W	1x	11.	Tornillo 15 mm	2x
2.	Cerradura de puerta de garaje automática, 941EU	1x	12.	Tornillo 54,8 mm	4x
3.	Soporte de montaje	1x	13.	Tirador	1x
4.	Casquillo con tornillos de fijación	1x	14.	Cable	1x
5.	Etiquetas de seguridad	1x	15.	Tornillo 15 mm	2x
6.	Mando a distancia de 4 botones, TX4EVF	2x	16.	Anclaje para panel de yeso (de atornillamiento) 36.8 mm	4x
7.	Luz LED remota MyQ, 827EV	1x	17.	Tornillo 22 mm	2x
8.	Manual				
PIEZAS METÁLICAS DE LA LUZ REMOTA					
9.	Anclaje para panel de yeso (de atornillamiento) 42 mm	2x			
10.	Tornillo 27,85 mm	2x			

## 8 Accesorios requeridos

Monitor de tensión de cable 041A9264.

Fotocélulas infrarrojas (para funcionamiento de MyQ: - 771EV o 772E o 771EVK o G770E).

## 9 Fijación del casquillo al abridor de la puerta del garaje

*Para evitar problemas de instalación, no ponga en marcha el abridor de la puerta del garaje hasta que se le indique.*

El abridor de la puerta de garaje puede instalarse a ambos lados de la puerta (véase el apartado Planificación). Las ilustraciones mostradas son para la colocación en la Hoja de ilustraciones.

1. Afloje los tornillos de fijación.
2. Acople el casquillo al eje del motor del abridor de la puerta del garaje. El lado del collar con el orificio más grande se debe colocar en el eje del motor.
3. Asegúrese de que el casquillo esté completamente asentado en el eje del motor hasta que se alcance el tope.
4. Coloque el casquillo de modo que los tornillos queden orientados hacia fuera y sean accesibles cuando se monten en la barra de torsión.
5. Apriete firmemente los 2 tornillos de fijación de cabeza cuadrada más cercanos al eje del motor girando los tornillos 1/4 - 1/2 vuelta después de hacer contacto con el eje del motor.

## 10 Fijación del soporte de montaje al abridor de la puerta del garaje



1. Fije el lado ranurado del soporte de montaje al mismo lado del abridor de la puerta del garaje que el casquillo, usando los tornillos suministrados (11).

*Nota: No apriete los tornillos hasta que se le indique.*

## 11 Posicionamiento y montaje del abridor de la puerta del garaje



Se DEBEN usar anclajes para hormigón si se monta el soporte en mampostería. NUNCA trate de aflojar, mover o ajustar la puerta de garaje, los resortes, los cables, las poleas, los soportes o sus herrajes, TODOS los cuales están bajo tensión EXTREMA. Llame SIEMPRE a un técnico / instalador / especialista cualificado en sistemas de puertas si la puerta del garaje se atasca, se obstruye o está desequilibrada. Es posible que una puerta de garaje desequilibrada NO retroceda cuando sea necesario. El abridor de la puerta del garaje DEBE montarse en ángulo recto con la barra de torsión para evitar el desgaste prematuro del casquillo. Considere los requisitos locales.

*Nota: Para opciones de montaje adicionales, consulte la página de accesorios.*

1. Cierre completamente la puerta del garaje.
2. Deslice el abridor de la puerta del garaje en el extremo de la barra de torsión. Si la barra de torsión es demasiado larga o está dañada, es posible que deba cortarla. Asegúrese de que el casquillo NO toque el cojinete.
3. Utilice un nivel para posicionar y alinear verticalmente el abridor de la puerta del garaje. Verifique que el soporte de montaje esté ubicado en una superficie sólida como madera, hormigón o soporte de puerta / baldosa. Si se instala en paneles de yeso, el soporte de montaje DEBE fijarse a un perno sin cabeza.
4. Cuando el abridor de la puerta del garaje esté correctamente alineado, marque los orificios del soporte de montaje. Si es necesario, apriete los tornillos del casquillo en la barra de torsión para mantener el abridor de la puerta del garaje en su lugar mientras marca los orificios. NOTA: El abridor de la puerta del garaje no tiene que estar a ras de la pared.
5. Retire el abridor de la puerta del garaje de la barra de torsión. Taladre orificios piloto de 5 mm en los lugares marcados. Taladre a través de las placas metálicas del riel de la puerta si es necesario.
6. Deslice el abridor de la puerta del garaje hacia atrás en la barra de torsión hasta que los orificios piloto se alineen con el soporte.
7. Apriete los 2 tornillos de fijación de cabeza cuadrada de la barra de torsión. Para una barra de torsión hueca, apriete los tornillos 3/4 - 1 vuelta completa después de hacer contacto con la barra. Para una barra de torsión de eje sólida, apriete los tornillos 1/4 - no más de 1/2 vuelta después de hacer contacto con el eje. Si se instala en una barra de torsión con chaveta, NO apriete los tornillos en el chavetero.
8. Fije el soporte de montaje a la pared y al abridor de la puerta del garaje. Fije el soporte de montaje a la pared con los tornillos (12).

## 12 Fijación del cable y la manija de liberación de emergencia



A ser posible, utilice la manija de liberación de emergencia para desenganchar la puerta SOLAMENTE cuando la puerta del garaje esté CERRADA. Unos resortes flojos o rotos o una puerta desequilibrada pueden hacer que una puerta abierta caiga de forma rápida y/o imprevista. NUNCA use la manija de liberación de emergencia a menos que la puerta del garaje esté libre de personas y obstrucciones.

1. Inserte un extremo del cable de liberación de emergencia a través de la manija. Asegúrese de que "AVISO" está del lado correcto hacia arriba. Asegúrelo con un nudo a por lo menos 2,5 cm del extremo del cable para evitar que se resbale.
2. Inserte el otro extremo del cable de liberación de emergencia a través del orificio del brazo de liberación del carro. Monte el dispositivo de liberación de emergencia a una altura mínima de 1,83 m sobre el suelo, evitando el contacto con vehículos para evitar la liberación accidental y asegúrelo con un nudo por encima.

*Nota: Si es necesario cortar el cable, selle el extremo cortado con una cerilla o mechero para evitar que se suelte.*

## 13 Instalación de la cerradura de puerta automática

La cerradura de puerta automática (modelo 841EU) se utiliza para evitar que la puerta se abra manualmente una vez que la puerta esté completamente cerrada.

*Nota: Las cerraduras de puerta antiguas de 24 V son incompatibles.*

1. La cerradura debe montarse a una distancia máxima de 3,05 m del abridor de puerta.
2. Asegúrese de que la superficie del riel esté limpia y fije la plantilla de la cerradura a la guía de manera que el orificio para el perno esté aproximadamente a 7,6 cm del centro del rodillo de la puerta.
3. Taladre los orificios como se indica en la plantilla.
4. Sujete la cerradura de puerta automática en el exterior de la guía de la puerta con las piezas metálicas suministradas.
5. Tienda el cable de timbre pared arriba hasta el abridor de puerta. Use grapas aisladas (opcionales) para asegurar el alambre en varios lugares. Inserte el cable a través de la parte inferior del abridor de la puerta.
6. Enchufe el conector en cualquiera de los enchufes del abridor de la puerta. Se puede instalar una cerradura de puerta secundaria (841EU) en el lado opuesto de la puerta siguiendo las instrucciones anteriores.

### COMPROBACIÓN DEL CIERRE AUTOMÁTICO DE LA PUERTA

1. Con la puerta completamente cerrada, el pasador de la cerradura de puerta automática (B) debe sobresalir de la guía.
2. Accione la puerta en la dirección de apertura. La cerradura de puerta automática (A) debe retraerse antes de que la puerta comience a moverse.
3. Accione la puerta hacia abajo. Cuando la puerta alcanza la posición completamente cerrada, la cerradura de puerta automática debe moverse a la posición de bloqueo para asegurar la puerta.

*Nota: Si la cerradura de puerta automática no funciona, el la cerradura se puede liberar manualmente deslizando la manija de liberación manual (C) hacia la posición abierta.*

## 14 Attach Fijación del monitor de tensión de cable (041A9264) (accesorio requerido)

El monitor de tensión del cable DEBE estar conectado e instalado correctamente antes de que el abridor de la puerta del garaje se mueva hacia abajo. El monitor de tensión de cable detecta CUALQUIER holgura que pueda ocurrir en los cables e invertirá la puerta, eliminando las llamadas de servicio. Se requiere la instalación del monitor de tensión de cable de acuerdo con la norma EN12453.

*Nota: El monitor de tensión del cable se envía para su instalación en el lado izquierdo. Para la instalación en el lado derecho, retire el anillo de presión que sujeta el rodillo en su lugar y vuelva a montarlo en el lado opuesto del monitor de tensión del cable.*

1. Asegúrese de que el cable de la puerta esté aproximadamente a 19 mm de la superficie de montaje. Es posible que se requieran ajustes o cuñas en la puerta para lograr la profundidad adecuada para el cable de la puerta.
2. Coloque el monitor de tensión del cable de forma que el rodillo quede a 5-15 cm del tambor y el rodillo se extienda 3-6 mm más allá del cable. Asegúrese de que el monitor de tensión del cable esté situado sobre un soporte de madera y que el rodillo esté libre de obstrucciones.  
*NOTA: No debe haber obstrucciones en el área de instalación que impidan que el monitor de tensión del cable se cierre completamente cuando se detecte una holgura.*
3. Marque y taladre agujeros piloto de 5 mm para los tornillos (los agujeros piloto no son necesarios para los anclajes).
4. Fije el monitor de tensión del cable a la pared utilizando las piezas metálicas suministradas. Asegúrese de que el rodillo esté en la parte superior del cable.
5. Tienda el cable de timbre hacia el abridor de puerta. Use grapas aisladas para asegurar el alambre.
6. Conecte el cable de timbre a los terminales verdes de conexión rápida (10 + 11) del abridor de puerta (la polaridad no es importante).  
*Nota: El cable debe tener tensión durante todo el recorrido de la puerta. Asegúrese de que el cable no esté flojo en el lado opuesto de la puerta durante el funcionamiento normal. Si se produce holgura durante el recorrido de la puerta, ajuste los cables según sea necesario.*

Cuando se instalan dos monitores de tensión de cable, la puerta no se moverá en dirección descendente o se invertirá si uno de los monitores detecta holgura o está desconectado.

### COMPROBACIÓN DEL MONITOR DE TENSIÓN DE CABLE

1. Con la puerta completamente cerrada, empuje la parte delantera del monitor de tensión del cable. Debe oírse un chasquido. Si no hay chasquido, el rodillo puede estar golpeando la jamba y no permitir que el interruptor detecte holgura en el cable. Asegúrese de que el monitor de tensión del cable esté montado a ras de la pared y que el rodillo esté libre de obstrucciones.

La resistencia 1k proporcionada es únicamente para resolver problemas en la configuración del CTM. Conforme a la EN12453, el monitor de tensión de cable debe estar instalado para una correcta detección de holgura de cable.

Si su monitor de tensión de cable se ha activado, las flechas ARRIBA y ABAJO parpadearán con el código de diagnóstico 3-5.

## 15 Instalación de la luz LED remota MyQ (diseñada para zonas secas únicamente)

La luz LED remota MyQ está diseñada para conectarse directamente a una toma de corriente estándar de 230 V. Seleccione un lugar adecuado en el techo o la pared para montar la lámpara a 1,83 m de una toma de corriente, de modo que el cable y la luz estén alejados de las piezas móviles. Se requiere la instalación de la luz LED remota MyQ para habilitar la operación de MyQ y el temporizador de cierre (TTC).

*Nota: Si no se puede instalar la luz en panel de yeso y no se puede localizar una viga del techo, use los anclajes para panel de yeso suministrados. No se requiere un orificio piloto para los anclajes de paneles de yeso.*

1. Taladre orificios piloto a una distancia de 15,6 cm en caso de montaje en viga.  
O  
bien Atornille anclajes para paneles de yeso a una distancia de 15,6 cm en caso de montaje en panel de yeso.
2. Determine la longitud del cable de alimentación necesario para alcanzar la toma de corriente más cercana. Enrolle el exceso de cable alrededor del dispositivo de retención de cable en la parte superior de la base de la lámpara. Guíe el cable a través del canal para que la lámpara quede a ras.
3. Abra la lente de la lámpara.
4. Monte la lámpara con los tornillos suministrados (11+12).
5. Cierre la lente de la lámpara.
6. Enchufe la lámpara a la toma de corriente.

*Nota: La luz LED es muy brillante. NO mire fijamente a la luz mientras esté en una escalera.*

La luz remota de su abridor de puerta de garaje ya ha sido programada en la fábrica para funcionar con su abridor. Cualquier luz remota adicional o de sustitución deberá ser programada.

## 16 Conexión eléctrica



**Para evitar lesiones personales y daños en el aparato, el abridor de puerta solo debe ser operado si tal instrucción está explícitamente indicada en este manual. El enchufe de alimentación debe estar siempre accesible para desconectar la alimentación de red. Las instalaciones eléctricas solo deben ser realizadas por un electricista autorizado.**

## 17 Instalación de fotocélulas

### INFORMACIÓN IMPORTANTE SOBRE LAS FOTOCÉLULAS INFRARROJAS

Las instrucciones de montaje están incluidas en el volumen de suministro de las fotocélulas infrarrojas y deben seguirse. **Las fotocélulas se encargan de que la puerta esté abierta o permanezca abierta si hay personas, especialmente niños pequeños, en la zona de la puerta.** Cuando está correctamente conectado y alineado, el sensor de fotocélulas infrarrojas detectará un obstáculo en la trayectoria de su haz electrónico. El sensor emisor transmite un haz de luz invisible al sensor receptor. Si una obstrucción interrumpe el haz de luz mientras la puerta se está cerrando, la puerta se detendrá y volverá a la posición completamente abierta, y las luces del abridor parpadearán 10 veces.

Para utilizar la función MyQ o TTC, los sensores deben instalarse en el garaje de forma que los sensores emisores y receptores estén el uno frente al otro a través de la puerta, a no más de 10 cm por encima del suelo. Puede instalarse a la izquierda o a la derecha de la puerta siempre y cuando el sol nunca brille directamente en la lente del sensor receptor. La trayectoria invisible del haz de luz no debe estar obstruida. Ninguna parte de la puerta del garaje (rieles, resortes, bisagras, rodillos u otros herrajes) debe interrumpir el haz mientras la puerta se está cerrando.

*Nota: Liftmaster recomienda instalar fotocélulas infrarrojas en cada instalación. Para el uso de la función MyQ o TTC se requiere la instalación de una fotocélula infrarroja.*

### CABLEADO DE LAS FOTOCÉLULAS INFRARROJAS

1. Pase el cable de ambos sensores hacia el abridor de la puerta del garaje. Fije el cable a la pared y al techo con las grapas.
2. Pele 11 mm de aislamiento de cada juego de cables. Separe los cables. Enrosque los cables blancos. Enrosque los cables blancos y negros juntos.
3. Inserte los cables blancos en el terminal blanco del abridor de la puerta del garaje. Inserte los cables blancos/negros en el terminal gris del abridor de la puerta del garaje. Para insertar o extraer los cables del terminal, empuje la lengüeta con la punta de un destornillador.

### ASEGÚRESE DE QUE LAS FOTOCÉLULAS INFRARROJAS ESTÉN ALINEADAS

**La puerta no se cerrará si los sensores no se han instalado y alineado correctamente.**

Cuando el haz de luz está obstruido o desalineado mientras la puerta se está cerrando, la puerta se invertirá y las luces del abridor de la puerta del garaje parpadearán diez veces. Si la puerta ya está abierta, no se cerrará. Los sensores se pueden alinear aflojando las tuercas de mariposa, alineando los sensores y apretando las tuercas de mariposa.

1. Compruebe que los LED de ambos sensores se iluminan de forma permanente. Los LED de ambos sensores se iluminarán de forma permanente si están alineados y cableados correctamente.

## COMPROBACIÓN DE LA FOTOCÉLULA INFRARROJA

1. Abra la puerta. Coloque una obstrucción en la trayectoria de la puerta.
2. Presione el pulsador del mando a distancia para cerrar la puerta. La puerta no se moverá más de 2,5 cm y las luces del abridor de la puerta del garaje parpadearán 10 veces.

El abridor de la puerta del garaje no se cerrará desde un mando a distancia si el LED de cualquiera de las fotocélulas infrarrojas está apagado (avisándole del hecho de que el sensor está desalineado u obstruido). Si el abridor de la puerta del garaje cierra la puerta cuando la fotocélula infrarroja está obstruida (y los sensores no están a más de 10 cm del suelo), llame a un técnico especializado en sistemas de puertas.

## 18 Conexión de la alimentación eléctrica

Para evitar problemas de instalación, no haga funcionar el abridor de la puerta del garaje en este momento.

Para reducir el riesgo de descarga eléctrica, su abridor de puerta de garaje tiene un enchufe con conexión a tierra. Este enchufe solo encaja en una toma de corriente con conexión a tierra. Si el enchufe no encaja en la toma de corriente que usted tiene, póngase en contacto con un electricista cualificado para que instale la toma de corriente adecuada.

Solo hay una opción para conectar la alimentación eléctrica:

### CABLEADO TÍPICO

Enchufe el abridor de la puerta del garaje en una toma de corriente con conexión a tierra.

## 19 Instalación de la batería de respaldo (accesorio opcional)



Para reducir el riesgo de INCENDIO o LESIONES a las personas. Desconecte TODA la energía eléctrica y de batería ANTES de realizar cualquier servicio o mantenimiento. Use SOLAMENTE la pieza LiftMaster 485EU para sustituir la batería. NO tire la batería al fuego. La batería puede explotar. Consulte la normativa local para obtener instrucciones de eliminación.

En el modo de respaldo por batería, MyQ Smartphone Control y los dispositivos inalámbricos MyQ se desactivarán. En el modo de respaldo por batería, la cerradura automática de la puerta del garaje se desbloqueará cuando se abra la puerta del garaje y permanecerá desactivada hasta que se restablezca el suministro eléctrico.

1. Desenchufe el abridor de la puerta del garaje.
2. Use un destornillador para quitar la tapa de la batería del abridor de la puerta del garaje.
3. Inserte parcialmente la batería en el compartimento de la batería con los terminales hacia afuera.
4. Conecte los cables rojo (+) y negro (-) del abridor de la puerta del garaje a los terminales correspondientes de la batería.
5. Vuelva a colocar la tapa de la batería.
6. Enchufe el abridor de la puerta del garaje.

### LED DE ESTADO DE LA BATERÍA (B)

#### LED VERDE:

Todos los sistemas son normales.

- Una luz LED verde permanente indica que la batería está completamente cargada.
- Un LED verde parpadeante indica que la batería se está cargando.

#### LED NARANJA:

El abridor de la puerta del garaje ha perdido energía y está en modo de respaldo por batería.

- Un LED de color naranja permanente con un pitido, que suena aproximadamente cada 2 segundos, indica que el abridor de la puerta del garaje está funcionando con energía de la batería.
- Un LED naranja parpadeante con un pitido, que suena cada 30 segundos, indica que el nivel de la batería es bajo.

#### LED ROJO:

La batería de 12V del abridor de la puerta del garaje se debe sustituir.

- Un LED rojo permanente con un pitido, que suena cada 30 segundos, indica que la batería de 12V ya no tiene carga y que debe sustituirse. Reemplace la batería de respaldo para conservar la función de respaldo por batería.

*Nota: La batería no necesita estar completamente cargada para operar el abridor de la puerta del garaje.*

## 20 Programación del recorrido



El ajuste incorrecto de los límites de recorrido de la puerta del garaje interferirá con el funcionamiento correcto del sistema de inversión de seguridad. Después de hacer CUALQUIER ajuste, el sistema de inversión de seguridad se DEBE comprobar. La puerta DEBE invertirse al entrar en contacto con un objeto de 40 mm en el suelo. Para evitar daños a vehículos, asegúrese de que la puerta completamente abierta tenga suficiente espacio libre.

Los límites de recorrido regulan los puntos en los que la puerta se detendrá al subir o bajar. Durante la programación, los botones ARRIBA y ABAJO se pueden utilizar para mover la puerta según sea necesario.

1. Pulse y mantenga pulsado el botón de ajuste (A) hasta que el botón ARRIBA (U) empiece a parpadear y/o se oiga un pitido.
2. Pulse y mantenga pulsado el botón ARRIBA (U) hasta que la puerta esté en la posición ARRIBA deseada.
3. Una vez que la puerta esté en la posición ARRIBA deseada, presione y suelte el botón de ajuste (A). Las luces del abridor de la puerta del garaje parpadearán dos veces y el botón ABAJO (D) comenzará a parpadear.
4. Pulse y mantenga pulsado el botón ABAJO (D) hasta que la puerta esté en la posición ABAJO deseada.
5. Una vez que la puerta esté en la posición ABAJO deseada, presione y suelte el botón de ajuste (A). Las luces del abridor de la puerta del garaje parpadearán dos veces y el botón ARRIBA (U) comenzará a parpadear.
6. Pulse y suelte el botón ARRIBA (U). Cuando la puerta se desplaza a la posición ARRIBA programada, el botón ABAJO (D) comenzará a parpadear.
7. Pulse y suelte el botón ABAJO (D). La puerta se desplazará a la posición ABAJO programada. La programación ha finalizado.

Si las luces del abridor de la puerta del garaje parpadean 5 veces durante los pasos para Programación del recorrido, el tiempo de programación ha finalizado. Si el monitor de tensión del cable no está instalado o detecta demasiada holgura en el cable, la luz del abridor de la puerta del garaje parpadeará 5 veces. Asegúrese de que el monitor de tensión del cable esté instalado correctamente y siga los pasos para Programación del recorrido. Si las luces del abridor de la puerta del garaje parpadean 10 veces durante los pasos para Programación del recorrido, las fotocélulas infrarrojas están desalineadas u obstruidas. Cuando los sensores estén alineados y despejados, haga que la puerta ejecute un ciclo completo de subida y bajada utilizando el mando a distancia o los botones ARRIBA y ABAJO. La programación ha finalizado. Si no puede operar la puerta hacia arriba y hacia abajo, repita los pasos para Programación del recorrido.

## 21 Comprobación del sistema de inversión de seguridad



Sin un sistema de inversión de seguridad instalado correctamente, las personas (especialmente los niños pequeños) pueden resultar GRAVEMENTE LESIONADAS o MORIR cuando se cierra la puerta del garaje. El sistema de inversión de seguridad se DEBE comprobar todos los meses. Después de hacer CUALQUIER ajuste, el sistema de inversión de seguridad se DEBE comprobar. La puerta DEBE invertirse al entrar en contacto con un objeto de 40 mm de altura en el suelo.

### COMPROBACIÓN

1. Con la puerta completamente abierta, coloque un tablero de 40 mm en el suelo, centrado debajo de la puerta del garaje.
2. Presione el pulsador del mando a distancia para cerrar la puerta. La puerta DEBE invertirse cuando haga contacto con el tablero.

### AJUSTE

Si la puerta se detiene pero no retrocede:

1. Revise las instrucciones de instalación proporcionadas para asegurarse de que se siguieron todos los pasos.
2. Repita la Programación del recorrido (véase el paso de ajuste 1 "Punto 20").
3. Repita la comprobación de inversión de seguridad.

Si la prueba sigue fallando, llame a un técnico cualificado en sistemas de puertas.

### COMPROBACIÓN DE SEGURIDAD IMPORTANTE:

Compruebe el sistema de inversión de seguridad después de:

- Cada ajuste de límites.
- Cualquier reparación o ajuste de la puerta (incluyendo resortes y herrajes).
- Cualquier reparación o deformación del suelo.
- Cualquier reparación o ajuste del abridor de la puerta del garaje.

## 22 Para abrir la puerta manualmente



A ser posible, utilice la manija de liberación de emergencia para desenganchar la puerta **SOLAMENTE** cuando la puerta del garaje esté **CERRADA**. Unos resortes flojos o rotos o una puerta desequilibrada pueden hacer que una puerta abierta caiga de forma rápida y/o imprevista. **NUNCA** use la manija de liberación de emergencia a menos que la puerta del garaje esté libre de personas y obstrucciones.

Desenganche cualquier cerradura de la puerta antes de continuar. La puerta debe estar completamente cerrada si es posible. Tire hacia abajo de la manija de liberación de emergencia hasta que se oiga un chasquido del abridor de la puerta y levante la puerta manualmente. Para volver a conectar la puerta al abridor de la puerta, tire de la manija de liberación de emergencia hacia abajo por segunda vez hasta que se escuche un chasquido del abridor de la puerta. La puerta se volverá a conectar en la siguiente operación ARRIBA o ABAJO.

### COMPROBACIÓN DE LA LIBERACIÓN DE EMERGENCIA

1. Asegúrese de que la puerta esté cerrada.
2. Tire de la manija de liberación de emergencia. La puerta debe poder abrirse manualmente.
3. Vuelva a colocar la puerta en posición cerrada.
4. Tire de la manija de emergencia por segunda vez.
5. Vuelva a conectar la puerta al abridor de la puerta.

## 23 Cómo usar el abridor de la puerta del garaje

### FUNCIONES

Su abridor de puerta de garaje está dotado de funciones que le ofrecen un mayor control sobre el funcionamiento de la puerta de su garaje.

### ALERTA DE CIERRE

La función Alerta de cierre proporciona una alerta visual de que se está cerrando una puerta sin vigilancia.

### TEMPORIZADOR DE CIERRE (TTC)

La función TTC cierra automáticamente la puerta después de un período de tiempo especificado que puede ajustarse utilizando un control de puerta habilitado para TTC (se requieren fotocélulas de modelo 771EV / 772E / 771EVK / G770E). Antes y durante el cierre de la puerta, las luces del abridor de la puerta del garaje parpadearán.

#### ACTIVACIÓN DEL TTC:

1. Presione y suelte el botón amarillo de programación (L) 4 veces.
2. El LED amarillo de programación se encenderá.
3. Ejecute un ciclo en OFF en incrementos de 1/5/10 minutos con las flechas ARRIBA (U) y ABAJO (D). El LED amarillo de programación parpadeará en la selección. Por ejemplo, si selecciona 5 minutos, el LED amarillo de programación parpadeará 5 veces como confirmación.
4. Pulse el botón de ajuste rectangular (A) para guardar el ajuste y salir del modo de programación TTC. Cuando la activación ha completado la función MyQ la luz LED remota parpadeará UNA vez como confirmación. Al programar la función TTC, debe pulsar el botón siguiente en un período de 30 segundos, de lo contrario, se abandonará la activación de TTC. Si el temporizador de programación expira, el TTC mantendrá la configuración anterior y la luz LED del mando a distancia MyQ parpadeará CINCO veces.

Para salir del modo de programación TTC incompleto, pulse y suelte el botón de programación (L) una vez más.

#### CAMBIO DE TIEMPO TTC:

1. Pulse el botón de programación (L) 4 veces.
2. Ejecute un ciclo en OFF en incrementos de 1/5/10 minutos con las flechas ARRIBA (U) y ABAJO (D). El LED amarillo de programación parpadeará en la selección.
3. Pulse el botón de ajuste rectangular (A) para guardar el ajuste y salir del modo de programación TTC.  
Cuando la activación se haya completado, la luz LED del mando a distancia MyQ parpadeará UNA vez a modo de confirmación.

#### DESACTIVACIÓN DEL TTC:

1. Pulse el botón amarillo de programación (L) 4 veces.
2. Pulse el botón de ajuste una vez para guardar la configuración.
3. Cuando se haya completado la desactivación, la luz LED remota MyQ parpadeará UNA VEZ como confirmación.  
Si el TTC está activo, el temporizador está realizando una cuenta atrás y se interrumpen los haces IR; el temporizador TTC se reiniciará.

### MYQ

MyQ le permite controlar el abridor de la puerta de su garaje desde su dispositivo móvil u ordenador desde cualquier lugar. La tecnología MyQ utiliza una señal de radio para proporcionar comunicación bidireccional entre el abridor de la puerta del garaje y los accesorios habilitados para MyQ. El abridor de la puerta de garaje tiene una puerta de enlace interna que permite que el abridor de la puerta de garaje se comunique directamente con una red Wi-Fi® doméstica y acceda a su cuenta MyQ.



## FOTOCÉLULAS INFRARROJAS

Cuando están correctamente conectadas y alineadas, las fotocélulas infrarrojas detectan una obstrucción en la trayectoria del haz infrarrojo. Si una obstrucción interrumpe el haz infrarrojo mientras la puerta se está cerrando, la puerta se detendrá y volverá a la posición completamente abierta, y las luces del abridor parpadearán 10 veces. Si la puerta está completamente abierta con fotocélulas infrarrojas instaladas y está desalineada, la puerta no se cerrará con un mando a distancia. Sin embargo, puede cerrar la puerta si mantiene presionado el botón del control de la puerta o la entrada sin llave hasta que la puerta esté completamente cerrada. Las fotocélulas infrarrojas no afectan al ciclo de apertura.

## AHORRO DE ENERGÍA

Para una mayor eficiencia energética, el abridor de la puerta del garaje entrará en modo de reposo cuando la puerta esté completamente cerrada. El modo de reposo apaga el abridor de la puerta del garaje hasta que se activa. El modo de reposo está secuenciado con la luz del abridor de la puerta del garaje; a medida que la luz se apaga, los LED del sensor se apagarán y siempre que las luces del abridor de la puerta del garaje se enciendan, los LED del sensor se encenderán. El abridor de la puerta del garaje no entrará en el modo de reposo hasta que el abridor de la puerta del garaje haya completado 5 ciclos al encenderse.

## LUCES

La luz del abridor de la puerta del garaje se encenderá cuando el abridor se enchufa inicialmente; la energía se restablece después de una interrupción, o cuando se activa el abridor de la puerta del garaje. La luz se apagará automáticamente después de 4-1/2 minutos.

## FUNCIÓN DE LUZ

El abridor de la puerta del garaje está equipado con una función adicional; las luces se encenderán cuando alguien entre por la puerta abierta del garaje y se interrumpa el haz infrarrojo. Deben estar instaladas fotocélulas infrarrojas 771EV / 772E / 771EVK / G770E para habilitar esta función.

## RESPALDO POR BATERÍA (OPCIONAL)

El sistema de respaldo por batería permite el acceso dentro y fuera de su garaje, incluso cuando no hay electricidad. Cuando el abridor de la puerta del garaje funciona con la energía de la batería, el abridor de la puerta del garaje se moverá más lentamente, la luz no funcionará, el LED de estado de la batería se iluminará de color naranja y sonará un pitido cada 2 segundos aproximadamente.

## CÓMO USAR EL ABRIDOR DE LA PUERTA DEL GARAJE

El abridor de la puerta de garaje puede activarse mediante un control de puerta montado en la pared, un mando a distancia, un acceso inalámbrico sin llave o un accesorio MyQ. Al accionar el abridor de puerta mediante mando a distancia o interruptor de pared:

- cierra la puerta cuando está completamente abierta
- abre la puerta cuando está completamente cerrada
- detiene la puerta si se está abriendo o cerrando
- la puerta se mueve en la dirección opuesta al último movimiento completado, si está parcialmente abierta.

Si la puerta detecta una obstrucción o se interrumpe durante la abertura, la puerta se detendrá. Si el abridor de la puerta del garaje detecta una obstrucción durante el cierre, la puerta se invertirá. Si la obstrucción interrumpe el haz del sensor, las luces del abridor de la puerta del garaje parpadearán 10 veces. Sin embargo, puede cerrar la puerta si mantiene presionado el botón del control de la puerta o la entrada sin llave hasta que la puerta esté completamente cerrada. Las fotocélulas infrarrojas no afectan al ciclo de apertura.

## ACTIVACIÓN DEL CONTADOR DE CICLOS Y PROCEDIMIENTO DE LECTURA:

1. Desconecte la alimentación de RJO para entrar en este modo.
2. Presione los botones Ajuste (A) y Programación (L) y manténgalos pulsados al restaurar la energía.
3. El LED del botón de flecha "ARRIBA" (U) del operador parpadeará UNA vez por cada mil ciclos COMPLETOS completados mientras se presionen y mantengan presionados los botones de Ajuste (A) y Programación (L). Por ejemplo, si el RJO ha realizado 8756 ciclos, el LED ARRIBA parpadeará 8 veces.

Para repetir la lectura, desconecte RJO de la alimentación y vuelva a iniciarlo.

**Transmisor de luz (con 78EV):** Permite programar un transmisor con la luz LED remota MyQ a través del control multifunción de pared.

Para programar un transmisor con la luz LED remota MyQ:

1. Mantenga pulsados los botones LIGHT & LOCK a la vez.
2. Mientras mantiene pulsados ambos botones, pulse y mantenga pulsado uno de los botones del transmisor hasta que la luz de funcionamiento de RJO parpadee una vez.
3. Después de que a luz de funcionamiento del abridor parpadee una vez, suelte todos los botones.

**Modo de vacaciones** (requiere el control de pared 78EV). Los mandos a distancia portátiles no funcionan si esta función está activada. Véanse las instrucciones del 78EV.

**Entrada sin llave** (requiere el teclado inalámbrico 747EV): Introduzca un código de 4 dígitos de su elección para operar la puerta.

**Acceso temporal** (requiere el teclado inalámbrico 747EV): Se puede programar un código temporal para permitir un acceso limitado al garaje (por tiempo o número de aperturas).

**Función de cierre con un botón** (requiere el teclado inalámbrico 747EV): Sin tener el código de acceso, la puerta puede cerrarse desde cualquier posición (no abierta).

## 24 Conexión con el smartphone

El abridor de puertas de garaje Wi-Fi® es compatible con hasta 16 accesorios habilitados para MyQ. Se pueden emparejar hasta 10 dispositivos con la puerta de enlace interna del abridor de puerta de garaje Wi-Fi. Estos dispositivos se pueden controlar con la aplicación MyQ. Estos dispositivos incluyen cualquier combinación de abridores de puerta de garaje MyQ, abridores de puerta de garaje Wi-Fi, luz MyQ, operadores de puerta MyQ. Una puerta de enlace de Internet LifiMaster (828EV) se puede agregar si necesita controlar más de 10 dispositivos utilizando la aplicación MyQ. Se pueden emparejar hasta 6 dispositivos con el propio abridor de la puerta de garaje (controlados por el abridor de la puerta de garaje). Estos dispositivos incluyen cualquier combinación de luz MyQ o un monitor para puertas de garaje y portones.

### Necesitará:

- Teléfono inteligente, tableta o portátil con conexión Wi-Fi
- Conexión a Internet de banda ancha
- Señal Wi-Fi en el garaje (2.4 Ghz, 802.11b/g/n requerido)
- Contraseña para la red doméstica (cuenta principal del enrutador, no para la red de invitados)
- Número de serie MyQ localizado en el abridor de la puerta del garaje
- Fococélulas infrarrojas (opcional)
- Luz LED remota MyQ (incluida en el volumen de suministro)

### SINCRONIZACIÓN DEL CONTROL DE PUERTA

Para sincronizar el control de la puerta 78EV con el abridor de la puerta de garaje, presione la barra de empuje hasta que se active el abridor de la puerta de garaje (puede tardar hasta 3 pulsaciones). El abridor de la puerta de garaje debe ejecutar un ciclo completo antes de activar la programación Wi-Fi.

### CONEXIÓN DEL ABRIDOR DE LA PUERTA DEL GARAJE A LA RED WI-FI DOMÉSTICA

1. Pulse y suelte el botón amarillo PROGRAMACIÓN (L) en el abridor de la puerta del garaje 3 veces. El abridor de la puerta del garaje pitará una vez. Tiene 20 minutos para completar el proceso de conexión.
2. En su dispositivo móvil, vaya a Ajustes > Wi-Fi y seleccione la red con el prefijo "MyQ".
3. Inicie el navegador web en su smartphone o tablet. Introduzca [setup.myqdevice.com](http://setup.myqdevice.com) en la barra de direcciones del navegador. Siga las instrucciones en pantalla para conectar el abridor de la puerta del garaje a su red Wi-Fi. Aparecerá en pantalla el número de serie MyQ. Escriba el número de serie en el espacio de abajo

4. Descargue la aplicación MyQ de la tienda App Store® o Google Play™. Regístrese para obtener su cuenta MyQ y añada el número de serie MyQ a su cuenta.

Para agregar un segundo abridor de puerta de garaje Wi-Fi, repita los pasos del 1 al 3. Añada el segundo número de serie de MyQ a su cuenta en la aplicación MyQ.

*NOTES: El MyQ Smartphone Control NO FUNCIONARÁ si el abridor de la puerta del garaje funciona con energía de la batería. Para borrar la configuración de Wi-Fi, consulte la página 15.*

Un LED (A) en el abridor de la puerta del garaje indicará el estado de Wi-Fi. Véase el cuadro siguiente:

LED	DEFINICIÓN
AZUL	Desactivado: la conexión Wi-Fi no está activada. Parpadeo: el abridor de la puerta del garaje está en modo de programación Wi-Fi. Iluminación permanente: dispositivo móvil conectado al abridor de la puerta del garaje.
AZUL Y VERDE	Parpadeo: intentando conectarse al router.
VERDE	Parpadeo: intentando conectarse al servidor de Internet. Iluminación permanente: se ha configurado la Wi-Fi y el abridor de la puerta del garaje está conectado a Internet.

---

## **25 Programación de su abridor y mando a distancia / El pulsador inalámbrico / Teclado inalámbrico (opcional)**

Active el abridor sólo cuando la puerta esté a plena vista, libre de obstrucciones y debidamente ajustada. Nadie debe entrar o salir del garaje mientras la puerta esté en movimiento. No permita que los niños accionen los botones o mandos a distancia. No permita que los niños jueguen cerca de la puerta. El receptor del abridor de la puerta del garaje y uno de los botones del mando a distancia están preprogramados. Si compra mandos a distancia adicionales, el abridor de la puerta del garaje debe programarse para aceptar el nuevo código remoto.

### **PROGRAMACIÓN DEL RECEPTOR PARA ACEPTAR MANDOS A DISTANCIA ADICIONALES:**

#### **USO DEL BOTÓN REDONDO AMARILLO**

1. Pulse y suelte el botón redondo amarillo (L) del abridor. La luz indicadora de programación se iluminará constantemente durante 30 segundos.
2. En un intervalo de tiempo de 30 segundos, pulse y mantenga pulsado el botón del mando a distancia manual con el que desea operar la puerta de su garaje.
3. Suelte el botón cuando la luz del abridor parpadee una vez. Ha aprendido el código. Ahora el abridor funcionará cuando se pulse el botón del mando a distancia. Si suelta el pulsador del mando a distancia antes de que la luz del abridor parpadee, el abridor no ha aprendido el código.

#### **ENTRADA SIN LLAVE**

1. Pulse y suelte el botón redondo amarillo (L) del abridor. La luz indicadora de programación se iluminará constantemente durante 30 segundos.
2. Introduzca un número de identificación personal (PIN) de 4 dígitos de su elección en el teclado de entrada sin llave.
3. A continuación, pulse el botón ENTER.
4. Las luces del abridor de la puerta del garaje parpadearán (o se oirán dos chasquidos) cuando se haya programado el código. Repita los pasos anteriores para programar mandos a distancia o dispositivos de entrada sin llave adicionales. Si la programación no tiene éxito, programe el mando a distancia usando el botón de programación.

#### **CÓMO BORRAR TODOS LOS CÓDIGOS DE MANDOS A DISTANCIA**

Para desactivar cualquier mando a distancia no deseado, primero borre todos los códigos: Pulse y mantenga presionado el botón redondo amarillo del abridor hasta que se apague la luz indicadora de programación (aproximadamente 10 segundos). Todos los códigos anteriores se han borrado. Reprograme cada mando a distancia o entrada sin llave que desee utilizar.

---

## **26 Programación de la luz LED remota MyQ**

La luz remota de su abridor de puerta de garaje ya ha sido programada en la fábrica para funcionar con su abridor. Cualquier luz remota adicional o de sustitución deberá ser programada.

### **PROGRAMACIÓN DE UN ABRIDOR DE PUERTA CON LA LUZ LED REMOTA MYQ:**

1. Pulse el botón APRENDIZAJE (L) en la luz hasta que el LED verde se encienda.
2. Pulse el botón PROGRAMACIÓN (L) del abridor de puerta.
3. El código se ha programado cuando la luz del mando a distancia parpadea una vez.

### **PROGRAMACIÓN DE UN MANDO A DISTANCIA CON LA LUZ LED REMOTA MYQ:**

4. Pulse el botón APRENDIZAJE (L) en la luz hasta que el LED verde se encienda.
5. Pulse el botón del mando a distancia con el que desea operar la luz.
6. El código se ha programado cuando la luz del mando a distancia parpadea una vez.

Para programar la luz con otros accesorios, consulte el manual de su accesorio.

### **AGREGACIÓN DE LA LUZ LED REMOTA MYQ A LA CUENTA MYQ**

7. Pulse el botón APRENDIZAJE (L) en la luz hasta que el LED verde se encienda.
8. Inicie sesión en la aplicación MyQ y añada la luz LED remota MyQ.

### **CÓMO BORRAR TODA LA PROGRAMACIÓN DE LA LUZ LED REMOTA MYQ**

1. Pulse y mantenga pulsado el botón PROGRAMACIÓN (L) hasta que el LED se apague (6-10 segundos). Toda la programación está ahora borrada.

---

## 27 Borrado de la memoria

### BORRADO DE TODOS LOS MANDOS A DISTANCIAS Y ENTRADAS SIN LLAVE

1. Pulse y mantenga pulsado el botón PROGRAMAR (L) del abridor de la puerta del garaje hasta que el LED de programación se apague (aproximadamente 6 segundos). Todos los códigos de mandos a distancia y de entradas sin llave están ahora borrados. Reprograme cualquier accesorio que desee usar.

### BORRADO DE TODOS LOS DISPOSITIVOS (INCLUIDOS ACCESORIOS HABILITADOS PARA MYQ)

1. Pulse y mantenga pulsado el botón PROGRAMAR (L) del abridor de la puerta del garaje hasta que el LED de programación se apague (aproximadamente 6 segundos).
2. Pulse inmediatamente y mantenga pulsado el botón PROGRAMACIÓN de nuevo hasta que se apague el LED de programación. Todos los códigos están ahora borrados. Reprograme cualquier accesorio que desee usar.

### BORRADO DE LA RED WI-FI DEL ABRIDOR DE LA PUERTA DEL GARAJE

1. Pulse y mantenga pulsado el botón de ajuste negro (A) del abridor de la puerta del garaje hasta que se escuchen 3 pitidos (aproximadamente 6 segundos).

### BORRADO DE UNA CUENTA MYQ

Vaya a [myliftmaster.eu](http://myliftmaster.eu) para eliminar su cuenta MyQ.

---

## 28 Mantenimiento del abridor de la puerta del garaje

### PROGRAMA DE MANTENIMIENTO

#### CADA MES

- Accione manualmente la puerta. Si está desequilibrada o atascada, llame a un técnico cualificado en sistemas de puertas.
- Verifique que la puerta se abra y cierre completamente. Ajuste los límites en caso necesario (véase el Punto 20 "Programación del recorrido").
- Repita la comprobación de inversión de seguridad. Realice los ajustes necesarios (véase el punto 21 "Comprobación del sistema de inversión de seguridad").

#### CADA AÑO

- Engrase los rodillos, cojinetes y bisagras de la puerta. El abridor de la puerta del garaje no requiere lubricación adicional. No engrase los rieles de la puerta.

#### LUZ LED REMOTA MYQ

- Desenchufe la luz antes de limpiarla.
  - Utilice un paño ligeramente humedecido para la limpieza.
  - NO utilice limpiadores líquidos en la lente de la lámpara.
- 

## 29 Sustitución de las pilas del mando a distancia

### Pila del mando a distancia:

Las pilas del mando a distancia tienen una vida útil extremadamente larga. Si el rango de transmisión disminuye, las pilas deben sustituirse. Las pilas no están cubiertas por la garantía.

### Tenga en cuenta las siguientes instrucciones para las pilas:

Las pilas no deben ser tratadas como basura doméstica. Todos los consumidores están obligados por ley a desechar las pilas correctamente en los puntos de recogida designados. Nunca recargue pilas que no estén concebidas para ser recargadas.

### ¡Peligro de explosión!

Mantenga las pilas fuera del alcance de los niños, no las cortocircuite ni las desmonte. Si se traga una pila, acuda al médico inmediatamente. Si fuera necesario,

limpie los contactos de las pilas y de los dispositivos antes de la carga. ¡Extraiga inmediatamente del dispositivo las pilas agotadas!

### ¡Riesgo de fuga incrementado!

No exponga nunca las pilas a un calor excesivo como el sol, el fuego o similares.

¡Existe un mayor riesgo de fuga!

Evite el contacto con la piel, los ojos y la mucosa. Enjuague las partes afectadas por el ácido de las pilas con abundante agua fría y consulte a un médico

inmediatamente. Utilice solo pilas del mismo tipo. Retire las pilas si el dispositivo no se va a utilizar durante mucho tiempo.

### Sustitución de las pilas:

Para cambiar la pila, gire el mando a distancia y abra la carcasa con un destornillador. Levante la cubierta y la placa de control por debajo. Desplace la pila a un lado y retírela. ¡Preste atención a la polaridad de la pila! Colóquela de nuevo en sentido inverso.

### ¡ATENCIÓN!

Peligro de explosión en caso de cambio inadecuado de la pila. Sustitución únicamente por un tipo idéntico o equivalente (CR2032) 3V

## 30 Eliminación

El embalaje debe desecharse en los contenedores reciclables locales. De acuerdo con la Directiva europea 2002/96/CE sobre residuos de aparatos eléctricos, este dispositivo debe eliminarse adecuadamente después de su uso para garantizar el reciclaje de los materiales utilizados.



Las pilas y acumuladores usados no deben desecharse en la basura doméstica, ya que contienen contaminantes y deben desecharse adecuadamente en los puntos de recogida municipales o en los contenedores proporcionados por el distribuidor. Deben observarse las normas específicas de cada país. Los componentes deben desecharse adecuadamente a través de una empresa pública especializada en la eliminación de residuos. Deben cumplirse las normativas locales y específicas de cada país. Todos los componentes del accionamiento puestos fuera de servicio no deben desecharse en la basura doméstica.

La autoridad competente (ciudad, pueblo) o su empresa de eliminación le informará sobre las posibilidades de esta eliminación.

## 31 Tabla de diagnóstico

Su abridor de puerta de garaje está programado con capacidades de autodiagnóstico.

Las flechas ARRIBA y ABAJO del abridor de la puerta de garaje indican los códigos de diagnóstico.

CÓDIGO DE DIAGNÓSTICO		SÍNTOMA	SOLUCIÓN
Flecha Arriba Parpadeo(s)	Flecha Abajo Parpadeo(s))		
1	1	El abridor de la puerta del garaje no se cierra y la luz parpadea.	Si hay instaladas fotocélulas infrarrojas, es posible que no estén conectadas o que los cables estén cortados. Inspeccione los cables del sensor en busca de cables desconectados o cortados.
1	2	El abridor de la puerta del garaje no se cierra y la luz parpadea.	Hay un cable cortocircuitado o invertido para las fotocélulas infrarrojas. Inspeccione el cable de las fotocélulas en todos los puntos de grapado y puntos de conexión y reemplace el cable o corrija según sea necesario.
1	3	El control de la puerta no funciona.	Los cables para el control de la puerta están cortocircuitados o el control de la puerta está defectuoso. Inspeccione los cables del control de la puerta en todos los puntos de grapado y puntos de conexión y reemplace el cable o corrija según sea necesario.
1	4	El abridor de la puerta del garaje no se cierra y la luz parpadea.	Si hay fotocélulas infrarrojas instaladas, entonces están desalineadas u obstruidas momentáneamente. Vuelva a alinear ambos sensores para asegurarse de que ambos LED se iluminen de forma permanente y no parpadeen. Asegúrese de que no haya nada colgando o montado en la puerta que pueda interrumpir la trayectoria de los sensores durante el cierre.
1	5	La puerta se mueve 15 20 cm, se detiene o se invierte.	Abra y cierre la puerta manualmente. Compruebe si hay obstrucciones o atascos, como un resorte o una cerradura de puerta rotos, corrija según sea necesario. Compruebe las conexiones de cables en el módulo de desplazamiento y en la tarjeta lógica. Reemplace el módulo de desplazamiento si es necesario.
1	5	No hay movimiento, solo se oye un chasquido.	Abra y cierre la puerta manualmente. Compruebe si hay obstrucciones o atascos, como un resorte o una cerradura de puerta rotos, corrija según sea necesario. Reemplace la tarjeta lógica si es necesario.
1	5	El abridor zumba durante 1-2 segundos, no hay movimiento	Abra y cierre la puerta manualmente. Compruebe si hay obstrucciones o atascos, como un resorte o una cerradura de puerta rotos, corrija según sea necesario. Reemplace el motor si es necesario.
1	6	La puerta se desliza después de haberse detenido por completo.	Programa el recorrido hasta la posición de deslizamiento o encargue a un técnico instruido que equilibre la puerta.
2	1-5	No hay movimientos o sonidos.	Reemplace la tarjeta lógica.
3	1	El abridor de la puerta del garaje se mueve ligeramente y luego se detiene.	Vuelva a activar el abridor de la puerta del garaje. Si el problema persiste, reemplace la tarjeta lógica.
3	3	El LED de estado de la batería parpadea constantemente en verde.	Error en el circuito de carga de respaldo por batería, reemplace la tarjeta lógica.

CÓDIGO DE DIAGNÓSTICO		SÍNTOMA	SOLUCIÓN
Flecha Arriba Parpadeo(s)	Flecha Abajo Parpadeo(s))		
3	5	El abridor de la puerta del garaje no se cierra o la puerta se invierte durante el recorrido.	Si se instalaron previamente dos monitores de tensión de cable y se ha quitado uno, desenchufe y enchufe el abridor tres veces para volver a programar el monitor con el abridor. • Compruebe si hay posibles obstrucciones en la puerta y retírelas. • Compruebe que el monitor de tensión de cable está conectado correctamente al abridor. • Reemplace el monitor de tensión del cable.
4	1-4	La puerta se está moviendo y se detiene o se invierte.	Abra y cierre la puerta manualmente. Compruebe si hay obstrucciones o atascos, como un resorte o una cerradura de puerta rotos, corrija según sea necesario. Si la puerta se atasca u obstruye, póngase en contacto con un técnico cualificado en sistemas de puertas. Si la puerta no se atasca u obstruye, intente reprogramar el recorrido.
4	5	El abridor se mueve aproximadamente 15-20 cm, se detiene y se invierte.	Error de comunicación con el módulo de desplazamiento. Compruebe las conexiones del módulo de desplazamiento, sustituya el módulo si es necesario.
4	6	El abridor de la puerta del garaje no se cierra y la luz parpadea.	Las fotocélulas infrarrojas están desalineadas o se han obstruido momentáneamente. Vuelva a alinear ambos sensores para asegurarse de que ambos LED se iluminen de forma permanente y no parpadeen. Asegúrese de que no haya nada colgando o montado en la puerta que pueda interrumpir la trayectoria del sensor durante el cierre.
5	5	La puerta no se cerrará cuando se utilice el temporizador de cierre (TTC) o MyQ Smartphone Control.	La luz LED remota MyQ debe estar instalada para usar el TTC o MyQ para controlar la puerta. Enchufe la luz LED remota MyQ y asegúrese de que esté programada en el abridor de la puerta del garaje.

## 32 Resolución de problemas

### El abridor de la puerta del garaje no funciona desde el control de puerta ni desde el mando a distancia:

- ¿El abridor de la puerta del garaje tiene energía eléctrica? Enchufe una lámpara en la toma de corriente. Si no se enciende, revise la caja de fusibles o el disyuntor. (Algunas tomas de corriente se controlan con un interruptor de pared).
- ¿Ha desactivado todas las cerraduras de la puerta? Revise las advertencias de las instrucciones de instalación en la página 5.
- ¿Son correctas las conexiones de cables?
- ¿Se acumula hielo o nieve debajo de la puerta? La puerta puede estar congelada en el suelo. Elimine cualquier restricción.
- El resorte de la puerta del garaje puede estar roto. Reemplácelo (véase el punto 3 Planificación).

### El abridor de puerta funciona desde la estación de control de un solo botón, pero no desde un mando a distancia:

- Reprograme el mando a distancia y sustituya la pila si es necesario. Repita el procedimiento con todos los mandos a distancia.

### La puerta se abre y se cierra sola:

- Asegúrese de que todos los botones del mando a distancia estén apagados.
- Retire el cable de timbre de los terminales de la estación de control de un solo botón y opere desde el mando a distancia solamente. Si esto resuelve el problema, la estación de control de un solo botón está defectuosa, o hay un cortocircuito intermitente en el cable. Reemplace la estación de control.
- Borre la memoria y re programe todos los mandos a distancia (consulte las instrucciones suministradas con el mando a distancia o visite LiftMaster.eu).

### Mi mando a distancia no activa la puerta del garaje:

- Verifique que la función de bloqueo no esté activada en el control de la puerta.
- Reprograme el mando a distancia.
- Si el mando a distancia sigue sin activar la puerta, compruebe los códigos de diagnóstico para asegurarse de que el abridor de la puerta del garaje funciona correctamente.

**El mando a distancia tiene un alcance corto:**

- Cambie la ubicación del mando a distancia en su coche.
- Algunas instalaciones pueden tener un alcance más corto debido a una puerta de metal, un aislamiento con respaldo de lámina o un revestimiento metálico para garaje.

**La puerta no se abre completamente:**

- Compruebe la cerradura eléctrica de la puerta.
- ¿Hay algo que obstruya la puerta? ¿Está desequilibrada o están rotos los resortes? Elimine la obstrucción o repare la puerta.

**La puerta se abre pero no se cierra:**

- Compruebe que el monitor de tensión de cable esté correctamente instalado. Si se ha quitado un segundo monitor de tensión de cable, siga las instrucciones para volver a programar un monitor de tensión de cable único (véase el punto 14).
- Las fotocélulas infrarrojas deben estar conectadas y alineadas correctamente antes de que el abridor de puerta se mueva hacia abajo. Si puede cerrar la puerta con presión constante, verifique que las fotocélulas infrarrojas estén correctamente instaladas, alineadas y libres de obstrucciones.
- Si las luces del abridor de la puerta del garaje parpadean, revise las fotocélulas infrarrojas.
- Si las luces del abridor de la puerta del garaje no parpadean y se trata de una instalación nueva (véase el punto 14). Para una instalación existente, véase a continuación.

Repita la comprobación de inversión de seguridad después de completar el ajuste.

**La puerta se invierte sin razón aparente y las luces del abridor de la puerta del garaje no parpadean:**

- Si se retira uno de los monitores de tensión de cable, desenchufe ambos monitores del abridor. A continuación, conecte el monitor que desee utilizar y desenchufe y conecte el abridor tres veces para reprogramar el monitor con el abridor. La resistencia 1k proporcionada es únicamente para resolver problemas en la configuración del CTM. Conforme a la EN12453, el monitor de tensión de cable debe estar instalado para una correcta detección de holgura de cable.
- ¿Hay algo que obstruya la puerta? Tire de la manija de liberación de emergencia. Accione la puerta manualmente. Si está desequilibrada o atascada, llame a un técnico cualificado en sistemas de puertas.
- Limpie el hielo o la nieve del área del suelo del garaje donde se cierra la puerta.
- Revise el punto 20.

Repita la comprobación de inversión de seguridad después de los ajustes.

**Mi puerta no se cierra y la luz parpadea:**

- Las fotocélulas infrarrojas deben estar conectadas y alineadas correctamente antes de que el abridor de la puerta del garaje se mueva hacia abajo.
- Verifique que las fotocélulas infrarrojas estén correctamente instaladas, alineadas y libres de obstrucciones.

**Al abridor de la puerta del garaje le cuesta accionar la puerta:**

- La puerta puede estar desequilibrada o los resortes pueden estar rotos. Cierre la puerta y utilice la manija de liberación de emergencia para desconectar la puerta. Abra y cierre la puerta manualmente. Una puerta correctamente equilibrada permanecerá en cualquier punto del recorrido mientras es soportada completamente por sus resortes. Si no es así, desconecte el abridor de la puerta del garaje y llame a un técnico cualificado en sistemas de puertas.

**El motor del abridor de la puerta del garaje zumba brevemente y luego no funciona:**

- Los resortes de la puerta del garaje pueden estar rotos. Véase más arriba.
- Si el problema ocurre en la primera operación del abridor de la puerta del garaje, la puerta puede estar bloqueada. Desactive la cerradura eléctrica de la puerta

**El abridor de la puerta del garaje no funciona debido a un corte de energía:**

- Abra manualmente la cerradura de puerta eléctrica.
- Utilice la manija de liberación de emergencia para desconectar la puerta. La puerta se puede abrir y cerrar manualmente. Cuando se restablezca la energía, tire del desbloqueo manual por segunda vez.
- Desactive cualquier cerradura de puerta. Utilice la manija de liberación de emergencia para desconectar la puerta. La puerta se puede abrir y cerrar manualmente.

**La puerta pierde sus límites:**

- El casquillo no está bien apretado. Apriete el casquillo y re programe los límites (véase el punto 20).

**El abridor de la puerta del garaje se mueve cuando la puerta está en funcionamiento:**

- Algunos movimientos leves son normales para este producto. Si es excesivo, el casquillo se desgastará prematuramente.
- Compruebe que la barra de torsión no se mueve excesivamente hacia la izquierda/derecha.
- Compruebe que la barra de torsión no se mueve visiblemente hacia arriba y hacia abajo mientras gira.
- Compruebe que el abridor esté montado en ángulo recto con el eje secundario. Si no es así, mueva la posición del soporte de montaje.

**El conector de la cerradura de puerta automática no se ajusta al enchufe del abridor de la puerta:**

- Las cerraduras de puerta antiguas de 24V son incompatibles. Utilice la cerradura automática de puerta modelo 841EU, véase la página Accesorios

**la cerradura automática de la puerta de garaje no se activa cuando la puerta de garaje se abre o se cierra:**

- En el modo de respaldo por batería, la cerradura automática de la puerta del garaje se desbloqueará cuando se abra la puerta del garaje y permanecerá desactivada hasta que se restablezca el suministro eléctrico.

**El abridor de puerta emite un pitido:**

- Indica cierre sin supervisión. El abridor ha sido activado por la aplicación MyQ o por el monitor para garaje y portón.
- Un LED de color naranja permanente con un pitido, que suena aproximadamente cada 2 segundos, indica que el abridor de puerta está funcionando con energía de la batería.
- Un LED naranja parpadeante con un pitido, que suena cada 30 segundos, indica que el nivel de la batería es bajo.
- Un LED rojo permanente con un pitido, que suena cada 30 segundos, indica que la batería de 12V ya no tiene carga y que debe sustituirse.

**La puerta del garaje emite un pitido y el LED rojo parpadea:**

La carga de la batería está baja o la batería está

- Sustituya la batería.

**La aplicación MyQ Smartphone Control, los dispositivos MyQ inalámbricos y el temporizador de cierre (TTC) no funcionan:**

- En modo de respaldo por batería, la aplicación MyQ Smartphone Control, los dispositivos MyQ inalámbricos y el temporizador de cierre se desactivarán.
- La luz LED remota MyQ debe estar instalada para poder usar el temporizador de cierre o la aplicación MyQ Smartphone Control de la puerta. Enchufe la luz LED remota MyQ y asegúrese de que esté programada en el abridor de la puerta del garaje. La activación del temporizador de cierre y de MyQ Smartphone Control puede tardar hasta 5 minutos.



### 33 Accesorios opcionales

Utilice siempre accesorios de LiftMaster.

Los productos externos pueden causar fallos de funcionamiento.

1.	TX4UNIF	Mando a distancia universal de 4 canales
2.	TX4EVS	Mando a distancia de 4 canales
3.	TX4UNI/S	Mando a distancia universal de 4 canales
4.	128EV	Control de pared inalámbrico de 2 canales
5.	747EV	Teclado
6.	78EV	Control de pared multifuncional por cable
7.	FLA-1LED	Luz de destellos
8.	772E	Fotocélulas
9.	100034	Interruptor de llave (montaje a ras)
10.	100041	Interruptor de llave (montaje sobre superficie)
11.	829EV	Monitor de puerta de garaje
12.	485EU	Batería de respaldo
13.	827EV	Luz LED remota MyQ
14.	041A9264	Monitor de tensión de cable
15.	841EU	Cerradura de puerta automática

### 34 Datos técnicos

Tensión de entrada	230-240 V CA, 50 Hz
Par máx.	36 Nm - AC + BATERÍA 29 Nm - AC
Par nominal	10 Nm
Potencia	150 W
Potencia en modo de reposo	2,6 W
Tipo de motor	Motorreductor de CC, lubricación permanente
Nivel de ruido	57 dB
Velocidad de desplazamiento	21 rpm (abajo), 36 rpm (arriba)
Seguridad personal	Pulsador y parada automática en sentido descendente. Pulsador y parada automática en sentido ascendente.
Electrónica	Ajuste de fuerza automático
Electricidad	Protector de sobrecarga del transformador y cableado de pulsadores de baja tensión.
Dispositivo de límite	Detector óptico de RPM/Passpoint
Ajuste de límite	Electrónico, semiautomático y totalmente automático.
Circuito de inicio	Circuito de pulsador de baja tensión.
Altura de puerta máx.	3 m
Ancho de puerta máx.	5,5 m
Área de puerta máx.	16,5 m <sup>2</sup>
Peso de puerta máx.	130 kg
Peso suspendido	11 kg
Registros de memoria del receptor	64
Frecuencia de funcionamiento	433 / 868 MHz, 2,4 GHz

## 35 Guía de seguridad y mantenimiento del abridor de puerta de garaje automático

### SEGURIDAD DEL ABRIDOR DE PUERTA DE GARAJE – UNA DECISIÓN AUTOMÁTICA

Una puerta de garaje es el objeto móvil más grande de la casa. Una puerta de garaje y un abridor mal ajustados pueden ejercer una fuerza mortal cuando la puerta se cierra, lo que podría provocar el aprisionamiento de niños o adultos y, en consecuencia, lesiones o la muerte.

La instalación, la operación, el mantenimiento y la comprobación adecuados de la puerta del garaje y el abridor automático son necesarios para proporcionar un sistema seguro y sin problemas. La operación descuidada o permitir que niños jueguen o usen los controles del abridor de la puerta del garaje también son situaciones peligrosas que pueden llevar a resultados trágicos. Unas simples precauciones pueden proteger a su familia y amigos de posibles daños. Revise detenidamente los consejos de seguridad y mantenimiento de este folleto y guárdelo como referencia. Compruebe el funcionamiento de la puerta del garaje y del abridor para asegurarse de que funcionan de forma segura y sin problemas. Asegúrese de leer toda la información de seguridad importante que se encuentra en el manual del abridor de la puerta de garaje, ya que proporciona más detalles y consideraciones de seguridad que las que se pueden suministrar con este folleto.

Los abridores de puertas de garaje no son juguetes

Hable sobre la seguridad de la puerta del garaje y del abridor con sus hijos. Explique el peligro de quedar atrapado bajo la puerta.



**Manténgase alejado de una puerta en movimiento.**



**Mantenga los transmisores y mandos a distancia fuera del alcance de los niños.** No permita que niños jueguen o utilicen transmisores u otros dispositivos de control remoto.



**El pulsador montado en la pared debe estar fuera del alcance de los niños,** al menos a 5 pies de la superficie de apoyo más cercana y lejos de todas las piezas móviles. Monte y use el botón donde pueda ver claramente el cierre de la puerta del garaje.



**Mantenga la puerta a la vista hasta que se cierre completamente** cuando utilice el pulsador de pared o el transmisor.

## 36 Un mantenimiento rutinario puede prevenir tragedias

Haga que la inspección y las comprobaciones mensuales de la puerta del garaje y del sistema de abridor formen parte de su rutina habitual. Revise su manual del propietario tanto para la puerta como para el abridor de la puerta. Si no tiene los manuales del propietario, póngase en contacto con el fabricante y solicite una copia para sus modelos específicos. Busque el número de modelo del abridor en la parte posterior de la unidad de motor.



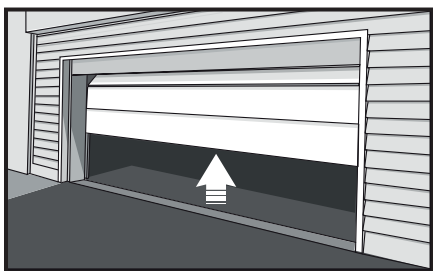
**ADVERTENCIA – Los resortes se encuentran bajo una tensión elevada. Solo deben ser ajustados por personas cualificadas.**

### Revise visualmente la puerta y la instalación:



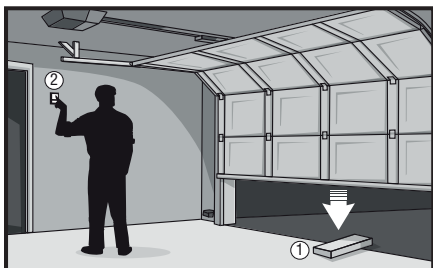
- Comenzando con la puerta en posición cerrada, utilice el desconectador manual del abridor para desconectar la puerta.
- Busque señales de desgaste o daños en las bisagras, rodillos, resortes y paneles de las puertas.
- Estas piezas pueden requerir lubricación periódica. Revise el manual del propietario para el mantenimiento sugerido.
- Si hay signos evidentes de daños, póngase en contacto con un técnico instruido en sistemas de puertas para obtener asistencia.
- Verifique que la altura de la fotocélula no esté a más de 6" del suelo del garaje.

### Comprobación del funcionamiento correcto de la puerta:



- Abra y cierre la puerta manualmente mediante tiradores o puntos de agarre adecuados.
- La puerta debe moverse libremente y sin dificultad.
- La puerta debe estar equilibrada y permanecer parcialmente abierta 3-4 pies sobre el piso.
- Si detecta algún signo de funcionamiento incorrecto, póngase en contacto con un técnico instruido en sistemas de puertas para obtener ayuda.

### Comprobación de las características de seguridad del abridor:



- Vuelva a conectar el abridor a la puerta usando el desconectador manual y abra la puerta.
- Coloque un tablero de 40 mm de alto plano en la trayectoria de la puerta (1) y trate de cerrarla (2). La puerta debe detenerse cuando entra en contacto con el tablero y luego invertir la dirección.
- Bloquee el sensor de la fotocélula agitando un objeto delante del sensor e intente cerrar la puerta. La puerta no debe cerrarse a menos que el pulsador montado en la pared se mantenga presionado manualmente durante el funcionamiento.
- Si el abridor no funciona como se describe, póngase en contacto con un técnico instruido en sistemas de puertas para obtener asistencia.

## Megjegyzés:

Az eredeti telepítési és kezelési útmutató az angol nyelvű változat.

Az útmutató minden más nyelvű példánya csak az eredeti angol nyelvű változat fordítása.

<b>1</b>	Általános biztonsági tudnivalók .....	2
<b>2</b>	Rendeltetésszerű használat .....	3
<b>3</b>	Az ajtó működésének megtervezése .....	3
<b>4</b>	Gondoskodás a MyQ működésről .....	3
<b>5</b>	A garázsajtó előkészítése .....	4
<b>6</b>	Szükséges szerszámok .....	4
<b>7</b>	Szállítási terjedelem .....	4
<b>8</b>	Szükséges tartozékok .....	4
<b>9</b>	Csatlakoztassa a karimát a garázsajtónyitóhoz .....	5
<b>10</b>	Csatlakoztassa a szerelőkengyelt a garázsajtónyitóhoz .....	5
<b>11</b>	A garázsajtónyító illesztése és felszerelése .....	5
<b>12</b>	Csatlakoztassa a vészkioldó kötelet és a kart .....	5
<b>13</b>	Az automata ajtózárra telepítése .....	6
<b>14</b>	Csatlakoztassa a kötelezően telepítendő kábelfeszesség-figyelőt (041A9264) (kötelező tartozék) .....	6
<b>15</b>	Telepítse a MyQ Remote LED világítást (designed for dry areas only) .....	7
<b>16</b>	Villamos csatlakoztatás .....	7
<b>17</b>	A fotocellák telepítése .....	8
<b>18</b>	Az áramellátás csatlakoztatása .....	9
<b>19</b>	A segédakkumulátor telepítése (opcionális tartozék) .....	9
<b>20</b>	Az út beprogramozása .....	10
<b>21</b>	A biztonsági visszafordító rendszer ellenőrzése .....	10
<b>22</b>	Az ajtó kézi nyitása .....	11
<b>23</b>	A garázsajtónyító használata .....	11
<b>24</b>	Kapcsolódás okostelefonról .....	13
<b>25</b>	A nyitó és a távirányító, a vezeték nélküli nyomógomb, illetve a vezeték nélküli billentyűzet (opcionális) beprogramozása .....	14
<b>26</b>	A MyQ Remote LED világítás beprogramozása .....	14
<b>27</b>	A memória törlése .....	15
<b>28</b>	A garázsajtónyító karbantartása .....	15
<b>29</b>	A távirányító akkumulátorcseréje .....	15
<b>30</b>	Ártalmatlanítás .....	16
<b>31</b>	Diagnosztikai táblázat .....	16
<b>32</b>	Hibaelhárítás .....	18
<b>33</b>	Opcionális kiegészítők .....	20
<b>34</b>	Műszaki adatok .....	20
<b>35</b>	Automata garázsajtónyító biztonsági és karbantartási útmutató .....	21
<b>36</b>	Az időszakos karbantartással megelőzhető tragédiák .....	22

# FIGYELEM!

## ELŐSZÖR OLVASSA EL EZEKET A FONTOS BIZTONSÁGI UTASÍTÁSOKAT!

### 1 Általános biztonsági tudnivalók

Mielőtt hozzáfogna a telepítéshez:

Kérjük, olvassa el a kezelési utasításokat, különösképpen az óvintézkedéseket! Őrizze meg az útmutatót, hogy a jövőben bármikor belenézhesen, és ha a készüléket továbbadja, ne felejtse az útmutatót is továbbadni az új tulajdonosnak. A következő szimbólumok a személyi sérülések vagy dologi károk elkerülését célzó utasítások előtt lettek feltüntetve. Alaposan olvassa el ezeket az utasításokat.



#### VIGYÁZAT

Személyi sérülés vagy dologi kár veszélye



#### VIGYÁZAT

Áramerősség vagy feszültség miatti veszély

#### Fontos biztonsági tudnivalók

Bár az automata ajtónyitó rendszert természetesen biztonságos üzemelésre terveztük, és biztonságos használatát bevizsgáltuk, a biztonság csak úgy biztosítható, ha a telepítés és a használat során szigorúan betartja az alább felsorolt biztonsági utasításokat. Ezt a terméket csak szakképzett garázsajtó-szerelő technikus telepítheti. Előfordulhat, hogy a terméket hozzá kell állítani az ajtórugókhöz és/vagy sinkonfigurációkhoz. A termék nem használható alacsony belmagasságú síneket és külső csőrőlódbot használó rendszerekben, illetve rugós rásegítésű garázsajtókon.

- A telepítést végző személynek (szakember), mielőtt munkához látna, gondosan el kell olvasnia és meg kell értenie ezen utasításokat. Az első használat előtt, de legalább évente egyszer szakemberrel át kell nézetni a segéderővel működtetett ablakokat, ajtókat és kapukat, hogy biztonságosak-e. A szakember olyan személy, aki a műszaki képzettségének és tapasztalatainak birtokában elegendő tudással rendelkezik a segéderővel működtetett ablakok, ajtók és kapuk területén, továbbá ismeri a vonatkozó országos munkavédelmi előírásokat és általánosan elfogadott technológiai szabványokat annyira, hogy képes legyen megbecsülni a segéderővel működtetett ablakok, ajtók és kapuk biztonságos munkakörülményeit.
- A telepítést végző személynek ismernie kell a következő szabványokat: EN 13241, EN 12604, EN 12453. A képzett szakembernek/szakértőnek tájékoztatnia kell a kezelőt a következőkről: - A meghajtó működéséről és annak veszélyeiről - Az kézi vezérlésű vészkioldó szerkezet használatáról - A rendszeres karbantartásról, ellenőrzésről és ápolásról, valamint a kezelő feladatairól - A kezelőnek tájékoztatnia kell a többi felhasználót a meghajtó működéséről. A meghajtó sikeres telepítését követően a telepítésért felelős személynek a 2006/42/EK gépirányelv szerint az ajtónyitó rendszerre vonatkozóan EK-megfelelőségi nyilatkozatot kell kiadnia. Az ajtónyitó rendszert CE-jelzéssel és adattáblával kell ellátni. Ez akkor is kötelező, amikor a rendszert kézi nyitású ajtó modernizálására használják. Ezenkívül egy átvételi nyilatkozatot és egy vizsgálati jegyzőkönyvet is ki kell tölteni.
- Az ajtót ki kell egyensúlyozni. A nem mozdítható vagy beragadt ajtókat meg kell javítani. Kiegyensúlyozatlan állapotban a garázsajtók, ajtórugók, kábelek, tárcsák, kengyelek és sínek rendkívül feszített állapotban vannak, ami súlyos sérülést okozhat. Ne próbálja megmozdítani vagy újraelleszteni az ajtót, hanem forduljon a szervizközpontoz vagy ajtószereelő-szakemberhez.
- Ajtónyitó telepítése, illetve karbantartása során nem szabad ékszert, órát vagy laza ruházatot viselni.
- A rácsukodás miatti súlyos személyi sérülés elkerülése érdekében az ajtónyitó telepítése előtt távolítson el minden, az ajtóhoz csatlakozó kábelt és láncot.
- A telepítés és elektromos csatlakoztatás közben be kell tartani a helyi építési és villamossági előírásokat.
- Az EN 12453 szabvány szerint kötelező kábelfeszesség-figyelőt felszerelni.
- A nagyon könnyű szerkezetű ajtók (pl. üvegszálás, alumínium- vagy acélajtók) sérülésének elkerülése érdekében az ajtót megfelelő merevítés-sel kell ellátni. A kivételzéssel kapcsolatosan forduljon az ajtó gyártójához.
- Az automatikus biztonsági visszafordító rendszer megfelelő működését ellenőrizni kell. Nemelyben a talajtól 40 mm-re az ajtó akadályba ütkö-zik, a garázsajtónak vissza KELL témie nyitott állapotba. Az ajtónyitó nem megfelelő beállítása esetén a garázsajtó becsukása súlyos személyi sérüléshez vezethet. Havonta végezze el ezt az ellenőrzést, és végeztesse el a szükséges módosításokat.
- A rendszer nem telepíthető páras vagy nedves területeken.
- A működése közben az ajtó semmilyen körülmények között sem akadályozhatja a közúti autó- és gyalogosforgalmat.
- A biztonságos használatra történő figyelemfelhívás érdekében megvilágított fali kapcsoló mellett egy, a gyermekek védelmére figyelmeztető jelzést is el kell helyezni. A beszorulás veszélyére figyelmeztető jelzést egyértelműen látható helyen kell elhelyezni.
- A gyerekeket figyelni kell, hogy ne hagyják játszani a készülékkel. Ne hagyja, hogy gyermekek működtessék a nyomógomb(ka)t vagy a távirányító(ka)t.
- A készüléket a testileg, érzékszervileg vagy szellemileg korlátozott, illetve nem hozzáértő és/vagy a készüléket nem ismerő személyek csak a biztonságukért felelős személyek felügyelete mellett használhatják, vagy ha betanították őket annak használatára.
- Az ajtó sérülésének elkerülése érdekében minden akadályt el kell távolítani és minden reteszeltést ki kell oldani.
- Szükség esetén a telepített vezérlőberendezést az ajtó látótávolságában KELL felszerelni, gyermekek által nem elérhető módon. A gyermekek nem nyomogathatják a gombokat, illetve nem használhatják a távvezérlőt. Az ajtónyitó nem megfelelő használata súlyos sérüléshez vezethet.
- Az ajtónyitót CSAK akkor szabad működtetni, ha a kezelő az ajtó területét teljes mértékben látja, és meggyőződött arról, hogy az ajtó nincs akadályozva, valamint hogy az ajtónyitó megfelelően van beállítva. A mozgó ajtón tilos az áthaladás! A gyermekek nem játszhatnak az ajtó közelében.
- A kézi kioldás funkciót csak a szán meghajtóról való leválasztására és – lehetőleg – csak az ajtó becsukott állapotában használja. Ne használja a piros kart az ajtó felemelésére vagy lehúzására.
- A javítási műveletek vagy a burkolatok eltávolítása előtt az ajtónyitót le kell választani az áramellátásról. A javítást és elektromos csatlakoztatást csak képesített villanyszerelő végezheti.

- A termék speciális villamos vezetékkel ellátott transzformátorral rendelkezik. Ha tönkremenne, képesített technikussal eredeti transzformátorra le KELL cseréltetni.
- A vérszkioldó működtetése az ajtó szabályozatlan mozgását eredményezheti, ha a rugók gyengék vagy törtek, illetve ha az ajtó nincs kiegyensúlyozva.
- A vérszkioldó kart 1,80 méternél alacsonyabban szerelje föl.
- Az időzített zárás (TTC) funkció, a MyQ Smartphone Control okostelefonos alkalmazás, és a MyQ Garage Door and Gate Monitor nem kívánt becsukást okozhatnak, és CSAK szekcionált ajtóknál használhatók. Minden olyan készülék vagy funkció, mely látótávolságon kívülről történő ajtóbecsukást kezdeményez, nem kívánt zárást kezdeményező szerkezetnek tekintendő. Az időzített becsukás (TTC) funkció, a MyQ Smartphone Control okostelefonos alkalmazás, és minden más MyQ eszköz CSAK szekcionált ajtóknál használható.
- A hajtószervezet nem használható, ha a garázsajtóba átjáróajtó van beépítve.

Örizzze meg ezt az útmutatót.

## 2 Rendeltetészerű használat

A készülék torziós rudat és rugókat használó ajtók nyitására és csukására lett tervezve (lásd a „Tervezés” című 3. fejezetet). A készülék nem használható kereskedelmi célból, hanem csak és kizárólag egyetlen háztartáshoz tartozó garázsajtó magáncélú használatára. A meghajtó nem megfelelő használata növelheti a balesetek kockázatát. A gyártó nem vállal felelősséget az ilyen használatért. A meghajtóhoz csak eredeti LiftMaster tartozékok csatlakoztathatók. A meghajtóval használt automata nyitítású ajtóknak meg kell felelniük az érvényben lévő nemzetközi és országos, valamint helyi szabványoknak, irányelveknek és előírásoknak (EN 13241, EN 12453 és EN 12604).

## 3 Az ajtó működésének megtervezése

Vizsgálja meg a területet, hogy az alábbi körülmények vonatkoznak-e az Ön telepítésére.

Az Ön igényeitől függően további anyagok is szükségesek lehetnek.

AZ AJTÓNÝITÓ A KÖVETKEZŐKKEL KOMPATIBILIS:

- Torziós rudat és rugókat használó ajtók. A torziós rúd 25,4 mm átmérőjű kell legyen. NEM kompatibilis a fordított csévélésű dobokkal.
- 80–120 mm-es dobok, 120 mm-esnél nagyobb kúpos doboknál nem használható.
- Normál emelőmagasságú szekcionált ajtók, 3 m magassági.
- Ajtók 5,5 m szélességig.
- Ajtók 16.5 m<sup>2</sup>-es ajtóterületig.

**MEGJEGYZÉS:** Vizsgálja meg a torziós rudat az ajtó felemelt és leengedett állapotában. Fontos, hogy felfelé és lefelé, illetve balra és jobbra ne legyen észrevehető elmozdulás. Ha a mozgást nem korrigálja, a garázsajtónyitó élettartama jelentősen lerövidül.

Nézze át vagy ellenőrizze a telepítés javasolt helyét, Az ajtónyitó az ajtó bal és jobb oldalán is telepíthető. Válassza azt az oldalt, mely a legjobban megfelel az alábbi követelményeknek.

- a. A fal és a torziós rúd közepe között legalább 6,4 cm távolságnak kell lenni.
- b. A mennyezet és a torziós rúd közepe között legalább 7,6 cm távolságnak kell lenni.
- c. Az oldalfal (vagy akadály) és a torziós rúd vége között legalább 21,6 cm távolságnak kell lenni.
- d. A torziós rúdnak legalább 3,81 cm-rel túl kell nyúlnia a csapágyon. Ez az Ön telepítési követelményeinek függvényében eltérő lehet.
- e. A telepítési területtől 1,83 méterre rendelkezésre kell állnia konnektornak. Ha nincs konnektor, vegye fel a kapcsolatot képesített villanyszerelővel.

## 4 Gondoskodás a MyQ működésről

Ez a vezérlő működtethető MyQ alkalmazással – ehhez fotocellák telepítése szükséges. Felügyelje és vezérelje garázsajtóját bárhol a MyQ alkalmazással.

**MIELŐTT HOZZÁFOGNA:**

A következőkre lesz szüksége:

- Wi-Fi-képes okostelefon, táblagép vagy laptop
- Szélessávú internetkapcsolat
- Wi-Fi-jel a garázsban (2,4 GHz, 802.11b/g/n szükséges)
- Jelszóval védett otthoni hálózat (az útválasztó fő fiókja, nem vendég-hálózat)

**A WI-FI-JEL ERŐSSÉGÉNEK ELLENŐRZÉSE**

Győződjön meg arról, hogy a mobil eszköz kapcsolódik az Ön Wi-Fi-hálózatra. Mobil eszközét a garázsajtónyitó tervezett telepítési helyén tartva ellenőrizze a Wi-Fi-jel erősségét.

**A Wi-Fi-jel erős.**

A garázsajtónyitó kapcsolódni fog az Ön Wi-Fi-hálózatahoz.

**A Wi-Fi-jel gyenge.**

A garázsajtónyitó nem biztos, hogy kapcsolódni fog az Ön Wi-Fi-hálózatahoz. Ha nem, próbálja javítani a Wi-Fi-jel erősségét a következő módszerek egyikével:

**Nincs Wi-Fi-jel.**

A garázsajtónyitó nem fog tudni kapcsolódni az Ön Wi-Fi-hálózatahoz. Próbálja javítani a Wi-Fi-jel erősségét a következő módszerek egyikével:

- Vigye közelebb az útválasztót a garázsajtónyítóhoz, hogy minimalizálja a falak és egyéb tárgyak által okozott interferencia lehetőségét
- Vegyen Wi-Fi-jelerősítőt

## 5 A garázsajtó előkészítése



**VIGYÁZAT:** Ha a garázsajtó ragad, akad, vagy nincs kiegyensúlyozva, MINDIG hívjon ki ajtórendszerekkel foglalkozó szakképzett technikust. A kiegyensúlyozatlan garázsajtó NEM biztos, hogy visszafordul, amikor kellene neki. SOHA NE próbálja meglazítani, elmozdítani vagy beállítani a garázsajtót, ajtórugókat, kábeleket, csigákat, kengyeleket vagy szerelvényeiket, melyek MINDEGYIKE RENDKÍVÜLI feszítés alatt áll. A garázsajtónyitó telepítése és működtetése ELŐTT, a rácsukódás elkerülése érdekében oldja ki az ÖSSZES reteszelést, és távolítsa el MINDEN kötelet a garázsajtóról. Ez a nyitórendszer felügyelet nélküli működési funkciókkal van ellátva. Az ajtó váratlanul elmozdulhat. SENKI NEM KERESZTEZHETI A MOZGÓ AJTÓ ÚTJÁT.

MIELŐTT HOZZÁFOGNA:

- Oldja ki a reteszeléseket.
- Távolítsa el minden, a garázsajtóhoz csatlakoztatott kötelet.

A következő ellenőrzéssel megtudható, hogy a garázsajtó ki van-e egyensúlyozva, és nincs-e beragadva, illetve nem akad-e:

- Emelje meg fél útig az ajtót. Engedje el az ajtót. Ha ki van egyensúlyozva, egy helyben kell maradnia, a rugóinak teljes mértékben meg kell tartania a tömegét.
- Az ajtó felemelésével és leengedésével ellenőrizze, hogy az ajtó nincs-e beragadva, illetve nem akad-e.
- A 130 kg-nál nehezebb ajtóknak NEM szabad gyorsan nyílnia vagy csukódnia.

Ha a garázsajtó ragad, akad, vagy nincs kiegyensúlyozva, hívjon ki ajtórendszerekkel foglalkozó szakképzett technikust.

## 6 Szükséges szerszámok

A garázsajtónyitó összeszerelése, telepítése és beállítása során az utasítások az alább illusztrált kézi szerszámok használatát írják elő.

- |                     |                                |
|---------------------|--------------------------------|
| 1. Háztartási létra | 7. Csavarhúzó                  |
| 2. Fúró             | 8. Vízmérték                   |
| 3. Mérőszalag       | 9. Kőmös kalapács              |
| 4. Csipőfogó        | 10. Villás- és csőkulcskészlet |
| 5. Fogó             | 11. Franciakulcs               |
| 6. Fúrófejek        | 12. Ceruza                     |

## 7 Szállítási terjedelem

Ha bármilyen hiányzik, gondosan nézze át a csomagolóanyagot.

GARÁZSAJTÓNYITÓ		HARDVERZSÁK	
1. Garázsajtónyitó, LM3800W	1x	11. 15 mm-es csavar	2x
2. Automata garázsajtózár, 841EU	1x	12. 54,8 mm-es csavar	4x
3. Szerelőkengyel	1x	13. Kar	1x
4. Karima állítócsavarokkal	1x	14. Kötél	1x
5. Biztonsági címkék	1x	15. 15 mm-es csavar	2x
6. 4 gombos távirányító, TX4EVF	2x	16. Szárazfalazati csavar, 36,8 mm-es	4x
7. MyQ Remote LED világítás, 827EV	1x	17. Csavar, 22 mm-es	2x
8. Útmutató			
TÁVVEZÉRELT VILÁGÍTÁS SZERELVÉNYEI			
9. Szárazfalazati csavar, 42 mm-es	2x		
10. Csavar, 27,85 mm-es	2x		

## 8 Szükséges tartozékok

Kábelfeszesség-figyelő 041A92642.

Infravörös fotocellák (MyQ működéshez: – 771EV vagy – 772E vagy – 771EVK vagy – G770E).  
4 / hu

## 9 Csatlakoztassa a karimát a garázsajtónyitóhoz

A telepítési nehézségek elkerülése érdekében mindaddig ne működtesse a garázsajtónyítót, amíg arra külön nem utasítjuk.

A garázsajtónyítót az ajtó bármelyik oldalán telepíthető (lásd a „Tervezés” című részben). Az illusztrációs lapon bemutatott ábrák csak az egyik felszerelési módot mutatják.

1. Lazítsa meg az állítócsavarokat.
2. Csatlakoztassa a karimát a garázsajtónyító motorjának tengelyéhez. A karimát úgy kell felhelyezni, hogy a nagyobbik lyuka a motortengelyen legyen.
3. Ügyeljen arra, hogy a karima ütközésig felmenjen a motortengelyre.
4. A karimát úgy illessze, hogy a csavarok kifele nézzenek és hozzáférhetőek legyenek a torziós rúdhoz csatlakoztatáskor.
5. Húzza meg biztosan a motortengelyhez legközelebb eső 2 db négyszögfejú állítócsavart úgy, hogy miután a motortengelyhez ért, forgassa még a csavarokat  $\frac{1}{4}$ – $\frac{1}{2}$  fordulattal.

## 10 Csatlakoztassa a szerelőhengelyt a garázsajtónyítóhoz



1. A mellékelt csavarokkal csatlakoztassa lazán a szerelőhengely résejt oldalát a garázsajtónyító karima felőli oldalára.

**MEGJEGYZÉS:** Ne húzza meg a csavarokat az utasítottaknál erősebben.

## 11 A garázsajtónyító illesztése és felszerelése



A hengely falazatba rögzítéséhez betonba való ankercsavart KELL használni. SOHA NE próbálja meglazítani, elmozdítani vagy beállítani a garázsajtót, rugókat, kábeleket, csigákat, kengyeleket vagy szerelvényeket, melyek MINDEGYIKE RENDKÍVÜLI feszítés alatt áll. Ha a garázsajtó ragad, akad, vagy nincs kiegyensúlyozva, MINDIG hívjon ki ajtórendszerekkel foglalkozó szakképzett technikum / telepítő személyt / specialistát. A nem kiegyensúlyozott garázsajtó NEM biztos, hogy visszafordul, amikor kellene neki. A garázsajtónyítót megfelelő szögben KELL a torziós rúdra felszerelni, hogy a karima nehogy idő előtt elkopjon. Vegye figyelembe a helyi követelményeket.

**MEGJEGYZÉS:** A további szerelési lehetőségekkel kapcsolatban tekintse meg a tartozékokról szóló oldalt.

1. Csuksa be teljesen a garázsajtót.
2. Csúsztassa rá a garázsajtónyítót a torziós rúd végére. Ha a torziós rúd túl hosszú vagy sérült, előfordulhat, hogy vágnia kell belőle. Ügyeljen arra, hogy a karima NE érintse a csapágyat.
3. A garázsajtónyító illesztéséhez és felszereléséhez használjon vízmértéket. Győződjön meg arról, hogy a szerelőhengely szilárd felületre van felszerelve (pl. fa, beton vagy ajtóvasalat, illetve záslótartó konzol). Szárazfalra történő felszerelés esetén a szerelőhengelynek pecekbe KELL csatlakoznia.
4. Ha a garázsajtónyító megfelelően van illesztve, jelölje meg a szerelőhengely furatait. Szükség esetén húzza meg a karima csavarjait a torziós rúdon, hogy a helyén tartsa a garázsajtónyítót a furathelyek megjelölésének idejéig. **MEGJEGYZÉS:** A garázsajtónyítónak nem kell a falra felfeküdnie.
5. Vegye le a garázsajtónyítót a torziós rúdról. Fúrjon 5 mm-es vezetőfuratokat a megjelölt furathelyekre. Szükség esetén fúrja át a fém ajtósinlemezeket.
6. Csúsztassa vissza a garázsajtónyítót a torziós rúdra addig, amíg a vezetőfuratok nem illeszkednek a hengellyel.
7. Húzza meg a torziós rúdon található 2 db négyszögfejú állítócsavart. Üreges torziós rúd esetén húzza meg a csavarokat úgy, hogy miután a rúdhoz ért, forgassa még a csavarokat  $\frac{1}{4}$ –1 teljes fordulattal. Tömör torziós rúd esetén húzza meg a csavarokat úgy, hogy miután a tengelyhez ért, forgassa még a csavarokat  $\frac{1}{4}$ – $\frac{1}{2}$  teljes fordulattal. Kulcsos torziós rúdra való felszerelés esetén NE húzza bele a csavarokat a kulcsoronyba.
8. Rögzítse a szerelőhengelyt a falhoz és a garázsajtónyítóhoz. A szerelőhengely falhoz rögzítésére használja a csavarokat (12).

## 12 Csatlakoztassa a vészkioldó kötelet és a kart



Lehetőség szerint a vészkioldó kart CSAK a garázsajtó BECSUKOTT állapotában használja az ajtó kioldására. Gyenge vagy törött rugók, illetve nem kiegyensúlyozott ajtók esetén a nyitott ajtó gyorsan és/vagy váratlanul lecsapódhat. SOHA ne használja a vészkioldó kart, csak ha a garázsajtó útjában nincsenek személyek vagy akadályok.

1. Bújtsa át a vészkioldó kötélt egyik végét a karon. Győződjön meg arról, hogy a „FIGYELMEZTETÉS” jó oldala van felül. Egy, a kötélt végétől legalább 2,5 cm-re elhelyezett egyszerű csomóval biztosítsa az ajtót a csúszás ellen.
2. A vészkioldó kötélt másik végét bújtsa át a szánkiodó kar furatán. A vészkioldót elérhető távolságban szerelje föl, de a padlótól számítva legfeljebb 1,83 m magasságban úgy, hogy ne érhesen a gépjárművekhez, ami által véletlenül kioldhatja. Ezt követően rögzítse egyszerű csomóval.

**MEGJEGYZÉS:** Ha vágni kellene a kötélből, a felfeslés megelőzése érdekében gyufával vagy öngyújtóval olvassza egybe a vágott végét



## 13 Az automata ajtózár telepítése

Az automata ajtózár (841EU típus) arra szolgál, hogy megakadályozza az ajtó kézi kinyitását, miután az teljesen becsukódott.

**MEGJEGYZÉS:** A régi típusú 24 V-os ajtózárok nem kompatibilisak.

1. A zárát lehetőség szerint az ajtónyitó 3,05 m-es körzetében kell felszerelni az ajtónyitóval azonos oldalon.
2. Gondoskodjon arról, hogy a sín felülete tiszta legyen, majd illessze fel a sínre a zársablont úgy, hogy a csavarfurat az ajtógörögötől nagyjából 7,6 cm-re legyen.
3. Fúrja be a furatokat a sablonon jelöltek szerint.
4. Rögzítse fel az automata ajtózárát a mellékelt szerelvényekkel az ajtósín külső oldalára.
5. Vezesse fel a csengődrótot a falon az ajtónyítóhoz. A kábel több helyen történő rögzítésére használjon szigetelt kapcsot (opcionális). Bújtsa át a kábelt az ajtónyító alján.
6. Dugja be a csatlakozódugót az ajtónyító valamelyik dugaljába. A fenti utasítások szerint az ajtó ellentétes oldalára másodlagos ajtózár (841EU) szerelhető.

### AZ AUTOMATA AJTÓZÁR ELLENŐRZÉSE

1. Az ajtó teljesen becsukott állapotában az automata ajtózár csavarjának (B) ki kell állnia a sinen keresztül.
2. Működtesse az ajtót a nyitási irányba. Az automata ajtózárnak (A) be kell húznia, mielőtt az ajtó mozogni kezdene.
3. Működtesse az ajtót a becsukási irányba. Amikor az ajtó a teljesen becsukott pozícióba ér, az automata ajtózárnak az ajtó biztosítása érdekében reteszelési helyzetbe kell mennie.

**MEGJEGYZÉS:** Ha az automata ajtózár nem működik, a zárat a kézi kioldókar (C) nyitott helyzetbe történő elcsúsztatásával lehet kézzel kioldani

## 14 Csatlakoztassa a kötelezően telepítendő kábelfeszesség-figyelőt (041A9264) (kötelező tartozék)

A kábelfeszesség-figyelőt a garázsajtónyitó lefele irányba történő mozgatása előtt csatlakoztatni KELL. A kábelfeszesség-figyelő MINDEN kábellazulást észlel, és a szervizhívások elkerülése érdekében visszafordítja az ajtót. Az EN 12453 szabvány szerint kötelező kábelfeszesség-figyelőt felszerelni.

**MEGJEGYZÉS:** A mellékelt kábelfeszesség-figyelő bal oldali telepítésre lett tervezve. Jobb oldali telepítés esetén távolítsa el a görgő helyén tartására szolgáló Seeger-gyűrűt, és szerelje fel a kábelfeszesség-figyelővel ellentétes oldalon.

1. Ügyeljen arra, hogy az ajtó kábele nagyjából 19 mm-re legyen a szerelési felülettől. Előfordulhat, hogy az ajtókábel megfelelő mélységének eléréséhez az ajtót be kell állítani vagy be kell szabályozni.
2. Úgy helyezze el a kábelfeszesség-figyelőt, hogy a görgő 5–15 cm-re legyen a dobtól, és a görgő 3–6 mm-rel túnyúljon a kábelen. Ügyeljen arra, hogy a kábelfeszesség-figyelő egy fa tartóelem fölött helyezkedjen el, és a görgő ne ütközzön akadályba.

**MEGJEGYZÉS:** A telepítési területen nem lehetnek olyan akadályok, melyek megakadályozhatnák, hogy a kábelfeszesség-figyelő teljesen becsukjon, ha kábellazulást észlel.

3. Jelölje meg a furathelyeket, és fúrjon beléjük 5 mm-es vezetőfuratokat a csavarok számára (ankercsavarokhoz nem szükséges vezetőfuratokat fúrni).
4. Rögzítse a falhoz a kábelfeszesség-figyelőt a mellékelt szerelvényekkel. Győződjön meg arról, hogy a görgő a kábel tetején van.
5. Vezesse fel a csengődrótot az ajtónyítóhoz. A kábel rögzítésére használjon szigetelt kapcsot.
6. Csatlakoztassa a csengődrótot az ajtónyító zöld gyorscsatlakozó-érintkezőre (10 + 11) (a polaritás nem lényeges).

**MEGJEGYZÉS:** A kábelnek az ajtó mozgásának teljes útján feszesnek kell lennie. Győződjön meg arról, hogy a normál működés során az ajtó ellenkező oldalán nem laza a kábel. Ha az ajtó mozgása során lazulás történik, szükség szerint állítsa be a kábeleket.

Két kábelfeszesség-figyelő telepítése esetén az ajtó nem fog lefele elmozdulni vagy visszafordul, ha bármelyik figyelő kábellazulást észlel, illetve le van választva.

### A KÁBELFESZESSÉG-FIGYELŐ ELLENŐRZÉSE

1. Az ajtó teljesen becsukott állapotában nyomja meg a kábelfeszesség-figyelő elejét. Kattanásnak kell hallatszódnia. Ha nincs kattanás, a görgő valószínűleg ütközik a kerettel, ami nem engedi, hogy a kapcsoló érzékelje a kábellazulást. Ügyeljen arra, hogy a kábelfeszesség-figyelő a falra felfeküdvé legyen felszerelve, és a görgő ne ütközzön akadályba.

A mellékelt 1k ellenállás csak a CTM beállítás hibaelhárítására használatos. Az EN12453 szabvány szerint a kábellazulást megfelelő észlelése érdekében kábelfeszesség-figyelőt kell beszerezni.

Ha a kábelfeszesség-figyelője aktíválva van, a FEL és LE nyilak villogni fognak – diagnosztikai kód 3–5.

## 15 Telepítse a MyQ Remote LED világítást (designed for dry areas only)

A MyQ Remote LED világítás hagyományos 230 V-os konnektorba való csatlakoztatásra lett tervezve. Válasszon a mennyezeten vagy a falon megfelelő helyszínt a világítás számára egy konnektor 1,83 méteres körzetében úgy, hogy a vezeték és a világítás a mozgó részegységektől távol legyen. A telepített MyQ Remote LED világításhoz a MyQ és az időzített becsukás (TTC) funkciót engedélyezni kell.

**MEGJEGYZÉS:** Ha a világítást szárazfalra telepíti, és a födémgerenda helye nem azonosítható, használja a mellékelt ankercsavarokat. A szárazfali ankercsavarokhoz nem szükséges vezetőfuratot fúrni.

1. Födémgerendára történő felszerelés esetén fúrjon 15,6 cm távolságban vezetőfuratokat.  
VAGY  
Szárazfalra történő felszerelés esetén csavarjon be 15,6 cm távolságban szárazfali ankercsavarokat.
2. Határozza meg a legközelebbi konnektor eléréséhez szükséges tápkábelhosszt. A maradék kábelt tekerje a lámpakeret felső részének kábel-tartója köré. Vezesse át a kábelt a csatormán, hogy a világítás síkba legyen szerelve.
3. Nyissa ki a lámpabúrát.
4. Szerelje fel a világítást a mellékelt csavarokkal (11+12).
5. Zárja vissza a lámpabúrát.
6. Dugja be a világítás csatlakozódugóját a konnektorba.

**MEGJEGYZÉS:** A LED világítás nagy fényerejű. NE nézzen a fényébe, ha létrán áll.

A garázsajtónyitó távvezérelt világítása gyárilag már be lett állítva az Őn nyitójával való működtetésre. Az esetleges további távvezérelt világításokat vagy cserevilágításokat azonban be kell programozni.

## 16 Villamos csatlakoztatás



A személyi sérülés és a készülék károsodásának elkerülése érdekében az ajtónyitót csak akkor szabad működtetni, ha arra az útmutató kifejezett utasítást ad. A hálózati csatlakozódugónak mindig hozzáférhetőnek kell lennie, hogy le lehessen választani a hálózatról. Az elektromos szerelési munkálatokat csak képesített villanyszerelő végezheti.

## 17 A fotocellák telepítése

### AZ INFRAVÖRÖS FOTOCELLÁKKAL KAPCSOLATOS FONTOS TUDNIVALÓK

A telepítéssel kapcsolatos tudnivalókat az infravörös fotocellák szállítási terjedelme tartalmazza, és azokat be kell tartani. A fotocellákkal biztosítható, hogy az ajtó nyitva legyen vagy nyitva maradjon, ha az útjában emberek – főleg kisgyermek – vannak. Megfelelő csatlakoztatás és illesztés esetén az infravörös fotocellák érzékelője érzékelné fogja az elektronikus sugár útjába kerülő akadályokat. A jeladó láthatatlan fénysugarat küld a jelvevőnek. Ha az ajtó becsukása közben a fénysugarat egy akadály megszakítja, az ajtó megáll, és teljesen nyitott helyzetbe tér vissza, a nyitó világításai pedig 10-et villognak.

A MyQ vagy a TTC funkció használatához az értékelőket úgy kell telepíteni a garázsban, hogy a jeladó és a jelvevő az ajtó vonalában keresztben egymásra nézzenek, és ne legyenek a padló fölött 10 cm-nél magasabban elhelyezve. Bármelyik telepíthető az ajtó bal és jobb oldalán is, feltéve, hogy a nap nem fog tudni közvetlenül rásütni a jelvevő lencséjére. A láthatatlan fénysugár útjában nem állhat akadály. Az ajtó becsukásakor a fénysugarat a garázsajtó egyik alkatrésze (ajtósín, rugók, vasalatok, görgők és egyéb szerelvények) se szakíthatja meg.

**MEGJEGYZÉS:** A Liftmaster minden telepítés esetén fotocellák beszerelését is javasolja. A MyQ vagy a TTC funkció használatához infravörös fotocella telepítése szükséges.

### AZ INFRAVÖRÖS FOTOCELLÁK BEKÖTÉSE

1. Mindkét érzékelőtől vezesse a vezetéket a garázsajtónyitóig. A vezetéket a falhoz és a plafonhoz kápsokkal rögzítse.
2. Mindegyik vezetékgyűttes végéről csupassza le a szigetelést 11 mm hosszúságban. Válassza szét a vezetékeket. Sodorja egybe a fehér vezetékeket. Sodorja egybe a fehér/fekete vezetékeket.
3. Dugja be a fehér vezetékeket a garázsajtónyitó fehér csatlakozójába. Dugja be a fehér/fekete vezetékeket a garázsajtónyitó szürke csatlakozójába. A vezetékek csatlakozóból való eltávolításához egy csavarhúzó hegyével nyomja be a fület.

### GONDOSKODJON ARRÓL, HOGY AZ INFRAVÖRÖS FOTOCELLÁK ILLESZTÉSÉRŐL

**Az ajtó nem fog becsukódni, ha az érzékelők nincsenek megfelelően telepítve és illesztve.**

Ha az ajtó becsukása közben a fénysugarat egy akadály megszakítja, vagy a fénysugár rosszul van illesztve, az ajtó visszatér nyitott helyzetbe, a garázsajtónyitó világításai pedig tízet villognak. Ha az ajtó már nyitva van, nem fog becsukódni. Az érzékelők a szárnyas anyák meglátásával illeszthetők, majd az illesztés után ne felejtse el újra meghúzni őket.

1. Ellenőrizze, hogy mindkét érzékelőn a LED-ek folyamatosan világítanak-e. A LED-ek mindkét érzékelőn akkor világítanak folyamatosan, ha megfelelően vannak illesztve és bekötve.

### AZ INFRAVÖRÖS FOTOCELLÁK ELLENŐRZÉSE

1. Nyissa ki az ajtót. Tegyen akadályt az ajtó útjába.
2. Az ajtó becsukásához nyomja meg a távirányító nyomógombját. Az ajtó nem fog 2,5 cm-nél jobban elmozdulni, és a garázsajtónyitó világításai 10-et fognak villogni.

A garázsajtónyitó távirányítóval nem csukható be, ha valamelyik infravörös fotocella LED-je nem ég (jelezve, hogy az érzékelő rosszul van illesztve vagy akadályozva van). *Ha a garázsajtónyitó annak ellenére becsukja az ajtót, hogy az infravörös fotocella útjában akadály van (és az érzékelők legfeljebb 10 cm-re vannak a padlószint fölött), hívjon ajtórendszerekkel foglalkozó szakképzett technikust*

## 18 Az áramellátás csatlakoztatása

A telepítési nehézségek elkerülése érdekében most ne működtesse a garázsajtónyitót.

Az áramütés veszélyének elkerülése érdekében az Ön garázsajtónyitója földelt csatlakozódugóval rendelkezik. Ez a csatlakozódugó csak földelt hálózati csatlakozóaljzatba illeszthető. Ha a csatlakozódugó nem illik az Ön konnektorába, forduljon képesített villanyszerelőhöz, hogy építsen ki megfelelő konnektort.

Csak egyetlen módon csatlakoztatható az áramellátás:

**NORMÁL TÁPKÁBELLEL**

Dugaszolja be a garázsajtónyitó csatlakozódugóját földelt konnektorba.

## 19 A segédakkumulátor telepítése (opcionális tartozék)



A TŰZ vagy személyi SÉRÜLÉS kockázatának csökkentése érdekében. BÁRMILYEN javítási vagy karbantartási művelet végzése ELŐTT válasszon le MINDEN elektromos és akkumulátoros áramellátást. CSAK a LiftMaster 485EU típusú alkatrészét használja csereakkumulátorként. NE dobja az akkumulátort tűzbe. Az akkumulátor felrobbanhat. Járjon el a helyi ártalmatlansági tással kapcsolatos előírások szerint.

Ha akkumulátoros üzemmódban van, a MyQ Smartphone Control és a vezeték nélküli MyQ eszközök le lesznek tiltva. Akkumulátoros üzemmódban az automata garázsajtózár a garázsajtó nyitásakor ki fog oldani, és az áramellátás helyreállításáig kikapcsolva marad.

1. Válassza le a garázsajtónyitót.
2. Egy csavarhúzóval vegye le a garázsajtónyitó akkumulátorfedelét.
3. Részben helyezze be az akkumulátort az akkumulátortartó rekeszbe úgy, hogy az érintkezők kifele nézzenek.
4. Csatlakoztassa a garázsajtónyitó piros (+) és fekete (-) vezetőket az akkumulátor vonatkozó érintkezőihez.
5. Helyezze vissza az akkumulátorfedelét.
6. Dugaszolja be a garázsajtónyitót.

### AKKUMULÁTOR-ÁLLAPOTJELZŐ LED (B)

#### ZÖLD LED:

Minden rendszer normálisan működik.

- A folyamatosan világító zöld LED-fény azt jelenti, hogy az akkumulátor teljesen fel van töltve.
- A villogó zöld LED fény azt jelenti, hogy akkumulátor töltése folyamatban van.

#### NARANCSSÁRGA LED:

A garázsajtónyitó áramellátása megszakadt, ezért a rendszer átkapcsolt akkumulátoros üzemmódba.

- A folyamatosan világító, 2 másodpercenkénti szipolással kísért narancssárga LED-fény azt jelenti, hogy a garázsajtónyitó akkumulátoros üzemben van.
- A villogó, 30 másodpercenkénti szipolással kísért narancssárga LED-fény azt jelenti, hogy az akkumulátor töltése alacsony.

#### PIROS LED:

A garázsajtónyitó 12 V-os akkumulátorát ki kell cserélni.

- A folyamatosan világító, 30 másodpercenkénti szipolással kísért piros LED-fény azt jelenti, hogy a 12 V-os akkumulátor már nem képes töltést tárolni, ezért le kell cserélni. Cserélje le a segédakkumulátort, hogy biztosítva legyen a segédakkumulátoros funkció.

**MEGJEGYZÉS:** A garázsajtónyitó működtetéséhez a garázsajtónyitónak nem kell teljesen feltöltött állapotban lennie.

## 20 Az út beprogramozása



A garázsajtó úthatárolóinak helytelen beállítása megakadályozhatja a biztonsági visszafordító rendszer megfelelő működését. **BÁRMILYEN** beállítást követően a biztonsági visszafordító rendszert ellenőrizni KELL. Az ajtónak vissza kell fordulnia, ha a padlótól 40 mm-re tárgyba ütközik. A gépjárművek sérülésének megelőzése érdekében győződjön meg arról, hogy a teljesen nyitott ajtó megfelelő szabad magasságot biztosít az áthaladáshoz.

Az úthatárolók azt a pontot határozzák meg, amelynél az ajtónak a felfele vagy lefele mozgása során meg kell állnia. A programozás idején a FEL és a LE gombokkal lehet az ajtót szükség szerint elmozgatni.

1. Tartsa lenyomva a beállítás gombot (A) addig, amíg a FEL gomb (U) villogni nem kezd és/vagy sípszó nem hallatszik.
2. Mindaddig tartsa lenyomva a FEL gombot (U), amíg az ajtó a kívánt FENTI helyzetbe nem került.
3. Ha az ajtó a kívánt FENTI helyzetbe került, nyomja meg röviden a beállítás gombot (A). A garázsajtónyitó világításai kettőt villannak, majd a LE gomb (D) villogni kezd.
4. Mindaddig tartsa lenyomva a LE gombot (D), amíg az ajtó a kívánt LENTI helyzetbe nem került.
5. Ha az ajtó a kívánt LENTI helyzetbe került, nyomja meg röviden a beállítás gombot (A). A garázsajtónyitó világításai kettőt villannak, majd a FEL gomb (U) villogni kezd.
6. Nyomja meg röviden a FEL gombot (U). Miközben az ajtó a beprogramozott FELSŐ helyzetbe tart, a LE gomb (D) villogni fog.
7. Nyomja meg röviden a LE gombot (D). Az ajtó a beprogramozott ALSÓ helyzetbe fog menni. A programozás befejeződött.

Ha a garázsajtónyitó világításai az út beprogramozásának lépései alatt 5-ször felvillannak, az azt jelenti, hogy a programozási idő túl lett lépve. Ha a kábelfeszesség-figyelő nincs telepítve, vagy túl nagy kábellazulást észlel, a garázsajtónyitó világítása 5-ször felvillan. Gondoskodjon a kábelfeszesség-figyelő helyes felszereléséről, majd kövesse az útbeprogramozás lépéseit. Ha a garázsajtónyitó világításai az út beprogramozásának lépései alatt 10-szer felvillannak, az azt jelenti, hogy az infravörös fotocellák rosszul vannak illesztve, vagy akadályozva vannak. Az érzékelők illesztett és nem akadályozott állapotában végezzen el egy teljes fel–le ajtónyitási és ajtóbecsukási ciklust a távirányító FEL és LE gombjaival. A programozás befejeződött. Ha nem tudja az ajtót fel- és lemozgásra készíteni, ismételje meg az útbeprogramozás lépéseit.

## 21 A biztonsági visszafordító rendszer ellenőrzése



Megfelelően telepített biztonsági visszafordító rendszer nélkül az ajtóbecsukáskor a személyek – különösen a gyermekek – **SÚLYOS SÉRÜLÉS** veszélyének lehetnek kitéve, sőt akár **MEG IS HALHATNAK**. A biztonsági visszafordító rendszert havonta ellenőrizni KELL. **BÁRMILYEN** beállítást követően a biztonsági visszafordító rendszert ellenőrizni KELL. Az ajtónak vissza kell fordulnia, ha a padlótól 40 mm-re tárgyba ütközik.

### ELLENŐRZÉS

1. Az ajtó teljesen nyitott állapotában a garázsajtó alatt középen helyezzen el egy 40 mm-es deszkát.
2. Az ajtó becsukásához nyomja meg a távirányító nyomógombját. Az ajtónak vissza KELL fordulnia, amikor érintkezik a deszkával.

### BEÁLLÍTÁS

Ha az ajtó nem fordul vissza:

1. Nézze át a megadott telepítési utasításokat, hogy mindegyik lépést betartotta-e;
2. Ismételje meg az út beprogramozását (lásd a 20. pont 1. beállítási lépését);
3. Ismételje meg a biztonsági visszafordítás ellenőrzését.

Ha az ellenőrzés továbbra is sikertelen eredménnyel zárul, hívjon ajtórendszerekkel foglalkozó szakképzett technikumot.

### FONTOS BIZTONSÁGI ELLENŐRZÉS:

A biztonsági visszafordító rendszert a következő esetekben kell ellenőrizni:

- Minden egyes határolóbeállítást követően.
- Az ajtó minden javítása vagy beállítása után (ideértve a rugókon és a szerelvényeken végzett munkákat is).
- A padló minden javítása után vagy deformálódása esetén.
- A garázsajtónyitó minden javítása vagy beállítása után.

## 22 Az ajtó kézi nyitása



Lehetőség szerint a vészkioldó kart CSAK a garázsajtó BECSUKOTT állapotában használja az ajtó kioldására. Gyenge vagy törött rugók, illetve nem kiegyensúlyozott ajtók esetén a nyitott ajtó gyorsan és/vagy váratlanul lecsapódhat. SOHA nem használja a vészkioldó kart, csak ha a garázsajtó útjában nincsenek személyek vagy akadályok.

A felátvitás előtt oldjon ki minden ajtózárat. Az ajtónak lehetőség szerint teljesen becsukott állapotban kell lennie. Húzza le a vészkioldó kart addig, amíg nem hall kattanáshangot az ajtónyitóból, aztán emelje meg kézzel az ajtót. Az ajtónak az ajtónyitóhoz való visszacsatlakoztatásához most másodsorra is húzza egyenesen le a vészkioldó kart addig, amíg kattanáshangot nem hall az ajtónyitóból. Az ajtó a következő FEL vagy LE működtetéskor vissza fog csatlakozni.

### A VÉSZKIOLDÓ ELLENŐRZÉSE

1. Győződjön meg róla, hogy az ajtó be van csukva.
2. Húzza meg a vészkioldó kart. Az ajtó ezt követően kézzel kinyitható.
3. Vigye vissza az ajtót csukott helyzetbe.
4. Húzza meg másodjára is a vészkioldó kart.
5. Csatlakoztassa vissza az ajtót az ajtónyitóra.

## 23 A garázsajtónyitó használata

### FUNKCIÓK

Az Ön garázsajtónyítója olyan funkciókkal van ellátva, melyek ráhatást biztosítanak Önnek a garázsajtója működtetésére.

### BECSUKÁSI FIGYELMEZTETÉS

A becsukási figyelmeztetés funkció vizuális riasztást ad egy ajtó felügyelet nélküli becsukásáról.

### IDŐZÍTETT BECSUKÁS (TTC)

A TTC funkció egy megadott idő leletét követően automatikusan becsukja az ajtót – ez az idő TTC-képes ajtószabályozón keresztül állítható be (ehhez 771EV / 772E / 771EVK / G770E típusú fotocellák szükségesek). Az ajtóbecsukás előtt és közben a garázsajtónyitó világításai villogni fognak.

### A TTC FUNKCIÓ BEKAPCSOLÁSA:

1. Nyomja meg 4-szer röviden a sárga tanulás gombot (L).
2. A sárga tanulás LED-nek ki kell gyulladnia
3. A FEL (U) és LE (D) nyilakkal válthat a KI/1/5/10 perces fokozatok között. A sárga tanulás LED-nek a választást villanással kell visszaigazolni. Például: ha az 5 perces fokozatot választja, a sárga tanulás LED-nek 5-öt kell villognia visszaigazolásaként.
4. A beállítás elmentéséhez és a TTC programozói módból való kilépéshez nyomja meg a négyyszögletű beállítás gombot (A). A bekapcsolási folyamat végeztével a MyQ Remote LED világítás visszaigazolásaként EGYET fog villanni. A TTC funkció beprogramozásakor Önnek 30 másodpercen belül meg kell nyomnia a következő gombot, ellenkező esetben a TTC funkció bekapcsolási folyamata megszakad. A programozási idő leletével a TTC a korábban érvényes beállításra tér vissza, és a MyQ Remote LED világítás ÖTÖT fog villanni.

A befejezetlen TTC programozási módból való kilépéshez nyomja meg még egyszer röviden a tanulás gombot (L).

### A TTC FUNKCIÓ IDŐZÍTÉSÉNEK MEGVÁLTOZTATÁSA:

1. Nyomja meg 4-szer a tanulás gombot (L).
2. A FEL (U) és LE (D) nyilakkal válthat a KI/1/5/10 perces fokozatok között. A sárga tanulás LED-nek a választást villanással kell visszaigazolni.
3. A beállítás elmentéséhez és a TTC programozói módból való kilépéshez nyomja meg a négyyszögletű beállítás gombot (A). A bekapcsolási folyamat végeztével a MyQ Remote LED világítás visszaigazolásaként EGYET fog villanni.

### A TTC FUNKCIÓ KIKAPCSOLÁSA:

1. Nyomja meg 4-szer a sárga tanulás gombot (L).
2. A beállítás elmentéséhez nyomja meg egyszer a beállítás gombot.
3. A kikapcsolási folyamat végeztével a MyQ Remote LED világításnak visszaigazolásaként EGYET kell villanni. Ha a TTC funkció be van kapcsolva, az időzítő visszaszámol, azonban az infravörös fénysugarak megszakitása esetén a visszaszámlálás újrakezdődik.

## MyQ

A MyQ lehetővé teszi Önnek, hogy a garázsajtónyitóját mobilszközéről vagy számítógépéről bárholonnan működtethesse. A MyQ technológia rádiójelet használ a garázsajtónyító és a MyQ-képes kiegészítők közötti kétoldalú kommunikációhoz. A garázsajtónyító beépített útvalasztóval van ellátva, mely lehetővé teszi a számára, hogy közvetlenül kommunikáljon az otthoni Wi-Fi® hálózattal, valamint hogy hozzáférhessen MyQ fiókjához

## INFRAVÖRÖS FOTOCELLÁK

Megfelelő csatlakoztatás és illesztés esetén az infravörös fotocellák érzékelője érzékeli fogja az infravörös fénysugár útjába kerülő akadályokat. Ha az ajtó becsukása közben az infravörös fénysugarat egy akadály megszakítja, az ajtó megáll, és teljesen nyitott helyzetbe tér vissza, a nyitó világításai pedig 10-et villognak. Amennyiben az ajtó teljesen nyitott helyzetben van, és vannak telepítve infravörös fotocellák, akkor a fotocellák elállítódása esetén az ajtót a távirányító nem fogja tudni becsukni. Azonban az ajtó kezelőgombjának vagy a kulcs nélküli nyitórendszer gombjának a nyomva tartásával az ajtó teljesen becsukható. Az infravörös fotocellák nincsenek hatással a nyitási ciklusra.

## ENERGIAMEGŐRZÉS

Az energiafelhasználási hatékonyság érdekében a garázsajtónyító az ajtó teljesen becsukott helyzetében alvó üzemmódba kapcsol. Az alvó üzemmód az aktiválás kikapcsolt állapotban tartja a garázsajtónyítót. Az alvó üzemmód össze van hangolva a garázsajtónyító világításával – ha a világítás kikapcsolt, az érzékelő LED-ek is kikapcsolnak, illetve a garázsajtónyító világításainak bekapcsolása esetén az érzékelő LED-ek is kigyulladnak. A garázsajtónyító mindaddig nem kapcsol alvó üzemmódba, amíg a garázsajtónyító az áram alá helyezését követően nem teljesített 5 ciklust.

## VILÁGÍTÁSOK

A garázsajtónyító világítása a nyitó első áram alá helyezésekor, az áramellátás helyreállításakor, illetve a garázsajtónyító aktiválásakor fog bekapcsolni. A világítás 4–½ perc után automatikusan ki fog kapcsolni.

## VILÁGÍTÁS FUNKCIÓ

A garázsajtónyító egy további funkcióval rendelkezik – a világítás automatikusan bekapcsol, ha valaki a nyitott garázsajtón keresztül áthaladva megszakítja az infravörös fénysugarat. Ehhez a funkcióhoz 771EV / 772E / 771EVK / G770E típusú infravörös fotocellák telepítésére van szükség.

## SEGÉDAKKUMULÁTOR (OPCIONÁLIS)

A segédakkumulátoros rendszer lehetővé teszi, hogy áramkimaradás esetén is be tudjon jutni garázsába, illetve ki tudjon menni belőle. Amikor a garázsajtónyító akkumulátoros üzemmódban működik, a garázsajtó mozgása lassabban fog történni, a világítás nem fog működni, az akkumulátor-állapotjelző LED narancssárga színnel folyamatosan fog világítani, és 2 másodpercenként sípszó hallatszik.

## A GARÁZSAJTÓNÝÍTÓ HASZNÁLATA

A garázsajtónyítót a falra szerelt ajtónyítóval, távirányítóval, vezeték nélküli kulcs nélküli nyitórendszerrel vagy MyQ kiegészítővel lehet aktiválni. A rádiófrekvenciás ajtónyító vagy fali kapcsoló működtetésekor:

- az ajtó be fog csukódni, ha épp teljesen nyitott helyzetben van
- az ajtó ki fog nyílni, ha épp teljesen becsukott helyzetben van
- az ajtó meg fog állni, ha épp nyílik vagy csukódik
- az ajtó a legutóbb végrehajtott iránnyal ellentétesen fog mozogni, ha részben nyitva van.

Amennyiben az ajtó akadályt észlel, vagy a nyitás közben a működését megszakítják, az ajtó megáll. Ha a garázsajtónyító a becsukás közben akadályt észlel, az ajtó visszafordul. Ha az akadály megszakítja az érzékelő fénysugarát, a garázsajtónyító világításai 10-et villannak. Azonban az ajtó kezelőgombjának vagy a kulcs nélküli nyitórendszer gombjának a nyomva tartásával az ajtó teljesen becsukható. Az infravörös fotocellák nincsenek hatással a nyitási ciklusra.

## CIKLUSSZÁMLÁLÓ – A BEKAPCSOLÁS ÉS A LEOLVASÁS FOLYAMATA:

1. Válassza le az áramellátást a lakossági fogaskerekes nyitóról (RJO), hogy beléphessen ebbe a módba.
2. Az áramellátás visszaállítása közben tartsa egyidejűleg lenyomva a beállítás (A) és a tanulás (L) gombot.
3. A kezelő FEL nyíl gombjának (U) LED-je minden elvégzett ezredik TELJES ciklus után EGYET fog villanni, amennyiben a beállítás (A) és a tanulás (L) gombot lenyomva tartja.

Például ha a lakossági fogaskerekes nyitó (RJO) eddig 8756 ciklust hajtott végre, a FEL nyíl gomb LED-je 8-at fog villanni

A lekérdezés megismétléséhez válassza le a lakossági fogaskerekes nyítót (RJO) az áramellátásról, és kezdje elölről.

**Fény-jeladó (78EV egységgel):** Lehetővé teszi, hogy a MyQ Remote a multifunkciós fali kezelőegység segítségével megtanuljon egy jeladót.

A jeladó beprogramozása a MyQ Remote LED világításra:

1. Tartsa egyidejűleg lenyomva a VILÁGÍTÁS és a ZÁR gombot.
2. A fenti két gomb nyomvatartása mellett nyomja le a jeladó egyik gombját addig, ameddig a lakossági fogaskerekes nyitó munkavilágítása (RJO WorkLight) egyet nem villan.
3. Miután a munkavilágítás (WorkLight) egyszer felvillant, engedje fel az összes gombot

**Vakációs üzemmód** (78EV típusú fali kezelőegység szükséges hozzá). A hordozható távirányítók nem működnek, ha ez a funkció be van kapcsolva. Lásd a 78EV típusú egység útmutatóját.

**Kulcs nélküli nyitórendszer** (747EV típusú vezeték nélküli billentyűzet szükséges hozzá): Adjon meg egy, az ajtó működtetésére használni kívánt, tetszőleges 4 számjegyű kódot.

**Ideiglenes hozzáférés** (747EV típusú vezeték nélküli billentyűzet szükséges hozzá): Egy ideiglenes kód is beprogramozható, mely korlátozott hozzáférést biztosít a garázsához (a korlátozás megadható időben, illetve nyitási számban).

**Egygombos becsukás funkció** (747EV típusú vezeték nélküli billentyűzet szükséges hozzá): A hozzáférési kód nélkül az ajtó bármilyen helyzetből becsukható (nyitni nem lehet).

## 24 Kapcsolódás okostelefonról

A Wi-Fi® garázsajtónyitó akár 16 MyQ-képes kiegészítővel együtt is használható. Legfeljebb 10 eszköz párosítható a Wi-Fi garázsajtónyító belső útvalasztójával. Ezeket az eszközöket aztán a MyQ alkalmazással lehet vezérelni. Ilyen eszközök például a MyQ garázsajtónyítók, Wi-Fi garázsajtónyítók, MyQ világítás, MyQ ajtóvezérlők bármilyen kombinációja. Egy LiftMaster internettájjárót (828EV) is beköthet, ha a MyQ alkalmazással 10-nél több eszközt is szeretne vezérelni. Legfeljebb 6 eszköz párosítható magához a garázsajtónyítóhoz (garázsajtónyítóval vezérelve). Ilyen eszközök például a MyQ világítás vagy egy garázsajtó- és ajtóvezérlő bármilyen kombinációja.

### A következőkre lesz szüksége:

- Wi-Fi-képes okostelefon, táblagép vagy laptop
- Szélessávú internetkapcsolat
- Wi-Fi-jel a garázsban (2,4 GHz, 802.11b/g/n szükséges)
- Jelszóval védett otthoni hálózat (az útvalasztó fő fiókja, nem vendég-hálózat)
- A MyQ sorozatszám a garázsajtónyítón található.
- Infravörös fotocellák (opcionális)
- MyQ Remote LED világítás (a szállítási terjedelemben)

### AZ AJTÓVEZÉRLÉS SZINKRONIZÁLÁSA

A 78EV típusú ajtóvezérlőnek a garázsajtónyítóval való szinkronizálásához nyomogassa a nyomóbillentyűt addig, amíg a garázsajtónyító be nem kapcsol (ez akár 3 nyomásig is eltarthat). A garázsajtónyítónak egy teljes ciklust el kell végeznie, mielőtt a Wi-Fi programozást aktiválni lehetne

### A GARÁZSAJTÓNYÍTÓNAK AZ OTTHONI WI-FI-HÁLÓZATHOZ VALÓ CSATLAKOZTATÁSA

1. Nyomja meg 3-szor röviden a garázsajtónyító sárga TANULÁS gombját (L). A garázsajtónyító egyet fog sipolni. A csatlakoztatási folyamat elvégzésére 20 perc áll rendelkezésre.
2. A mobil eszközén menjen a Beállítások > Wi-Fi menübe, és válassza ki a „MyQ-” előtagú hálózatot.
3. Indítsa el a webböngészőt az okostelefonján vagy táblagépén. Írja be a „setup.myqdevice.com” címet a böngészője címsorába. Kövesse a garázsajtónyítónak az Ön Wi-Fi-hálózatához történő csatlakoztatására vonatkozó képernyői utasításokat. A MyQ sorozatszáma megjelenik a képernyőn. Írja be a sorozatszámot az alsó mezőbe

4. Töltse le a MyQ alkalmazást az App Store®-ból vagy a Google Play™ Áruházból. Hozza létre saját MyQ fiókját, és adja hozzá a MyQ sorozatszámot.

Még egy Wi-Fi garázsajtónyító hozzáadásához ismételje meg az 1–3 lépéseket. A MyQ alkalmazásban adja hozzá a második MyQ sorozatszámot is a fiókjához.

**MEGJEGYZÉSEK:** A MyQ Smartphone Control alkalmazás NEM FOG működni, ha a garázsajtónyító akkumulátoros üzemben van. A Wi-Fi-beállítások törlésével kapcsolatos tudnivalókat lásd 15. oldal.

A Wi-Fi állapotot a garázsajtónyítón egy LED (A) fogja jelezni. Lásd az alábbi táblázatot

LED	DEFINIÓ
KÉK	Nem világít – A Wi-Fi nincs bekapcsolva. Villog – A garázsajtónyító Wi-Fi-tanulás módban van. Folyamatosan világít – Mobil eszköz csatlakozik a garázsajtónyítóhoz.
KÉK ÉS	Villog – Az útvalasztóhoz való csatlakozás folyamatban van.
ZÖLD	Villog – Az internetkiszolgálóhoz való csatlakozás folyamatban van. Folyamatosan világít – A Wi-Fi kapcsolat be van állítva, és a garázsajtónyító csatlakozik az internetre.



## 25 A nyitó és a távirányító, a vezeték nélküli nyomógomb, illetve a vezeték nélküli billentyűzet (opcionális) beprogramozása

Csak akkor működtesse a nyitót, ha az ajtóra teljes rálátása van, nincs az ajtó útjában akadály, és megfelelően be van állítva. Az ajtó mozgása közben senki nem keresztezheti a garázsajtó útját. Ne hagyja, hogy gyermekek működtessék a nyomógomb(ka)t vagy a távirányító(ka)t. Ne hagyja a gyerekeket az ajtó közelében játszani. A garázsajtónyitó vevőegysége és az egyik gombos távirányító előre be lett programozva. További távirányítók vásárlása esetén a garázsajtónyitót be kell programozni, hogy elfogadjá az új távirányítót.

A VEVŐEGYSÉG BEPROGRAMOZÁSA TOVÁBBI TÁVIRÁNYÍTÓK ELFOGADÁSÁRA:

A SÁRGA KERESZT GOMB HASZNÁLATÁVAL

1. Nyomja meg röviden a nyitó sárga kereszt gombját (L). A tanulásjelző világítás 30 másodpercig állandó fényel fog világítani.
2. 30 másodpercen belül nyomja le és tartsa lenyomva a kézi távirányítón azt a gombot, mellyel a garázsajtót működtetni szeretné.
3. Amikor a nyitó világítása egyet villan, engedje fel a gombot. A nyitó megtanulta a kódot. Mostantól a nyitó a távirányító ezen gombjának megnyomásakor működni fog. Ha a távirányító nyomógombját azelőtt engedné fel, hogy a nyitó világítása egyet villanna, a nyitó nem fogja megtanulni a kódot.

KULCS NÉLKÜLI NYITÓRENDSZER

1. Nyomja meg röviden a nyitó sárga kereszt gombját (L). A tanulásjelző világítás 30 másodpercig állandó fényel fog világítani.
2. A kulcs nélküli nyitórendszer billentyűzetén adjon meg egy tetszőleges 4 számjegyű személyi azonosító számot (PIN).
3. Ezt követően nyomja meg az ENTER gombot.
4. A garázsajtónyitó világításai villogással fogják jelezni (vagy két kattánás lesz hallható), ha a kód be lett programozva. További távirányítók vagy kulcs nélküli nyitórendszeri eszközök beprogramozásához ismételje meg a fenti lépéseket Ha a programozás nem sikerül, programozza be a távirányítót a tanulás gombbal.

ÖSSZES TÁVIRÁNYÍTÓKÓD TÖRLÉSE

Egy nem kívánatos távirányító regisztrációjának törléséhez először minden kódot törölni kell: Tartsa a nyitó kereszt sárga gombját lenyomva addig, amíg a tanulásjelző világítás ki nem alszik (nagyjából 10 másodperc). Ezzel az összes korábban használt kód törlődött. Programozza be újból az összes használni kívánt távirányítót és kulcs nélküli nyitórendszert.

## 26 A MyQ Remote LED világítás beprogramozása

A garázsajtónyitó távvezérelt világítása gyárilag már be lett állítva az Ön nyitójával való működtetésre. Az esetleges további távvezérelt világításokat vagy cserevilágításokat azonban be kell programozni.

AJTÓNYITÓNAK A MYQ REMOTE LED VILÁGÍTÁSRA VALÓ BEPROGRAMOZÁSA:

1. Nyomja le a világításon található TANULÁS gombot (L) addig, amíg a zöld LED VILÁGÍTANI nem kezd.
2. Nyomja le az ajtónyitón található TANULÁS gombot (L).
3. A kód beprogramozása akkor sikeres, ha a távvezérlő világítása egyet villan.

TÁVIRÁNYÍTÓNAK A MYQ REMOTE LED VILÁGÍTÁSRA VALÓ BEPROGRAMOZÁSA

1. Nyomja le a világításon található TANULÁS gombot (L) addig, amíg a zöld LED VILÁGÍTANI nem kezd.
2. Nyomja le a távirányítón azt a gombot, mellyel a garázsajtót működtetni szeretné.
3. A kód beprogramozása akkor sikeres, ha a távvezérlő világítása egyet villan.

A világítás más kiegészítővel való beprogramozásával kapcsolat tudnivalókat lásd a kiegészítő használati útmutatójában.

A MYQ REMOTE LED VILÁGÍTÁS MYQ-FIÓKHOZ VALÓ HOZZÁADÁSA

1. Nyomja le a világításon található TANULÁS gombot (L) addig, amíg a zöld LED VILÁGÍTANI nem kezd.
2. Jelentkezzen be a MyQ alkalmazásba, és adja hozzá a MyQ Remote LED világítást.

AZ ÖSSZES PROGRAMOZÁS ELTÁVOLÍTÁSA A MYQ REMOTE LED VILÁGÍTÁSBÓL

1. Tartsa lenyomva a TANULÁS gombot (L) addig, amíg a LED ki nem kapcsol (6–10 másodperc). Ezzel minden programozás törlődött.

## 27 A memória törlése

### AZ ÖSSZES TÁVIRÁNYÍTÓ ÉS KULCS NÉLKÜLI NYITÓRENDSZER TÖRLÉSE

1. Tartsa lenyomva a garázsajtónyitón a TANULÁS gombot (L) addig, amíg a tanulásjelző LED ki nem alszik (nagyjából 6 másodperc). Ezzel az összes távirányító és kulcs nélküli nyitórendszer kódja törlődött. Programozza be újra azokat a kiegészítőket, melyeket használni kíván.

### AZ ÖSSZES ESZKÖZ TÖRLÉSE (A MYQ-KÉPES KIEGÉSZÍTŐKET IS BELEÉRTVE)

1. Tartsa lenyomva a garázsajtónyitón a TANULÁS gombot (L) addig, amíg a tanulásjelző LED ki nem alszik (nagyjából 6 másodperc).
2. Azonnal nyomja meg még egyszer és tartsa lenyomva a TANULÁS gombot addig, amíg a tanulásjelző LED ki nem alszik. Ezzel az összes kód törlődött. Programozza be újra azokat a kiegészítőket, melyeket használni kíván.

### A WI-FI-HÁLÓZAT TÖRLÉSE A GARÁZSAJTÓNYITÓRÓL

1. Tartsa lenyomva a garázsajtónyitón a fekete beállítás gombot (A) addig, amíg 3 sípszó nem hallatszik (nagyjából 6 másodperc).

### MYQ FIÓK TÖRLÉSE

Go to myliftmaster.eu to delete your MyQ acco

## 28 A garázsajtónyitó karbantartása

### KARBANTARTÁSI ÜTEMTERV

#### HAVONTA

- Működtesse kézzel az ajtót Ha nincs kiegyensúlyozva vagy akad, hívjon ajtórendszerekkel foglalkozó szakképzett technikust.
- Ellenőrizze, hogy az ajtó teljesen kinyílik és teljesen becsukódik. Szükség esetén állítsa be a határolókat (lásd „Az út beprogramozása” című 20. pontot).
- Ismétélje meg a biztonsági visszafordítás ellenőrzését. Végezze el a szükséges beállításokat (lásd „A biztonsági visszafordító rendszer ellenőrzése” című 21. pontot).

#### ÉVENTE

- Olajozza meg az ajtógörgőket, csapágynyakokat és vasalatokat. A garázsajtónyitót nem igényel kiegészítő kenést. Ne kenje meg az ajtószíneket.

### MYQ REMOTE LED VILÁGÍTÁS

- Tisztítás előtt válassza le a világítást az áramellátásról.
- A tisztításhoz használjon enyhén megnedvesített rongyot.
- NE használjon folyékony tisztítószereket a lámpabúrán.

## 29 A távirányító akkumulátorcseréje

### A távirányító akkumulátora:

A távirányítóban lévő akkumulátorok extrém hosszú élettartamúak. A hatótávolság csökkenése esetén az akkumulátorokat le kell cserélni. Az akkumulátorokra nem vonatkozik a garancia.

### Kérjük, tartsa be az akkumulátorra vonatkozó következő utasításokat:

Az akkumulátorok nem kezelhetők háztartási hulladékként. Minden fogyasztónak törvényi kötelessége, hogy az akkumulátorokat a begyűjtésükre szolgáló gyűjtőponton megfelelően ártalmatlanítsák. Soha ne töltsé újra a nem újratölthető elemeket.

### Robbanásveszély!

Az akkumulátorokat tartsa távol a gyermekektől, ne zárja őket rövidre, illetve ne szedje szét őket. Akkumulátor lenyelése esetén azonnal forduljon orvoshoz. Szükség esetén a behelyezés előtt tisztítsa meg az akkumulátor és az eszköz érintkezőit. Azonnal vegye ki a lemerült akkumulátorokat a termékből!

### Megnövekedett szivárgásveszély!

Az akkumulátorokat nem szabad tűzoltó hőnek – pl. napsugárzásnak, tűznek vagy hasonlóknak – kitenni!

### Megnövekedett szivárgásveszély!

A bőrrel, szemmel és nyálkahártyákkal való érintkezés kerüendő. Öblítse le az akkumulátorsavval érintkező testrészeket bő hideg vízzel, és azonnal forduljon orvoshoz. Csak azonos típusú akkumulátorokat használjon. Ha az eszközt várhatólag hosszú ideig nem fogja használni, vegye ki belőle az akkumulátorokat.

### Akkumulátorcsere:

Az akkumulátorcseréhez fordítsa hátoldalával felfelé a távirányítót, és nyissa ki a burkolatát egy csavarhúzóval. Emelje fel a fedelet, és emelje fel az alsó vezérlőpanelt. Csúsztassa el az akkumulátort az egyik oldalra, és vegye ki. Ügyeljen az akkumulátor polaritására! Szerelje össze a szétszerelés műveleteinek fordított sorrendben való végrehajtásával.

### FIGYELEM!

Az akkumulátor helytelen behelyezése robbanásveszélyt jelenthet. Csak azonos vagy egyenértékű típusú (CR2032) 3 V-os akkumulátorokra szabad lecserélni.

## 30 Ártalmatlanítás

A csomagolás a helyi újrahasznosító konténerekbe dobva ártalmatlanítható. Az elektromos berendezések hulladékairól szóló 2002/96/EK uniós irányelv szerint ez az eszköz a használati idejének befejeztével megfelelően ártalmatlanítandó, hogy a benne használt anyagok újrahasznosítása biztosítva legyen.



A régi akkumulátorok és elemek nem dobhatók ki háztartási hulladékként, mivel olyan szennyező anyagokat tartalmaznak, melyeket megfelelően kell ártalmatlanítani a települési gyűjtőpontokon, vagy a megadott forgalmazó gyűjtőkonténeireiben. Az országos előírásokat be kell tartani. Az összetevőket hulladékkezelésre szakosodott állami cégnél megfelelően ártalmatlanítani kell. A vonatkozó helyi és országos előírásokat be kell tartani. A szétszerelt meghajtó-összetevők egyike se dobható ki háztartási hulladékként.

Az illetékes hatóság (városi, községi) vagy annak ártalmatlanításért felelős cége tájékoztatni fogja Önt az ártalmatlanítás lehetőségeiről.

## 31 Diagnosztikai táblázat

Az Ön garázsajtónyitója öndiagnosztizálási képességekkel rendelkezik. A garázsajtónyitó FEL és a LE nyilai elvillogják Önnek a diagnosztikai kódokat.

DIAGNOSZTIKAI KÓD		JELENSÉG	MEGOLDÁS
Felfele nyíl Villog	Lefele nyíl Villog		
1	1	A garázsajtónyitó nem fog becsukódni, és a világítás villog.	Ha vannak telepítve infravörös fotocellák, akkor azok nincsenek csatlakoztatva, vagy a vezetékük esetleg elszakadt. Ellenőrizze, hogy az érzékelő vezetékai nem lettek-e lecsatlakoztatva vagy elszakítva.
1	2	A garázsajtónyitó nem fog becsukódni, és a világítás villog	Az infravörös fotocellák egyik vezetéke zártatos, vagy fordítva lett bekötve. Ellenőrizze a fotocellák vezetékét minden rögzítőkapocsnál és bekötési pontnál, és szükség szerint cserélje le vagy javítsa meg a vezetékét.
1	3	Az ajtóvezérlés nem fog működni.	Az ajtóvezérlés vezetékai zártatosak, vagy az ajtóvezérlés meghibásodott. Ellenőrizze az ajtóvezérlés vezetékait minden rögzítőkapocsnál és bekötési pontnál, és szükség szerint cserélje le vagy javítsa meg a vezetékét.
1	4	A garázsajtónyitó nem fog becsukódni, és a világítás villog.	Ha vannak telepítve infravörös fotocellák, akkor azok rosszul vannak illesztve, vagy pillanatnyilag akadályozva vannak. Illessze újra mindkét érzékelőt, hogy mindkét LED állandó fénnel világítson, ne pedig villogjon. Győződjön meg arról, hogy semmi se lóg az ajtóról, illetve semmi olyan nincs rászerveve, mely a becsukás közben megszakíthatná az érzékelők közötti fénysugarat.
1	5	Az ajtó 15–20 cm után leáll vagy visszafordul	Kézileg nyissa ki és csukja be az ajtót. Ellenőrizze, hogy nincs-e akadás vagy nincsenek-e akadályok (pl. törött rugó vagy ajtózárr), és végezze el a szükséges javításokat. Ellenőrizze a vezetékek csatlakozását az útmodulnál és a logikai paneleken. Szükség esetén cserélje le az útmodult.
1	5	Az ajtó nem mozdul, csak egyzéri kattanás hallatszik.	Kézileg nyissa ki és csukja be az ajtót. Ellenőrizze, hogy nincs-e akadás vagy nincsenek-e akadályok (pl. törött rugó vagy ajtózárr), és végezze el a szükséges javításokat. Szükség esetén cserélje le a logikai panelet.
1	5	A nyitó 1–2 másodpercig zúg, de az ajtó nem mozdul.	Kézileg nyissa ki és csukja be az ajtót. Ellenőrizze, hogy nincs-e akadás vagy nincsenek-e akadályok (pl. törött rugó vagy ajtózárr), és végezze el a szükséges javításokat. Szükség esetén cserélje le a motort.
1	6	Az ajtó megrekedése a teljes leállása után.	Programozza be a végállást, vagy egyensúlyozza ki az ajtót szakképzett technikussal.
2	1-5	Nincs mozgás, illetve hang.	Cserélje le a logikai panelet.
3	1	A garázsajtónyitó enyhén elmozdul, majd leáll.	Indítsa el újra a garázsajtónyítót. Ha a probléma továbbra is fennáll, cserélje le a logikai panelet.
3	3	Az akkumulátor-állapotjelző LED folyamatosan zölden villog	Probléma a segédakkumulátor töltési áramkörével – cserélje le a logikai panelet.

DIAGNOSTIC CODE		SYMPTOM	SOLUTION
Up Arrow Flash(es)	Down Arrow Flash(es)		
3	5	A garázsajtónyitó nem csukódik be, vagy az ajtó visszafordul az ajtó mozgása során.	Ha korábban két kábelfeszesség-figyelő lett telepítve, és az egyik el lett távolítva, akkor egymás után háromszor húzza ki és dugja be a nyitó dugóját, hogy a nyitó újratanulja a figyelőt. <ul style="list-style-type: none"> <li>• Ellenőrizze az ajtó útjában lévő esetleges akadályokat, és távolítsa el őket, ha vannak.</li> <li>• Ellenőrizze, hogy a kábelfeszesség-figyelő megfelelően van-e csatlakoztatva a nyitóhoz.</li> <li>• Cserélje ki a kábelfeszesség-figyelőt.</li> </ul>
4	1-4	Az ajtó mozgása leáll, illetve az ajtó visszafordul.	Kézzel nyissa ki és csukja be az ajtót. Ellenőrizze, hogy nincs-e akadály vagy nincsenek-e akadályok (pl. törött rugó vagy ajtózárr), és végezze el a szükséges javításokat. Ha az ajtó akad vagy beragadt, hívjon ajtórendszerekkel foglalkozó szakképzett technikust. Ha az ajtó nem akad, illetve nem ragadt be, próbálja meg újraprogramozni az ajtó útját.
4	5	A nyitó nagyjából 15–20 cm megtétele után leáll és visszafordul.	Kommunikációs hiba az útmodullal. Ellenőrizze az útmodul csatlakozásait, és szükség esetén cserélje le a modult.
4	6	A garázsajtónyitó nem fog becsukódni, és a világítás villog	Az infravörös fotocellák rosszul vannak illesztve, vagy pillanatnyilag akadályozva vannak. Illessze újra mindkét érzékelőt, hogy mindkét LED állandó fénnel világítson, ne pedig villogjon. Győződjön meg arról, hogy semmi se lóg az ajtóról, illetve semmi olyan nincs rászerezve, mely a becsukás közben megszakíthatná az érzékelők közti fénysugarat.
5	5	Időzített becsukás (TTC) funkció vagy a MyQ Smartphone Control alkalmazás használata esetén az ajtó nem fog becsukódni.	A TTC funkció vagy a MyQ ajtóvezérlés használatához a MyQ Remote LED világításnak telepítve kell lennie. Dugja be a MyQ Remote LED világítást, és győződjön meg róla, hogy hozzá van programozva a garázsajtónyítóhoz.

## 32 Hibaelhárítás

### A garázsajtónyitó nem működtethető az ajtóvezérlővel vagy a távirányítóval:

- Kap elektromos áramot a garázsajtónyitó? Dugjon be egy lámpát a konnektorba. Ha nem világít, ellenőrizze a biztosítékdobozt vagy a hálózati megszakítót. (Bizonyos konnektorok fali kapcsolóval megszakíthatók.)
- Kioldotta az összes ajtózárat? Nézze át a telepítési utasítások 5. oldalán található figyelmeztetéseit.
- A vezetékek helyesen vannak bekötve?
- Van felgyülemlett jég vagy hó az ajtó alatt? Elképzelhető, hogy az ajtó a talajhoz fagyott. Szüntesse meg az akadályozást.
- Elképzelhető, hogy a garázsajtó rugója eltört. Cseréltesse le (lásd a „Tervezés” című 3. pontot).

### Az ajtónyitót az egygombos vezérlőállomással működtethető, a távirányítóval nem:

- Programozza újra a távirányítót, és szükség esetén cserélje le az akkumulátorát. Ismétlje meg az összes távirányítónál.

### Az ajtó magától nyílik és csukódik:

- Bizonyosodjon meg arról, hogy az összes távirányító nyomógombja felengedett helyzetben van.
- Távolítsa el a csengődrótot az egygombos vezérlőállomás csatlakozójáról, és csak a távirányítóval próbálja az ajtót működtetni. Ha ezzel a probléma megoldódik, az azt jelenti, hogy az egygombos vezérlőállomás meghibásodott, vagy időnként zártatos lesz a vezeték. Cserélje le a vezérlőállomást.
- Törölje a memóriát, és programozza újra az összes távirányítót (kövesse a távirányítóhoz kapott utasításokat, vagy látogasson el a LiftMaster.eu oldalra).

### A távirányító nem működteti a garázsajtót:

- Ellenőrizze, hogy a zárás funkció nincs-e bekapcsolva az ajtóvezérlőn.
- Programozza újra a távirányítót.
- Ha a távirányító továbbra se képes működtetni az ajtót, nézze át a diagnosztikai kódokat, hogy a garázsajtónyitó megfelelően működik-e.

### A távirányító hatótávolsága rövid:

- Változtassa meg a távirányító helyét az autójában.
- Egyes helyeken a telepített rendszereknek a fémajtó, fóliázott szigetelés vagy a garázs fém oldalfalai miatt rövidebb a hatótávolsága.

### Az ajtó nem nyílik ki teljesen:

- Ellenőrizze az elektromos ajtózárat.
- Van valami az ajtó útjában? Nincs kiegyensúlyozva, vagy törött a rugó? Távolítsa el az akadályt vagy javítsa meg az ajtót.

### Az ajtó kinyílik, de nem csukódik be:

- Ellenőrizze, hogy a kábelfeszesség-figyelő helyesen van-e felszerelve. Ha egy második kábelfeszesség-figyelő el lett távolítva, az egyetlen kábelfeszesség-figyelő újratanuláshoz kövesse az utasításokat (lásd 14. pont).
- Az infravörös fotocellákat a garázsajtónyitó lefele irányba történő mozgatása előtt csatlakoztatni és megfelelően illeszteni kell. Ha állandó nyomást alkalmazva be tudja csukni az ajtót, győződjön meg arról, hogy az infravörös fotocellák megfelelően vannak telepítve, illetve vannak, és nincs az útjukban akadály.
- Ha a garázsajtónyitó világításai villognak, ellenőrizze az infravörös fotocellákat.
- Ha a garázsajtónyitó világításai nem villognak, és új telepítésről van szó (lásd 14. pont). Meglévő telepítés esetén lásd az alábbi részt.
- A beállítás befejezését követően ismétlje meg a biztonsági visszafordítás ellenőrzését
- 

### Az ajtó látszólag minden ok nélkül visszafordul, a garázsajtónyitó világításai azonban nem villognak:

- Ellenőrizze, hogy a kábelfeszesség-figyelő helyesen van-e felszerelve. Ha valamelyik kábelfeszesség-figyelőt eltávolították, csatlakoztassa le mindkét figyelőt a nyitóról. Ezt követően dugja be a használni kívánt figyelőt, majd egymás után háromszor húzza ki és dugja be a nyitó dugóját, hogy a nyitó újratanulja a figyelőt. A mellékelt 1k ellenállás csak a CTM beállítás hibaelhárítására használatos. Az EN12453 szabvány szerint a kábellezülés megfelelő észlelése érdekében kábelfeszesség-figyelőt kell beszerelni.
- Van valami az ajtó útjában? Húzza meg a vészkioldó kart. Működtesse kézzel az ajtót. Ha nincs kiegyensúlyozva vagy akad, hívjon ajtórendszerrel foglalkozó szakképzett technikust.
- Takarítsa el a jeget vagy havat a padlóról a garázs csukódási helyénél.
- Nézze át a 20. pontot.

A beállításokat követően ismétlje meg a biztonsági visszafordítás ellenőrzését.

#### **Az ajtóm nem csukódik be, és a világítás villog:**

Az infravörös fotocellákat a garázsajtónyitó lefele irányba történő mozgása előtt csatlakoztatni és megfelelően illeszteni kell.

- Győződjön meg arról, hogy az infravörös fotocellák megfelelően vannak telepítve, illetve vannak, és nincs az útjukban akadály.

#### **A garázsajtónyító nehezen tudja mozgatni az ajtót:**

- Előfordulhat, hogy az ajtó nincs kiegyensúlyozva, vagy a rugók eltörték. Csukja be az ajtót, majd a vészkioldó karral válassza le az ajtót. Kézileg nyissa ki és csukja be az ajtót. A megfelelően kiegyensúlyozott ajtó az útján bárhol képes egy helyben megmaradni úgy, hogy a tömegét a rugói megtartsák. Ellenkező esetben válassza le a garázsajtónyítót, és hívjon ajtórendszerekkel foglalkozó szakképzett technikust.

#### **A garázsajtónyító motorja röviden felúg, de nem kezd dolgozni:**

- Elképzelhető, hogy a garázsajtó rugói eltörték. Lásd fent.
- Ha a probléma a garázsajtónyító első használatakor történik, elképzelhető, hogy az ajtó be van zárva. Oldja ki az elektromos ajtózárat

#### **A garázsajtónyító áramkimaradás miatt nem működik:**

- Oldja ki kézzel az elektromos ajtózárat.
- A vészkioldó karral válassza le az ajtót. Az ajtó kézileg nyitható és zárható. Az áramellátás helyreállásakor húzza meg még egyszer a kézi kioldókart.
- Oldjon ki minden ajtózárat. A vészkioldó karral válassza le az ajtót. Az ajtó kézileg nyitható és zárható.

#### **Az ajtókapcsoló elvétí a végállásait:**

- A karima nincs biztosan rögzítve. Húzza meg a karimát, és programozza újra a végállásokat (lásd 20. pont).

#### **A garázsajtónyító elmozdul az ajtó működése közben:**

- Ennél a terméknél az enyhe elmozdulás normális jelenségnek számít. Túlzott mértékű elmozdulás esetén azonban a karima idő előtt elkophat.
- Ellenőrizze, hogy a torziós rúd nem tér-e ki túlzott mértékben balra/jobbra.
- Ellenőrizze, hogy a torziós rúd a forgása közben nem mozog-e láthatóan fel-le.
- Ellenőrizze, hogy a nyitó merőlegesen lett-e a fogaskeréktengelyhez szerelve. Ellenkező esetben vigye arrébb a szerelőkegelyt.

#### **Az automata ajtózárat csatlakoztatójzatába nem illik az ajtónyitó csatlakozódugója:**

- A régi típusú 24 V-os ajtózárat nem kompatibilisak. Használja a 841EU típusú automata ajtózárat (lásd „Kiegészítők” című oldal)

#### **Az automata garázsajtózárat nem kapcsol be a garázsajtó nyitásokor vagy zárásokor:**

- Akkumulátoros üzemmódban az automata garázsajtózárat a garázsajtó nyitásokor ki fog oldani, és az áramellátás helyreállásáig kikapcsolva marad.

#### **Az ajtónyitó sípol:**

- Ez váratlan zárást jelez. A nyitót a MyQ alkalmazás, vagy a garázsajtó- és ajtóvezérlő hozta működésbe.
- A folyamatosan világító, 2 másodpercenkénti sípolással kísért narancssárga LED-fény azt jelenti, hogy az ajtónyitó akkumulátoros üzemben van.
- A villogó, 30 másodpercenkénti sípolással kísért narancssárga LED-fény azt jelenti, hogy az akkumulátor töltése alacsony.
- A folyamatosan világító, 30 másodpercenkénti sípolással kísért piros LED-fény azt jelenti, hogy a 12 V-os akkumulátor már nem képes töltést tárolni, ezért le kell cserélni.

#### **A garázsajtó sípol és a piros LED villog:**

Az akkumulátor töltése alacsony, vagy az akkumulátor lemerült.

- Cserélje le az akkumulátort.

#### **A MyQ Smartphone Control, a vezeték nélküli MyQ eszközök és az időzített becsukás (TTC) funkció nem működik:**

- Ha akkumulátoros üzemmódban van, a MyQ Smartphone Control, a vezeték nélküli MyQ eszközök, valamint az időzített becsukás funkció le lesznek tiltva.
- Az időzített becsukás funkció vagy a MyQ Smartphone Control ajtóvezérlésének használatához a MyQ Remote LED világításnak telepítve kell lennie. Dugja be a MyQ Remote LED világítást, és győződjön meg róla, hogy hozzá van programozva a garázsajtónyítóhoz. Az időzített becsukás funkció és a MyQ Smartphone Control alkalmazás engedélyezése legfeljebb 5 percet vesz igénybe.

## 33 Opcionális kiegészítők

Mindig használjon LiftMaster kiegészítőket.

A külsős termékek meghibásodáshoz vezethetnek.

1.	TX4UNIF	4 csatornás univerzális távirányító
2.	TX4EVS	4 csatornás távirányító
3.	TX4UNI/S	4 csatornás univerzális távirányító
4.	128EV	Vezeték nélküli 2 csatornás fali vezérlő
5.	747EV	Billentyűzet
6.	78EV	Vezetékes multifunkciós fali vezérlő
7.	FLA-1LED	Jelzővilágítás
8.	772E	Fotocellák
9.	100034	Kulcskapcsoló (felfekvő szerelésű)
10.	100041	Kulcskapcsoló (felületi szerelésű)
11.	829EV	Garázsajtó-figyelő
12.	485EU	Segédakkumulátor
13.	827EV	MyQ Remote LED világítás:
14.	041A9264	Kábelfeszesség-figyelő
15.	841EU	Automata ajtózárr

## 34 Műszaki adatok

Bemeneti feszültség	230–240 V AC, 50 Hz
Max. Nyomaték	36 NM - AC + AKKUMULÁTOR 29 NM - AC
Névleges nyomaték	10 Nm
Teljesítményfelvétel	150 W
Készenléti teljesítményfelvétel	2,6 W
Motor típusa	Állandó kenésű egyenáramú meghajtómotor
Zajszint	57 dB
Mozgatási sebesség	21 ford./perc (lefele), 36 ford./perc (feléle)
Személyi biztonság	Nyomógomb és automatikus leállítás lefele irányban. Nyomógomb és automatikus leállítás feléle irányban.
Elektronikus	Automatikus erőbeállítás
Elektromos	Transzformátor-túlterhelésvédő és törpefeszültségű nyomógomb-huzalozás.
Határolóeszköz	Optikai fordulatszám-érzékelő / Passpoint érzékelő.
Végállás-beállítás	Elektronikus, félautomata és teljesen automata.
Indító áramkör	Törpefeszültségű nyomógomb-áramkör.
Max. ajtómagasság	3 m
Max. ajtószélesség	5,5 m
Max. ajtóterület	16.5 m <sup>2</sup>
Max. ajtó súlya	130 kg
Függő tömeg	11 kg
Vevőegység memóriatárhelye	64
Üzemi frekvencia	433 / 868 MHz, 2,4 GHz

## 35 Automata garázsajtónyitó biztonsági és karbantartási útmutató

### GARÁZSAJTÓNYÍTÓ-BIZTONSÁG – EGY AUTOMATIKUS

A garázsajtó otthonunk legnagyobb mozgó kelléke. A helytelenül beállított garázsajtó és -nyitó akár halálos erőt is képes kifejteni az ajtócsukáskor, így gyermekekre vagy felnőttekre rácsukódva sérülést, sőt, akár halált is okozhat.

A garázsajtó és az automata nyitó megfelelő telepítése, üzemeltetése, karbantartása és ellenőrzése nélkülözhetetlen a rendszer biztonságos és problémamentes működésnek biztosításához. A gondatlan használat vagy az, ha megengedi a gyermekeknek, hogy a garázsajtónyitó vezérlővel játszanak, vagy hogy használják őket, szintén veszélyes, és tragikus eredményhez vezethetnek. Néhány egyszerű óvintézkedés betartásával megóvhatja családját és ismerőseit a lehetséges sérülésektől. Kérjük, gondosan nézze át az ebben a brosúrában felsorolt biztonsági és karbantartási javaslatainkat, és őrizze meg, hogy bármikor belenézhesen. Ellenőrizze a garázsajtó és a nyitó működését, hogy biztos legyen abban, hogy biztonságosan és problémamentesen működnek. Mindenképpen olvassa el a garázsajtónyitó útmutatójában foglalt fontos biztonsági információkat, mivel az több részletet és biztonsági szempontot is tartalmaz, mint ez a brosúra

#### A garázsajtónyítók nem játékok

Beszélje meg a garázsajtó és a nyitó biztonsággal kapcsolatos vonatkozásait a gyermekeivel. Magyarázza el nekik az ajtó alatt rekedés veszélyességét.



**Tartsa magát távol a mozgó ajtótól.**



**A jeladók és távirányítók a gyermekektől elzárva tartandók.** Ne engedje a gyermekeknek, hogy játszanak a jeladókkal vagy más távvezérlő eszközökkel, illetve hogy használják őket.



**A falra szerelt nyomógombnak gyermekek által nem elérhető helyen kell lennie,** legalább 1,5 méterre a legközelebbi állófelülettől, és minden mozgó alkatrészétől távol. A gombot olyan helyre kell felszerelni és ott kell használni, ahonnan tökéletesen rá lehet látni a záródó garázsajtóra.



**A falra szerelt nyomógomb vagy a jeladó működtetésekor mindaddig tartsa a szemét az ajtón, amíg teljesen be nem csukódik.**



## 36 Az időszakos karbantartással megelőzhető a tragédiák



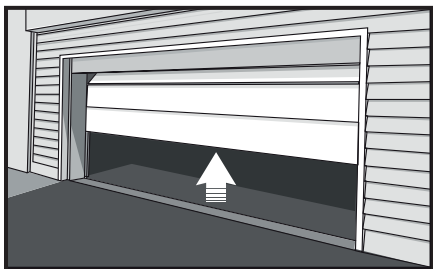
**FIGYELEM** – A rugók erősen vannak feszítve.  
Csak szakképzett személyek állíthatják be őket.

### Az ajtó és a telepítés szemrevételezéses ellenőrzése:



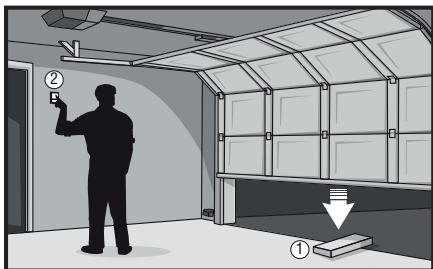
- Az ajtó becsukott helyzetében a kézi kioldókar használatával válassza le az ajtót a nyitóról.
- Nézze meg, hogy van-e látható jele a vasalatok, görgők, rugók és ajtópanelek kopásának.
- Ezek az alkatrészek rendszeres időközönként kenést igényelnek. A javasolt karbantartási műveleteket lásd a használati útmutatóban.
- Ha egyértelmű sérülésre utaló jelt lát, segítségért forduljon ajtórendszerekkel foglalkozó szakképzett technikushoz.
- Győződjön meg arról, hogy a fotocella nincs a padlótól 15 cm-nél magasabban elhelyezve.

### Az ajtó megfelelő működésének ellenőrzése:



- Kézileg nyissa ki és csukja be az ajtót a fogantyúknál vagy alkalmas fogási pontoknál.
- Az ajtónak szabadon, nehézségek nélkül kell mozognia.
- Az ajtónak kiegyensúlyozva kell lennie, és a padlótól 90–120 cm-re részben nyitott állapotban kell maradnia.
- Ha nem megfelelő működésre utaló jelt tapasztal, segítségért forduljon ajtórendszerekkel foglalkozó szakképzett technikushoz.

### A nyitó biztonsági funkcióinak ellenőrzése:



- Csatlakoztassa vissza a nyitót az ajtóhoz a kézi kioldókarral, és nyissa ki az ajtót.
- Helyezzen egy 40 mm magas lapos deszkát az ajtó útjába (1), és próbálja meg becsukni (2). Az ajtónak a deszkával érintkezve irányt kell váltania.
- Egy tárgyat az érzékelő előtt lengetve szakítsa meg a fotocellás érzékelő fénySOROMPÓJÁT, és próbálja meg bezárni az ajtót. Az ajtónak nem szabad bezárnia, kivéve, ha a művelet közben a falra szerelt nyomógombot lenyomva tartja.
- Ha a nyitó nem a leírtak szerint működik, segítségért forduljon ajtórendszerekkel foglalkozó szakképzett technikushoz.

## Huomautus:

Alkuperäiset asennus- ja käyttöohjeet laadittiin englanniksi.

Muut saatavissa olevat kielet ovat alkuperäisen englanninkielisen version käännöksiä.

<b>1</b>	Yleiset turvallisuusohjeet .....	2
<b>2</b>	Käyttötarkoitus .....	3
<b>3</b>	Oven toiminnan suunnittelu .....	3
<b>4</b>	MyQ-toiminnan suunnittelu .....	3
<b>5</b>	Autotallinoven valmistelu .....	4
<b>6</b>	Tarvittavat työkalut .....	4
<b>7</b>	Laatikon sisältö .....	4
<b>8</b>	Vaadittavat lisävarusteet .....	4
<b>9</b>	Kauluksen kiinnittäminen autotallinoven avaajaan .....	5
<b>10</b>	Kiinnityskannakkeen kiinnittäminen autotallinoven avaajaan .....	5
<b>11</b>	Asemoi ja kiinnitä autotallinoven avaaja .....	5
<b>12</b>	Hätävapautusköyden ja kahvan kiinnittäminen .....	5
<b>13</b>	Automaattisen ovilukon asentaminen .....	6
<b>14</b>	Kaapelin kireysmonitorin 041A9264 kiinnittäminen (pakollinen lisävaruste) .....	6
<b>15</b>	MyQ kauko-ohjattavan LED-valon asentaminen (suunniteltu vain kuiville alueille) .....	7
<b>16</b>	Sähkötöytä .....	7
<b>17</b>	Valokennojen asentaminen .....	7
<b>18</b>	Virran kytkeminen .....	8
<b>19</b>	Akkuvaraiminnon asentaminen (Lisävaruste) .....	8
<b>20</b>	Kulun ohjelmointi .....	9
<b>21</b>	Testaa suunnanvaihdoksen turvajärjestelmä .....	9
<b>22</b>	Oven avaaminen manuaalisesti .....	10
<b>23</b>	Autotallinoven avaajan käyttö .....	10
<b>24</b>	Yhteydenmuodostus älypuhelimella .....	12
<b>25</b>	Ohjelmoi avaaja ja kaukosäädin / langaton painike / langaton näppäimistö (lisävaruste) .....	13
<b>26</b>	MyQ kauko-ohjattavan LED-valon ohjelmointi .....	13
<b>27</b>	Muistin tyhjentäminen .....	14
<b>28</b>	Autotallinoven avaajan huolto ja hoito .....	14
<b>29</b>	Kaukosäätimen paristojen vaihto .....	14
<b>30</b>	Hävitys .....	15
<b>31</b>	Vianmäärityskaavio .....	15
<b>32</b>	Vianmääritys .....	16
<b>33</b>	Lisävarusteet .....	18
<b>34</b>	Tekniset tiedot .....	18
<b>35</b>	Automaattisen autotallinoven avaajan turvallisuus- ja huolto-opas .....	19
<b>36</b>	Säännöllinen huolto voi estää tragedioita .....	20

# VAROITUS!

## ALOITA LUKEMALLA NÄMÄ TÄRKEÄT TURVALLISUUSOHJEET!

### 1 Yleiset turvallisuusohjeet

Ennen asennuksen aloittamista:

Lue käyttöohjeet ja erityisesti varoitoimenpiteet. Säilytä käyttöopas tulevaa tarvetta varten ja siirrä se mahdolliselle myöhemmälle omistajalle. Seuraa-  
vat symbolit on asetettu ohjeiden eteen henkilö- ja omaisuusvahinkojen välttämiseksi. Lue nämä ohjeet huolellisesti.



**NOUDATA VAROVAISUUTTA**  
Henkilö- tai omaisuusvahinko



**NOUDATA VAROVAISUUTTA**  
Vaara sähkövirrasta tai -jännitteestä  
johtuen

#### Tärkeitä turvallisuustietoja

Automatisoitu ovenavausjärjestelmä on testattu ja suunniteltu turvalliseen käyttöön, mutta turvallisuus voidaan taata vain, jos alla lueteltuja turvallisuusohjeita noudatetaan tarkasti asennuksen ja käytön aikana. Tuote on tarkoitettu vain koulutettujen autotallinovien asentajien asennettavaksi.

Tuote voi vaalia säätöjä oven jousiin ja/tai kiskokokoonpanoihin. Tuotetta ei ole tarkoitettu käytettäväksi matalan sisäkorkeuden kiskoilla ulkopuolisen nostorummun kanssa tai autotallinovissa, jotka käyttävät jatkojousia.

- Asentajan (asiantuntijan) on huolellisesti luettava ja ymmärrettävä nämä ohjeet ennen työn aloittamista. Asiantuntijan on tarkistettava sähköikkunat, -ovet ja -portit ennen ensimmäistä käyttöä ja vähintään kerran vuodessa turvallisen kunnan varalta. Asiantuntija on henkilö, jolla teknisen koulutuksen ja kokemuksen perusteella on riittävät tiedot sähköikkunoiden, -ovien ja -porttien alalta sekä on perehtynyt asiaankuuluihin työturvallisuusmääräyksiin, ja yleisesti hyväksytyihin teknisiin sääntöihin siinä määrin, että hän myös pystyy arvioimaan sähköikkunoiden, -ovien ja -porttien turvallisen toimintakunnan.
- Asennuksen suorittavan henkilön on tunnettava seuraavat standardit: EN 13241, EN 12604, EN 12453. Koulutetun asiantuntijan/erikoisosaajan on ohjeistettava käyttäjälle seuraavat asiat: - Käyttölaitteen toiminta ja vaarat - Manuaalisen hätälukitusmekanismin käsittely - Säännöllinen huolto, tarkastus ja hoito ja käyttäjän tehtävät - Käyttäjän on ohjeistettava muut käyttäjät käyttölaitteen toimintaan. Onnistuneen käyttölaitteen asennuksen jälkeen käyttölaitteen asennuksesta vastuussa olevan henkilön on Konedirektiivin 2006/42/EY mukaisesti laadittava EY-vaatimustenmukaisuusvakuutus porttijärjestelmälle. Porttijärjestelmään on kiinnitettävä CE-merkintä ja tyyppikilpi. Tämä on pakollista myös silloin, kun manuaalisesti toimivaan porttiin tehdään jälkiasennus. Luovutusprotokolla ja tarkistuskirja on täytettävä.
- Ovi on tasapainotettava. Liikkumattomat tai jumittuneet ovet on korjattava. Epätasapainossa autotallinovet, ovijouset, kaapelit, levyt, kiinnittimet ja kiskot ovat äärimmäisen jännityksen alla, mikä voi johtaa vakaviin henkilövahinkoihin. Älä yritä irrottaa, siirtää tai uudelleenkohdistaa ovea, vaan ota yhteyttä huoltokeskukseen tai oviammattilaiseen.
- Ovenavaajan asennuksen tai huollon aikana ei saa käyttää koruja, kelloja tai löysiä vaatteita.
- Vältä vakavat henkilövahingot kiinnittämisen vuoksi irrottamalla kaikki oveen kytketyt kaapelit ja ketjut ennen ovenavaajan asentamista.
- Asennuksen ja sähkökytkentöjen aikana on noudatettava paikallisia rakennus- ja sähkömääräyksiä.
- Kaapelin kireysmonitorin asennus on pakollinen standardin EN12453 mukaisesti.
- Vältä erittäin kevyiden ovien (kuten lasikuitu-, alumiini- tai teräsovet) vahingot lisäämällä asianmukaiset vahvistukset. Tee tämä ottamalla yhteyttä oven valmistajaan.
- Automaattisen suunnanvaihdoksen turvajärjestelmän on läpäistävä testi. Kun autotallinovi koskettaa 40 mm korkeaan esteeseen maassa, oven ON palauduttava. Ovenavaajan asianmukaisen säädön laiminlyönti voi johtaa vakavaan henkilövahintaan autotallinovien sulkemisesta. Toista testi kerran kuukaudessa ja tee tarvittavat muutokset.
- Järjestelmää ei saa asentaa kosteille tai märille alueille.
- Käytön aikana portti ei saa missään olosuhteissa estää julkisia kulkuväyliä.
- Muistutuksena kaikille käyttäjille turvallisuudesta valaistun seinäkytkimen lisäksi on kiinnitettävä varoitusmerkki lasten suojelun vuoksi. Varoitusmerkit kompastumisvaarasta on asetettava selkeästi näkyviin paikkoihin.
- Lapsia on valvottava, jotta varmistetaan, että he eivät leiki laitteella. Älä anna lasten käyttää painikkeita tai kaukosäätimiä.
- Laitetta ei ole tarkoitettu sellaisten henkilöiden (lapset mukaan lukien) käytettäväksi, jolla on alentuneet fyysiset, aistinvaraiset tai henkiset kyvyt tai joilla ei ole kokemusta ja/tai tietoa, elleivät he ole heidän turvallisuudestaan vastuussa olevan henkilön valvonnassa tai elleivät he ole saaneet ohjeita laitteen käyttöön.
- Kaikki esteet/lukot poistetaan käytöstä oven vahinkojen välttämiseksi.
- Tarvittaessa asennettu säätölaite ON kiinnitettävä näkyvälle paikalle oven läheisyyteen ja pois lasten ulottuvilta. Lasten ei saa antaa käyttää painikkeita tai kaukosäätimiä. Ovenavaajan väärinkäyttö voi johtaa vakaviin henkilövahinkoihin.
- Ovenavaaja saa käyttää VAIN, jos käyttäjä näkee koko ovialueen ja varmistetaan, että siinä ei ole esteitä ja että ovenavaaja on asianmukaisesti asetettu. Kukaan ei saa mennä ovesta sen liikkumassa. Lasten ei saa antaa leikkiä oven läheisyydessä.
- Käytä manuaalista vapautusta vain alustan erottamiseen käyttölaitteesta ja - jos mahdollista - VAIN oven ollessa kiinni. Älä käytä punaista kahvaa oven työntämiseen ylös tai vetämiseen alas.
- Ennen korjaustöiden suorittamista tai kansion poistamista, ovenavaaja on irrotettava sähkövirransyötöstä. **Korjaukset ja sähköasennukset saa suorittaa vain valtuutettu sähköasentaja.**

- Tässä tuotteessa on muuntaja, jossa on erikoisvirtajohto. Vahinkotapauksessa pätevän asentajan ON vaihdettava tämä alkuperäiseen muuntaajaan.
- Hätävapautuspainikkeen käyttö voi johtaa oven hallitsemattomiin liikkeisiin, jos jouset ovat heikot tai rikkoutuneet, tai jos ovi on epätasapainossa.
- Asenna hätävapautuksen avauskahva alle 1,80 metrin korkeudelle.
- Timer-to-Close (TTC) -ominaisuus, MyQ-älypuhelinohjaussovellus ja MyQ-autotallinovi- ja porttimonitori ovat esimerkkejä valvomattomasta sulkeutumisesta ja niitä saa käyttää VAIN lamellinosto-ovien kanssa. Kaikkia laitteita tai ominaisuuksia, jotka mahdollistavat oven sulkeutumisen ilman näkyvyyttä ovelelle, pidetään valvomattomana sulkeutumisenä. Timer-to-Close (TTC) -ominaisuutta, MyQ-älypuhelinohjausta ja muita mahdollisia MyQ-laitteita saa käyttää VAIN lamellinosto-ovien kanssa.
- Käyttölaitetta ei saa käyttää ovessa, joka liittyy liukuoveen

Pida nämä ohjeet tallell.

## 2 Käyttötarkoitus

Laitte on tarkoitettu vääntösauvaa ja jousia käyttävien ovien avaamiseen ja sulkemiseen (katso osaa 3 "Suunnittelu"). Laitetta ei ole tarkoitettu kaupalliseen käyttöön, vaan ainoastaan käytettäväksi yksityisissä autotallinoveissa, jotka soveltuvat yksittäisille kotitalouksille. Käyttölaitteen mahdollinen virheellinen käyttö lisää onnettomuusriskkejä. Valmistaja ei hyväksy vastuuta tällaisesta käytöstä. Vain LiftMasterin alkuperäisiä lisävarusteita saa kytkä käyttölaitteeseen. Tällä käyttölaitteella automaattiporttien on noudatettava tällä hetkellä voimassaolevia kansainvälisiä ja maakohtaisia ja paikallisia standardeja, ohjeita ja määräyksiä (EN 13241, EN 12453 ja EN 12604).

## 3 Oven toiminnan suunnittelu

Tarkasta alue nähdäksesi soveltuvatko alla olevat ehdot järjestelmäsi. Vaatimuksistasi riippuen lisämateriaaleja voidaan tarvita.

OVENAVAAJA ON YHTEENSOPIVA SEURAAVIEN KANSSA:

- Ovet, jotka käyttävät vääntösauvaa ja jousia. Vääntösauvan halkaisijan on oltava 25,4 mm. Ei yhteensopiva käänteisepäkekorumpujen kanssa.
- 80-120 mm:n rummut, ei saa käyttää yli 120 mm:n suippenevien rumpujen kanssa.
- Vakionoston lamellinosto-ovet jotka ovat enintään 3 m korkeita.
- Enintään 5,5 m leveät ovet.
- Ovet, joiden pinta-ala on enintään 16,5 m<sup>2</sup>.

**HUOMAUTUS:** Tarkasta vääntösauva, kun ovea nostetaan ja lasketaan. On tärkeää, että huomattavaa liikettä ylös ja alas tai vasemmalle ja oikealle ei ole. Jos liikettä ei korjata, autotallinoven avajaan käyttöikä vähenee huomattavasti.

Tarkista tai tutki ehdotettu asennusalue. Ovenavaaja voidaan asentaa oven vasemmalle tai oikealle puolelle. Valitse puoli, joka vastaa alla lueteltuja vaatimuksia.

- a. Seinän ja vääntösauvan keskustan välillä on oltava tilaa vähintään 6,4 cm.
- b. Katon ja vääntösauvan keskustan välillä on oltava tilaa vähintään 7,6 cm.
- c. Sivuseinän (tai esteen) ja vääntösauvan keskustan välillä on oltava tilaa vähintään 21,6 cm.
- d. Vääntösauvan on ulotuttava vähintään 3,81 cm laakerin ohitse. Tämä voi vaihdella asennusvaatimuksistasi riippuen.
- e. Sähköpistorasian on oltava 1,83 m sisällä asennusalueella. Jos pistorasiaa ei ole, ota yhteyttä pätevään sähköasentajaan.

## 4 MyQ-toiminnan suunnittelu

Käyttäjällä on mahdollisuus MyQ-ohjaukseen - sähkösilmiä asennus on pakollinen. Valvo ja ohjaa autotallinoveasi mistä vain MyQ-sovellusta käyttäen.

ENNEN ALOITTAMISTA:

Tarvitset:

- Wi-Fi-valmiuksien älypuhelimien, tabletin tai kannettavan tietokoneen
- Laajakaista-internet-yhteyden
- Wi-Fi-signaalin autotallissa (2,4 Ghz, 802,11b/g/n vaaditaan)
- Salasana kotiverkkoon (reitittimen päätilli, ei vierasverkko)

TESTAA WI-FI-SIGNAALIN VAHVUUS

Varmista, että mobiililaitteesi on yhdistetty Wi-Fi-verkkoon. Pidä mobiililaitteesi paikassa, johon autotallinoven avaja asennetaan ja tarkista Wi-Fi-signaalin vahvuus.

**Wi-Fi-signaali on vahva.**

Autotallinoven avaja yhdistyy Wi-Fi-verkkoon.

**Wi-Fi-signaali on heikko.**

Autotallinoven avaja voi yhdistyä Wi-Fi-verkkoon. Jos ei, kokeile yhtä alla olevista vaihtoehdoista parantaaksesi Wi-Fi-signaalia:

**Ei Wi-Fi-signaalia.**

Autotallinoven avaja ei pysty muodostamaan yhteyttä Wi-Fi-verkkoon. Kokeile yhtä alla olevista vaihtoehdoista parantaaksesi Wi-Fi-signaalia:

- Siirrä reititin lähemmäksi autotallinoven avajaa minimoidaksesi häiriön seinistä ja muista esineistä.
- Osta Wi-Fi-alueen laajennin.

## 5 Autotallinoven valmistelu



**HUOMIO:** Soita paikalle AINA koulutettu ovijärjestelmien asentaja, mikäli autotallin ovi taipuu, juuttuu tai on epätasapainossa. Epätasapainossa oleva autotallinovi EI ehkä vaihda suuntaa tarvittaessa. **ÄLÄ KOSKAAN** yritä irrottaa, liikuttaa tai säätää autotallinovea, oven jousia, kaapeleita, väkipyöriä, kannattimia tai niiden laitteita, joista **KAIKKIIN** kohdistuu **ÄÄRIMMÄINEN** jännitys. Poista **KAIKKI** lukot käytöstä ja irrota **KAIKKI**

köydet/narut, jotka on kiinnitetty autotallinoveen **ENNEN** autotallinoven avajaan asentamista ja käyttöä kiinnittarttumisen välttämiseksi. Tämä avausjärjestelmä on varustettu valvomattomalla toimintaominaisuudella. Ovi voi avautua odottamattomasti. **ÄLÄ KOSKAAN MENE LIIKKUVAN OVEN KULKUREITILLE.**

**ENNEN ALOITTAMISTA:**

- Ota lukot pois käytöstä.
- Poista mahdolliset autotallinoven kiinnitetty köydet/narut.

Suorita seuraava testi varmistaaksesi, että autotallin ovi on tasapainossa eikä juutu tai taivu.

- Nosta ovi puoliväliin ylös. Päästä ovesta irti. Jos ovi on tasapainossa, sen pitäisi pysyä paikallaan täysin jousiensä varassa.
- Nosta ja laske ovea tarkistaaksesi taipumisen tai juuttumisen varalta.
- Yli 130 kg painavat ovet **EIVÄT** saa avautua tai laskeutua nopeasti.

Jos ovi taipuu, juuttuu tai on epätasapainossa, soita koulutetulle ovijärjestelmien asentajalle.

## 6 Tarvittavat työkalut

Autotallinoven avajaan kokoamisen, asennuksen ja säädön aikana ohjeiden noudattamiseen tarvitaan seuraavat alla kuvatut käsityökalut.

- |                  |                                     |
|------------------|-------------------------------------|
| 1. Tikapuut      | 7. Ruuviavain                       |
| 2. Pora          | 8. Vesivaaka                        |
| 3. MITTANAUHA    | 9. Sorkkavasara                     |
| 4. Sivuleikkurit | 10. Hylsy ja jakoavain jatko-osalla |
| 5. Pihdit        | 11. Säädettävä kiintoavain          |
| 6. Poranterät    | 12. Lyijykynä                       |

## 7 Laatikon sisältö

Jos jotain puuttuu, tarkista pakkausmateriaali huolellisesti.

AUTOTALLINOVEN AVAAJAN		LAITEPUSSI	
1. Autotallinoven avaja, LM3800W	1x	11. Ruuvi 15 mm	2x
2. Automaattinen autotallinoven lukko, 841EU	1x	12. Ruuvi 54,8 mm	4x
3. KIINNITYSKANNAKE	1x	13. KAHVA	1x
4. KAULUS JA ASETUSRUVIT	1x	14. KÖYSI	1x
5. TURVATARRAT	1x	15. Ruuvi 15 mm	2x
6. 4-painikkeinen kaukosäädin, TX4EVF	2x	16. KIPSILEVYKIINNITIN (RUUVATTAVA) 36,8 MM	4x
7. MyQ kauko-ohjattava LED-valo, 827EV	1x	17. Ruuvi 22 mm	2x
8. KÄYTTÖOPAS			
KAUKO-OHJATTAVAN VALON LAITTEISTO			
9. Kipsilevykiinnitin (ruuvattava) 42 mm	2x		
10. Ruuvi 27,85 mm	2x		

## 8 Vaadittavat lisävarusteet

Kaapelin kireysmonitori 041A9264.

Infrapunavalokennot (MyQ-toiminnalle: - 771EV tai- 772E tai- 771EVK tai- G770E).

## 9 Kauluksen kiinnittäminen autotallinoven avajaan

*Jotta välttäisit asennusongelmat, älä käytä autotallinoven avajaa ennen siihen ohjeistamista.*

Autotallinoven avajaa voidaan asentaa oven kummallekin puolelle (katso Suunnittelu-osa). Näytetyt kuvat ovat järjestelmälle, joka on kuvalehdellä.

1. Löysää asetusruuvit.
2. Kiinnitä kaulus autotallinoven avajaan moottorin akseliin. Se kauluksen sivu, jossa on suurempi reikä, asetetaan moottorin akseliin.
3. Varmista, että kaulus istutetaan koko matkalta moottorin akseliin, kunnes pysäytin saavutetaan.
4. Asenna kaulus siten, että ruuvit osoittavat ulospäin ja ovat käsiteltävissä, kun ne on kiinnitetty vääntösauvaan.
5. Kiristä lähimpänä moottorin akselia olevia 2 neliökantaista asetusruuvia kääntämällä ruuveja 1/4-1/2 kierrosta sen jälkeen, kun ne koskettavat moottorin akseliin.

## 10 Kiinnityskannakkeen kiinnittäminen autotallinoven avajaan



1. Kiinnitä kiinnityskannakkeen lovettu puoli löysästi autotallinoven avajaan kauluksen kanssa samalle puolelle käyttämällä mukana toimitettuja ruuveja (11).

**HUOMAUTUS:** Älä kiristä ruuveja, ennen kuin siihen ohjeistetaan.

## 11 Asemoi ja kiinnitä autotallinoven avajaa.



Betoniankkureita ON käytettävä, jos kannake kiinnitetään muuraukseen. ÄLÄ KOSKAAN yritä irrottaa, liikuttaa tai säätää autotallinovea, jousia, kaapeleita, väkipyöriä, kannakkeita tai niiden laitteistoa, joista KAIKKIIN kohdistuu ÄÄRIMMÄINEN jännitys. Soita paikalle AINA koulutettu ovijärjestelmien asentaja/asiantuntija, mikäli autotallin ovi taipuu, juuttuu tai on epätasapainossa. Epätasapainossa oleva autotallinovi EI ehkä vaihda suuntaa tarvittaessa. Autotallinoven avajaa ON asennettava oikeaan kulmaan vääntösauvaan nähden, jotta estetäisiin kauluksen enneaikainen kuluminen. Ota paikan vaatimukset huomioon.

**HUOMAUTUS:** Näet lisää asennusvaihtoehtoja lisävarusteiden sivulta.

1. Sulje autotallinovi kokonaan.
2. Liu'uta autotallinoven avajaa vääntösauvan päähän. Jos vääntösauva on liian pitkä tai vahingoittunut, sitä voi olla tarpeen leikata. Varmista, että kaulus EI koske laakeriin.
3. Käytä vesivaakaa autotallinoven avajaan asemointiin ja pystysuoraan kohdistukseen. Tarkista, että kiinnityskannake sijaitsee tukevalla pinnalla, kuten puu, betoni tai oven/lapan kannatin. Jos asennus tehdään kipsilevyille, kiinnityskannake ON kiinnitettävä kantaan.
4. Kun autotallinoven avajaa on asianmukaisesti kohdistettu, merkitse kiinnityskannakkeen reiät. Kiristä kauluksen ruuveja tarvittaessa vääntösauvaan pitääksesi autotallinoven avajaan paikallaan reikiä merkittäessä. HUOMAUTUS: Autotallinoven avajaan ei tarvitse olla samalla tasolla seinän kanssa.
5. Irrota autotallinoven avajaa vääntösauvasta. Poraa 5 mm:n ohjausreiät merkittyihin paikkoihin. Poraa metallisten ovikiskolevyjen läpi tarvittaessa.
6. Liu'uta autotallinoven avajaa takaisin vääntösauvaan, kunnes ohjausreiät ovat kohdakkain kannakkeen kanssa.
7. Kiristä 2 neliökantaista asetusruuvia vääntösauvaan. Jos vääntösauva on onnto, kiristä ruuveja 3/4-1 kierrosta sen jälkeen, kun se on saanut kosketuksensaavaan. Jos vääntösauva on umpinainen, kiristä ruuveja 1/4 - ei enempää kuin 1/2 kierrosta sen jälkeen, kun se on saanut kosketuksen akseliin. Jos asennus tehdään kiiloitettuun vääntösauvaan, ÄLÄ kiristä ruuveja kiilaussäällä.
8. Kiinnitä kiinnityskannake seinään ja autotallinoven avajaan. Käytä ruuveja (12) kiinnityskannattimen kiinnittämiseen seinään.

## 12 Hätävapautusköyden ja kahvan kiinnittäminen



Jos mahdollista, käytä hätävapautuskahvaa oven irrottamiseen VAIN, kun autotallinovi on SULJETTU. Kuluneet tai rikkiinäiset jouset tai epätasapainossa oleva ovi voivat saada avoimen oven putoamaan nopeasti ja/tai yllättäen. ÄLÄ KOSKAAN käytä hätävapautuskahvaa, ellei autotallin oviaukko ole tyhjänä ihmisistä ja esteistä.

1. Laita yksi hätävapautusköyden pää kahvan läpi. Varmista, että "OHJE" on oikea puoli ylöspäin. Tee umpisolmu vähintään 2,5 cm köyden päästä estämään luisuminen.
2. Laita toinen hätävapautusköyden pää reian läpi pyörän vapautusvarteen. Kiinnitä hätävapautus käden ulottuville, mutta vähintään 1,83 m lattiaasta ja vältä kosketusta autoihin estääksesi tahattoman vapautuksen. Kiinnitä umpisolmulla.

**HUOMAUTUS:** Jos köyttä on leikattava, kuumasauvaa leikkuupää tulitikkulla tai syyttimellä rispaantumisen estämiseksi

## 13 Automaattisen ovilukon asentaminen

Automaattista ovilukkoa (malli 841EU) käytetään estämään oven manuaalinen avaaminen, kun ovi on täysin kiinni.

**HUOMAUTUS:** Vanhemman mallin 24 V ovilukot eivät ole yhteensopivia.

1. Lukko on asennettava 3,05 m sisälle oven avajaista. Jos mahdollista, asenna samalle puolelle oven avajaan kanssa.
2. Varmista, että kiskon pinta on puhdas ja kiinnitä lukkopohja kiskoille niin, että pultin reikä on noin 7,6 cm ovikelan keskustasta.
3. Poraa reiät pohjaan merkittyihin kohtiin.
4. Kiinnitä automaattinen ovilukko oven kiskojen ulkopuolelle mukana toimitetuilla välineillä.
5. Juoksuta kellojohto ylös oven avajaan. Käytä eristettyjä niittejä (lisävaruste) kiinnittämään johto useista kohdista. Syötä johto ovenavaajan pohjasta.
6. Kytke liiini jompaankumpaan ovenavaajan pistokkeista. Toissijainen ovilukko (841EU) voidaan asentaa vastakkaiselle puolelle ovea noudattamalla yllä annettuja ohjeita.

### TESTAA AUTOMAATTINEN OVILUKKO

1. Kun ovi on täysin kiinni, automaattisen ovilukon pultin (B) pitäisi työntyä ulos kiskon läpi.
2. Käytä ovea auki-asennossa. Automaattisen ovilukon (A) pitäisi vetäytyä sisään ennen kuin ovi alkaa liikkua.
3. Käytä ovea alas-suuntaan. Kun ovi on kokonaan kiinni, automaattisen ovilukon pitäisi liikkua lukitusasentoon oven kiinnittämiseksi.

**HUOMAUTUS:** Jos automaattinen ovilukko ei toimi, lukko voidaan vapauttaa manuaalisesti liu'uttamalla manuaalista vapautuskahvaa (C) auki-asentoon.

## 14 Kaapelin kireysmonitorin 041A9264 kiinnittäminen (pakollinen lisävaruste)

Kaapelin kireysmonitori ON yhdistettävä ja asennettava asianmukaisesti, ennen kuin autotallinoven avaja liikkuu alas-suuntaan. Kaapelin kireysmonitori havaitsee MAHDOLLISEN löysyyden, jota voi esiintyä kaapeleissa ja vaihtaa oven suuntaa poistaen huoltopuhelut. Kaapelin kireysmonitorin asennus on pakollinen standardin EN12453 mukaisesti.

**HUOMAUTUS:** Kaapelin kireysmonitori toimitetaan vasemmanpuolista asennusta varten. Jos asennus tehdään oikeanpuoleiseksi, irrota lukko-rengas, joka pitää kelaa paikallaan ja kokoa se uudelleen kaapelin kireysmonitorin vastakkaiselle puolelle.

1. Varmista, että ovikaapeli on noin 19 mm kiinnityspinnasta. Oven säätöä tai välikettä voidaan tarvita saavuttamaan asianmukainen syvyys ovikaapelille.
2. Aseta kaapelin kireysmonitori siten, että kela on 5–15 cm rummusta ja että kela ulottuu 3–6 mm kaapelin ohi. Varmista, että kaapelin kireysmonitori sijaitsee puisen tukikappaleen yläpuolella ja että kela on esteetön.
3. HUOMAUTUS: Asennusalueella ei saa olla sellaisia esteitä, jotka estävät kaapelin kireysmonitoria sulkeutumasta kokonaan, kun löysyyttä havaitaan.
4. Merkitse ja poraa 5 mm ohjausreiät ruuveja varten (ohjausreiä ei tarvita ankkureille).
5. Kiinnitä kaapelin kireysmonitori seinään käyttämällä mukana toimitettuja laitteita. Varmista, että kela on kaapelin yläpuolella.
6. Juoksuta kellojohto ovenavaajaan. Käytä eristettyjä niittejä johdon kiinnittämiseen.
7. Kytke kellojohto vihreisiin pikaliittimiin (10 + 11) ovenavaajassa (napaisuudella ei ole väliä).

**HUOMAUTUS:** Kaapelin on oltava kireällä koko oven kulkumatkalta. Varmista, että kaapeli ei ole löysällä oven vastakkaisella puolella normaalin toiminnan aikana. Jos kaapelit ovat löysällä oven kulkumatkalla, säädä niitä tarpeen mukaan.

Kun kaksi kaapelin kireysmonitoria on asennettu, ovi ei liiku alas-suunnassa tai vaihtaa suuntaa, kun toinen monitoreista havaitsee löysyyttä tai on irti.

### KAAPELIN KIREYSMONITORIN TESTAUS

1. Kun ovi on kokonaan kiinni, paina kaapelin kireysmonitorin etupuolelta. Pitäisi kuulua napsahdus. Jos napsahdusta ei kuulu, kela voi osua ovenpieleen eikä kytkin voi havaita kaapelin löysyyttä. Varmista, että kaapelin kireysmonitori asennetaan samalle tasolle seinän kanssa ja että kela on esteetön.

Mukana toimitettava 1k-vastus on vain CTM-asennuksen vianmääritystä varten. EN12453-standardin mukaan kaapelin kireysmittari on asennettava, jotta kaapelin löysyys voidaan kunnolla havaita.

Jos kaapelin kireysmonitori on aktivoitu, nuolet UP (Ylös) ja DOWN (Alas) vilkuttavat vianmäärityskoodia 3-5.

## 15 MyQ kauko-ohjattavan LED-valon asentaminen (suunniteltu vain kuiville alueille)

MyQ kauko-ohjattava LED-valo on suunniteltu kytkettäväksi suoraan 230V-vakiopistorasiaan. Valitse sopiva paikka katosta tai seinästä valon asentamiseksi 1,83 m sisälle pistorasiasta, jotta johto ja valo ovat poissa liikkuvista osista. MyQ kauko-ohjattavan LED-valon asennus tarvitaan MyQ- ja Timer-to-Close (TTC) -toiminnan ottamiseksi käyttöön.

**HUOMAUTUS:** Jos valo asennetaan kipsilevyyn, eikä kattopalkkeja pystytä paikantamaan, käytä mukana toimitettuja kipsilevykiinnittimiä.

Ohjausreikä ei tarvita kipsilevykiinnittimille.

1. Poraa ohjausreiat 15,6 cm päähän toisistaan, jos kiinnitys tehdään palkkeihin. Tai Ruuvaa kipsilevykiinnittimet 15,6 cm päähän toisistaan, jos kiinnitys tehdään kipsilevyyn.
2. Määritä tarvittava virtajohdon pituus lähimpään pistorasiaan. Kelaa mahdollinen ylimääräinen johto johtopidikkeen ympärille valokotelon yläpuolelle. Reiitä johto kanavan läpi niin, että valo asentuu vaakasuoraan.
3. Avaa valon linssi.
4. Kiinnitä valo mukana toimitetuilla ruuveilla (9+10).
5. Sulje valon linssi.
6. Kytke valo pistorasiaan.

**HUOMAUTUS:** LED-valo on erittäin kirkas. ÄLÄ tuijota valoa ollessasi tikapulla.

Autotallinoven avaajasi kauko-ohjattava valo on ohjelmoitu jo tehtaalla toimiakseen avaajasi kanssa. Kauko-ohjattavat lisä- tai vaihtovalot on ohjelmoitava.

## 16 Sähkökytkentä



Vältä henkilövahingot ja laitevauriot käyttämällä ovenavaajaa vain, jos tällainen ohje nimenomaisesti annetaan tässä käyttöoppaassa. Virtapistoke on aina oltava käytettävissä verkkovirrasta irrottamisen tarkoitukseen. Sähköasennukset saa tehdä vain valtuutettu sähköasentaja.

## 17 Valokennojen asentaminen

### TÄRKEÄÄ TIETOA INFRAPUNAVALOKENNOISTA

Asennusohjeet sisältyvät infrapunavalokennojen toimitukseen, ja niitä on noudatettava. Valokennot varmistavat, että ovi on auki, tai pysyy auki, jos ihmisiä, erityisesti nuoria lapsia, on oviaalueella. Kun infrapunavalokennot on asianmukaisesti kytketty ja kohdistettu, anturi havaitsee esteen sen elektronisen säteen reitillä. Lähetävä anturi välittää näkymättömän valonsäteen vastaanottavalle anturille. Jos este katkaisee valonsäteen oven sulkeutuessa, ovi pysähtyy ja vaihtaa suuntaa täysin auki-asentoon, ja avaajan valot vilkkuvat 10 kertaa.

MyQ- tai TTC-ominaisuuden käyttöä varten anturit on asennettava autotalliin niin, että lähetävät ja vastaanottavat anturit ovat toisiinsa päin oven vastakkaisilla puolilla, ei enempää kuin 10 cm lattian yläpuolella. Kumpikin voidaan asentaa joko oven vasemmalle tai oikealle puolelle, kunhan aurinko ei koskaan paista suoraan vastaanottavan anturin linssiin. Näkymättömän valonsäteen reitin on oltava esteetön.

Mikään osa autotallinovesta (ovikiskot, jouset, saranat, kelat tai muu laitteisto) ei saa katkaista sädettä oven sulkeutuessa.

**HUOMAUTUS:** LiftMaster suosittelee asentamaan infrapunavalokennot jokaiseen järjestelmään. MyQ- ja TTC-ominaisuuksien käyttöön infrapunavalokennojen asennus on pakollista.

### INFRAPUNAVALOKENNOJEN JOHDOTUS

1. Juoksuta johto molemmista antureista autotallinoven avaajaan. Kiinnitä johto seinään ja kattoon niiteillä.
2. Pura 11 mm eristettä jokaisesta johtosarjasta. Erotta johdot. Kieputa valkoiset johdot yhteen. Kieputa valkoiset/mustat johdot yhteen.
3. Laita valkoiset johdot valkoiseen liittimeen autotallinoven avaajassa (4). Laita valkoiset/mustat johdot harmaaseen liittimeen autotallinoven avaajassa. Joita voisit syöttää tai poistaa johtoja liittimestä, paina kielekettä ruuvimeisselin kärjellä (5).

### VARMISTA, ETTÄ INFRAPUNAVALOKENNOT ON KOHDISTETTU

Ovi ei sulkeudu, jos antureita ei ole asennettu ja kohdistettu oikein.

Kun valonsäteen tiellä on este tai se on väärinkohdistettu oven sulkeutuessa, ovi vaihtaa suuntaa ja autotallinoven avaajan valot vilkkuvat kymmenen kertaa. Jos ovi on jo auki, se ei sulkeudu. Anturit voidaan kohdistaa löysämällä siipimuttereita, kohdistamalla anturit ja kiristämällä siipimutterit.

1. Tarkista ja varmista, että LED-valot molemmissa antureissa palavat yhtämittaisesti. LED-valot molemmissa antureissa palavat yhtämittaisesti, jos ne ovat kohdistettu ja johdotettu oikein

### INFRAPUNAVALOKENNOJEN TESTAUS

1. Avaa ovi. Laitte este oven kulkureitille.
2. Paina kaukosäätimen painiketta sulkeaksesi oven. Ovi liikkuu enempää kuin 2,5 cm, ja autotallinoven avaajan valot vilkkuvat 10 kertaa.

Autotallinoven avaaja ei sulkeudu kaukosäätimestä, jos LED jommassakummassa infrapunavalokennossa on pois päältä (ilmoittaen sinulle joko anturin väärinkohdistuksesta tai esteestä). Jos autotallinoven avaaja sulkee oven, kun infrapunavalokennojen edessä on este (ja anturit eivät ole enempää kuin 10 cm lattiaista), soita koulutetulle ovijärjestelmien asentajalle.



## 18 Virran kytkeminen

Jotta välttäisit asennusongelmat, älä käytä autotallinoven avaajaa tässä vaiheessa.

Sähköiskuvaaran vähentämiseksi autotallinoven avaajassa on maadoituspistoke. Tämä pistoke sopii vain maadoituspistorasioihin. Jos pistoke ei sovi pistorasiaasi, ota yhteyttä pätevään sähköasentajaan, joka asentaa oikeantyyppisen pistorasian.

Virran kytkemiseen on vain yksi vaihtoehto:

**TYYPILLINEN JOHDOTUS**

Kytke autotallinoven avaaja maadoitettuun pistorasiaan.

## 19 Akkuvaratoiminnon asentaminen (Lisävaruste)



Vähennä henkilöihin kohdistuvaa TULIPALO- tai HENKILÖVAHINKO-riskiä. Katkaise KAIKKI sähkö- ja akkuvirta ENNEN MINKÄÄN huolto- tai kunnossapitotyön suorittamista. Käytä VAIN LiftMaster-osaa 485EU vaihtoakuksi. ÄLÄ hävitä akkua polttamalla. Akku voi räjähtää. Tarkasta hävitysohjeet paikallisista määräyksistä.

Akun varatoimintotilassa MyQ-älypuhelinohjaus ja langattomat MyQ-laitteet poistetaan käytöstä. Akun varatoimintotilassa automaattinen autotallinoven lukko avautuu, kun autotallinovi on auki ja pysyy poissa käytöstä, kunnes virtaa taas syötetään.

1. Irrota autotallinoven avaaja.
2. Käytä ruuvimeisseliä akun kannen irrottamiseen autotallinoven avaajassa.
3. Laita akku osittain takaisin akkukoteloon liitinten ollessa ulospäin.
4. Yhdistä punainen (+) ja musta (-) johto autotallinoven avaajasta vastaaviin liittimiin akussa.
5. Laita akun kansi takaisin.
6. Kytke autotallinoven avaaja kiinni.

### AKUN TILALED (B)

#### VIHREÄ LED:

Kaikki järjestelmät ovat normaaleja.

- Yhtämittaisesti palava LED-valo ilmaisee, että akku on täyteen ladattu.
- Viikkuva vihreä LED-valo ilmaisee, että akkua ladataan

#### ORANSSI LED:

Autotallinoven avaajassa on virtakatkos, ja on akkuvaratilassa.

- Yhtämittaisesti palava oranssi LED ja noin 2 sekunnin välein kuuluva piippausäänimerkki ilmaisevat, että autotallinoven avaaja toimii akkuvirralta.
- Viikkuva oranssi LED-valo ja noin 30 sekunnin välein kuuluva piippausäänimerkki ilmaisevat, että akun varaus on vähissä.

#### PUNAINEN LED:

Autotallinoven avaajan 12 V akku on vaihdettava.

- Yhtämittaisesti palava punainen LED-valo ja noin 30 sekunnin välein kuuluva piippausäänimerkki ilmaisevat, että 12V akku ei enää pidä varausta ja on vaihdettava. Vaihda akku ylläpitääksesi akun varatoimintoa.

**HUOMAUTUS:** Akun ei tarvitse olla täyteen ladattu autotallinoven avaajan toimintaa varten.

## 20 Kulun ohjelmointi



Autotallinoven kulkurajojen virheellinen säätö häiritsee suunnanvaihdoksen turvajärjestelmän asianmukaista toimintaa. AINA kun säätöjä tehdään, suunnanvaihdoksen turvajärjestelmä ON testattava. Oven ON vaihdettava suuntaa, kun se osuu 40 mm esteeseen lattialla. Estä ajoneuvojen vauriot varmistamalla, että välit ovat riittävän suuret, kun ovi on täysin auki.

Kulkurajat säätelevät pisteitä, joissa ovi lakkaa liikkumasta ylös tai alas.

Ohjelmoinnin aikana painikkeita UP (Ylös) ja DOWN (Alas) voidaan käyttää liikututtamaan ovea tarpeen mukaan.

1. Paina ja pidä säätöpainiketta (A) painettuna, kunnes UP (Ylös) -painike (U) alkaa vilkkua ja/tai piippausääni kuuluu.
2. Paina ja pidä UP (Ylös) -painiketta (U) painettuna, kunnes ovi on halutussa UP (Ylös) -asennossa.
3. Kun ovi on halutussa UP (Ylös) -asennossa, paina ja vapauta säätöpainike (A). Autotallinoven avaajan valot vilkkuvat kahdesti ja DOWN (Alas) -painike (D) alkaa vilkkua.
4. Paina ja pidä DOWN (Alas) -painiketta (D) painettuna, kunnes ovi on halutussa DOWN (Alas) -asennossa.
5. Kun ovi on halutussa DOWN (Alas) -asennossa, paina ja vapauta säätöpainike (A). Autotallinoven avaajan valot vilkkuvat kahdesti ja UP (Ylös) -painike (U) alkaa vilkkua.
6. Paina ja vapauta UP (Ylös) -painike (U). Kun ovi kulkee ohjelmoituun UP (Ylös) -asentoon, DOWN (Alas) -painike (D) alkaa vilkkua.
7. Paina ja vapauta ALAS (Alas) -painike (D). Ovi siirtyy ohjelmoituun DOWN (Alas) -asentoon. Ohjelmointi on valmis.

Jos autotallinoven avaajan valot vilkkuvat 5 kertaa Kulun ohjelmoinnin vaiheiden aikana, ohjelmointiaika on katkaistu. Jos kaapelin kireysmonitoria ei ole asennettu tai jos se havaitsee liikaa löysyyttä kaapelissa, autotallinoven avaajan valot vilkkuvat 5 kertaa. Varmista, että kaapelin kireysmonitoria on asianmukaisesti asennettu ja noudata sitten Kulun ohjelmoinnin vaiheita. Jos autotallinoven avaajan valot vilkkuvat 10 kertaa Kulun ohjelmoinnin vaiheiden aikana, infrapunavalokennot ovat kohdistettu väärin tai niiden tiellä on este. Kun anturit on kohdistettu ja esteettömät, avaa ja sulje ovea täysin auki- ja kiinni-asentoihin käyttämällä kaukosäädintä tai UP (Ylös) ja DOWN (Alas) -painikkeita. Ohjelmointi on valmis. Jos et pysty avaamaan ja sulkemaan ovea, toista Kulun ohjelmoinnin vaiheet.

## 21 Testaa suunnanvaihdoksen turvajärjestelmä



Mikäli asianmukaista suunnanvaihdoksen turvajärjestelmää ei asenneta, henkilöt (erityisesti pienet lapset) voivat LOUKKAANTUA VAKAVASTI tai KUOLLA sulkeutuvan autotallinoven alle. Suunnanvaihdoksen turvajärjestelmä ON testattava joka kuukausi. AINA kun säätöjä tehdään, suunnanvaihdoksen turvajärjestelmä ON testattava. Oven ON vaihdettava suuntaa, kun se koskettaa 40 mm korkeaan esineeseen maanpinnalla.

### TESTAUS

1. Kun ovi on täysin auki, aseta 40 mm levy lattialle, keskelle alle autotallinovea.
2. Paina kaukosäätimen painiketta sulkeaksesi oven. Oven ON vaihdettava suuntaa, kun se koskettaa levyä.

### SÄÄTÖ

Jos ovi pysähtyy, mutta ei vaihda suuntaa:

1. Tarkista mukana toimitetut asennusohjeet ja varmista, että kaikki vaiheet on tehty.
2. Toista Kulun ohjelmointi (katso Säätövaihe 1 "Kohta 20").
3. Toista Suunnanvaihdoksen turvatesti.

Jos testi ei edelleenkään onnistu, soita koulutetulle ovijärjestelmien asentajalle.

### TÄRKEÄ TURVATARKISTUS:

Testaa suunnanvaihdoksen turvajärjestelmä seuraavien jälkeen:

- Joka kerta, kun rajoja säädetään.
- Oven korjaus- tai säätötöiden jälkeen (jouset ja laitteisto mukaan lukien).
- Lattian korjauksen tai tasoituksen jälkeen.
- Autotallinoven avaajan korjauksen tai säädön jälkeen.

## 22 Oven avaaminen manuaalisesti



Jos mahdollista, käytä hätävapautuskahvaa oven irrottamiseen VAIN, kun autotallinovi on SULJETTU. Heikot tai kuluneet jouset tai epätasapainossa oleva ovi voivat aiheuttaa oven nopean ja/tai yllättävän putoamisen. ÄLÄ KOSKAAN käytä hätävapautuskahvaa, ellei autotallinovi ole tyhjänä ihmisistä ja esteistä.

Avaa mahdolliset ovilukot ennen jatkamista. Oven pitäisi olla täysin kiinni, jos mahdollista. Vedä hätävapautuskahvaa, kunnes napsahdusääni kuuluu ovenavaajasta ja nosta ovi käsin. Yhdistä ovi takaisin ovenavaajaan vetämällä hätävapautuskahvasta suoraan alas toisen kerran, kunnes napsahdusääni kuuluu ovenavaajasta. Ovi yhdistyy takaisin seuraavan UP (Ylös) tai DOWN (Alas) -toiminnan aikana.

### HÄTÄVAPAUTUKSEN TESTAUS

1. Varmista, että ovi on kiinni.
2. Vedä hätävapautuskahvasta. Ovi pitäisi nyt pystyä avaamaan käsin.
3. Palauta ovi kiinni-asentoon.
4. Vedä toisen kerran hätävapautuskahvasta.
5. Yhdistä ovi takaisin ovenavaajaan.

## 23 Autotallinoven avaajan käyttö

### OMINAISUUDET

Autotallinoven avaaja on varustettu ominaisuuksilla, jotka tarjoavat sinulle paremman hallinnan autotallinoven toiminnasta

### SULKEUTUMISHÄLYTYS

Sulkeutumishälytys-ominaisuus antaa visuaalisen hälytyksen, kun valvomatton ovi on sulkeutumassa.

### SULKEUTUMISAJASTIN (TIMER-TO-CLOSE, TTC)

TTC-ominaisuus sulkee automaattisesti oven määritetyn ajan jälkeen. Tätä aikaa voidaan säätää käyttämällä TTC-valmiudella varustettua ovisäädintä (valokennomallit 771EV / 772E / 771EVK / G770E vaaditaan). Ennen oven sulkeutumista ja sulkeutumisen aikana autotallinoven avaajan valot vilkkuvat.

TTC:n aktivointi

1. Paina ja vapauta keltainen Opetuspainike (L) 4 kertaa.
2. Keltainen opetus-LED syttyy (ON)
3. Kierrätä OFF (Pois) /1/5/10 minuutin välien kautta käyttämällä UP (Ylös) (U) ja DOWN (Alas) (D) -nuolia. Keltainen opetus-LED vilkkuu valintojen mukaan. Jos esimerkiksi, valitset 5 minuuttia, keltainen opetus-LED vilkkuu 5 kertaa vahvistuspalautteena.
4. Paina suorakulmaista säätöpainiketta (A) tallentaaksesi asetuksen ja poistuaksesi TTC-ohjelmointitilasta. Kun aktivointi on valmis, MyQ Kauko-ohjattava LED-valo vilkahtaa YHDEN kerran vahvistuksena. TTC-ominaisuutta ohjelmoidessa sinun on painettava seuraavaa painiketta 30 sekunnin sisällä, muutoin TTC:n aktivointi poistuu ohjelmointitilasta. Jos ohjelmointiaika umpeutuu, TTC säilyttää aiemmat asetukset ja MyQ kauko-ohjattava LED-valo vilkkuu VIISI kertaa. Poistu loppuun suorittamattomasta TTC-ohjelmointitilasta painamalla ja vapauttamalla opetuspainike (L) vielä kerran.

To Exit uncompleted TTC programming mode, please press and release the learn button (L) one more time.

TTC-AJASTUKSEN MUUTOS:

1. Paina opetuspainiketta (L) 4 kertaa.
2. Kierrätä OFF (Pois) /1/5/10 minuutin välien kautta käyttämällä UP (Ylös) (U) ja DOWN (Alas) (D) -nuolia. Keltainen opetus-LED vilkkuu valintojen mukaan.
3. Paina suorakulmaista säätöpainiketta (A) tallentaaksesi asetuksen ja poistuaksesi TTC-ohjelmointitilasta. Kun aktivointi on valmis, MyQ kauko-ohjattava LED-valo vilkahtaa YHDEN kerran vahvistuksena.

TTC:N KÄYTÖSTÄPOISTO:

1. Paina keltaista opetuspainiketta (L) 4 kertaa.
2. Paina säätöpainiketta kerran tallentaaksesi asetuksen.
3. Kun käytöstäpoisto on tehty, MyQ kauko-ohjattava LED-valo vilkahtaa KERRAN vahvistuksena. Jos TTC on aktiivinen, ajastin laskee alaspäin ja infrapunasäteet katkaistaan, TTC-ajastin käynnistetään uudelleen.

## MYQ

MyQ:n avulla voit ohjata autotallinoven avajaa mobiililaitteeltasi tai tietokoneeltasi milloin vain. MyQ-teknologia käyttää radiosignaalia kaksiteisen viestinnän tarjoamiseen autotallinoven avajaan ja MyQ-valmiuksisten lisävarusteiden välillä. Autotallinoven avajalla on oma sisäinen yhdyskäytävä, jonka avulla autotallinoven avaja viestii suoraan Wi-Fi®-kotiverkon kanssa ja käyttää sinun MyQ-tiliäsi.

## INFRAPUNAVALOKENNOT

Kun infrapunavalokennot on asianmukaisesti kytketty ja kohdistettu, valokennot havaitsevat esteen infrapunasäteen reitillä. Jos este katkaisee infrapunasäteen oven sulkeutuessa, ovi pysähtyy ja vaihtaa suuntaa täysin auki-asentoon, avajaan valot vilkkuvat 10 kertaa. Jos ovi on täysin auki ja infrapunavalokennot on asennettu, ja ne ovat väärinkohdistettu, ovi ei mene kiinni kaukosäätimestä. Voit kuitenkin sulkea oven pitämällä painiketta painettuna ovisäätimestä tai avaimettomasta sisäänkäynnistä, kunnes ovi on täysin kiinni. Infrapunavalokennot eivät vaikuta avausyhteyksiin.

## ENERGIANSÄÄSTÖ

Energiätehokkuutta varten autotallinoven avaja siirtyy lepotilaan, kun ovi täysin kiinni. Lepotila sammuttaa autotallinoven avajaan, kunnes se aktivoidaan. Lepotila on sarjoitettu autotallinoven avajaan valon kanssa. Kun valo sammuu, anturin LED-valot sammuvat ja aina, kun autotallinoven avajaan valot syttyvät, anturin LED-valot syttyvät. Autotallinoven avaja ei siirry lepotilaan, ennen kuin autotallinoven avaja on suorittanut 5 sykliä loppuun virrankytkeksen yhteydessä.

## VALOT

Autotallinoven avajaan valo syttyy, kun avaja kytketään ensimmäistä kertaa sähköverkkoon, virta kytketään takaisin keskeytyksen jälkeen tai kun autotallinoven avaja aktivoidaan. Valo sammuu automaattisesti 4 1/2 minuutin jälkeen.

## VALO-OMINAISUUS

Autotallinoven avaja on varustettu lisäominaisuudella. Valot syttyvät, kun joku tulee sisään autotallinoven kautta ja rikkoo infrapunasäteen. Infrapunavalokennot 771EV / 772E / 771EVK / G770E on asennettava tämän ominaisuuden käyttöönottamiseksi.

## AKKUVARATOIMINTO (LISÄVARUSTE)

Akulla toimiva varajärjestelmä mahdollistaa pääsyn sisään ja ulos autotallista, vaikka sähkövirtaa ei olisi. Kun autotallinoven avaja toimii akkuvirralla, autotallinoven avaja toimii hitaammin, valo ei toimi, akun tila-LED palaa yhtämittaisesti oranssina, ja äänimerkki kuuluu noin 2 sekunnin välein.

## AUTOTALLINOVEN AVAAJAN KÄYTTÖ

Autotallinoven avaja voidaan aktiivida seinälle asennettavasta ovisäätimestä, kaukosäätimestä, langattomasta avaimettomasta sisäänkäynnistä tai MyQ-lisälaitteen kautta. Kun käytät ovenavajaa radiosäätimellä tai seinäkytkimestä:

- sulkee oven, kun se on täysin auki
- avaa oven, kun se on täysin kiinni
- pysäyttää oven, jos se avautuu tai sulkeutuu
- ovi liikkuu vastakkaiseen suuntaan edellisestä loppuuntehdyistä liikkeestä, jos se on osittain auki.

Jos ovi havaitsee esteen tai keskeytetään avauksen aikana, ovi pysähtyy. Jos autotallinoven avaja havaitsee esteen sulkeutumisen aikana, ovi vaihtaa suuntaa. Jos este katkaisee anturin säteen, autotallinoven avajaan valo vilkkuu 10 kertaa. Voit kuitenkin sulkea oven pitämällä painiketta painettuna ovisäätimestä tai avaimettomasta sisäänkäynnistä, kunnes ovi on täysin kiinni. Infrapunavalokennot eivät vaikuta avausyhteyksiin.

## SYKLILASKURIN AKTIVOINTI- JA LUKUMENETTELY:

1. Katkaise virta RJO:sta siirtyäksesi tähän tilaan.
  2. Paina säätö- (A) ja opetuspainikkeita (L) ja pidä niitä yhdessä painettuina virtaa palautettaessa.
  3. Käyttäjän "UP" (Ylös) -nuolipainike (U) LED vilkahtaa YHDEN kerran jokaista tuhatta TÄYTTÄ loppuun tehtyä kierrosta kohti niin kauan, kuin säätö- (A) ja opetuspainikkeita (L) painetaan ja pidetään painettuina.
- Jos esimerkiksi RJO on tehnyt 8756 kierrosta, UP (Ylös) LED vilkkuu 8 kertaa.

Toista luenta irrottamalla RJO virrasta ja käynnistämällä uudestaan.

**Valolähetin (78EV-llä):** Mahdollistaa lähettimen opetuksen MyQ-etätoimintoon monitoimisen seinäohjaimen kautta.

Ohjelmoi lähetin MyQ kauko-ohjattavaan LED-valoon:

1. Paina ja pidä LIGHT (Valo) ja LOCK (Lukko) -painikkeita yhdessä painettuina.
2. Samalla kun yllä mainittuja molempia painikkeita pidetään painettuina, paina ja pidä toista painiketta lähettimessä painettuna, kunnes RJO-toimintavalon vilkahtaa kerran.
3. Kun avajaan toimintavalon on vilkahtanut kerran, vapautaa kaikki painikkeet.

**Lomatila** (vaatii 78EV-seinäsäätimen). Kannettavat kaukosäätimet eivät toimi, jos tämä ominaisuus on aktivoitu. Katso 78EV:n ohjeet.

**Avaimeton sisäänkäynti** (vaatii 747EV langattoman näppäimistön): Syötä valitsemasi 4-numeroinen koodi oven käyttämiseksi.

**Tilapäinen pääsy** (vaatii 747EV langattoman näppäimistön): Tilapäinen koodi voidaan ohjelmoida sallimaan rajoitettu pääsy autotalliin (avausajan tai -lukumäärän perusteella).

**Yhden painikkeen sulkemisominaisuus** (vaatii 747EV langattoman näppäimistön): Ilman pääsykoodia ovi voidaan sulkea mistä tahansa paikasta (ei avata).

## 24 Yhteydenmuodostus älypuhelimella

Wi-Fi® autotallinoven avaaja on yhteensopiva enintään 16 MyQ-valmiuksisen lisävarusteen kanssa. Enintään 10 laitteesta voidaan tehdä pariiliitos Wi-Fi autotallinoven avaajan sisäiseen yhdyskäytävään. Näitä laitteita voidaan hallita MyQ-sovelluksella. Näihin laitteisiin sisältyvät mikä tahansa yhdistelmä MyQ-autotallinoven avaajista, Wi-Fi-autotallinoven avaajista, MyQ-valoista, MyQ-porttitoimilaitteista. LiftMaster sisäinen yhdyskäytävä (828EV) voidaan lisätä, jos sinun on hallittava yli 10 laitetta MyQ-sovelluksella. Enintään 6 laitetta voidaan yhdistää pariiliitoksella itse autotallinoven avaajaan (hallitaan autotallinoven avaajalla). Näihin laitteisiin sisältyy mikä tahansa MyQ-valon tai autotallinoven ja porttimonitorin yhdistelmä

### Tarvitset:

- Wi-Fi-valmiuksisen älypuhelimien, tabletin tai kannettavan tietokoneen
- Laajakaista-internet-yhteyden
- Wi-Fi-signaalin autotallissa (2,4 Ghz, 802,11b/g/n vaaditaan)
- Salasana kotiverkkoon (reitittimen päätilli, ei vierasverkko)
- MyQ-sarjanumero sijaitsee autotallinoven avaajassa
- Infrapunavalokennot (lisävaruste)
- MyQ kauko-ohjattava LED-valo (sisältyy toimitukseen)

### OVISÄÄDÖN SYNKRONOINTI

Synkronoi ovisäätö 78EV autotallinoven avaajaan painamalla palkkia, kunnes autotallinoven avaaja aktivoituu (voi vaatia enintään 3 painallusta). Autotallinoven avaajan on suoritettava koko sykli, ennen kuin se aktivoi Wi-Fi-ohjelmoinnin.

### AUTOTALLINOVEN AVAAJAN YHDISTÄMINEN WI-FI-KOTIVERKKOON

1. Paina ja vapauta keltainen Opetuspainike (L) autotallinoven avaajasta 3 kertaa. Autotallinoven avaaja antaa yhden piippausäänimerkin. Sinulla on 20 minuuttia aikaa suorittaa yhdistämisprosessi loppuun.
2. Siirry mobiililaitteeltasi Asetuksiin > Wi-Fi ja valitse verkko, jossa on etuliite "MyQ".
3. Käynnistä internetselain älypuhelimellasi tai tabletilläsi. Kirjoita setup.myqdevice.com selaimen osoitepalkkiin. Noudata näytön kehoteita kytkäksesi autotallinoven avaajan Wi-Fi-verkkoon. MyQ-sarjanumero näkyy näytöllä. Kirjoita sarjanumero alla olevaan tilaan

4. Lataa MyQ-sovellus App Store®- tai Google Play™ -kaupoista. Rekisteröi MyQ-tili ja lisää MyQ-sarjanumero tilillesi.

Lisää toinen Wi-Fi-autotallinoven avaaja, toista vaiheet 1–3. Lisää toinen MyQ-sarjanumero tilillesi MyQ-sovelluksessa.

HUOMAUTUKSET: MyQ älypuhelinohjaus EI toimi, jos autotallinoven avaaja toimii akkuvirralla. Poista Wi-Fi-asetukset katsomalla ohjeet sivulta 15.

LED (A) autotallinoven avaajassa osoittaa Wi-Fi-tilan. Katso alla olevaa taulukkoa

LED	DEFINITION
BLUE	Pois - Wi-Fi ei ole kytketty päälle. Viikkuu - Autotallinoven avaaja on Wi-Fi-opetustilassa. Palaa yhtämittaisesti - Mobiililaitte yhdistetty autotallinoven avaajaan.
SININEN JA VIHREÄ	Viikkuu - Yrittää yhdistää reitittimeen.
VIHREÄ	Viikkuu - Yrittää yhdistää Internet-palvelimeen. Palaa yhtämittaisesti - Wi-Fi on asetettu, ja autotallinoven avaaja on yhdistetty Internetiin.

## **25 Ohjelmoi avaaaja ja kaukosäädin / langaton painike / langaton näppäimistö (lisävaruste)**

Aktivoi avaaaja vain, kun ovi on täysin näkyvässä, esteetön ja asianmukaisesti säädetty. Autotallinovesta ei saa mennä sisään tai poistua oven liikkuaessa. Älä anna lasten käyttää painikkeita tai kaukosäätimiä. Älä anna lasten leikkiä lähellä ovea. Autotallinoven avaaajan vastaanotin ja yksi kaukosäätimen painikkeista on ohjelmoitu valmiiksi. Jos ostat muita kaukosäätimiä, autotallinoven avaaaja on ohjelmoitava hyväksymään uusi etäkoodi.

### **OHJELMOI VASTAANOTTAJA VASTAAMAAN MUITA KAUKOSÄÄTIMIÄ: PYÖREÄN Keltaisen Painikkeen Käyttö**

1. Paina ja vapauta keltainen pyöreä painike (L) avaaajasta. Opetuksen merkkivalo palaa yhtämittaisesti 30 sekunnin ajan.
2. Paina ja pidä painettuna 30 sekunnin sisällä käsikäyttöistä kaukosäädintä, jolla haluat käyttää autotallinovea.
3. Vapauta painike, kun avaaajan valo vilkkahtaa kerran. Se on oppinut koodin. Nyt avaaaja toimii, kun kaukosäätimen painiketta painetaan. Jos vapautat kaukosäätimen painikkeen, ennen kuin avaaajan valo vilkkuu, avaaaja ei ole oppinut koodia.

### **AVAIMETON SISÄÄNKÄYNTI**

1. Paina ja vapauta keltainen pyöreä painike (L) avaaajasta. Opetuksen merkkivalo palaa yhtämittaisesti 30 sekunnin ajan.
2. Syötä valitsemasi 4-numeroinen henkilökohtainen tunnistusnumero (PIN) avaimettoman sisäänkäynnin näppäimistöön.
3. Paina sitten ENTER-painiketta.
4. Autotallinoven avaaajan valot vilkkuvat (tai kuuluu kaksi napsahdusta), kun koodi on ohjelmoitu. Toista yllä olevat vaiheet muiden kaukosäätimien tai avaimettomien sisäänkäyntilaitteiden ohjelmointia varten. Jos ohjelmointi ei onnistu, ohjelmoi kaukosäädin käyttämällä opetuspainiketta.

### **KAIKKI KAUKOSÄÄDINKOODIEN POISTAMINEN**

Poista kaikki tarpeettomat kaukosäätimet käytöstä poistamalla ensin kaikki koodit: Paina ja pidä painettuna keltaista pyöreää painiketta avaaajasta, kunnes opetusmerkkivalo sammuu (noin 10 sekuntia). Kaikki aiemmat koodit on nyt poistettu. Ohjelmoi kaikki ne kaukosäätimet tai avaimettomat sisäänkäynnit, joita haluat käyttää.

## **26 MyQ kauko-ohjattavan LED-valon ohjelmointi**

Autotallinoven avaaajasi kauko-ohjattava valo on ohjelmoitu jo tehtaalla toimiakseen avaaajasi kanssa. Kauko-ohjattavat lisä- tai vaihtovalot on ohjelmoitava.

### **OHJELMOI OVENAVAAJA MYQ KAUKO-OHJATTAVAAN LED-VALOON:**

1. Paina OPETUS-painiketta (L) valosta, kunnes vihreä LED SYTTY.
2. Paina OPETUS-painiketta (L) ovenavaajasta.
3. Koodi on ohjelmoitu, kun kauko-ohjattavat valot vilkkahtavat kerran.

### **OHJELMOI KAUKOSÄÄDIN MYQ KAUKO-OHJATTAVAAN LED-VALOON**

1. Paina OPETUS-painiketta (L) valosta, kunnes vihreä LED SYTTY.
2. Paina sen kaukosäätimen painiketta, jolla haluat käyttää valoa.
3. Koodi on ohjelmoitu, kun kauko-ohjattavat valot vilkkahtavat kerran.

Katso ohjeet valon ohjelmoimiseksi muihin lisävarusteisiin lisävarusteiden käyttöoppaasta.

### **LISÄÄ MYQ KAUKO-OHJATTAVA LED-VALO MYQ-TILIIN**

1. Paina OPETUS-painiketta (L) valosta, kunnes vihreä LED SYTTY.
2. Kirjautu sisään MyQ-sovellukseen ja lisää MyQ kauko-ohjattava LED-valo.

### **OHJELMOINTIEN POISTAMINEN MYQ KAUKO-OHJATTAVASTA LED-VALOSTA**

1. Paina ja pidä OPETUS-painiketta (L) painettuna, kunnes LED sammuu (6–10 sekuntia). Ohjelmointi on nyt poistettu.

## 27 Muistin tyhjentäminen

### POISTA KAIKKI KAUKOSÄÄTIMET JA AVAIMETTOMAT SISÄÄNKÄYNNIT

1. Paina ja pidä painettuna OPETUS-painiketta (L) autotallinoven avaaajasta, kunnes opetus-LED sammuu (noin 6 sekuntia). Kaikki kaukosäätimet ja avaimettoman sisäänkäynnin koodit on nyt poistettu. Ohjelmoi ne lisälaitteet uudestaan, joita haluat käyttää.

### POISTA KAIKKI LAITTEET (MUKAAN LUKIEN MYQ-VALMIUKSISET LISÄLAITTEET)

2. Paina ja pidä painettuna OPETUS-painiketta (L) autotallinoven avaaajasta, kunnes opetus-LED sammuu (noin 6 sekuntia).
3. Paina välittömästi ja pidä painettuna OPETUS-painiketta uudestaan, kunnes opetus-LED sammuu. Kaikki koodit on nyt poistettu. Ohjelmoi ne lisälaitteet uudestaan, joita haluat käyttää.

### POISTA WI-FI-VERKKO AUTOTALLINOVEN AVAAJASTA

1. Paina ja pidä painettuna mustaa säätöpainiketta (A) autotallinoven avaaajasta, kunnes 3 piippausäänimerkkiä kuuluu (noin 6 sekuntia).

### POISTA MYQ-TILI

Siirry sivustolle mylifftmaster.eu MyQ-tilin poistamiseksi.

## 28 Autotallinoven avaaajan huolto ja hoito

### HUOLTOAIKATAULU

#### JOKA KUUKAUSI

- Käytä ovea manuaalisesti. Jos on epätasapainossa tai vinossa, soita koulutetulle ovijärjestelmien asentajalle.
- Varmista, että ovi avautuu ja sulkeutuu kokonaan. Säädä rajoja tarvittaessa (katso kohta 20 "Kulun ohjelmointi").
- Toista suunnanvaihdon turvatesti. Tee tarvittavat säädöt (katso kohta 21 "Testaa suunnanvaihdon turvajärjestelmä").

#### JOKA VUOSI

- Öljyä oven kelat, laakerit ja saranat. Autotallinoven avaaaja ei tarvitse lisävoitelua. Älä rasvaa oven kiskoja.

### MYQ KAUKO-OHJATTAVA LED-VALO

- Irrota valo ennen puhdistamista.
- Käytä kevyesti kostutettua liinaa puhdistukseen.
- ÄLÄ käytä nestemäisiä puhdistusaineita valon linssiin.

## 29 Kaukosäätimen paristojen vaihto

### Kaukosäätimen paristo:

Kaukosäätimen paristoilla on äärimmäisen pitkä käyttöikä. Jos lähetyksen toiminta-alue vähenee, paristot on vaihdettava. Takuu ei kata paristoja.

### Noudata seuraavia ohjeita paristolle:

Paristoja ei saa käsitellä kotitalousjätteinä. Laki määrää kaikkia kuluttajia hävittämään paristot asianmukaisesti nimettyihin keräyspisteisiin. Älä koskaan lataa sellaisia paristoja uudestaan, joita ei ole siihen tarkoitettu.

### Räjähdystvaara!

Pida paristot pois lasten ulottuvilta, älä oikosuluta niitä tai avaa niitä. Hakeudu välittömästi lääkärin luokse, jos paristo niellään. Puhdista tarvittaessa pariston liittimet ja laitteet ennen lataamista. Poista tyhjentyneet paristot heti laitteesta!

### Lisääntynyt vuotoriski!

Älä koskaan altista paristoja liialliselle kuumuudelle, kuten auringonvalo, tuli tai vastaavat!

Niistä seuraa lisääntynyt vuotoriski!

Vältä kosketusta ihoon, silmiin ja limakalvoihin. Huuhtelee paristohapon likaamat osat runsaalla kylmällä vedellä ja hakeudu välittömästi lääkärin hoitoon. Käytä vain samantyyppisiä paristoja. Poista paristot, jos laitetta ei käytetä pitkään aikaan.

### Pariston vaihtaminen:

Vaihda paristo kääntämällä kaukosäädin ympäri ja avaamalla kotelo ruuveissellillä. Nosta kansi ja nosta sen alla oleva ohjauslevy. Siirrä paristo toiselle puolelle ja ota pois. Tarkista pariston napaisuus! Kokoa takaisin käänteisessä järjestyksessä.

### HUOMIO!

Räjähdystvaara, jos paristo vaihdetaan väärin. Vaihda vain samanlaisiin tai vastaaviin paristoihin (CR2032) 3V.

## 30 Hävitys

Pakkaus on hävitettävä paikallisiin keräysastioihin. Eurooppalaisen direktiivin 2002/96/EY elektroniikkaromusta mukaisesti tämä laite on asianmukaisesti hävitettävä käytön jälkeen käytettyjen materiaalien kierrätyksen varmistamiseksi.



Vanhoja akkuja ja paristoja ei saa hävittää kotitalousjätteen mukana, koska ne sisältävät saastuttavia aineita ja ne on hävitettävä asianmukaisesti kunnallisiin keräyspisteisiin tai jälleenmyyjän tarjoamiin astioihin. Maakohtaisia määräyksiä on noudatettava. Jätehuoltoon erikoistuneen julkisyhteisön on hävitettävä osat asianmukaisesti. Asiaankuuluvia paikallisia ja maakohtaisia määräyksiä on noudatettava. Kaikkia käytöstäpoistettuja käyttölaiteosia ei voi hävittää kotitalousjätteenä.

Pätevä viranomainen (kaupunki, kunta) tai hävitysyritys antaa sinulle tietoja hävitysmahdollisuuksista.

## 31 Vianmäärityskaavio

Autotallinoven avaaja pystyy itse määrittämään vikoja. UP (Ylös) ja DOWN (Alas) -nuolet autotallinoven avaajassa vilkuttavat vianmäärityskoodeja.

VIANMÄÄRITYSKOODI	OIRE	RATKAISU
Ylös-nuoli Vilkkuu	ALAS-NUOLI VILKKUU	
1	1	Autotallinoven avaaja ei sulkeudu, ja valo vilkkuu. Jos infrapunavalokennot on asennettu, niin niitä ei ole kytketty tai johdot voivat olla irti. Tarkista anturin johdot irronneiden tai katkenneiden johtojen varalta.
1	2	Autotallinoven avaaja ei sulkeudu, ja valo vilkkuu. Oikosulutettu tai käännetty johto infrapunavalokenoille. Tarkista valokennojen johto kiinnitys- ja yhdistyspisteistä ja vaihda tai korjaa johdot tarvittaessa.
1	3	Ovisäädin ei toimi. Ovisäätimen johdot ovat oikosulussa tai ovisäädin on viallinen. Tarkista ovisäätimen johdot kiinnitys- ja yhdistyspisteistä ja vaihda tai korjaa johdot tarvittaessa.
1	4	Autotallinoven avaaja ei sulkeudu, ja valo vilkkuu. Jos infrapunavalokennot on asennettu, niin ne ovat väärin kohdistettu tai hetkellisesti estettyjä. Kohdista uudestaan molemmat anturit ja varmista, että LED-valot palavat yhtämittaisesti eivätkä välky. Varmista, että mikään ei roiku tai mitään ei ole kiinnitetty oveen siten, että se voisi keskeyttää antureitten reitin sulkeutumisen aikana.
1	5	Ovi liikkuu 15-20 cm pysähtyy tai vaihtaa suuntaa. Avaa ja sulje ovi käsin. Tarkista taipumisen tai esteiden, kuten rikkonaisten jousien tai ovilukon varalta, korjaa tarvittaessa. Tarkista johtojen liitännät kulkumoduulissa ja logiikkaleyvissä. Vaihda kulkumoduuli tarvittaessa.
1	5	Ei liikettä, vain yksittäinen napsahdus. Avaa ja sulje ovi käsin. Tarkista taipumisen tai esteiden, kuten rikkonaisten jousien tai ovilukon varalta, korjaa tarvittaessa. Vaihda logiikkaleyvyt tarvittaessa.
1	5	Avaaja hyrisee 1-2 sekuntia, ei liikettä. Avaa ja sulje ovi käsin. Tarkista taipumisen tai esteiden, kuten rikkonaisten jousien tai ovilukon varalta, korjaa tarvittaessa. Vaihda moottori tarvittaessa.
1	6	Ovi liikuu sen jälkeen, kun se on täysin pysähtynyt. Ohjelmoi kulku liukumisasentoon tai pyydä koulutettua asentajaa tasapainottamaan ovi.
2	1-5	Ei liikettä tai ääntä. Vaihda logiikkaleyvyt.
3	1	Autotallinoven avaaja liikkuu vähän ja pysähtyy sitten. Aktivoi autotallinoven avaaja uudestaan. Jos ongelma ei poistu, vaihda logiikkaleyvyt.
3	3	Akun tila-LED vilkkuu jatkuvasti vihreänä. Akkuvaratoiminnon latauksen piirivirhe, vaihda logiikkaleyvyt.
3	5	Autotallinoven avaaja ei sulkeudu tai ovi vaihtaa suuntaa kulun aikana. Jos kaksi kaapelin kireysmonitoria on aiemmin asennettu, ja toinen on irrotettu, irrota ja kytkie avaaja kolme kertaa opettaaksesi monitorin uudestaan avaajaan. <ul style="list-style-type: none"><li>• Tarkista oven tiellä olevien esteiden varalta ja poista ne.</li><li>• Tarkista, että kaapelin kireysmonitori on asianmukaisesti kytketty avaajaan.</li><li>• Vaihda kaapelin kireysmonitori.</li></ul>



DIAGNOSTIC CODE		SYMPTOM	SOLUTION
Up Arrow Flash(es)	Down Arrow Flash(es)		
4	1-4	Ovi liikkuu, pysähtyy ja/tai vaihtaa suuntaa.	Avaa ja sulje ovi käsin. Tarkista taipumisen tai esteiden, kuten rikkonaisten jousien tai ovilukon varalta, korjaa tarvittaessa. Jos ovi on vinoassa tai juutunut, soita koulutetulle ovijärjestelmien asentajalle. Jos ovi ei ole vinoassa tai juutunut, yritä ohjelmoida kulku uudestaan.
4	5	Avaaja toimii noin 15–20 cm, pysähtyy ja vaihtaa suuntaa.	Tiedonsiirtovirhe kulkumoduulissa. Tarkasta kulkumoduulin liitännät, vaihda moduuli tarvittaessa.
4	6	Autotallinoven avaaja ei sulkeudu, ja valo vilkkuu.	Infrapunavalokennot ovat väärin kohdistettu tai hetkellisesti estettyjä. Kohdista uudestaan molemmat anturit ja varmista, että LED-valot palavat yhtämittaisesti eivätkä välky. Varmista, että mikään ei roiku tai mitään ei ole kiinnitetty oveen siten, että se voisi keskeyttää anturin reitin sulkeutumisen aikana.
5	5	Ovi ei sulkeudu Timer-to-Close- tai MyQ-älypuhelinohjausta käytettäessä.	MyQ kauko-ohjattava LED-valo on asennettava TTC:n tai MyQ:n käyttämiseksi oven ohjaukseen. Kytke MyQ kauko-ohjattava LED-valo ja varmista, että se on ohjelmoitu autotallinoven avaajaan.

## 32 Vianmääritys

**Autotallinoven avaaja ei toimi ovisäätimestä tai kaukosäätimestä:**

- Tuleeko autotallinoven avaajaan sähkövirtaa? Kytke lamppu pistorasiaan. Jos se ei syty, tarkista sulakerasia tai automaattisulake. (Joitain pistorasioita säädetään seinäkytkimestä.)
- Oletko poistanut kaikki oveilukot käytöstä? Tarkista asennusohjeiden varoitukset sivulla 5.
- Ovatko johdotusliitännät oikein?
- Onko oven alle kerääntynyt jäätä tai lunta? Ovi voi olla jäänyt maahan kiinni. Poista mahdollinen este.
- Autotallinoven jousi voi olla rikki. Vaihdata se (katso kohta 3 Suunnittelu).

**Ovenavaaja toimii yhden painikkeen säätöasemasta mutta ei kaukosäätimestä:**

- Ohjelmoi kaukosäädin uudestaan ja vaihda paristo tarvittaessa. Tee sama kaikkien kaukosäädinten kanssa.

**Ovi avautuu ja sulkeutuu itsestään:**

- Varmista, että kaikki kaukosäätimen painikkeet ovat pois päältä.
- Irrota kellojohto yhden painikkeen säätöaseman liittimistä ja käytä vain kaukosäätimestä. Jos tämä ratkaisee ongelman, yhden painikkeen säätöasema on viallinen tai johdossa on oikosulku. Vaihda säätöasema.
- Tyhjennä muisti ja ohjelmoi kaikki kaukosäätimet uudestaan (katso kaukosäätimen mukana toimitettuja ohjeita tai käy sivustolla LiftMaster.eu).

**Kaukosäädin ei aktivoi autotallinovea:**

- Tarkista, että lukitusominaisuutta ei ole aktivoitu ovisäätimestä.
- Ohjelmoi kaukosäädin uudestaan.
- Jos kaukosäädin ei edelleenkään aktivoi ovea, tarkista vianmäärityskoodit varmistaaksesi, että autotallinoven avaaja toimii asianmukaisesti.

**Kaukosäätimellä on lyhyt toiminta-alue:**

- Vaihda kaukosäätimen paikkaa autossasi.
- Joissain järjestelmissä voi olla lyhyt toiminta-alue metallinoven, foliotaustaisen eristyksen tai metallisen autotallin sivun vuoksi.

**Ovi ei aukea kokonaan:**

- Tarkasta virta ovilukosta.
- Estääkö jokin ovea? Onko se epätasapainossa tai ovatko jouset rikki? Poista este ja korjaa ovi.

**Ovi avautuu, mutta ei sulkeudu:**

- Tarkista, että kaapelin kireysmonitori on asianmukaisesti asennettu. Jos toinen kaapelin kireysmonitori on poistettu, noudata ohjeita opettaaksesi uudestaan yksittäisen kaapelin kireysmonitorin uudestaan (katso kohta 14).
- Infrapunavalokennot on yhdistettävä ja kohdistettava oikein, ennen kuin ovenavaaja liikkuu alas-asentoon. Jos pystyt sulkemaan oven käyttämällä jatkuvaa painetta, tarkista, että infrapunavalokennot ovat oikein asennetut, kohdistetut ja esteettömät.
- Jos autotallinoven avaajan valot vilkkuvat, tarkista infrapunavalokennot.
- Jos autotallinoven avaajan valot eivät vilku ja se on uusi järjestelmä (katso kohta 14). Olemassa oleville järjestelmille katso alta.
- Toista suunnanvaihdoksen turvatesti, kun säädöt on tehty valmiiksi.

#### Ovi vaihtaa suuntaa ilman ilmeistä syytä, ja autotallinoven avaajan valot eivät vilku:

- Tarkista, että kaapelin kireysmonitori on asianmukaisesti asennettu. Jos toinen kaapelin kireysmonitoreista irrotetaan, kytke molemmat monitorit irti avaajasta. Kytke sitten monitori, jota haluat käyttää, ja irrota ja kytke avaaja kolme kertaa opettaaksesi monitorin avaajaan. Mukana toimitettava 1k-vastus on vain CTM-asennuksen viannääritystä varten. EN12453-standardin mukaan kaapelin kireysmittari on asennettava, jotta kaapelien löysyys voidaan kunnolla havaita.
- Estääkö jokin ovea? Vedä hätävapautuskahvasta. Käytä ovea käsin. Jos on epätasapainossa tai vinoissa, soita koulutetulle ovijärjestelmien asentajalle.
- Puhdista jää tai lumi autotallin lattialta, johon ovi sulkeutuu.
- Tarkista kohta 20.

Toista suunnanvaihdoksen turvatesti säätöjen jälkeen.

#### Ovi ei mene kiinni ja valot vilkkuvat:

Infrapunavalokennot on yhdistettävä ja kohdistettava oikein, ennen kuin autotallinoven avaaja liikkuu alas-asentoon.

- Tarkista, että infrapunavalokennot on oikein asennettu, kohdistettu ja esteettömiä.

#### Autotallinoven avaaja ei käytä ovea:

- Ovi voi olla epätasapainossa tai jouset ovat rikki. Sulje ovi ja käytä hätävapautuskahvaa irrottaaksesi oven. Avaa ja sulje ovi käsin. Asianmukaisesti tasapainotettu ovi pysyy missä tahansa kulkureitin pisteessä kokonaan jousiensä varassa. Jos näin ei ole, irrota autotallinoven avaaja ja soita koulutetulle ovijärjestelmien asentajalle.

#### Autotallinoven avaajan moottori hyrisee hetken, mutta ei toimi sen jälkeen:

- Autotallinoven jouset voivat olla rikki. Katso yltä.
- Jos ongelma esiintyy, kun autotallinoven avaajaa käytetään ensimmäistä kertaa, ovi voi olla lukossa. Ota oven sähkölukko pois käytöstä.

#### Autotallinoven avaaja ei toimi sähkökatkoksen takia:

- Avaa oven sähkölukko käsin.
- Käytä hätävapautuskahvaa irrottaaksesi oven. Ovi voidaan avata ja sulkea käsin. Kun virta palautetaan, vedä manuaalista vapautusta toisen kerran.
- Ota oven lukot pois käytöstä. Käytä hätävapautuskahvaa irrottaaksesi oven. Ovi voidaan avata ja sulkea käsin.

#### Oven rajat katoavat:

- Kaulusta ei ole kiristetty kunnolla. Kiristä kaulus ja ohjelmoi rajat uudelleen (katso kohta 20).

#### Autotallinoven avaaja liikkuu, kun ovi on toiminnassa:

- Vähäinen liike on normaalia tälle tuotteelle. Jos se on liiallista, kaulus kuluu enneaikaisesti.
- Tarkista ja varmista, että vääntösauva ei liiku liikaa vasemmalle/oikealle.
- Tarkista ja varmista, että vääntösauva ei näkyvästi liiku ylös ja alas pyöriessään.
- Tarkista, että avaaja on asennettu oikeaan kulmaan nostoakseliin nähden. Jos ei, siirrä kiinnityskannakkeen paikkaa

#### Automaattinen ovilukon liitin ei sovi ovenavaajan pistokkeeseen:

- Vanhemman mallin 24V ovilukot eivät ole yhteensopivia. Käytä automaattista ovilukkoa, malli 841EU, Katso Lisävarusteet-sivu.

#### Automaattinen autotallinoven lukko ei aktivoidu, kun autotallinovi avataan tai suljetaan:

- Akun varatoimintotilassa automaattinen autotallinoven lukko avautuu, kun autotallinovi on auki ja pysyy poissa käytöstä, kunnes virtaa taas syötetään.

#### Ovenavaajasta kuuluu piippausäänimerkki:

- Osoittaa valvomattoman sulkeutumisen. Avaaja on aktivoitu MyQ-sovelluksella tai autotalli- ja porttimonitorista.
- Yhtämittaisesti palava oranssi LED, joka antaa piippausäänimerkin noin 2 sekunnin välein ilmaisee, että autotallinoven avaaja toimii akkuvirralla.
- Vilkkuva oranssi LED-valo ja noin 30 sekunnin välein kuuluva piippausäänimerkki ilmaisevat, että akun varaus on vähissä.
- Yhtämittaisesti palava punainen LED-valo ja noin 30 sekunnin välein kuuluva piippausäänimerkki ilmaisevat, että 12V akku ei enää pidä varusta ja on vaihdettava.

#### Autotallinovi antaa piippausäänimerkin ja punainen LED vilkkuu:

Akkuvirta on vähissä tai akusta on loppunut virta.

- Vaihda akku.

#### MyQ-älypuhelinohjaus, langattomat MyQ-laitteet ja Timer-to-Close eivät toimi:

- Akkuvaratilassa MyQ-älypuhelinohjaus, langattomat MyQ-laitteet ja Timer-to-Close poistetaan käytöstä.
- MyQ kauko-ohjattava LED-valo on asennettava oven Timer-to-Closen tai MyQ-älypuhelinohjauksen käyttöön. Kytke MyQ kauko-ohjattava LED-valo ja varmista, että se on ohjelmoitu autotallinoven avaajaan. Timer-to-Closen ja MyQ-älypuhelinohjauksen käyttöönotto voi kestää 5 minuuttia.

### 33 Lisävarusteet

Käytä aina LiftMaster-lisävarusteita.

Ulkoiset tuotteet voivat aiheuttaa toimintahäiriöitä.

1.	TX4UNIF	4-kanavainen yleiskaukosäädin
2.	TX4EVS	4-kanavainen kaukosäädin
3.	TX4UNI/S	4-kanavainen yleiskaukosäädin
4.	128EV	Langaton seinäsäädin 2-kanavainen
5.	747EV	Näppäimistö
6.	78EV	Johdollinen monitoiminen seinäsäädin
7.	FLA-1LED	Viikkuvalo
8.	772E	Valokennot
9.	100034	Avainkytkin (uppoasennus)
10.	100041	Avainkytkin (pinta-asennus)
11.	829EV	Autotallinoven monitori
12.	485EU	Akun varatoiminto
13.	827EV	MYÖ KAUKO-OHJATTAVA LED-VALO:
14.	041A9264	Kaapelin kireysmonitori
15.	841EU	Automaattinen ovilukko

### 34 Tekniset tiedot

Syöttöjännite	230-240 VAC, 50 Hz
Maks.vääntö	36 Nm - AC + AKUN 29 Nm - AC
Nimellisvääntö	10 Nm
Teho	150 W
Valmiusteho	2,6 W
Moottorityyppi	Tasavirtavaihdemoottori pysyvällä voitelulla
Melutaso	57dB
Kulkunopeus	21 kierr./min (alas), 36 kierr./min (ylös)
Henkilökohtainen turvallisuus	Painike ja automaattinen pysäytys alas-suunnassa. Painike ja automaattinen pysäytys ylös-suunnassa.
Elektroninen	Automaattinen voimansäätö
Sähköinen	Muuntajan ylikuormitusuoja ja matalajännitteisenpainikkeen johdotus.
Rajalaite	Optinen RPM/Ohituspisteilmaisin.
Rajasäätö	SÄHKÖINEN, PUOLI- JA TÄYSIAUTOMAATTINEN.
Aloituspää	Matalajännitteisen painikkeen piiri.
Oven enimm.korkeus	3 m
Oven enimm.leveys	5,5 m
Oven enimm.pinta-ala	16.5 m <sup>2</sup>
Oven maksimipaino	130 kg
Ripustuspaino	11 kg
Vastaanottajan muistipaikat	64
Toimintataajuus	433 / 868 MHz, 2,4 GHz

## 35 Automaattisen autotallinoven avajaan turvallisuus- ja huolto-opas

### AUTOTALLINOVEN AVAAJAN TURVALLISUUS - AUTOMAATTINEN PÄÄTÖS

Autotallinovi on kodin suurin liikkuva esine. Väärin säädetty autotallinovi ja avaja voivat aiheuttaa kuolettavan voiman oven sulkeutuessa – se voi johtaa lasten tai aikuisten kiinnijuttumiseen ja siitä seuraavaan henkilövahinkoon tai kuolemaan.

Asianmukainen autotallinoven ja automaattisen avajaan asennus, käyttö, huolto ja testaus ovat välttämättömiä turvallisen ja ongelmattoman järjestelmän toimintaa varten. Huolimaton käyttö tai jos lasten annetaan leikkiä tai käyttää autotallinoven avajaan säätimiä ovat myös vaarallisia tilanteita, jotka voivat aiheuttaa traagisia tuloksia. Muutamat yksinkertaiset varoimenpiteet voivat suojata perhettäsi ja ystäviäsi mahdollisilta vahingoilta. Tarkista turvallisuus- ja huoltovihjeet tästä esitteestä huolellisesti ja säilytä se. Tarkasta autotallinoven ja avajaan toiminta varmistaaksesi, että ne toimivat turvallisesti ja ongelmattomasti. Varmista, että luet kaikki tärkeät turvallisuustiedot, jotka löytyvät autotallinoven avajasi käyttöoppaasta, koska ne tarjoavat tarkemmat tiedot ja turvallisuuskohtat kuin mitä tässä esitteessä voidaan antaa.

#### Autotallinoven avajat eivät ole leluja

Keskustele autotallinoven ja avajan turvallisuudesta lastesi kanssa. Selitä vaarat, joita aiheutuu oven alle jäämisestä.



**Pysy poissa liikkuvan oven tieltä.**



**Pidä lähettimet ja kaukosäätimet poissa lasten ulottuvilta.** Älä anna lasten leikkiä tai käyttää lähettimiä tai muita kaukosäädinlaitteita.



**Seinälle asennetun painikkeen tulee olla poissa lasten ulottuvilta,** vähintään 1,5 metriä lähimmästä seisontapinnasta ja poissa kaikista liikkuvista osista. Asenna ja käytä painiketta, kun selkeästi näet sulkeutuvan autotallinoven.



**Pidä ovi näkyvässäsi, kunnes se on täysin kiinni** kun käytät seinälle asennettua painiketta tai lähettä.

## 36 Säännöllinen huolto voi estää tragedioita

Tarkista ja testaa autotallinovi ja avaajajärjestelmä joka kuukausi osana säännöllistä rutiinia. Tarkista omistajan käyttöopas sekä oven että ovenavaajan varalta. Jos sinulla ei ole omistajan käyttöopasta, ota yhtettä valmistajaan ja pyydä oman mallisi kopiota siitä. Etsi avaajan mallinumero virtayksikön takaa.



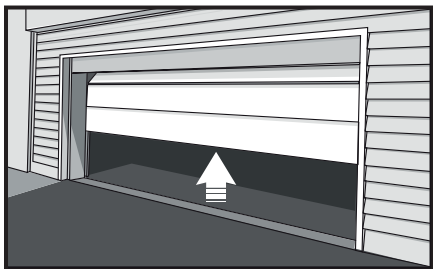
**VAROITUS** - Jousiin kohdistuu suuri jännitys.  
Vain pätevät henkilöt saavat säätää niitä.

### Tarkasta ovi ja asennus silmämääräisesti.



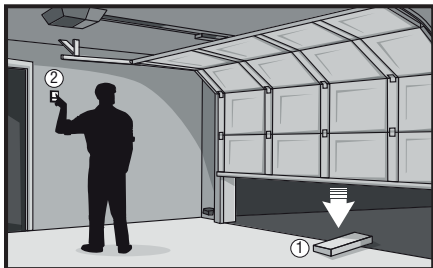
- Aloita, kun ovi on kiinni, käytä manuaalista irrotusta avaajasta irrottaaksesi oven.
- Etsi kulumisen tai vaurioiden merkkejä saranoista, rullista, jousista ja ovipaneeleista.
- Nämä osat voivat vaatia voitelua määräajoin. Tarkista omistajan käyttöoppaasta ehdotettu huolto.
- Jos vaurioiden merkit ovat ilmeisiä, ota yhteyttä koulutettuun ovijärjestelmien asentajaan saadaksesi apua.
- Varmista, että sähkösilmän korkeus ei ole yli 15 cm autotallin lattiasta.

### Testaa ovi asianmukaisen toiminnan varalta:



- Avaa ja sulke ovi manuaalisesti käyttämällä kahvoja tai sopivia tarttumiskohtia.
- Oven tulisi liikkua vapaasti ja vaikeuksitta.
- Oven tulisi hakeutua tasapainoon ja pysyä osittain auki noin 1 metrin korkeudella lattiasta.
- Jos havaitset merkkejä virheellisestä toiminnasta, ota yhteyttä koulutettuun ovijärjestelmien asentajaan saadaksesi apua.

### Avaajan turvaominaisuuksien testaus:



- Kytke avaaja takaisin oven käyttämällä manuaalista oven irrotusta ja avausta.
- Aseta 40 mm korkea levy maahan oven kulkureitille (1) ja yritä sulkea ovea (2). Oven tulisi pysähtyä, kun se osuu levyyn ja sitten vaihtaa suuntaa.
- Estä valokennoanturi heilauttamalla esinettä anturin edessä ja yritä sulkea ovea. Oven ei tulisi sulkeutua, ellei seinälle kiinnitettyä painiketta pidetä käsin pohjassa toiminnan aikana.
- Jos avaaja ei toimi kuvatulla tavalla, ota yhteyttä koulutettuun ovijärjestelmien asentajaan saadaksesi apua.

**Poznámka:**

Pôvodné pokyny na inštaláciu a obsluhu boli zostavené v angličtine.

Každý iný dostupný jazyk je prekladom pôvodnej anglickej verzie.

<b>1</b>	Všeobecné bezpečnostné pokyny.....	2
<b>2</b>	Zamýšľané použitie .....	3
<b>3</b>	Plánovanie prevádzky dverí .....	3
<b>4</b>	Plánovanie obsluhy zariadenia MyQ .....	3
<b>5</b>	Priprava garážovej brány .....	4
<b>6</b>	Potrebné nástroje .....	4
<b>7</b>	Zásoba kartónu.....	4
<b>8</b>	Požadované príslušenstvo .....	4
<b>9</b>	Pripevnite spojku k zariadeniu na otváranie garážových dverí.....	5
<b>10</b>	Pripevnite montážnu konzolu k zariadeniu na otváranie garážových dverí .....	5
<b>11</b>	Umiestnite a namontujte zariadenie na otváranie garážových dverí .....	5
<b>12</b>	Pripojte lano a rukoväť núdzového uvoľnenia .....	5
<b>13</b>	Nainštalujte automatický zámok dverí.....	6
<b>14</b>	Pripojte monitor napnutia káblov (041A9264) (požadované príslušenstvo).....	6
<b>15</b>	Inštalácia LED diódy diaľkového ovládania MyQ (len pre suché oblasti).....	7
<b>16</b>	Elektrické pripojenie .....	7
<b>17</b>	Inštalácia fotobuniek.....	7
<b>18</b>	Pripojte napájanie.....	8
<b>19</b>	Nainštalujte záložnú batériu (voliteľné príslušenstvo) .....	8
<b>20</b>	Naprogramujte posun .....	9
<b>21</b>	Otestujte systém bezpečnostného návratu dverí do pôvodnej polohy .....	9
<b>22</b>	Ručné otvorenie dverí .....	10
<b>23</b>	Používanie zariadenia na otváranie garážových dverí .....	10
<b>24</b>	Pripojte sa so smartfónom.....	12
<b>25</b>	Naprogramujte si svoje zariadenie na otváranie a diaľkový ovládač/Bezdrôtové tlačidlo/Bezdrôtovú klávesnicu (voliteľné).....	13
<b>26</b>	Naprogramujte LED kontrolku diaľkového ovládania MyQ.....	13
<b>27</b>	Vymazanie pamäte.....	14
<b>28</b>	Starostlivosť o zariadenie na otváranie garážových dverí.....	14
<b>29</b>	Vymeňte batérie v diaľkovom ovládači .....	14
<b>30</b>	Likvidácia.....	15
<b>31</b>	Diagnostická tabuľka .....	15
<b>32</b>	Riešenie problémov.....	16
<b>33</b>	Voliteľné príslušenstvo.....	19
<b>34</b>	Technické údaje.....	19
<b>35</b>	Spravidca bezpečnosťou a údržbou automatického zariadenia na otváranie garážových dverí.....	20
<b>36</b>	Bežná údržba môže zabrániť vzniku tragédií .....	21

# VAROVANIE!

## ZAČNITE TÝM, ŽE SI PREČÍTAJTE TIETO DÔLEŽITÉ BEZPEČNOSTNÉ POKYNY!

### 1 Všeobecné bezpečnostné pokyny

Pred začiatkom inštalácie:

prečítajte si návod na použitie a predovšetkým bezpečnostné opatrenia. Uchovajte si návod pre budúce použitie a odovzdajte ho prípadnému neskoršiemu majiteľovi. Pred jednotlivými pokynmi sa uvádzajú nasledujúce symboly, aby sa predišlo zraneniu osôb alebo poškodeniu majetku. ieto pokyny si pozorne prečítajte.



#### UPOZORNENIE

Zranenie osôb alebo poškodenie majetku



**UPOZORNENIE** Danger due to electric current or voltage

#### Dôležité bezpečnostné informácie

Je samozrejmosťou, že automatický systém otvárania dverí bol už otestovaný a navrhnutý na zaistenie bezpečnej prevádzky, napriek tomu môže byť bezpečnosť zaručená len vtedy, keď sa pri jeho inštalácii a prevádzke prísne dodržiavajú nižšie uvedené bezpečnostné pokyny. Tento výrobok je určený len na inštaláciu vyškolenými technikmi garážových dverí. Tento výrobok môže vyžadovať nastavenie dverových pružín a/alebo kolajnic. Tento výrobok nie je určený na použitie na kolajniciach so zavesenými kolajnicami s vonkajším podávačim valcom ani na garážových dverách s využitím predlžovacích pružín.

- Pred začatím akejkoľvek práce si inštalatér (odborník) musí starostlivo prečítať tieto pokyny a porozumieť im. Pred prvým použitím a aspoň raz ročne musí odborník skontrolovať elektricky ovládané okná, dvere a brány, pokiaľ ide o ich bezpečný stav. Odborníkom je osoba, ktorá má na základe technického výcviku a skúseností dostatočné vedomosti v oblasti elektricky ovládaných okien, dverí a brán a je navyše oboznámená s príslušnými štátnymi predpismi o bezpečnosti pri práci a so všeobecne uznávanými technickými predpismi v takom rozsahu, že je tiež schopná posúdiť bezpečný pracovný stav elektricky ovládaných okien, dverí a brán.
- Osoba, ktorá vykonáva inštaláciu, musí mať vedomosti o nasledujúcich normách: EN 13241, EN 12604 a EN 12453. Vyškolený odborník musí prevádzkovateľovi poskytnúť pokyny o:
  - prevádzke pohonu a nebezpečenstvách, ktoré predstavuje,
  - manipulácii s ručným núdzovým odblokovacím mechanizmom, pravidelnej údržbe, kontrole a starostlivosti a o úlohách prevádzkovateľa,
  - prevádzkovateľ musí zaškoliť ostatných používateľov, pokiaľ ide o fungovanie pohonu. Po úspešnej inštalácii pohonu musí osoba zodpovedná za inštaláciu pohonu v súlade so smernicou o strojových zariadeniach č. 2006/42/ES vystaviť ES vyhlásenie o zhode pre systém brány. K systému brány musí byť pripojená značka CE a typový štítok. Toto je tiež povinné počas dodatočnej montáže na ručne ovládanej bráne. Ďalej musí byť vyplnený protokol o odovzdaní a kniha kontrol.
- Dvere by mali byť vyvážené. Nepohyblivé alebo zablokované dvere musia byť opravené. V nevyváženom stave sú garážové dvere, dverné pružiny, káble, kotúče, konzoly a kolajnice vystavené extrémnemu namáhaniu, čo môže viesť k vážnemu zraneniu. Nepokúšajte sa uvoľniť, posunúť ani opakovane nastaviť dvere, ale kontaktujte servisné stredisko alebo odborníkov na dvere.
- Počas inštalácie alebo údržby zariadenia na otváranie dverí by sa nemali nosiť šperky, hodinky ani voľný odev.
- Aby ste predišli vážnemu zraneniu osôb v dôsledku zachytenia, pred inštaláciou zariadenia na otváranie dverí odstráňte všetky káble a reťaze pripojené k dverám.
- Počas inštalácie a elektrického pripojenia je potrebné dodržiavať miestne stavebné a elektrické predpisy.
- Inštalácia monitora napnutia káblov musí zodpovedať norme EN12453.
- Aby sa zabránilo poškodeniu veľmi ľahkých dverí (ako sú dvere zo sklenených vlákien, hliníkové alebo ocelové dvere), je potrebné pridať vhodnú výstuž. S týmto cieľom kontaktujte výrobcu dverí.
- Automatický systém bezpečnostného vrátenia sa dverí do pôvodnej polohy by sa mal podrobiť skúške. Garážové dvere sa MUSIA pri kontakte s bariérou vysokou 40 mm na zemi vrátiť späť. Nedodržanie správneho nastavenia zariadenia na otváranie dverí môže pri zatváraní dverí spôsobiť vážne zranenie osôb. Zopakujte skúšku raz mesačne a vykonajte potrebné zmeny.
- Tento systém nesmie byť inštalovaný vo vlhkých ani mokrych priestoroch.
- Počas prevádzky brána nesmie byť za žiadnych okolností prekážkou na verejných priechodoch.
- Ako pripomienku pre všetkých členov obsluhy na bezpečnú prevádzku môžete okrem osvetleného vypínača na stene umiestniť aj výstražný štítok na ochranu detí. Varovné značky o riziku zachytenia by mali byť umiestnené na jasne viditeľných miestach.
- Deti musia byť pod dozorom, aby sa s týmto výrobkom nehrali. Nedovoľte, aby deti ovládali tlačidlá ani diaľkové ovládanie.
- Toto zariadenie nie je určené na použitie osobami (vrátane detí) s obmedzenými fyzickými, zmyslovými alebo duševnými schopnosťami alebo s nedostatkom skúseností a/alebo vedomostí, pokiaľ nie sú pod dohľadom osoby zodpovednej za ich bezpečnosť alebo ak nedostali pokyny na používanie zariadenia.
- Všetky bariéry/zámky sú odomknuté, aby nedošlo k poškodeniu dverí.
- Ak je to potrebné, nainštalované ovládacie zariadenie MUSÍ byť namontované na dohľad od dverí a mimo dosahu detí. Nedovoľte deťom ovládať tlačidlá ani diaľkové ovládače. Nesprávne používanie zariadenia na otváranie dverí môže spôsobiť vážne zranenie.
- Zariadenie na otváranie dverí by sa malo používať LEN vtedy, ak má obsluha výhľad na celú oblasť dverí a je presvedčená, že táto oblasť je bez prekážok a zariadenie na otváranie dverí je správne nastavené. Nikto nesmie prechádzať cez pohybujúce sa dvere. V blízkosti dverí sa nesmú hrať deti.
- Funkciu manuálneho uvoľnenia použite iba na oddelenie nosiča od pohonu a -ak je to možné, LEN pri zatvorených dverách. Nepoužívajte červenú rukoväť na zatlačenie dverí nahor alebo ich potiahnutie dolu.

- Pred vykonaním akékoľvek opravy alebo odstránením krytov by malo byť zariadenie na otváranie dverí odpojené od elektrického napájania. **Opravy a elektroinštalácie smie vykonávať iba oprávnený elektrikár.**
- Tento výrobok zahŕňa transformátor so špeciálnym napájacím káblom. V prípade jeho poškodenia MUSÍ kvalifikovaný technik tento transformátor nahradiť pôvodným transformátorom.
- Ak sú pružiny slabé alebo zlomené alebo ak sú dvere nevyvážené, aktivácia núdzového odblokovania môže viesť k nekontrolovanému pohybu dverí.
- Namontujte uvoľňovací rukoväť núdzového odblokovania vo výške menšej ako 1,80 m.
- Príkladmi bezobslužného zatvárania je funkcia časovača Timer-to-Close (TTC), aplikácia ovládania s mobilným telefónom MyQ a monitor garážových dverí a brány MyQ, ktoré sa môžu používať IBA so sekčnými dverami. Akékoľvek zariadenie alebo funkcia, ktorá umožňuje zatvárať dvere bez toho, aby boli dvere v dohľade, sa považuje za zatvorenie bez obsluhy. Funkcia časovača (TTC), aplikácia ovládania s mobilným telefónom MyQ a všetky ostatné zariadenia s funkciou MyQ sa používajú IBA so sekčnými dverami.
- Pohon sa nesmie používať v prípade, že je garážová brána vybavená personálnymi dverami.

Tieto pokyny si uložte.

## 2 Zamýšľané použitie

Toto zariadenie je určené na otváranie a zatváranie dverí, ktoré využívajú torznú tyč a pružiny (pozrite si časť 3 „Plánovanie“). Zariadenie nie je určené na komerčné účely, ale výlučne na použitie v súkromných garážových dverách, ktoré sú vhodné pre jednu domácnosť. Akékoľvek nesprávne používanie pohonu môže zvýšiť riziko vzniku nehôd. Výrobca nepreberá za takéto použitie žiadnu zodpovednosť. K pohonu možno pripojiť len pôvodné príslušenstvo značky LiftMaster. Použitie tohto pohonu v automatizovaných bránach musí v súlade s platnými medzinárodnými a miestnymi normami, predpismi a nariadeniami (EN 13241, EN 12453 a EN 12604).

## 3 Plánovanie prevádzky dverí

Vykonajte prieskum svojej oblasti a zistite, či sa na vašu inštaláciu vzťahuje niektorá z nižšie uvedených podmienok.

V závislosti od vašich požiadaviek sa môžu vyžadovať dodatočné materiály.

Toto zariadenie na otváranie dverí je kompatibilné s:

- Dverami, ktoré používajú torznú tyč a pružiny. Torzná tyč musí mať priemer 25,4 mm. NEKOMPATIBILNÉ s reverzne navijajúcimi bubnami.
- 80 - 120 mm bubny, ktoré sa nesmú používať na zúžených bubnoch nad 120 mm.
- Sekčnými dverami štandardného zdvihu do výšky 3 m.
- Dvere do šírky 5,5 m.
- Dvere do 16.5 m<sup>2</sup>.

*Poznámka: Skontrolujte torznú tyč, keď sú dvere zdvihnuté a spustené. Je dôležité, aby nedošlo k výraznému pohybu hore a dole ani doľava a doprava. Ak sa tento pohyb nenapraví, životnosť zariadenia na otváranie garážových dverí sa výrazne zníži.*

Skontrolujte navrhovanú oblasť inštalácie. Zariadenie na otváranie dverí je možné inštalovať na ľavej alebo pravej strane dverí. Vyberte stranu, ktorá spĺňa požiadavky uvedené nižšie.

- Medzi stenou a stredom torznej tyče musí byť minimálna vzdialenosť 6,4 cm.
- Medzi stropom a stredom torznej tyče musí byť minimálna vzdialenosť 7,6 cm.
- Medzi bočnou stenou (alebo prekážkou) a koncom torznej tyče musí byť minimálna vzdialenosť 21,6 cm.
- Torzná tyč sa musí predlžovať o minimálne 3,81 cm za ložisko. Táto skutočnosť sa môže líšiť v závislosti od vašich požiadaviek na inštaláciu.
- Elektrická zásuvka je potrebná vo vzdialenosti 1,83 m od montážnej plochy. Ak taká zásuvka nie je k dispozícii, kontaktujte príslušného elektro-technika.

## 4 Plánovanie obsluhy zariadenia MyQ

Túto obsluhu môžu riadiť fotosnímače MyQ, ktoré je potrebné nainštalovať. Monitorujte a ovládajte svoje garážové brány odkiaľkoľvek pomocou aplikácie MyQ.

**PREDTÝM, AKO ZAČNETE:**

Budete potrebovať:

smartfón, tablet alebo prenosný počítač s funkciou Wi-Fi, širokopásmové pripojenie k internetu, Wi-Fi signál v garáži (2,4 Ghz, vyžaduje sa 802,11b/g/n), heslo pre domácu sieť (hlavný účet smerovača, nie hosťovská sieť).

**SKONTROLUJTE INTENZITU SIGNÁLU WI-FI**

Skontrolujte, či je vaše mobilné zariadenie pripojené k sieti Wi-Fi. Podržte svoje mobilné zariadenie na mieste, kde bude nainštalované zariadenie na otváranie garážových dverí, a skontrolujte intenzitu signálu Wi-Fi.

**Signál Wi-Fi je silný.**

Zariadenie na otváranie garážových dverí sa pripája k vašej sieti Wi-Fi.

**Signál Wi-Fi je slabý.**

Zariadenie na otváranie garážových dverí sa môže pripojiť k vašej sieti Wi-Fi. Ak nie, skúste jednu z nižšie uvedených možností na zlepšenie signálu Wi-Fi:

**Žiadny signál Wi-Fi.**

Zariadenie na otváranie garážových dverí nie je možné pripojiť k vašej sieti Wi-Fi. Na zlepšenie signálu Wi-Fi vyskúšajte jednu z nižšie uvedených možností: Posuňte smerovač bližšie k zariadeniu na otváranie garážových dverí, aby sa minimalizovalo rušenie od stien a iných predmetov. Obstarajte si rozšírenie Wi-Fi  
3 / sk



## 5 Príprava garážovej brány



**UPOZORNENIE:** Ak sa garážové dvere zovrú, zaseknú alebo sú nevyvážené, **VŽDY** zavolajte vyškoleného technika na dverové systémy. Nevyvážené garážové dvere sa v prípade potreby **NEVRÁTIA NASPÄŤ**. **NIKDY** sa nepokúšajte uvoľniť, posunúť alebo nastaviť garážové dvere, dverné pružiny, káble, remenice, konzoly alebo ich vybavenie, ktoré sú pod **EXTRÉMNYM** napätím. Pred inštaláciou a obsluhou zariadenia na otváranie garážových dverí deaktivujte **VŠETKY** zámky a odstráňte **VŠETKY** laná pripojené ku garážovým dverám, aby sa zabránilo zachyteniu do nich. Tento otvárací systém je vybavený funkciou prevádzky bez obsluhy. Dvere sa môžu neočakávane dostať do pohybu. **NEPREKRAČUJTE PRAH POHYBLIVÝCH DVERÍ**.

**PREDTÝM, AKO ZAČNETE:**

- Deaktivujte zámky.
- Odstráňte všetky laná spojené s garážovými dverami.

Abyste sa uistili, že garážové brány sú vyvážené a nie sú zovreté alebo zaseknuté, vykonajte nasledujúcu skúšku:

- Nadvihnite dvere do polovice. Uvoľnite dvere. Ak sú dvere vyvážené, mali by zostať na mieste a mali by ich podporovať výhradne ich pružiny.
- Nadvihnite a spustíte dvere, aby ste skontrolovali, či nie sú zovreté alebo zaseknuté.
- Dvere ťažšie ako 130 kg by sa **NEMALI** rýchlo otvárať ani spúšťať.

Ac sa garážové dvere zovrú, zaseknú alebo sú nevyvážené, zavolajte vyškoleného technika na dverové systémy.

## 6 Potrebne nástroje

Počas montáže, inštalácie a nastavenia zariadenia na otváranie garážových dverí vyžaduje návod na obsluhu ručné náradie tak, ako je znázornené nižšie.

- |                    |                                      |
|--------------------|--------------------------------------|
| 1. Rebrík          | 7. Skrutkovač                        |
| 2. Vŕtačka         | 8. Vodováha                          |
| 3. Zvinovací meter | 9. Tesárske kladivo                  |
| 4. Nožnice na drôt | 10. Račňové kľúče a kľúč s nastavcom |
| 5. Kliešte         | 11. Nastaviteľný koncový kľúč        |
| 6. Vrtáky          | 12. Ceruzka                          |

## 7 Zásoba kartónu

Ac niektorá položka chýba, starostlivo prezrite obal.

ZARIADENIE NA OTVÁRANIE GARÁŽOVÝCH DVERÍ	9. Kotva na sadrokartónovú stenu (závitová) 42 mm	2x	
1. Zariadenie na otváranie garážových dverí, LM3800W	1x	10. Skrutka 27,85 mm	2x
2. Automatický zámok garážovej brány, 841EU	1x	<b>TAŠKA S TECHNICKÝM VYBAVENÍM</b>	
3. Montážna konzola	1x	11. Skrutka 15 mm	2x
4. Manžeta s nastavovacími skrutkami	1x	12. Skrutka 54,8 mm	4x
5. Bezpečnostné štítky	1x	13. Rukoväť	1x
6. 4-tlačidlový diaľkový ovládač, TX4EVF	2x	14. Lano	1x
7. LED kontrolka diaľkového ovládania MyQ, 827EV	1x	15. Skrutka 15 mm	2x
8. Návod		16. Kotva na sadrokartónovú stenu (závitová) 36,8 mm	4x
TECHNICKÉ VYBAVENIE SVETLA PRE DIALKOVÉ OVLÁDANIE		17. Skrutka 22 mm	2x

## 8 Požadované príslušenstvo

Monitor napnutia káblov 041A9264.

Infračervené fotobunky (pre obsluhu zariadenia MyQ: - 771EV alebo 772E alebo 771EVK alebo G770E).

## 9 Pripevnite spojku k zariadeniu na otváranie garážových dverí

Aby ste predišli ťažkostiam pri montáži, neotvárajte zariadenie na otváranie garážových dverí, kým k tomu nebudete vyzvaný.

Zariadenie na otváranie garážových dverí je možné inštalovať na každej strane dverí (pozrite si časť Plánovanie). Obrázky určené na inštaláciu sú uvedené na liste s obrázkami.

1. Uvoľnite nastavovacie skrutky.
2. Pripevnite spojku k hriadeľu motora zariadenia na otváranie garážových dverí. Strana spojky s väčším otvorom by mala byť umiestnená na hriadeľu motora.
3. Dbajte na to, aby spojka dosadla na hriadeľ motora až na doraz.
4. Umiestnite spojku tak, aby skrutky smerovali von a boli prístupné po pripojení k torznej tyči.
5. Bezpečne utiahnite 2 skrutky so štvorcovou hlavou, ktoré sa nachádzajú najbližšie k hriadeľu motora, ich otáčaním o 1/4 - 1/2 otáčky po kontakte s hriadeľom motora.

## 10 Pripevnite montážnu konzolu k zariadeniu na otváranie garážových dverí



1. Voľne pripevnite drážkovanú stranu montážnej konzoly k tej istej strane zariadenia na otváranie garážových dverí, na ktorú ste nainštalovali spojku, s pomocou dodaných skrutiek (11).

*Poznámka: Zatiaľ skrutky nedoťahujte.*

## 11 Umiestnite a namontujte zariadenie na otváranie garážových dverí



Ak montujete konzolu do muriva, **MUSÍTE použiť betónové kotvy**. Ak sú garážové dvere, pružiny, káble, remenice, konzoly alebo ich vybavenie pod extrémnym napätím, **NIKDY** sa ich nepokúšajte uvoľniť, posunúť ani nastavovať. Ak sa garážové dvere zovrú, zaseknú alebo sú nevyvážené, **VŽDY** zavolajte vyškoleného technika (inštalátora) na dverové systémy. Nevyvážené garážové dvere sa v prípade potreby nemusia vrátiť naspäť do polohy. Zariadenie na otváranie garážových dverí **MUSÍ** byť namontované v pravom uhle k torznej tyči, aby sa zabránilo predčasnému opotrebeniu spojky. Zohľadnite podmienky svojho miesta inštalácie.

*Poznámka: Ďalšie možnosti inštalácie nájdete na stránke príslušenstva.*

1. Dvere garáže úplne zatvorte.
2. Posuňte zariadenie na otváranie garážových dverí na koniec torznej tyče. Ak je torzná tyč príliš dlhá alebo poškodená, možno ju budete musieť skrátiť. Uistite sa, že sa spojka nedotýka ložiska.
3. Na umiestnenie a vertikálne nastavenie zariadenia na otváranie garážových dverí použite vodováhu. Overte, či je montážna konzola umiestnená na pevnom povrchu, ako je drevo, betón alebo držiak dverí/vlajky. Pri inštalácii na sadrokartón **MUSÍ** byť montážny držiak pripevnený na čap.
4. Ak bolo zariadenie na otváranie garážových dverí správne zarovnané, označte otvory montážnej konzoly. Ak je to potrebné, utiahnite skrutky spojky na torznej tyči, aby ste pri naznačovaní otvorov mohli podržať zariadenie na otváranie garážových dverí v danej polohe. **POZNÁMKA:** Zariadenie na otváranie garážových dverí nemusí byť v jednej rovine so stenou.
5. Odstráňte zariadenie na otváranie garážových dverí z torznej tyče. Na označených miestach vyvŕtajte 5 mm vodiace otvory. Ak je to potrebné, vyvŕtajte ich cez kovové lišty dverí.
6. Posuňte zariadenie na otváranie garážových dverí naspäť na torznú tyč, kým sa vodiace otvory nezarovnajú s konzolou.
7. Uťahnite 2 skrutky so štvorcovou hlavou na torznej tyči. Pri dutej torznej tyči dotiahnite skrutky o 3/4 || plnú otáčku po dosiahnutí kontaktu s tyčou. Pri torznej tyči s pevným hriadeľom dotiahnite skrutky o 1/4, ale najviac o 1/2 otáčky po kontakte s hriadeľom. Pri montáži na torznú tyč s drážkou **NEUŤAHUJTE** skrutky do drážky.
8. Upevnite montážnu konzolu k stene a zariadeniu na otváranie garážových dverí. Pomocou skrutiek (12) pripevnite montážnu konzolu k stene.

## 12 Pripojte lano a rukoväť núdzového uvoľnenia



Ak je to možné, použite rukoväť núdzového uvoľnenia na uvoľnenie dverí **LEN** vtedy, keď sú garážové dvere **ZATVORENÉ**. Slabé alebo zlomené pružiny alebo nevyvážené dvere môžu viesť k rýchlemu a/alebo neočakávanému poklesu otvorených dverí. **NIKDY** nepoužívajte rukoväť núdzového uvoľnenia, pokiaľ sa pri garážových dverách nachádzajú osoby alebo predáčky.

1. Jeden koniec lana núdzového uvoľnenia vložte cez rukoväť. Uistite sa, že „UPOZORNENIE“ sa nachádza napravo v smere nahor. Vykonajte zaistenie tak, že horný uzol bude vo výške najmenej 2,5 cm od konca lana, aby ste predišli sklznutiu.
2. Druhý koniec lana núdzového uvoľnenia vložte cez otvor v ramene uvoľnenia vozíka. Núdzové uvoľnenie namontujte v dosahu, ale minimálne 1,83 m nad podlahou, pričom sa vyhýbajte kontaktu s vozidlami, aby ste zabránili náhodnému uvoľneniu, a zaistite ho horným uzlom.

*Poznámka: Ak je potrebné lano skrátiť, termálne zapečatíte odrezaný koniec pomocou zápalky alebo zapalovača, aby nedošlo k roztrhnutiu.*

## 13 Nainštalujte automatický zámok dverí

Automatický zámok dverí (model 841EU) sa používa na zabránenie manuálnemu otváraniu dverí po ich úplnom zatvorení.

*Poznámka: Staršie 24 V modely dverí nie sú s touto funkciou kompatibilné.*

1. Zámok musí byť namontovaný vo vzdialenosti 3,05 m od zariadenia na otváranie dverí. Ak je to možné, namontujte ho na rovnakú stranu ako zariadenie na otváranie dverí.
2. Uistite sa, že je povrch kolajnice čistý, a pripevnite zámok ku kolajnici tak, aby sa otvor pre skrutku nachádzal približne 7,6 cm od stredu valčeka dverí.
3. Vyvŕtajte otvory tak, ako je označené na šablóne zámku.
4. Pripevnite automatický zámok dverí k vonkajšej strane kolajnice dverí pomocou dodaného vybavenia.
5. Natiahnite drôt pre zvonček až po zariadenie na otváranie dverí. Na upevnenie drôtu na niekoľkých miestach použite izolované svorky (voliteľné vybavenie). Zasuňte drôt cez spodnú stranu zariadenia na otváranie dverí.
6. Zapojte konektor do niektorej zástrčky zariadenia na otváranie dverí. Pomocný dverný zámok (841EU) je možné inštalovať na protifahej strane dverí podľa vyššie uvedených pokynov.

### ODSKÚŠAJTE AUTOMATICKÝ ZÁMOK DVERÍ

1. Keď sú dvere úplne zatvorené, skrutka automatického zámku dverí (B) by mala prečnievať cez kolajnicu.
2. Dvere otvárajú v smere otvorenia. Automatický zámok dverí (A) by sa mal zatiahnuť predtým, než sa dvere začnú pohybovať.
3. Ovládajte dvere v smere dolu. Keď sa dvere dostanú do úplne zatvorenej polohy, automatický zámok dverí by mal prejsť do uzamknutej polohy, aby sa dvere zaisťili.

*Poznámka: Ak automatický zámok dverí nefunguje, zámok sa dá ručne uvoľniť posunutím ručnej rukoväte (C) do otvorenej polohy.*

## 14 Pripojte monitor napnutia káblov (041A9264) (požadované príslušenstvo)

Monitor napnutia káblov MUSÍ byť pripojený a správne nainštalovaný, skôr ako sa zariadenie na otváranie garážových dverí posunie smerom dolu. Monitor napnutia káblov zistí akékoľvek uvoľnenie, ktoré sa môže vyskytnúť v kábloch, a zabezpečí, že sa dvere vrátia do pôvodnej polohy, čo odstráni potrebu zavolať servis. Inštalácia monitora napnutia káblov musí zodpovedať norme EN12453.

*Poznámka: Monitor napnutia káblov sa dodáva na inštaláciu na ľavú stranu. Pri inštalácii na pravej strane odskrutkujte kruhovú západku, ktorá drží valček mieste, a namontujte ho na opačnej strane monitora napnutia kábla.*

1. Uistite sa, že sa dverový kábel nachádza približne 19 mm od montážneho povrchu. Na dosiahnutie správnej hĺbky dverového kábla môže byť potrebné nastaviť dvere alebo ich vyrovnáť vložkami.
2. Umiestnite monitor napnutia káblov tak, aby sa valček nachádzal 5 až 15 cm od bubna a valček sa rozširoval o 3 až 6 mm za kábel. Uistite sa, že je monitor napnutia káblov umiestnený nad drevenou podporou a valček neobsahuje žiadne prekážky.

*Poznámka: V oblasti inštalácie nesmú byť žiadne prekážky, ktoré by po zistení uvoľnenia bránili úplnému zatvoreniu monitora napnutia káblov.*

3. Označte a vyvŕtajte 5 mm vodiace otvory pre skrutky (pre kotvy nie sú vodiace otvory potrebné).
4. Pripojte monitor napnutia káblov k stene pomocou dodaného vybavenia. Presvedčte sa, či je valček umiestnený na hornej strane kábla.
5. Spustite drôt pre zvonček k zariadeniu na otváranie dverí. Na upevnenie drôtu používajte odizolované svorky.
6. Pripojte kábel zvončeka k zeleným konektorom rýchleho pripojenia (10 + 11) na zariadení na otváranie dverí (polarita nie je dôležitá).

*Poznámka: Kábel musí byť napnutý po celej dráhe dverí. Pri normálnej prevádzke sa uistite, že na opačnej strane dverí nie je voľný kábel. Pokiaľ dôjde k uvoľneniu počas posunu dverí, káble nastavte podľa potreby.*

Ak po inštalácii dvoch monitorov napnutia káblov niektorý z monitorov zistí uvoľnenie alebo bol odpojený, dvere sa nebudú pohybovať smerom nadol ani sa nebudú otáčať.

### ODSKÚŠAJTE MONITOR NAPNUTIA KÁBLOV

1. Keď sú dvere úplne zatvorené, zatlačte na prednú časť monitora napnutia káblov. Mali by ste počuť kliknutie. Ak nedošlo ku kliknutiu, valček možno dosiahol záves a nedovoľuje spínaču rozpoznať uvoľnenie kábla. Uistite sa, že je monitor napnutia káblov namontovaný v rovine so stenou a že valček nemá žiadne prekážky.

Poskytovaný rezistor 1k je určený len na riešenie problémov s nastavením CTM. V súlade s normou EN 12453 musí byť na správnu detekciu uvoľnenia káblov nainštalovaný monitor napnutia káblov

Ak bol váš monitor napnutia káblov aktivovaný, šípky smerujúce HORE a DOLE blikajú a naznačujú diagnostický kód 3 - 5.

## 15 Inštalácia LED diódy diaľkového ovládania MyQ (len pre suché oblasti)

LED dióda MyQ diaľkového ovládania je navrhnutá tak, aby bola priamo pripojená k štandardnej 230 V zásuvke. Zvoľte vhodné umiestnenie svetla na stropce alebo stene, aby ste ho mohli pripievať do vzdialenosti 1,83 m od elektrickej zásuvky tak, aby boli kábel a svetlo mimo pohyblivých častí. Inštalácia LED svetla MyQ diaľkového ovládania je potrebná na aktiváciu funkcie MyQ a časovača (TTC).

*Poznámka: Ak nie je možné inštalovať svetlo na sadrokartón a stropný nosník, použite poskytnuté sadrokartónové kotvy. Pre sadrokartónové kotvy nie je potrebný žiadny vodiaci otvor.*

1. Pri montáži do nosníka vyvrtajte otvory s rozmermi 15,6 cm  
ALEBO  
pri montáži do sadrokartónu zaskrutkujte kotvy vo vzájomnej vzdialenosti 15,6 cm.
2. Určte dĺžku napájacieho kábla potrebného na dosiahnutie najbližšej zásuvky. Naviňte prípadný prebytočný kábel okolo držíaka kábla na hornej strane základne svetla. Vedte kábel cez kanál tak, aby bolo svetlo upevnené v rovine.
3. Otvorte sklíčko svetla.
4. Namontujte svetlo pomocou dodaných skrutiek (9 + 10).
5. Zatvorte sklíčko svetla.
6. Pripojte svetlo do zásuvky.

*Poznámka: TLED kontrolka je veľmi jasná. NIKDY sa nepozerajte do svetla, keď stojíte na rebriku.*

Vaša LED kontrolka diaľkového ovládania otvárania garážových dverí bola už vopred naprogramovaná tak, aby fungovala s vaším zariadením. Akékoľvek dodatočné alebo náhradné diaľkové svetlá bude potrebné naprogramovať.

## 16 Elektrické pripojenie



Aby sa zabránilo zraneniu osôb a poškodeniu zariadenia, zariadenie na otváranie dverí by sa malo používať iba vtedy, ak je takýto pokyn výslovne uvedený v tomto návode. Sieťová zástrčka musí byť vždy prístupná, aby bolo možné odpojiť sieťové napájanie. Elektrické inštalácie smie vykonávať iba oprávnený elektrikár.

## 17 Inštalácia fotobuniek

### DÔLEŽITÉ INFORMÁCIE O INFRAČERVENÝCH FOTOBUNKÁCH

Pokyny na inštaláciu sú súčasťou dodávky infračervených fotobuniek a musia byť dodržané. **Fotobunky zabezpečujú, že ak sa v oblasti dverí nachádzajú ľudia, najmä malé deti, dvere budú alebo zostanú otvorené.** Pri správnom pripojení a vyrovnaní rozpozná snímač infračervenej fotobunky prekážku v dráhe svojho elektronického lúča. Vysielajúci snímač prenáša na prijímací snímač neviditeľný svetelný lúč. Ak prekážka preruší svetelný lúč pri zatváraní dverí, dvere sa zastavia a opäť sa vrátia do úplne otvorenej polohy a svetlá zariadenia zablíkajú desaťkrát.

Na použitie funkcií MyQ alebo TTC musia byť snímače inštalované v garáži tak, aby boli snímače odosielania a prijímania vzájomne na seba natočené cez dvere a umiestnené najviac 10 cm nad podlahou. Snímače sa môžu nainštalovať na ľavej alebo pravej strane dverí, pokiaľ slnko nikdy nesvieti priamo do prízoru prijímajúceho snímača. Trasa neviditeľného svetelného lúča musí byť voľná. Žiadna časť garážových dverí (dverové koľajnice, pružiny, závesy, valčeky alebo iné vybavenie) nesmie pri zatváraní dverí prerušiť lúč.

*Poznámka: Spoločnosť Liftmaster odporúča nainštalovať infračervené fotobunky na každom zariadení. Na použitie funkcie MyQ alebo TTC je potrebná inštalácia infračervenej fotobunky.*

### NAMONTUJTE INFRAČERVENÉ FOTOBUNKY

1. Zvedzte kábel z obidvoch senzorov do zariadenia na otváranie garážových dverí. Pripievajte kábel k stene a stropu so svorníkmi.
2. Odstřáňte 11 mm izolácie z každej súpravy drôtov. Oddel'te jednotlivé drôty. Zatočte biele drôty dohromady. Zatočte biele/čierne drôty dohromady.
3. Vložte biele drôty do bielej svorky na zariadení na otváranie garážových dverí. Vložte biele/čierne drôty do šedej svorky na zariadení na otváranie garážových dverí (4). Ak chcete vložiť drôty do svorky alebo ich z nej vybrať, zatlačte jazyček pomocou špičky skrutkovača (5).

### ZABEZPEČTE ZAROVNANIE FOTOBUNIEK

**Dvere sa nezavú, ak nie sú senzory správne nainštalované a zarovnané.**

Keď je počas zatvárania dverí svetelný lúč zablokovaný alebo nesprávne nastavený, dvere sa vrátia späť a svetlá zariadenia na otváranie garážových dverí desaťkrát zablíkajú. Ak už sú dvere otvorené, potom sa nezavú. Snímače môžu byť zarovnané uvoľnením kridlových matiek, zarovnaním snímačov a utiahnutím kridlových matiek.

1. Skontrolujte, či LED diódy v obidvoch snímačoch neprestajne svietia. Ak sú LED diódy v obidvoch snímačoch zarovnané a správne zapojené, budú neprešerene svietiť.

### ODSKÚŠAJTE INFRAČERVENÉ FOTOBUNKY

2. Otvorte dvere. Umiestnite prekážku do dráhy pohybu dverí.
3. Zatvorte dvere stlačením tlačidla diaľkového ovládania. Dvere sa nebudú pohybovať o viac ako 2,5 cm a svetlá zariadenia na otváranie garážových dverí desaťkrát zablíkajú.

Zariadenie na otváranie garážových dverí sa nedá zatvoriť z diaľkového ovládania, ak je LED dióda v ktorejkoľvek infračervenej fotobunke vypnutá (upozorňuje vás na to, že snímač je nesprávne zarovnaný alebo má prekážku). **Ak zariadenie na otváranie garážových dverí zatvorí dvere, keď má infračervená fotobunka prekážku (a snímače sú najviac 10 cm nad podlahou), zavolajte vyškoleného technika pre systémy dverí.**

## 18 Pripojte napájanie

Aby ste predišli ťažkostiam pri inštalácii, v tejto chvíli neotvárajte zariadenie na otváranie garážových dverí.

Aby sa znížilo riziko úrazu elektrickým prúdom, je zariadenie na otváranie garážových dverí vybavené uzemňovacím konektorom. Tento konektor zasuňte do uzemňovacej zásuvky. Ak konektor nezapadá do zásuvky, obráťte sa na oprávneného elektrikára, aby nainštaloval správnu zásuvku.

Existuje iba jedna možnosť pripojenia napájania:

### TYPICKÉ ZAPOJENIE

Zapojte zariadenie na otváranie garážových dverí do uzemnenej zásuvky.

## 19 Nainštalujte záložnú batériu (voliteľné príslušenstvo)



Na zníženie rizika POŽIARU alebo ZRANENIA osôb. Pred vykonaním akéhokoľvek servisu alebo údržby odpojte elektrické napájanie a napájanie batérie. Ako náhradnú batériu použite LEN batériu LiftMaster, diel 485EU. Batériu NELIKVIDUJTE do ohňa. Batéria môže explodovať. Pokyny na jej likvidáciu si vyhľadajte v miestnych predpisoch.

V režime záložnej batérie sa funkcia ovládania cez mobilný telefón MyQ a bezdrôtové zariadenia MyQ vypnú. V režime záložnej batérie sa po otvorení garážových dverí automaticky odomkne automatický zámok garážových dverí a zostane zablokovaný, až kým sa napájanie neobnoví.

1. Odpojte zariadenie na otváranie garážových dverí.
2. Pomocou skrutkovača odstráňte kryt batérie na zariadení na otváranie garážových dverí.
3. Čiastočne vložte batériu do priestoru pre batérie so svorkami smerujúcimi von.
4. Pripojte červené (+) a čierne (-) vodiče zo zariadenia na otváranie garážových dverí k príslušným svorkám na batérii.
5. Vráťte kryt batérie na miesto.
6. Zapojte zariadenie na otváranie garážových dverí.

### LED STAV BATÉRIE (B)

#### ZELENÁ LED KONTROLKA:

Všetky systémy sú v poriadku.

- Zelená LED dióda ukazuje, že je batéria úplne nabitá.
- Blikajúca zelená LED ukazuje, že sa batéria nabíja.

#### ORANŽOVÁ LED KONTROLKA:

Zariadenie na otváranie garážových dverí stráca energiu a je v režime záložnej batérie.

- Stále oranžová LED kontrolka so zvukovým signálom, ktorý zaznie približne každé 2 sekundy, naznačuje, že zariadenie na otváranie garážových dverí je napájané z batérie.
- Blikajúca oranžová LED kontrolka so zvukovým signálom, ktorý zaznie približne každých 30 sekúnd naznačuje, že batéria je takmer vybitá.

#### ČERVENÁ LED KONTROLKA:

12 V batériu zariadenia na otváranie garážových dverí je potrebné vymeniť.

- Stále červená LED kontrolka so zvukovým signálom, ktorý zaznie približne každých 30 sekúnd, naznačuje, že batéria 12 V sa už nedá nabíjať a musí byť vymenená. Ak si v takom prípade prajete zachovať funkciu záložnej batérie, vymeňte záložnú batériu.

*Poznámka: Aby batéria mohla ovládať zariadenie na otváranie garážových dverí, nemusí byť úplne nabitá.*

## 20 Naprogramujte posun



Nesprávne nastavenie obmedzenia posunu garážových dverí naruší správnu činnosť systému bezpečného vrátenia dverí do pôvodnej polohy. Po vykonaní akýchkoľvek úprav **MUSÍ byť** tento systém odskúšaný. Dvere sa po kontakte s objektom o veľkosti 40 mm na podlahe **MUSIA** vrátiť do pôvodnej polohy. Aby ste predišli poškodeniu vozidiel, uistite sa, že úplne otvorené dvere poskytujú dostatočnú voľnosť.

Obmedzenia posunu regulujú body, pri ktorých sa dvere zastavia pri pohybe nahor alebo nadol. Počas programovania môžete používať na posun dverí tlačidlá HORE a DOLE podľa potreby.

1. Stlačte a podržte tlačidlo nastavenia (A), kým nezačne tlačidlo HORE (U) pípať a/alebo blikať.
2. Stlačte a podržte tlačidlo HORE (U), až kým sa dvere nedostanú do požadovanej hornej polohy.
3. Keď sú dvere v požadovanej hornej polohe, stlačte a uvoľnite tlačidlo nastavenia (A). Kontrolky otvárania garážových dverí dvakrát zablikajú a tlačidlo DOLE (D) začne blikať.
4. Stlačte a podržte tlačidlo DOLE (D), až kým sa dvere nedostanú do požadovanej spodnej polohy.
5. Keď sú dvere v požadovanej SPODNEJ polohe, stlačte a uvoľnite tlačidlo nastavenia (A). Kontrolky otvárania garážových dverí dvakrát zablikajú a tlačidlo HORE (U) začne blikať.
6. Stlačte a uvoľnite tlačidlo HORE (U). Keď sa dvere dostanú do naprogramovanej hornej polohy, tlačidlo DOLE (D) začne blikať.
7. Stlačte a pusťte tlačidlo DOLE (D). Dvere sa dostanú do naprogramovanej SPODNEJ polohy. Programovanie je ukončené.

Ak počas krokov programovania posunu kontrolky zariadenia na otváranie garážových dverí zablikajú päťkrát, doba programovania vypršala. Ak monitor napnutia káblov nie je nainštalovaný alebo zistil veľké uvoľnenie káblov, kontrolka otvárania garážových dverí päťkrát zabliká. Uistite sa, že je monitor napnutia káblov správne nainštalovaný, a potom postupujte podľa krokov pre Programovanie posunu dverí. Ak ukazovatele zariadenia na otváranie garážových dverí zablikajú počas krokov programovania posunu desaťkrát, infračervené fotobunky sú nesprávne zarovnané alebo sú zablokované. Keď sú snímače zarovnané a voľné, vykonajte celý cyklus posunu dverí nahor a nadol pomocou diaľkového ovládača alebo tlačidiel HORE a DOLE. Programovanie je ukončené. Ak nie je možné ovládať dvere nahor a nadol, zopakujte kroky pre programovanie posunu dverí.

## 21 Otestujte systém bezpečnostného návratu dverí do pôvodnej polohy



Bez správne nainštalovaného systému bezpečnostného návratu dverí do pôvodnej polohy by mohli byť osoby (najmä malé deti) vážne zranené alebo usmrtené zatvárajúcimi sa garážovými dverami. Systém bezpečnostného návratu dverí do pôvodnej polohy **MUSÍ byť** testovaný každý mesiac. Po vykonaní akýchkoľvek úprav **MUSÍ byť** tento systém odskúšaný. Dvere sa **MUSIA** pri kontakte so 40 mm vysokým predmetom na podlahe vrátiť do pôvodnej polohy

### SKÚŠKA

1. Keď sú dvere úplne otvorené, umiestnite na podlahu 40 mm dosku so stredom pod garážovými dverami.
2. Zatvorte dvere stlačením tlačidla diaľkového ovládania. Keď sa dvere dotknú dosky, **MUSIA** sa znova vrátiť do pôvodnej polohy.

### NASTAVENIE

Ak sa dvere zastavia, ale nevrátia sa naspäť:

1. prečítajte si pokyny na inštaláciu, aby ste sa uistili, že všetky kroky boli dodržané,
2. zopakujte Programovanie posunu dverí (pozri Bod 20 kriku nastavenia č. 1),
3. zopakujte skúšku bezpečnostného návratu dverí do pôvodnej polohy.

Ak sa skúška stále nepodarila, zavolajte technikov vyškolených na systémy dverí.

### DÔLEŽITÁ BEZPEČNOSTNÁ KONTROLA:

Systém bezpečnostného návratu dverí do pôvodnej polohy odskúšajte po:

- každej úprave obmedzení posunu,
- akejkoľvek oprave alebo nastavení dverí (vrátane pružín a vybavenia),
- akejkoľvek oprave alebo pokrivení podlahy,
- akejkoľvek oprave alebo nastavení zariadenia na otváranie garážových dverí.

## 22 Ručné otvorenie dverí



Ak je to možné, použite rukoväť núdzového uvoľnenia na uvoľnenie dverí LEN vtedy, keď sú garážové dvere ZATVORENÉ. Slabé alebo zlomené pružiny alebo nevyvážené dvere môžu viesť k rýchlemu a/alebo neočakávanému poklesu otvorených dverí. NIKDY nepoužívajte rukoväť núdzového uvoľnenia, pokiaľ sa v garážovom priechode nachádzajú nejaké osoby a prekážky.

Predtým, ako budete pokračovať, odpojte všetky zámky dverí. Dvere by mali byť úplne zatvorené, ak je to možné. Potiahnite rukoväť núdzového uvoľnenia smerom dole, až kým zo zariadenia na otváranie dverí nezaznie kliknutie, a ručne zdvihnite dvere. Na opätovné pripojenie dverí k zariadeniu na otváranie dverí potiahnite rukoväť núdzového uvoľnenia priamo dole po druhýkrát, až kým zo zariadenia na otváranie dverí nezaznie kliknutie. Dvere sa znova pripoja pri nasledujúcom posune HORE alebo DOLE.

### ODSKÚŠAJTE NÚDZOVÉ UVOĽNENIE

1. Uistite sa, že sú dvere zatvorené.
2. Vytiahnite rukoväť núdzového uvoľnenia. Dvere by sa mali dať otvoriť manuálne.
3. Dvere vráťte do zatvorenej polohy.
4. Vytiahnite núdzovú rukoväť po druhýkrát.
5. Znovu pripojte dvere k zariadeniu na otváranie dverí.

## 23 Používanie zariadenia na otváranie garážových dverí

### VLASTNOSTI

Zariadenie na otváranie garážových dverí je vybavené funkciami, ktoré vám poskytujú väčšiu kontrolu nad fungovaním garážových dverí.

### UPOZORNENIE NA ZATVORENIE

Funkcia Upozornenia na zatvorenie vizuálne upozorní, že sa zatvárajú dvere bez obsluhy.

### ČASOVAČ DO ZATVORENIA (TTC)

Funkcia TTC automaticky zatvára dvere po určenom časovom intervale, ktorý je možné nastaviť pomocou ovládania dverí s funkciou TTC (potrebne sú modely fotobuniek 771EV/772E/771EVKG770E). Pred a počas zatvárania dverí zablíkajú svetlá zariadenia na otváranie garážových dverí.

### AKTIVÁCIA FUNKCIE TTC:

1. Stlačte a uvoľnite žlté programovacie tlačidlo (L) štyrikrát.
2. Žltá LED dióda sa zapne
3. Prechádzajte cez prírastky VYP/1/5/10 minút pomocou šípok HORE (U) a DOLE (D). Po výbere bude blikať žltá programovacia LED dióda.

Napríklad,

ak si zvolíte dobu 5 minút, žltá programovacia LED dióda zablíká päťkrát pre potvrdenie.

4. Stlačením pravouhlého nastavovacieho tlačidla (A) uložte nastavenie a opusťte režim programovania TTC. Keď aktivácia dokončila MyQ LED kontrolka diaľkového ovládania raz zablíkajú ako potvrdenie. Pri programovaní funkcie TTC je potrebné do 30 sekúnd stlačiť nasledujúce tlačidlo, inak sa aktivácia TTC ukončí. Ak vyprší platnosť programovacieho časovača, TTC udrží predchádzajúce nastavenia a LED kontrolka diaľkového ovládania MyQ päťkrát zablíkajú.

Ak chcete opustiť nedokončený programovací režim TTC, stlačte a uvoľnite programovacie tlačidlo (L) ešte raz.

### ZMENA ČASOVANIA TTC:

1. Stlačte programovacie tlačidlo (L) štyrikrát.
2. Prechádzajte cez prírastky VYP/1/5/10 minút pomocou šípok HORE (U) a DOLE (D). Po výbere bude blikať žltá programovacia LED dióda.
3. Stlačením pravouhlého nastavovacieho tlačidla (A) uložte nastavenie a opusťte režim programovania TTC.  
Po dokončení aktivácie LED kontrolka diaľkového ovládania MyQ raz zablíkajú pre potvrdenie.

### DEAKTIVÁCIA FUNKCIE TTC:

1. Stlačte žlté programovacie tlačidlo (L) štyrikrát.
2. Jedným stlačením tlačidla nastavenia uložte nastavenie.
3. Po ukončení deaktivácie LED kontrolka diaľkového ovládania MyQ raz zablíkajú ako potvrdenie.

Ak je funkcia TTC aktívna, časovač začne odpočítavať a infračervené lúče sa prerušia, potom sa časovač TTC reštartuje

## MyQ

Systém MyQ umožňuje ovládať vaše zariadenie na otváranie garážových dverí z vášho mobilného zariadenia alebo počítača odkiaľkoľvek. Technológia MyQ využíva rádiový signál na zabezpečenie dvojsmernej komunikácie medzi zariadením na otváranie garážových dverí a príslušenstvom s funkciou MyQ. Zariadenie na otváranie garážových dverí má vnútornú bránu, ktorá umožňuje priamu komunikáciu zariadenia na otváranie garážových dverí s domácou sieťou Wi-Fi® a prístup k vášmu účtu MyQ

## INFRAČERVENÉ FOTOBUNKY

Pri správnom pripojení a vyrovnaní zistia infračervené fotobunky prekážku v dráhe infračerveného lúča. Ak pri zatvorení dverí dôjde k prerušeniu infračerveného lúča, dvere sa zastavia a vrátia sa do úplne otvorenej polohy a svetlá zariadenia na otváranie zablíkajú desaťkrát. Ak sú dvere úplne otvorené, keď sú infračervené fotobunky nainštalované a nesprávne zarovnané, dvere sa nedajú zatvoriť z diaľkového ovládania. Dvere však môžete zatvoriť, ak podržíte tlačidlo na ovládaní dverí alebo na vstupe bez kľúča, až kým sa dvere úplne nezatvoria. Infračervené fotobunky neovplyvňujú cyklus otvárania.

## ÚSPORA ENERGIE

Na zaistenie energetickej účinnosti sa zariadenie na otváranie garážových dverí dostane do režimu spánku, keď sú dvere úplne zatvorené. Režim spánku vypne zariadenie na otváranie garážových dverí, kým znova neďôjde k jeho aktivácii. Režim spánku je zaradený v sekvencii so svetlom zariadenia na otváranie garážových dverí. Keď svetielko zhasne, LED diódy snímača sa vypnú a ak sa rozsvietia kontrolky zariadenia na otváranie garážových dverí, LED diódy snímača sa rozsvetia. Zariadenie na otváranie garážových dverí neprejde do režimu spánku, kým zariadenie na otváranie garážových dverí po zapnutí neukončí 5 cyklov.

## SVETLÁ

Keď sa zariadenie na otváranie zapne po prvýkrát, rozsvietia sa kontrolka zariadenia na otváranie garážových dverí. Napájanie sa obnoví po prerušení alebo pri aktivácii zariadenia na otváranie garážových dverí. Po 4 a pol minúte sa kontrolka automaticky vypne

## SVETELNÁ FUNKCIA

Zariadenie na otváranie garážových dverí je vybavené doplnkovým prvkom – svetlá sa rozsvetia, keď ktokolvek vstúpi cez otvorené dvere garáže a infračervený lúč sa naruší. Aby mohla fungovať táto funkcia, musia byť nainštalované infračervené fotobunky 771EV/772E/771EVK/G770E.

## ZÁLOŽNÁ BATÉRIA (VOLITELNÉ)

Systém záložnej batérie umožňuje prístup do vašej garáže a odchod z nej, aj keď je napájanie vypnuté. Ak zariadenie na otváranie garážových dverí funguje na napájanie z batérie, potom sa bude posúvať pomalšie, svetlo nebude fungovať, LED diódy stavu batérie budú svietiť na oranžovo a pípanie zaznie približne každé 2 sekundy.

## POUŽÍVANIE ZARIADENIA NA OTVÁRANIE GARÁŽOVÝCH DVERÍ

Zariadenie na otváranie garážových dverí je možné aktivovať prostredníctvom nástenného ovládania dverí, diaľkového ovládania, bezdrôtového vstupu bez kľúča alebo doplnku MyQ. Pri ovládaní zariadenia na otváranie dverí pomocou rádiového ovládania alebo stenového spínača sa:

- zatvorí dvere, keď sú úplne otvorené
- otvoria dvere, keď sú úplne zatvorené
- zastavia dvere, ak sa otvárajú alebo zatvárajú
- dvere sa pohybujú opačným smerom od posledného dokončeného pohybu, ak sú čiastočne otvorené.

Ak dvere nasnímajú prekážku alebo boli pri otváraní prerušené, zastavia sa. Ak zariadenie na otváranie garážových dverí v priebehu zatvárania zaistí prekážku, dvere sa vrátia do pôvodnej polohy. Ak prekážka preruší lúč snímača, kontrolky zariadenia na otváranie garážových dverí zablíkajú desaťkrát. Dvere však môžete zatvoriť, ak podržíte tlačidlo na ovládaní dverí alebo na vstupe bez kľúča, až kým sa dvere úplne nezatvoria. Infračervené fotobunky neovplyvňujú cyklus otvárania.

## CYKlickÉ POČítADLO. POSTUP AKTÍVÁCIE A ODCÍTANIA:

1. Ak si prajete vstúpiť do tohto režimu, odpojte napájanie z RJO.
  2. Stlačte tlačidlá nastavenia (A) a programovania (L) a podržte ich spolu pri obnovení napájania.
  3. LED dióda tlačidla obsluhy so šipkou HORE (U) zablíkajú RAZ každých tisíc ÚPLNÝCH cyklov, kým sa nestlačia a nepodržia tlačidlá nastavenia (A) a programovania (L).
- Napríklad, ak RJO vykonalo 8 756 cyklov, LED dióda tlačidla HORE zablíkajú osemkrát.

Ac chcete zopakovať načítanie, odpojte RJO od napájania a začnite znova.

**Svetelný vysielateľ (s 78EV):** Umožňuje zadať vysielateľ do diaľkového ovládania MyQ cez multifunkčné ovládanie na stene.

Naprogramujte vysielateľ na LED kontrolke diaľkového ovládania MyQ nasledovne:

1. Stlačte a spolu podržte tlačidlá SVETLÁ a ZÁMOK.
2. Pri držaní oboch tlačidiel stlačte a podržte jedno z tlačidiel vysielateľa, kým pracovné svetlo RJO raz nezablíkajú.
3. Potom, ako pracovné svetlo zariadenia raz zablíkajú, uvoľnite všetky tlačidlá.

**Režim dovolenky (vyžaduje ovládanie na stene 78EV).** Keď je táto funkcia aktivovaná, prenosné diaľkové ovládače nefungujú. Pozrite si pokyny pre 78EV.

**Vstup bez kľúča** (vyžaduje bezdrôtovú klávesnicu 747EV): Na ovládanie dverí zadajte 4-miestny kód podľa vlastného výberu.



**Dočasný prístup** (vyžaduje bezdrôtovú klávesnicu 747EV): Dočasný kód môže byť naprogramovaný tak, aby umožnil obmedzený prístup do garáže (podľa času alebo počtu otvorení).

**Funkcia zavretia jedným tlačidlom** (vyžaduje bezdrôtovú klávesnicu 747EV): Dvere môžu byť zatvorené z akejkoľvek pozície (nie otvorené) bez prístupového kódu.

## 24 Pripojte sa so smartfónom

Wi-Fi@zariadenie na otváranie garážových dverí je kompatibilné až so 16 príslušenstvami s funkciou MyQ. Až 10 zariadení možno spárovať s vnútornou bránou Wi-Fi zariadenia na otváranie garážových dverí. Tieto zariadenia je možné ovládať pomocou aplikácie MyQ. Tieto zariadenia obsahujú akúkoľvek kombináciu zariadení na otváranie garážových dverí MyQ, zariadení na otváranie garážových dverí Wi-Fi a obsluhy svetla MyQ a brány MyQ. Internetová brána LiftMaster (828EV) sa môže pridať, ak potrebujete ovládať viac ako 10 zariadení pomocou aplikácie MyQ. So samotným zariadením na otváranie garážových dverí je možné spárovať až 6 zariadení (ovládaných zariadením na otváranie garážových dverí). Tieto zariadenia zahŕňajú ľubovoľnú kombináciu obsluhy svetla MyQ alebo garážových dverí a monitora brány.

### Budete potrebovať:

- smartfón, tablet alebo prenosný počítač s funkciou Wi-Fi,
- širokópásmové pripojenie k internetu,
- Wi-Fi signál v garáži (2,4 Ghz, vyžaduje sa 802,11b/g/n),
- heslo pre domácu sieť (hlavný účet smerovača, nie hostovská sieť),
- sériové číslo MyQ umiestnené na zariadení na otváranie garážových dverí,
- infračervené fotobunky (voliteľné),
- LED kontrolka diaľkového ovládania MyQ (spadá do rozsahu dodávky).

### SYNCHRONIZUJTE OVLÁDANIE DVERÍ

Ak chcete synchronizovať ovládanie dverí 78EV so zariadením na otváranie garážových dverí, stláčajte tlačidlo, kým sa nezapne zariadenie na otváranie garážových dverí (môže to trvať až 3 stlačenia). Zariadenie na otváranie garážových dverí musí najprv prejsť celý cyklus, až potom sa aktivuje programovanie Wi-Fi.

### PRIPOJTE ZARIADENIE NA OTVÁRANIE GARÁŽOVÝCH DVERÍ K SVOJEJ DOMÁCEJ WI-FI SIETI

1. Trikrát stlačte a uvoľnite žlté tlačidlo programovania (L) na zariadení na otváranie garážových dverí. Zariadenie na otváranie garážových dverí raz zapípa. Na dokončenie procesu pripojenia máte 20 minút.
2. Vo svojom mobilnom zariadení prejdite na položku Nastavenia>Wi-Fi a vyberte sieť s predponou „MyQ“.
3. Spustíte webový prehliadač na svojom smartfóne alebo tablete. Do panela s adresou prehliadača zadajte adresu setup.myqdevice.com. Postupujte podľa pokynov na obrazovke a pripojte zariadenie na otváranie garážových dverí k sieti Wi-Fi. Na obrazovke sa zobrazí sériové číslo MyQ. Napište sériové číslo do nižšie uvedeného miesta.

4. Stiahnite si aplikáciu MyQ z obchodu App Store@alebo Google Play™. Zaregistrujte si účet MyQ a pridajte sériové číslo služby MyQ do svojho účtu.

Ak chcete pridať druhé zariadenie na otváranie garážových dverí Wi-Fi, opakujte kroky 1 až 3. Pridajte do svojho účtu v aplikácii MyQ druhé sériové číslo MyQ.

*Poznámka:* S: Ovládanie MyQ cez smartfón NEBUDE fungovať, ak je zariadenie na otváranie garážových dverí napájané z batérie. Ak chcete vymazať nastavenia Wi-Fi, pozrite si stranu 15.

LED dióda (A) na zariadení na otváranie garážových dverí indikuje stav Wi-Fi. Pozrite nižšie uvedenú tabuľku

LED	DEFINÍCIA
MODRÁ	Vyp. - Wi-Fi nie je zapnuté. Bliká - zariadenie na otváranie garážových dverí je v režime programovania Wi-Fi. Stále svetlo - mobilné zariadenie je pripojené k zariadeniu na otváranie garážových dverí.
MODRÁ A ZELENÁ	Bliká - pokúšate sa pripojiť k smerovaču.
ZELENÁ	Bliká - pokúšate sa pripojiť na internetový server. Stále svetlo - Wi-Fi bolo nastavené a zariadenie na otváranie garážových dverí je pripojené k internetu.

## **25** Naprogramujte si svoje zariadenie na otváranie a diaľkový ovládač/Bezdrôtové tlačidlo/Bezdrôtovú klávesnicu (voliteľné)

Aktivujte zariadenie na otváranie dverí iba vtedy, keď sú dvere v plnom výhľade, bez prekážok a správne nastavené. Keď sú dvere v pohybe, nikto by nemal vstupovať do garáže ani ju opustiť. Nedovoľte, aby deti ovládali tlačidlá ani diaľkové ovládanie. Nedovoľte, aby sa deti hrali v blízkosti dverí. Váš prijímač zariadenia na otváranie garážových dverí a jedno diaľkové ovládanie tlačidiel boli vopred naprogramované. Ak si zakúpите ďalšie diaľkové ovládacie prvky, zariadenie na otváranie garážových dverí musí byť naprogramované tak, aby prijalo nový diaľkový kód.

**NAPROGRAMUJTE SI PRIJÍMAČ TAK, ABY FUNGOVAL S DOPLNKOVÝMI DIALĽKOVÝMI OVLÁDAČMI: POMOCOU ŽLTÉHO KRUHOVÉHO TLAČIDLA**

1. Stlačte a uvoľnite žlté kruhové tlačidlo (L) na zariadení. Kontrolka programovania bude trvale svietiť po dobu 30 sekúnd.
2. Do 30 sekúnd stlačte a podržte tlačidlo na ručnom diaľkovom ovládaní, ktoré má ovládať vaše garážové dvere.
3. Keď kontrolka zariadenia raz zabliká, uvoľnite tlačidlo. Systém si uloží tento kód. Teraz sa po stlačení tlačidla diaľkového ovládača otvorí zariadenie. Ak uvoľníte tlačidlo diaľkového ovládača predtým, než kontrolka zariadenia začne blikať, zariadenie si kód neuloží.

### **VSTUP BEZ KLÚČA**

1. Stlačte a uvoľnite žlté kruhové tlačidlo (L) na zariadení na otváranie. Kontrolka programovania bude trvale svietiť po dobu 30 sekúnd.
2. Na klávesnici pre vstup bez kľúča zadajte štvormiestne osobné identifikačné číslo (PIN) podľa vlastného výberu.
3. Následne stlačte tlačidlo ENTER.
4. Keď bol kód naprogramovaný, kontrolky zariadenia na otváranie garážových dverí zablikajú (alebo zaznejú dve kliknutia). Ak si prajete naprogramovať ďalšie diaľkové ovládania alebo zariadenia pre vstup bez kľúča, zopakujte vyššie uvedené kroky. Ak programovanie nie je úspešné, naprogramujte diaľkový ovládač pomocou programovacieho tlačidla.

### **ZRUŠIŤ VŠETKY KÓDY DIALĽKOVÉHO OVLÁDANIA**

Ak chcete deaktivovať akékoľvek nechcené diaľkové ovládanie, najprv vymažte všetky kódy: Stlačte a podržte žlté kruhové tlačidlo na zariadení na otváranie, kým nezhasne kontrolka programovania (približne 10 sekúnd). Všetky predchádzajúce kódy sú teraz vymazané. Preprogramujte každé diaľkové ovládanie alebo vstup bez kľúča, ktorý si prajete použiť.

## **26** Naprogramujte LED kontrolku diaľkového ovládania MyQ

Vaša LED kontrolka diaľkového ovládania otvárania garážových dverí bola už vopred naprogramovaná tak, aby fungovala s vaším zariadením. Akékoľvek dodatočné alebo náhradné diaľkové svetlá bude potrebné naprogramovať.

**NAPROGRAMUJTE ZARIADENIE NA OTVÁRANIE DVERÍ NA LED KONTROLKU DIALĽKOVÉHO OVLÁDANIA DVERÍ:**

1. Stlačte tlačidlo programovania LEARN (L) na svetle, kým nezasvieti zelená LED kontrolka.
2. Stlačte tlačidlo programovania LEARN (L) na zariadení na otváranie dverí.
3. Kód bol naprogramovaný, keď raz blikne kontrolka diaľkového ovládania.

**NAPROGRAMUJTE DIALĽKOVÉ OVLÁDANIE NA LED KONTROLKU DIALĽKOVÉHO OVLÁDANIA DVERÍ**

1. Stlačte tlačidlo programovania LEARN (L) na svetle, kým nezasvieti zelená LED kontrolka.
2. Stlačte tlačidlo na diaľkovom ovládači, s ktorým si prajete ovládať svetlo.
3. Kód bol naprogramovaný, keď raz blikne kontrolka diaľkového ovládania.

Programovanie kontrolky s iným príslušenstvom nájdete v príručke daného príslušenstva.

**PRIĎAJTE LED KONTROLKU DIALĽKOVÉHO OVLÁDANIA MYQ NA MYQ ÚČET**

1. Stlačte tlačidlo programovania LEARN (L) na svetle, kým nezasvieti zelená LED kontrolka.
2. Prihláste sa do aplikácie MyQ a pridajte LED kontrolku diaľkového ovládania MyQ.

**ZRUŠTE PROGRAMOVANIE Z LED KONTROLKY DIALĽKOVÉHO OVLÁDANIA MYQ**

1. Stlačte a podržte tlačidlo LEARN (L), kým sa LED kontrolka nevypne (6 - 10 sekúnd). Akékoľvek programovanie je teraz vymazané.

## 27 Vymazanie pamäte

### ZRUŠTE VŠETKY DIALKOVÉ OVLÁDANIA A VSTUPY BEZ KLÚČA

1. Stlačte a podržte programovacie tlačidlo LEARN (L) na zariadení na otváranie garážových dverí, kým LED kontrolka nezhasne (približne 6 sekúnd). Všetky kódy diaľkových ovládaní a vstupov bez klúča sú teraz vymazané. Prepište akékoľvek príslušenstvo, ktoré chcete použiť.

### VYMAŽTE VŠETKY ZARIADENIA (VRÁTANE PRÍSLUŠENSTVA S FUNKCIOU MYQ)

2. Stlačte a podržte programovacie tlačidlo LEARN (L) na zariadení na otváranie garážových dverí, kým LED kontrolka nezhasne (približne 6 sekúnd).
3. Okamžite znova stlačte a podržte programovacie tlačidlo, až kým LED kontrolka nezhasne. Všetky kódy sú teraz vymazané. Prepište akékoľvek príslušenstvo, ktoré chcete použiť.

### VYMAŽTE SIETE WI-FI ZO ZARIADENIA NA OTVÁRANIE GARÁŽOVÝCH DVERÍ

Stlačte a podržte čierne nastavovacie tlačidlo (A) na zariadení na otváranie garážových dverí, až kým nezaznejú 3 pípnutia (približne 6 sekúnd).

### VYMAŽTE SI SVOJ MYQ ÚČET

Ak si prajete odstrániť svoj účet MyQ, prejdite na adresu [myliftmaster.eu](http://myliftmaster.eu).

## 28 Starostlivosť o zariadenie na otváranie garážových dverí

### PLÁN ÚDRŽBY KAŽDÝ MESIAC

- Ručne ovládajte dvere. Ak sú dvere nevyvážené alebo zaseknuté, zavolajte technikov vyškolených na systémy dverí.
- Skontrolujte, či sa dvere úplne otvárajú a zatvárajú. Ak je to potrebné, upravte dorazy (pozrite si bod 20 „Programovať posun dverí“).
- Zopakujte skúšku bezpečnostného návratu dverí do pôvodnej polohy. Urobte potrebné nastavenia (pozrite si bod 21 „Skúšanie systému bezpečnostného návratu dverí do pôvodnej polohy“).

### KAŽDÝ ROK

- Naolejujte dverné valčeky, ložiská a závesy. Zariadenie na otváranie garážových dverí nevyžaduje dodatočné mazanie. Nemažte kofajnice dverí.

### LED KONTROLKA DIALKOVÉHO OVLÁDANIA MYQ

- Pred čistením odpojte svetlo.
- Na čistenie používajte mierne navlhčenú handričku.
- Na sklička svetiel nepoužívajte kvapalné čistiace prostriedky

## 29 Vymeňte batérie v diaľkovom ovládači

### Batéria v diaľkovom ovládači:

Batérie v diaľkovom ovládači majú mimoriadne dlhú životnosť. Ak sa ich prenosový rozsah skráti, batérie je potrebné vymeniť. Batérie nie sú kryté zárukou.

### Pri výmene batérií dodržujte nasledujúce pokyny:

Batérie by sa nemali považovať za komunálny odpad. Všetci spotrebiteľia sú podľa zákona povinní správne likvidovať batérie v určených zberných miestach. Nikdy nenabíjajte batérie, ktoré nie sú určené na opakované nabíjanie.

### Nebezpečenstvo výbuchu!

Batérie držte mimo dosahu detí, neskratujte ich ani ich nerozoberajte. Po prehltnutí elektrolytu batérie okamžite vyhľadajte lekársku pomoc. Ak je to nevyhnutné, vyčistite kontakty na batériách a zariadeniach pred ich zaťažením. Vybíť batériu ihneď odstráňte zo zariadenia!

### Zvýšené riziko úniku!

Nikdy nevystavujte batérie nadmernému teplu, napríklad slnečnému žiareniu, ohňu alebo podobne!

Existuje zvýšené riziko vzniku úniku!

Zabráňte kontaktu s pokožkou, očami a sliznicami. Časti, ktoré sa dostali do kontaktu s kyselinou z akumulátora, opláchnite veľkým množstvom studenej vody a okamžite vyhľadajte

lekársku pomoc. Používajte iba batérie rovnakého typu. Ak sa zariadenie dlhší čas nepoužíva, vyberte z neho batérie.

### Výmena batérie:

Ak chcete vymeniť batériu, otočte diaľkový ovládač a skrutkovačom otvorte skrinku. Nadvihnite kryt a ovládací panel. Posuňte batériu do strany a vyberte ju. Dbajte na polaritu batérie! Montáž vykonávajte v opačnom poradí.

### POZOR!

V prípade nesprávnej výmeny batérie hrozí nebezpečenstvo výbuchu. Vymieňajte iba za identický alebo rovnocenný typ (CR2032) 3 V.

## 30 Likvidácia

Obaly sa musia likvidovať v miestnych recyklovateľných nádobách. Podľa smernice Európskeho parlamentu a Rady 2002/96/ES o odpade z elektrických a elektronických zariadení musí byť toto zariadenie riadne zlikvidované po použití, aby sa zabezpečila recyklácia použitých materiálov



Staré akumulátory a batérie sa nesmú likvidovať v komunálnych odpadoch, pretože obsahujú znečisťujúce látky, a musia sa riadne likvidovať v miestnych zberných miestach alebo v zásobníkoch predajcu. Dodržiavajte predpisy platné vo vašej krajine. Jednotlivé komponenty musia byť riadne likvidované vo verejnej spoločnosti, ktorá sa špecializuje na likvidáciu odpadu. Dodržiavajte príslušné miestne a štátne predpisy. Jednotlivé komponenty pohonu, ktoré sú vyradené z prevádzky, sa nesmú vyhadzovať spolu s domovým odpadom.

O možnostiach tejto likvidácie vás bude informovať príslušný orgán (mesto) alebo jeho spoločnosť určená na zneškodňovanie odpadu.

## 31 Diagnostická tabuľka

Zariadenie na otváranie garážových dverí je naprogramované s vlastnými diagnostickými funkciami.

Diagnostické kódy blikajú na šípkach HORE a DOLE na zariadení na otváranie garážových dverí.

DIAGNOSTICKÝ KÓD	PRÍZNAK	RIEŠENIE
Šípka hore Blikanie(-ia)	Šípka dole Blikanie(-ia)	
1	1	Zariadenie na otváranie garážových dverí sa nezatvorí a kontrolka bliká. Ak sú nainštalované infračervené fotobunky, potom nie sú pripojené alebo môžu byť rozrezané káble. Skontrolujte vodiče snímača, či nie sú odpojené alebo porezané.
1	2	Zariadenie na otváranie garážových dverí sa nezatvorí a kontrolka bliká. Infračervené fotobunky majú vyskratovaný vodič alebo vodič s obrátenou fázou. Skontrolujte kábel fotobuniiek na všetkých miestach upevnenia a pripojenia a podľa potreby kábel vymeňte alebo opravte.
1	3	Ovládanie dverí nefunguje. Drôty pre ovládanie dverí sú skratované alebo je ovládanie dverí chybné. Skontrolujte vodiče ovládania dverí na všetkých miestach upevnenia a pripojenia a podľa potreby ich vymeňte alebo opravte.
1	4	Zariadenie na otváranie garážových dverí sa nezatvorí a kontrolka bliká. Ak sú nainštalované infračervené fotobunky, nie sú zarovnané alebo sú momentálne zablokované. Opakovane nastavte obidva snímače, aby ste zabezpečili, že obe LED kontrolky svietia neprerušovane a neblikajú. Uistite sa, že na dverách nič nevisí ani na nich nič nie je nainštalované, čo by mohlo pri zatváraní prerušiť trasu snímačov.
1	5	Dvere sa posunú o 15 20 cm a zastavia alebo sa vrátia do pôvodnej polohy. Ručne otvorte a zatvorte dvere. Skontrolujte, či sa nevyskytujú žiadne zovretia alebo prekážky, ako napr. poškodená pružina alebo zámok dverí, a podľa potreby to napravte. Skontrolujte pripojenia káblov na module posunu a na logickej doske. V prípade potreby vymeňte modul posunu.
1	5	Žiadny pohyb, iba jedno kliknutie. Ručne otvorte a zatvorte dvere. Skontrolujte, či sa nevyskytujú žiadne zovretia alebo prekážky, ako napr. poškodená pružina alebo zámok dverí, a podľa potreby to napravte. V prípade potreby vymeňte logickú dosku.
1	5	Zariadenie na otváranie bzučí po dobu 1 až 2 sekúnd bez pohybu Ručne otvorte a zatvorte dvere. Skontrolujte, či sa nevyskytujú žiadne zovretia alebo prekážky, ako napr. poškodená pružina alebo zámok dverí, a podľa potreby to napravte. V prípade potreby vymeňte motor.
1	6	Dvere sa stále hýbu po tom, čo dosiahli úplné zastavenie. Naprogramujte posun v polohe kľudu alebo nechajte dvere vyvážiť vyskoleným technikom.
2	1-5	Žiadny pohyb ani zvuk. Vymeňte logickú dosku.
3	1	Zariadenie na otváranie garážových dverí sa mierne posunie a potom sa zastaví. Opätovne aktivujte zariadenie na otváranie garážových dverí. Ak problém pretrváva, vymeňte logickú dosku.
3	3	Ukazovateľ stavu batérie neustále bliká nazeleno. Chyba nabíjacieho obvodu záložnej batérie, vymeňte logickú dosku.
3	5	Zariadenie na otváranie garážových dverí sa nezatvorí alebo dvere sa počas posunu vracajú do pôvodnej polohy. Ak boli predtým inštalované dva monitory napnutia káblov a jeden bol odstránený, trikrát odpojte a zapojte zariadenie na otváranie, aby sa monitor napojil na zariadenie na otváranie. • Vyhľadajte prípadné prekážky v dverách a odstráňte ich. • Skontrolujte, či je monitor napnutia káblov správne pripojený k zariadeniu na otváranie. • Vymeňte monitor napnutia káblov.

DIAGNOSTICKÝ KÓD	PRÍZNAK	RIEŠENIE
Šípka hore Blikanie(-ia)	Šípka dole Blikanie(-ia)	
4	1-4	Dvere sa pohybujú, zastavia a vráti sa do pôvodnej polohy.
4	5	Zariadenie sa posunie približne o 15 – 20 cm, zastaví sa a vráti sa do pôvodnej polohy.
4	6	Zariadenie na otváranie garážových dverí sa nezatvorí a kontrolka bliká.
5	5	Pri použití funkcie časovača alebo ovládania pomocou mobilného telefónu MyQ sa dvere nezatvorí.

## 32 Riešenie problémov

### Zariadenie na otváranie garážových dverí nefunguje ani z ovládania dverí, ani z diaľkového ovládača:

- Má zariadenie na otváranie garážových dverí funkčné elektrické napájanie? Zapojte lampu do zásuvky. Ak sa nerozsvieti, skontrolujte poistkovú skriňu alebo istič. (Niektoré zásuvky sú ovládané stenovým spínačom.)
- Otvorili ste všetky zámky dverí? Pozrite si upozornenia uvedené v návode na montáž na strane 5.
- Sú elektrické zapojenia správne?
- Nevznikol pod dverami nános ľadu alebo snehu? Dvere môžu byť primrznuté k zemi. Odstráňte všetky obmedzenia.
- Pružina garážových dverí môže byť zlomená. Vymeňte ju (pozrite si bod 3 Plánovanie).

### Zariadenie na otváranie dverí môže byť ovládané jedným tlačidlom ovládania, nie však s diaľkovým ovládaním:

- V prípade potreby preprogramujte diaľkové ovládanie a vymeňte batériu. Opakujte postup so všetkými diaľkovými ovládačmi.

### Dvere sa samé otvárajú a zatvárajú:

- Uistite sa, že sú všetky tlačidlá diaľkového ovládania vypnuté.
- Odpojte zvončekový kábel od svoriek ovládacej stanice s jedným tlačidlom a ovládajte dvere iba z diaľkového ovládača. Ak to problém vyrieši, ovládacia stanica s jedným tlačidlom je chybná alebo je v drôte prerušovaný skrat. Vymeňte ovládaciu stanicu.
- Vymažte pamäť a preprogramujte všetky diaľkové ovládače (pozrite si pokyny dodané s diaľkovým ovládaním alebo navštívte stránku LiftMaster.eu).

### Môj diaľkový ovládač neaktivuje garážové dvere:

- Overte, či na ovládaní dverí nie je aktivovaná funkcia uzamknutia.
- Znovu preprogramujte diaľkový ovládač.
- Ak diaľkový ovládač stále neaktivuje dvere, skontrolujte diagnostické kódy, aby ste zabezpečili správne fungovanie zariadenia na otváranie garážových dverí.

### Diaľkové ovládanie má krátky dosah:

- Zmeňte polohu diaľkového ovládania vo svojom aute.
- Niektoré inštalácie môžu mať vďaka kovovým dverám, fóliovej izolácii alebo kovovej garážovej koľajke kratší dosah.

### Dvere sa úplne neotvoria:

- skontrolujte funkciu zámku dverí.
- Niečo bráni pohybu dverí? Sú dvere nevyvážené alebo sú pružiny zlomené? Odstráňte prekážku alebo opravte dvere.

**Dvere sa otvoria, ale nezotvoria:**

- Skontrolujte, či je správne nainštalovaný monitor napnutia káblov. Ak bol odstránený druhý monitor napnutia kábla, na opakované napojenie jedného monitora napnutia káblov postupujte podľa pokynov (pozrite si bod 14).
- Ešte skôr ako sa zariadenie na otváranie dverí posunie smerom dolu, musia byť infračervené fotobunky správne pripojené a zarovnané. Ak môžete zatvoriť dvere pomocou konštantného tlaku, overte, či sú infračervené fotobunky správne nainštalované, zarovnané a bez akýchkoľvek prekážok.
- Ak kontrolky zariadenia na otváranie garážových dverí blikajú, skontrolujte infračervené fotobunky.
- Ak kontrolky zariadenia na otváranie garážových dverí neblíkajú a ide o novú inštaláciu (pozrite si bod 14). Pokiaľ ide o existujúcu inštaláciu, pozrite si pokyny nižšie.

Po dokončení nastavenia zopakujte skúšku bezpečnostného návratu dverí do pôvodnej polohy.

**Dvere sa vracajú do pôvodnej polohy bez zjavného dôvodu a svetlá zariadenia na otváranie garážových dverí neblíkajú:**

- Skontrolujte, či je správne nainštalovaný monitor napnutia káblov. Ak sa jeden z monitorov napnutia káblov odstráni, odpojte oba monitory od zariadenia na otváranie. Potom zapojte monitor, ktorý chcete použiť, trikrát ho odpojte od zariadenia a znova ho k nemu zapojte, aby ste ho opäť napojili na zariadenie na otváranie dverí. Poskytovaný rezistor 1k je určený len na riešenie problémov s nastavením CTM. V súlade s normou EN 12453 musí byť na správnu detekciu uvoľnenia káblov nainštalovaný monitor napnutia káblov.
- Niečo bráni pohybu dverí? Vytiahnite rukoväť núdzového uvoľnenia. Ovládajte dvere ručne. Ak sú dvere nevyvážené alebo zaseknuté, zavolajte technikov vyškolených na systémy dverí.
- Na miestach, kde sa dvere zatvárajú, vyčistite akýkoľvek ľad alebo sneh z podlahy garáže. Pozrite si bod 20.

Po úpravách zopakujte skúšku bezpečnostného návratu dverí do pôvodnej polohy.

**Moje dvere sa nezotvoria a svetlo blíká:**

Ešte skôr ako sa zariadenie na otváranie garážových dverí posunie smerom dolu, musia byť infračervené fotobunky správne pripojené a zarovnané.

- Skontrolujte, či sú infračervené fotobunky správne nainštalované, zarovnané a bez akýchkoľvek prekážok.

**Zariadenie na otváranie garážových dverí sa pri ovládaní dverí namáha:**

- Dvere môžu byť nevyvážené alebo pružiny prasknuté. Zatvorte dvere a pomocou rukoväte núdzového uvoľnenia dvere odpojte. Ručne otvorte a zatvorte dvere. Správne vyvážené dvere zastanú v akomkoľvek bode posunu, pričom budú úplne podporreté pružinami. Ak sa tak nestane, odpojte zariadenie na otváranie garážových dverí a zavolajte technika vyškoleného na systémy dverí.

**Motor zariadenia na otváranie garážových dverí krátko zahučí, potom prestane fungovať:**

- pružiny garážových dverí môžu byť zlomené. Pozrite vyššie.
- Ak sa problém vyskytne pri prvej činnosti zariadenia na otváranie garážových dverí, môžu byť zamknuté dvere. Odpojte zámok dverí.

**Zariadenie na otváranie garážových dverí nebude fungovať kvôli výpadku prúdu:**

- ručne otvorte zámok dverí.
- Opojte dvere s pomocou rukoväte núdzového uvoľnenia. Dvere sa dajú otvoriť a zatvoriť ručne. Po obnovení napájania potiahnite ručné uvoľnenie po druhýkrát.
- Deaktivujte všetky zámky dverí. Opojte dvere s pomocou rukoväte núdzového uvoľnenia. Dvere sa dajú otvoriť a zatvoriť ručne.

**Dorazy dverí nefungujú:**

Spojka nie je pevne utiahnutá. Utiahnite spojku a preprogramujte dorazy (pozrite si bod 20).

**Zariadenie na otváranie garážových dverí sa pohybuje, keď sú dvere v prevádzke:**

- Niektoré drobné pohyby sú pri tomto výrobku normálne. Ak ide o nadmerný pohyb, spojka sa predčasne opotrebuje.
- Skontrolujte, či sa torzná tyč nepohybuje nadmieru doľava/doprava.
- Skontrolujte, či sa torzná tyč počas otáčania viditeľne nepohybuje nahor a nadol.
- Skontrolujte, či je zariadenie na otváranie pripevnené k hriadeľu v pravom uhle. Ak nie je, posuňte polohu montážnej konzoly.

**Konektor automatického zámku dverí nezapadá do zásuvky zariadenia na otváranie dverí:**

- Staršie 24V modely zámkov dverí nie sú kompatibilné. Použite automatický zámok modelu 841EU, pozrite si stránku Príslušenstvo.

**Automatický zámok garážovej brány sa neaktivuje, keď sa garážové dvere otvárajú alebo zatvárajú:**

- V režime záložnej batérie sa po otvorení garážových dverí automaticky odomkne automatický zámok garážových dverí a zostane zablokovaný, až kým sa napájanie neobnoví.

**Zariadenie na otváranie dverí pípa:**

- naznačuje zatvorenie bez obsluhy. Zariadenie na otváranie bolo aktivované aplikáciou MyQ alebo monitorom garáže alebo brány.
- Stále oranžová LED kontrolka so zvukovým signálom, ktorý zaznie približne každé 2 sekundy, naznačuje, že zariadenie na otváranie garážových dverí je napájané z batérie.
- Blikajúca oranžová LED kontrolka so zvukovým signálom, ktorý zaznie približne každých 30 sekúnd naznačuje, že batéria je takmer vybitá.
- Stále červená LED kontrolka so zvukovým signálom, ktorý zaznie približne každých 30 sekúnd, naznačuje, že batéria 12 V sa už nedá nabíjať a musí byť vymenená.

**Garážové dvere pípujú a červená LED kontrolka bliká:**

Nabíjanie batérie je nedostatočné alebo je batéria zničená.

- Vymeňte batériu.

**Ovládanie pomocou mobilného telefónu MyQ, bezdrôtové zariadenia s funkciou MyQ a funkcia časovača nefungujú:**

- V režime záložnej batérie sa deaktivuje funkcia ovládania s pomocou mobilného telefónu MyQ, bezdrôtové zariadenia s funkciou MyQ a časovač.
- Aby sa umožnilo používanie funkcie ovládania pomocou mobilného telefónu MyQ a časovač, musí sa nainštalovať LED kontrolka diaľkového ovládania MyQ. Pripojte LED kontrolku diaľkového ovládania MyQ a uistite sa, že je naprogramovaná na zariadenie na otváranie garážových dverí. Zapnutie funkcie ovládania pomocou mobilného telefónu MyQ a časovača môže trvať až 5 minút.

### 33 Voliteľné príslušenstvo

Vždy používajte príslušenstvo LiftMaster.  
Externé výrobky môžu spôsobiť poruchy.

1.	TX4UNIF	4-kanálové univerzálne diaľkové ovládanie
2.	TX4EVS	4-kanálové diaľkové ovládanie
3.	TX4UNI/S	4-kanálové univerzálne diaľkové ovládanie
4.	128EV	Bezdrôtové 2-kanálové ovládanie na stene
5.	747EV	Klávesnica
6.	78EV	Drôtové multifunkčné ovládanie na stene
7.	FLA-1LED	Blikajúce svetlo
8.	772E	Fotobunky
9.	100034	Kľúčový spínač (zapustený v stene)
10.	100041	Kľúčový spínač (montovaný na povrchu)
11.	829EV	Monitor garážových dverí
12.	485EU	Záložná batéria
13.	827EV	LED kontrolka diaľkového ovládania MyQ:
14.	041A9264	Monitor napnutia káblov
15.	841EU	Automatický zámok dverí

### 34 Technické údaje

Vstupné napätie	230 – 240 VAC, 50 Hz
Max. krútiaci moment	36 Nm - AC + BATÉRIA 29 Nm - AC
Menovitý krútiaci moment	10 Nm
Výkon	150 W
Pohotovostný režim	2,6 W
Typ motora	DC prevodový motor s permanentným mazaním
Úroveň hluku	57 dB
Rýchlosť posunu	21 otáčok za minútu (dole), 36 otáčok za minútu (hore)
Osobná bezpečnosť	Tlačidlo a automatické zastavenie v smere nadol. Tlačidlo a automatické zastavenie v smere nahor.
Elektronické	Automatické nastavenie sily
Elektrické	Zapojenie ochrany proti preťaženiu transformátora a nízkonapäťového tlačidla.
Obmedzovač	Optický detektor otáčok/priechodnosti.
Nastavenie obmedzenia	Elektronické, poloautomatické a plne automatické.
Štartovací obvod	Nízkonapäťový tlačidlový obvod.
Max. výška dverí	3 m
Max. šírka dverí	5,5 m
Max. priestor dverí	16,5 m <sup>2</sup>
Max. závažia dverí	130 kg
Závesná hmotnosť	11 kg
Registre pamäte prijímača	64
Frekvencia prevádzky	433/868 MHz, 2,4 GHz



## 35 Sprievodca bezpečnosťou a údržbou automatického zariadenia na otváranie garážových dverí

### BEZPEČNOSŤ ZARIADENIA NA OTVÁRANIE GARÁŽOVÝCH DVERÍ – AUTOMATICKÉ ROZHODNUTIE

Garážové dvere sú najväčším pohyblivým predmetom v domácnosti. Nesprávne nastavené garážové dvere a zariadenie na otváranie môžu pri zatváraní dverí vyvinúť smrtiacu silu – čo môže viesť k zachyteniu detí alebo dospelých a následnému zraneniu alebo úmrtiu.

Na zabezpečenie bezpečného a bezporuchového systému je nevyhnutná správna inštalácia, prevádzka, údržba a skúšanie garážových dverí a automatického zariadenia na otváranie. Neopatrná prevádzka alebo umožnenie deťom hrať sa s ovládacími prvkami zariadenia alebo ich používať spôsobuje vznik nebezpečných situácií, ktoré môžu mať tragické dôsledky. Vašu rodinu a priateľov môže pred možnou ujmom ochrániť niekoľko jednoduchých bezpečnostných opatrení. Prečítajte si pozorne tipy na zaistenie bezpečnosti a údržby v tejto brožúre a uschovajte ich na neskoršie nahliadnutie. Skontrolujte funkčnosť svojich garážových dverí a zariadenia na otváranie, aby ste zabezpečili ich bezpečné a bezchybné fungovanie. Nezabudnite si prečítať všetky dôležité bezpečnostné informácie, ktoré nájdete v príručke k zariadeniu na otváranie garážových dverí, ktorá poskytuje ďalšie podrobnosti a bezpečnostné pokyny a môže byť dodávaná s touto brožúrou.

### Zariadenia na otváranie garážových dverí nie sú hračky

Pohovorte si so svojimi deťmi o bezpečnosti garážových dverí a zariadenia na ich otváranie. Vysvetlite im nebezpečenstvo zachytenia pod dverami.



**Nezdržiavajte sa pri pohybujúcich sa dverách.**



**Udržujte vysielacie a diaľkové ovládače mimo dosahu detí.** Nedovoľte, aby sa deti hrali s vysielacími alebo inými zariadeniami na diaľkové ovládanie, alebo ich používali.



**Tlačidlo montované na stenu by malo byť mimo dosahu detí,** najmenej 150 cm od najbližšieho stojaceho povrchu a mimo všetkých pohyblivých častí. Toto tlačidlo namontujte a použite na mieste, na ktorom môžete jasne vidieť zatvárajúce sa garážové dvere.



**Pri používaní tlačidla alebo vysieláča montovaného na stenu majte dvere v dohľade, kým sa úplne nezatvoria.**

## 36 Bežná údržba môže zabrániť vzniku tragédií

Pravidelne vykonávajte mesačnú kontrolu a skúšanie svojich garážových dverí a otváracích systémov. Pozrite si návod na používanie pre zariadenie na otváranie dverí, ako aj dvere. Ak nemáte príslušné návody, kontaktujte výrobcu (výrobcov) a vyžiadajte si ich kópiu pre konkrétny(-e) model(-y). Vyhľadajte si číslo modelu zariadenia na otváranie na zadnej strane jednotky.



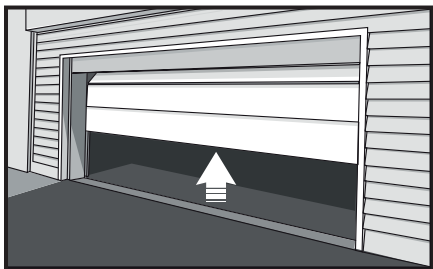
**VÝSTRAHA – Pružiny sú pod vysokým napätím.  
Upravovať ich môžu iba oprávnení jednotlivci.**

### Vizuálne skontrolujte dvere a inštaláciu:



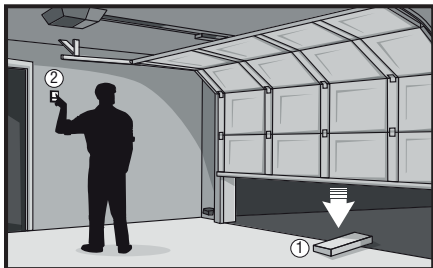
- Dvere odpojte tak, že použijete ručné odpojenie na zariadení na otváranie, keď sú dvere v zatvorenej polohe.
- Vyhľadajte prípadné známky opotrebenia alebo poškodenia na pántoch, valcoch, pružinách a paneloch dverí.
- Tieto časti môžu vyžadovať pravidelné mazanie. Pozrite si návod na obsluhu, pokiaľ ide o odporúčanú údržbu.
- Ak sú zjavné akékoľvek príznaky poškodenia, obráťte sa na technikov vyškolených na systémy dverí.
- Overte, či výška fotočláčku nepresahuje 6 stôp od podlahy garáže.

### Odkúšajte správnu prevádzku dverí:



- Ručne otvorte a zatvorte dvere pomocou rúkaví alebo vhodných bodov uchopenia.
- Dvere by sa mali pohybovať voľne a bez ťažkostí.
- Dvere by mali byť vyvážené a čiastočne otvorené 90 až 120 cm nad podlahou.
- Ak zistíte akékoľvek príznaky nesprávnej prevádzky, obráťte sa na technikov vyškolených na systémy dverí.

### Odkúšajte bezpečnostné prvky zariadenia na otváranie:



- Opätovne pripojte zariadenie na otváranie k dverám pomocou ručného odpojenia a otvorte dvere.
- Do dráhy dverí (1) položte 40 mm vysokú dosku a pokúste sa ich zatvoriť (2). Keď dvere prídu do styku s doskou, mali by sa zastaviť a následne sa vrátiť naspäť.
- Zablokujte snímač fotobuniek tým, že pokývete nejakým objektom pred snímačom a pokúste sa zatvoriť dvere. Dvere by sa nemali zatvárať, pokiaľ nie je počas prevádzky ručne podržané tlačidlo namontované na stene.
- Ak zariadenie na otváranie nefunguje podľa popisu, obráťte sa na technikov vyškolených na systémy dverí.

**Примечание:**

Оригинал инструкции по установке и эксплуатации был составлен на английском языке. Текст на любом другом языке является переводом оригинала с английского языка.

<b>1</b>	Общие правила безопасности.....	2
<b>2</b>	Использование по назначению.....	4
<b>3</b>	Планирование работы ворот.....	4
<b>4</b>	Планирование работы MyQ.....	4
<b>5</b>	Подготовка гаражных ворот.....	5
<b>6</b>	Необходимые инструменты.....	5
<b>7</b>	Комплект поставки.....	5
<b>8</b>	Необходимые комплектующие.....	5
<b>9</b>	Крепление муфты к устройству открывания гаражных ворот.....	6
<b>10</b>	Прикрепление монтажного кронштейна к приводу гаражных ворот.....	6
<b>11</b>	Позиционирование и монтаж привода гаражных ворот.....	6
<b>12</b>	Установка троса и рукоятки аварийного отключения.....	6
<b>13</b>	Установка автоматической защелки ворот.....	7
<b>14</b>	Установка датчика натяжения кабеля (041A9264) (обязателен).....	7
<b>15</b>	Установка светильника MyQ (только в сухих помещениях).....	8
<b>16</b>	Подключение к сети питания.....	8
<b>17</b>	Установка фотоэлементов.....	8
<b>18</b>	Подключение к сети питания.....	9
<b>19</b>	Установка батареи резервного питания (приобретается отдельно).....	9
<b>20</b>	Программирование предельных положений.....	10
<b>21</b>	Проверка защитной системы автоматического возврата.....	10
<b>22</b>	Чтобы открыть ворота вручную.....	11
<b>23</b>	Эксплуатация привода гаражных ворот.....	11
<b>24</b>	Подключение к вашему смартфону.....	13
<b>25</b>	Программирование привода и пульта дистанционного управления / беспроводной кнопки / беспроводной клавиатуры (дополнительно).....	14
<b>26</b>	Программирование светильника MyQ Remote LED Light.....	14
<b>27</b>	Чтобы очистить память.....	15
<b>28</b>	Обслуживание привода гаражных ворот.....	15
<b>29</b>	Замена батарей пульта дистанционного управления.....	15
<b>30</b>	Утилизация.....	16
<b>31</b>	Диагностика.....	16
<b>32</b>	Устранение неполадок.....	17
<b>33</b>	Дополнительные аксессуары.....	20
<b>34</b>	Технические данные.....	20
<b>35</b>	Руководство по технике безопасности и обслуживанию автоматического устройства открывания гаражных ворот.....	21
<b>36</b>	Плановое обслуживание поможет предотвратить несчастные случаи.....	22

# ПРЕДУПРЕЖДЕНИЕ!

## ПРЕДВАРИТЕЛЬНО ОЗНАКОМЬТЕСЬ СО СЛЕДУЮЩИМ РУКОВОДСТВОМ ПО БЕЗОПАСНОСТИ!

### 1 Общие правила безопасности

До начала установки:

Ознакомьтесь с инструкциями по эксплуатации, в особенности, с правилами техники безопасности. Сохраните данное руководство для последующего использования и передайте его следующему владельцу. Данные символы размещены перед инструкциями во избежание получения травм и порчи имущества. Внимательно прочтите данные инструкции.



#### ОСТОРОЖНО

Получение травм или порча имущества.



#### ОСТОРОЖНО

Опасность получения электротравмы

#### Важная информация по технике безопасности

Автоматизированная система открывания ворот была проверена и спроектирована для безопасной работы, однако безопасность может быть обеспечена только в том случае, если при установке и эксплуатации строго соблюдаются приведенные ниже правила техники безопасности. Разрешен монтаж только обученными специалистами по установке гаражных ворот. Может потребоваться регулировка дверных пружин и/или конфигурации направляющей. Устройство не предназначено для использования на направляющих с малым зазором с помощью внешнего подъемного барабана или гаражных ворот с пружинами растяжения.

- Установщик (специалист) должен внимательно прочитать и понять данные инструкции перед началом выполнения работ. Перед первым использованием и не реже одного раза в год специалист должен проверять окна, двери и ворота с электроприводом на предмет их безопасности. Специалистом является человек, который на основании своей технической подготовки и опыта обладает достаточными знаниями в области окон, дверей и ворот с электроприводом, а также знаком с соответствующими государственными правилами безопасности и общепринятыми правилами техники в такой степени, что также способен оценить безопасное рабочее состояние окон, дверей и ворот с электроприводом.
- Установщик должен знать следующие стандарты: EN 13241, EN 12604, EN 12453. Квалифицированный специалист / эксперт должен проинструктировать оператора о нижеследующем:
  - Работа привода и связанные с этим опасности
  - Настройка механизма ручного аварийного отпирания
  - Регулярное техническое обслуживание, проверки и меры предосторожности, а также их задачи
  - Оператор должен проинструктировать других пользователей о работе привода. После успешной установки привода лицо, ответственное за его установку в соответствии с Директивой по механическому оборудованию 2006/42/ЕС, должно выдать декларацию соответствия ЕС для данной системы ворот. Маркировка CE и типовая табличка должны быть прикреплены к системе управления воротами. Это также является обязательным в процессе дооснащения ворот с ручным управлением. Кроме того, должен быть заполнен протокол передачи обслуживания и журнал учета проверок.
- Ворота должны быть сбалансированы. Плохо двигающиеся или застревающие ворота должны быть отремонтированы. В несбалансированном состоянии ворота гаража, дверные пружины, кабели, диски, кронштейны и рельсы находятся в состоянии экстремального напряжения, что может привести к серьезным травмам. Не пытайтесь самостоятельно опустить, сдвинуть или выровнять ворота, обратитесь в сервисный центр или к специалисту по дверным системам.
- Во время установки или обслуживания системы открывания ворот нельзя носить украшения, часы или свободную одежду.
- Чтобы избежать серьезных травм из-за запутывания, удалите все кабели и цепи, соединенные с воротами, прежде чем устанавливать систему открывания ворот.
- Во время установки и подключения компонентов электрической системы необходимо соблюдать местные нормы строительства и проведения электрических работ.
- В соответствии с требованиями стандарта EN12453 установка датчика натяжения кабеля является обязательной.
- Во избежание повреждения очень легких ворот (например, ворот из стекловолокна, алюминия или стали) необходимо укрепить их. Для этого обратитесь к производителю ворот.
- Защитную систему автоматического возврата необходимо подвергнуть испытаниям. При контакте с находящимся на земле препятствием высотой 40 мм ворота гаража ДОЛЖНЫ изменить направление движения. Неправильная настройка устройства открывания ворот может привести к серьезным травмам при закрывании гаража. Проводите испытания один раз в месяц и вносите необходимые изменения.
- Эта система не должна устанавливаться в сырых или влажных помещениях.
- Во время работы ворота ни в коем случае не должны перегораживать проходы общего пользования.
- Для напоминания всем операторам правил безопасной эксплуатации, в дополнение к подсвечиваемому настенному выключателю должен быть прикреплен предупреждающий знак для защиты детей. Предупреждающие знаки о риске защемления следует размещать в хорошо видимых местах.
- Необходимо следить за тем, чтобы дети не играли с устройством. Не допускается доступ детей к кнопкам или пультам дистанционного управления.
- Данное устройство не предназначено для использования лицами (включая детей) с ограниченными физическими, сенсорными или умственными способностями или не имеющими опыта и / или знаний, если они не контролируются лицом, ответственным за их безопасность, или не получили инструкции о том, как использовать устройство.

- Все запоры / замки должны быть разомкнуты или сняты для того, чтобы избежать повреждения ворот.
- При необходимости, установленное оборудование управления ДОЛЖНО быть смонтировано в пределах видимости ворот и в не доступном для детей месте. Не позволяйте детям пользоваться настенным пультом или пультом дистанционного управления. Неправильная эксплуатация устройства открывания ворот может привести к серьезным травмам.
- Устройство открывания ворот необходимо использовать, ТОЛЬКО если оператор может видеть все пространство открывания ворот и уверен в том, что нет препятствий, и устройство установлено правильно. Нельзя проходить в ворота, пока они находятся в движении. Детям запрещено играть в непосредственной близости от ворот.
- Аварийное разблокирование должно использоваться только для отсоединения тележки от привода и, по возможности, ТОЛЬКО тогда, когда ворота закрыты. Нельзя использовать красную ручку для частичного открытия или закрывания ворот.
- Перед проведением любых ремонтных работ или снятием кожухов устройство открывания ворот должно быть отключено от электропитания. **Ремонт и электромонтажные работы могут осуществляться только имеющим допуск электриком.**
- Данное изделие оснащается специальным электрическим кабелем. В случае повреждения кабель должен быть заменен квалифицированным специалистом новым оригинальным кабелем.
- Использование аварийного отключения может привести к неконтролируемым движениям ворот, если пружины ослаблены или неисправны, или если ворота не сбалансированы.
- Установите ручку аварийного отключения на высоте менее 1,80 м.
- Функция таймера закрытия (ТТС), приложения MyQ Smartphone Control, MyQ Garage Door и Gate Monitor являются примерами неконтролируемого закрытия и должны использоваться ТОЛЬКО на секционных воротах. Любое устройство или функция, которая позволяет закрыть ворота, не находясь в зоне прямой видимости, считается средством неконтролируемого закрывания. Функция таймера закрытия (ТТС), MyQ Smartphone Control и любые другие устройства MyQ должны использоваться ТОЛЬКО на секционных воротах.
- Привод не должен использоваться, если в двери гаража есть калитка.

**Сохраняйте данные инструкции.**

## 2 Использование по назначению

Устройство предназначено для открытия и закрытия ворот с использованием торсионного стержня и пружин (см. Раздел 3 «Планирование»). Устройство не предназначено для коммерческого использования, а предназначено исключительно для использования на воротах частных гаражей. Любое использование привода не по назначению может увеличить риск возникновения несчастных случаев. Производитель не несет ответственности в случае использования не по назначению. К приводу могут присоединяться только оригинальные комплектующие LiftMaster. Автоматические ворота с данным приводом должны соответствовать действующим в настоящее время международным, национальным и местным стандартам, рекомендациям и нормам (EN 13241, EN 12453 и EN 12604).

## 3 Планирование работы ворот

Проведите осмотр помещения на предмет того, подходят ли его характеристики для установки. В зависимости от конкретных требований могут потребоваться дополнительные материалы.

### ДАННОЕ УСТРОЙСТВО ОТКРЫВАНИЯ ВОРОТ СОВМЕСТИМО С:

- Воротами, в конструкции которых используются торсионный стержень и пружины. Диаметр торсионного стержня должен быть 25,4 мм. НЕ совместим с реверсивными барабанами.
- Барабанами 80-120 мм, не используется на конусных барабанах диаметром более 120 мм.
- Стандартными лифтовыми секционными воротами высотой до 3 м.
- Воротами шириной до 5,5 м.
- Воротами площадью до 16,5 м<sup>2</sup>.

*ПРИМЕЧАНИЕ: Проверьте торсионный стержень в поднятом и опущенном положении. Важно, чтобы не было заметного движения вверх-вниз и вправо-влево. Неправильное движение значительно сокращает срок службы устройства открывания ворот.*

Осмотрите и проверьте предлагаемое место установки. Устройство открывания ворот может быть установлено на правую и на левую сторону ворот. Выберите ту сторону, которая соответствует перечисленным ниже требованиям.

- a. Необходимое минимальное расстояние между стеной и центром торсионного стержня - 6,4 см.
- b. Необходимое минимальное расстояние между потолком и центром торсионного стержня - 7,6 см.
- c. Необходимое минимальное расстояние между боковой стенкой (препятствием) и концом торсионного стержня - 21,6 см.
- d. Торсионный стержень должен выходить как минимум на 3,81 см за подшипник. Этот пункт может варьироваться в зависимости от ваших требований к установке.
- e. Необходима электрическая розетка в пределах 1,83 м от места установки. Если розетка отсутствует, обратитесь к квалифицированному электрику.

## 4 Планирование работы MyQ

Существует возможность контролировать устройство открывания с помощью системы MyQ, необходимо установить фотоэлементы. Контролируйте и управляйте воротами гаража из любого места с помощью приложения MyQ.

### ПЕРЕД НАЧАЛОМ РАБОТ:

Вам понадобятся:

- Смартфон с подключением Wi-Fi, планшет или ноутбук
- Широкополосное подключение к Интернет
- Сигнал Wi-Fi в гараже (требуется 2,4 ГГц, 802.11b / g / n)
- Пароль для вашей домашней сети (основная учетная запись маршрутизатора, не гостевая сеть)

### ПРОВЕРКА МОЩНОСТИ СИГНАЛА WI-FI

Убедитесь, что ваше мобильное устройство подключено к сети Wi-Fi. Держите мобильное устройство в том месте, где будет установлена ваша система открывания гаражных ворот, и проверьте мощность сигнала Wi-Fi.

### Сильный сигнал Wi-Fi.

Устройство открывания гаражных ворот подключится к вашей сети Wi-Fi.

### Слабый сигнал Wi-Fi.

Устройство открывания гаражных ворот может подключиться к вашей сети Wi-Fi. Если нет, попробуйте одним из указанных ниже способов усилить сигнал Wi-Fi:

### Нет сигнала Wi-Fi.

Устройство открывания гаражных ворот не сможет подключиться к вашей сети Wi-Fi. Попробуйте одним из указанных ниже способов усилить сигнал Wi-Fi:

- Переместите маршрутизатор ближе к устройству открывания гаражных ворот, чтобы свести к минимуму помехи от стен и других объектов.
- Купите расширитель диапазона Wi-Fi.

## 5 Подготовка гаражных ворот



**ОСТОРОЖНО:** ВСЕГДА обращайтесь к квалифицированному специалисту по дверным системам в случае застревания ворот гаража или дисбаланса ворот. Дисбаланс гаражных ворот может привести к тому, что изменить направление движения в случае необходимости будет невозможно. НИКОГДА не пытайтесь самостоятельно опустить, сдвинуть или отрегулировать ворота гаража, пружины, кабели, блоки, кронштейны или их оборудование, так как ВСЕ эти компоненты находятся под ВЫСОКИМ напряжением. Снимите ВСЕ замки и удалите ВСЕ тросы, присоединенные к воротам гаража ДО НАЧАЛА установки и эксплуатации устройства для открывания гаражных ворот, чтобы избежать запутывания. Эта система открыта оснащена функцией автоматического управления. Движение ворот может начаться неожиданно. ВО ВРЕМЯ ДВИЖЕНИЯ ВОРОТ НИКТО НЕ ДОЛЖЕН ВХОДИТЬ ИЛИ ВЫХОДИТЬ ИЗ ГАРАЖА.

### ПЕРЕД НАЧАЛОМ РАБОТ:

- Снимите замки.
- Отсоедините тросы, присоединенные к воротам гаража.

Проведите следующую проверку для того, чтобы убедиться, что ворота гаража сбалансированы, не зацепляются и не застревают:

- Поднимите ворота до половины. Высвободите ворота. Если ворота сбалансированы, они останутся на месте под действием пружин.
- Поднимите и опустите ворота, чтобы убедиться, что они не зацепляются и не застревают.
- НЕ допускается быстрое открывание или закрывание ворот весом свыше 130 кг.

Если ворота зацепляются, застревают или не сбалансированы, обратитесь к квалифицированному специалисту по дверным системам.

## 6 Необходимые инструменты

Во время сборки, установки и настройки привода гаражных ворот согласно инструкции потребуются следующие инструменты.

- |                |  |
|----------------|--|
| 1. Стремянка   | 7. Отвертка                                |
| 2. Дрель       | 8. Уровень                                 |
| 3. Рулетка     | 9. Молоток-гвоздодер                       |
| 4. Кусачки     | 10. Гаечный ключ с удлинителем и головками |
| 5. Плоскогубцы | 11. Разводной гаечный ключ                 |
| 6. Сверла      | 12. Карандаш                               |

## 7 Комплект поставки

Если что-либо отсутствует, внимательно проверьте материал упаковки.

ПРИВОД ГАРАЖНЫХ ВОРОТ		9. Анкерные винты для гипсокартона (вворачиваемые) 42 мм	2x
1. Привод LM3800W	1x	10. Винт 27,85 мм	2x
2. Автоматический замок , 841EU	1x	КОМПЛЕКТ ОБОРУДОВАНИЯ	
3. Монтажный кронштейн	1x	11. Винт 15 мм	2x
4. Муфта с установочными винтами	1x	12. Винт 54,8 мм	4x
5. Предупреждающая табличка	1x	13. Рукоятка	1x
6. 4-кнопочный пульт дистанционного управления, TX4EVF	2x	14. Трос	1x
7. Светодиодная лампа MyQ, 827EV	1x	15. Винт 15 мм	2x
8. Руководство по эксплуатации		16. Анкерные винты для гипсокартона (вворачиваемые) 36,8 мм	4x
КРЕПЕЖ ОСВЕЩЕНИЯ		17. Винт 22 мм	2x

## 8 Необходимые комплектующие

Датчик натяжения кабеля 041A92642

Инфракрасные фотозлементы (для работы таймера или MyQ: - 771EV или - 772E, или - 771EVK, или- G770E).

## 9 Крепление муфты к устройству открывания гаражных ворот

Чтобы не затруднять установку, не запускайте привод гаражных ворот до тех пор, пока не получите соответствующие инструкции. Привод гаражных ворот может быть установлен с обеих сторон ворот (см. раздел "Планирование"). Изображения, относящиеся к установке, приведены на листе иллюстраций

1. Ослабьте установочные винты.
2. Прикрепите муфту к валу привода гаражных ворот. Сторона муфты с большим отверстием должна быть установлена на вал двигателя.
3. Убедитесь, что муфта установлена до упора на вал двигателя.
4. Расположите муфту так, чтобы винты были обращены наружу и были доступны во время крепления к торсионному стержню.
5. Надежно затяните 2 ближайших к валу двигателя винта с квадратными головками, повернув винты на 1/4 - 1/2 оборота после соприкосновения с валом двигателя.

## 10 Прикрепление монтажного кронштейна к приводу гаражных ворот



1. Неплотно прикрепите сторону с прорезями монтажного кронштейна к той же стороне привода гаражных ворот, куда прикреплена муфта, используя входящие в комплект винты (11).

*ПРИМЕЧАНИЕ: Не затягивайте винты, пока не получите соответствующие инструкции.*

## 11 Позиционирование и монтаж привода гаражных ворот



При установку на кирпичную кладку **ДОЛЖНЫ** использоваться анкерные винты для бетона. **НИКОГДА** не пытайтесь самостоятельно опустить, сдвинуть или отрегулировать гаражные ворота, дверные пружины, кабели, блоки, кронштейны или их оборудование, так как **ВСЕ** эти компоненты находятся под **ВЫСОКИМ** напряжением. **ВСЕГДА** обращайтесь к квалифицированному специалисту по дверным системам / установщику / специалисту если ворота гаража застревают, заедают или не сбалансированы. Дисбаланс гаражных ворот препятствует изменению направления движения в случае необходимости. Устройство открывания гаражных ворот **ДОЛЖНО** быть установлено под прямым углом к торсионному стержню, чтобы избежать преждевременного износа муфты. Учитывайте требования на месте эксплуатации.

*ПРИМЕЧАНИЕ: Дополнительные варианты монтажа см. на странице комплектующих.*

1. Полностью закройте ворота гаража.
2. Отодвиньте устройство открывания гаражных ворот на конец торсионного стержня. Если торсионный стержень слишком длинный или поврежден, его придется срезать. Убедитесь, что муфта **НЕ** касается подшипника.
3. Используйте уровень для вертикального позиционирования привода гаражных ворот. Убедитесь, что монтажный кронштейн расположен на твердой поверхности, такой как дерево, бетон, или на кронштейне ворот / перегородки. При установке на гипсокартон, монтажный кронштейн **ДОЛЖЕН** быть прикреплен к брусу.
4. Когда устройство открывания гаражных ворот правильно выровнено, отметьте отверстия монтажного кронштейна. Если необходимо, затяните винты на торсионном стержне, чтобы удерживать устройство открывания гаражных ворот на месте при маркировке отверстий. **ПРИМЕЧАНИЕ:** Устройство открывания гаражных ворот не должно быть установлено вровень с поверхностью стены.
5. Снимите устройство открывания гаражных ворот с торсионного стержня. Просверлите пробные отверстия размером 5 мм в отмеченных местах. При необходимости просверлите металлическую обвязку ворот.
6. Сдвиньте привод гаражных ворот обратно на торсионный стержень так, чтобы пробные отверстия выровнялись с кронштейном.
7. Затяните 2 винта с квадратными головками на торсионном стержне. Если стержень полый, затяните винты на 3/4 - 1 полный оборот после соприкосновения со стержнем. Если стержень монолитный, затяните винты на 1/4 - не более 1/2 после соприкосновения с валом. Если вы проводите установку на закрепленный торсионный стержень, **НЕ** затягивайте винты в шпоночном пазу.
8. Прикрутите монтажный кронштейн к стене и к приводу гаражных ворот. Используйте винты (12), чтобы закрепить монтажный кронштейн на стене.

## 12 Установка троса и рукоятки аварийного отключения



По возможности, используйте рукоятку аварийного отключения, чтобы отключить ворота, **ТОЛЬКО** когда ворота гаража **ЗАКРЫТЫ**. Ослабленные, неисправные пружины или несбалансированные ворота могут привести к резкому и / или неожиданному падению открытых ворот. **НИКОГДА** не используйте рукоятку аварийного отключения, если в зоне закрывания ворот гаража находятся люди и препятствия.

1. Пропустите один конец троса аварийного отключения через рукоятку. Убедитесь, что табличка "NOTICE" (указание) располагается лицевой стороной вверх. Закрепите верхний узел на расстоянии не менее 2,5 см от конца троса, чтобы предотвратить соскальзывание.
2. Пропустите другой конец троса через отверстие в рычаге. Установите механизм аварийного отключения в пределах досягаемости, не менее 1,83 м над полом, избегая контакта с транспортными средствами во избежание случайной остановки, закрепите простым узлом.

*ПРИМЕЧАНИЕ: При необходимости отрежьте трос, опалите отрезанный край спичкой или зажигалкой, чтобы предотвратить распускание.*



## 13 Установка автоматической защелки ворот

Автоматическая защелка ворот (модель 841EU) предназначена для предотвращения ручного открывания ворот после закрывания.

*ПРИМЕЧАНИЕ: Предыдущая модель защелки 24 V не совместима.*

1. По возможности, защелку необходимо установить не дальше 3,05 м от привода, на той же стороне, что и привод ворот.
2. Убедитесь, что поверхность рейки чиста, и установите шаблон защелки на направляющую так, чтобы отверстие болта находилось на расстоянии прикл. 7,6 см от центра ролика ворот.
3. Просверлите отверстия в соответствии с разметкой шаблона.
4. Закрепите автоматическую защелку ворот на наружной стороне направляющей ворот при помощи прилагающегося крепежа.
5. Проложите провод звонка по верху стены до устройства открывания ворот. Закрепите провод в нескольких местах с помощью изолированных скоб (приобретаются отдельно). Проложите провод через отверстие снизу устройства открывания ворот.
6. Установите разъем в любую розетку устройства открывания ворот. С противоположной стороны ворот можно установить вторую защелку (841EU) в соответствии с этой же инструкцией.

### ИСПЫТАНИЕ АВТОМАТИЧЕСКОГО ЗАПИРАНИЯ ВОРОТ

1. Когда ворота полностью закрыты, болт автоматической защелки (В) должен проходить сквозь направляющую.
2. Попытайтесь открыть ворота. Автоматическая защелка (А) должна быть втянута до начала движения ворот.
3. Попытайтесь опустить ворота. В полностью закрытом положении ворот автоматическая защелка должна переместиться в положение запирания.

*ПРИМЕЧАНИЕ: Если автоматическая защелка ворот не работает, замок можно разблокировать вручную, сдвинув рукоятку ручного открывания (С) в положение открывания.*

## 14 Установка датчика натяжения кабеля (041A9264) (обязателен)

НЕОБХОДИМО установить датчик натяжения кабеля до начала движения привода гаражных ворот в нижнее положение. Датчик натяжения кабеля обнаруживает ЛЮБОЕ провисание кабеля и реверсирует ворота, исключая обращения в сервисную службу. В соответствии с требованиями стандарта EN12453 установка датчика натяжения кабеля является обязательной.

*ПРИМЕЧАНИЕ: Датчик натяжения кабеля предназначен для установки на левую сторону. Для установки на правую сторону снимите стопорное кольцо ролика и установите ролик на другую сторону датчика натяжения кабеля.*

1. Убедитесь, что кабель ворот находится на расстоянии прикл. 19 мм от поверхности монтажа. Для правильной установки кабеля может потребоваться регулировка ворот или установка регулировочных подкладок.
2. Установите датчик натяжения кабеля так, чтобы ролик находился на расстоянии 5 - 15 см от барабана и выступал на 3 - 6 мм сзади кабеля. Убедитесь, что датчик натяжения кабеля находится над деревянной опорой, а ролик двигается беспрепятственно.  
*ПРИМЕЧАНИЕ: На участке монтажа датчика натяжения кабеля не должно быть препятствий, которые мешают полному закрыванию датчика в случае обнаружения слабны.*
3. Нанесите метки и просверлите направляющие отверстия диаметром 5 мм для установки винтов (направляющие отверстия для саморезов не обязательны).
4. Закрепите датчик натяжения кабеля на стене с помощью прилагающегося крепежа. Убедитесь, что ролик находится сверху кабеля.
5. Проложите провод звонка до устройства открывания ворот. Для крепления провода используйте изолированные скобы.
6. Подключите провод звонка к быстроразъемным клеммам зеленого цвета (10 + 11) привода ворот (полярность значения не имеет).  
*ПРИМЕЧАНИЕ: На протяжении всего перемещения ворот кабель должен быть натянут. Убедитесь, что в процессе эксплуатации не возникает слабны кабеля с обратной стороны ворот. Если во время движения ворот возникает слабна, отрегулируйте положение кабелей.*

В случае применения двух датчиков натяжения кабеля движение ворот вниз невозможно или осуществляется движение назад, если одним из датчиков обнаружена слабна или он отсоединен.

### ИСПЫТАНИЕ ДАТЧИКА НАТЯЖЕНИЯ КАБЕЛЯ

При полностью закрытых воротах нажмите на переднюю часть датчика натяжения кабеля. Должен быть слышен звук щелчка. Если звук щелчка не слышен, ролик может задевать за боковину и препятствовать обнаружению слабны кабеля. Убедитесь, что датчик натяжения кабеля установлен вровень со стеной, а ролик двигается беспрепятственно.

Резистор 1к (1кОм) предназначен для выявления и устранения неполадок только датчик натяжения кабеля. В соответствии с EN12453 должен быть установлен датчик натяжения кабеля для надлежащего обнаружения провисания кабеля.

Если датчик натяжения кабеля находится в рабочем состоянии, индикаторы стрелки ВВЕРХ и ВНИЗ мерцают с диагностическим кодом 3-5.

## 15 Установка светильника MuQ (только в сухих помещениях)

Светильник предназначен для подключения непосредственно к стандартной розетке питания напряжением 230 В. Выберите подходящее место на потолке или стене, чтобы установить светильник на расстоянии 1,83 м от электророзетки так, чтобы кабель и светильник находились вдали от подвижных деталей. Установка светильника необходима для выполнения функций MuQ и таймер закрывания (ТТС).

*ПРИМЕЧАНИЕ: Если установка осуществляется на гипсокартон или подвесной потолок, используйте прилагающиеся анкеры для гипсокартона. Для установки анкеров по гипсокартону направляющие отверстия не требуются.*

1. Просверлите отверстия на расстоянии 15,6 см друг от друга в случае крепления на подвесной потолок. .  
ИЛИ  
Заверните анкеры для гипсокартона на расстоянии 15,6 см друг от друга в случае установки на гипсокартон.
2. Определите длину кабеля питания, необходимую для подключения к ближайшей розетке. Намотайте излишек кабеля на катушку сверху основания светильника. Проложите кабель в канале на одном уровне со светильником.
3. Откройте линзу светильника.
4. Закрепите светильник прилагающимися винтами (11+12)
5. Закройте линзу светильника.
6. Подключите светильник к розетке.

*ПРИМЕЧАНИЕ: Светильник обладает высокой яркостью. ЗАПРЕЩАЕТСЯ смотреть на светильник, находясь на лестнице.*

Светильник запрограммирован на заводе для работы с приводом. Дополнительные светильники необходимо программировать.

## 16 Подключение к сети питания



Чтобы предотвратить нанесение травм и повреждение устройства, привод необходимо эксплуатировать только в соответствии с инструкциями настоящего руководства. Вилка питания всегда должна находиться в доступном месте, чтобы в любой момент отсоединить привод от сети питания. Установка компонентов электрической системы осуществляется только квалифицированными специалистами.

## 17 Установка фотоэлементов

### ВАЖНАЯ ИНФОРМАЦИЯ ОБ ИНФРАКРАСНЫХ ФОТОЭЛЕМЕНТАХ

Инструкции по установке входят в комплект поставки инфракрасных фотоэлементов и должны строго соблюдаться. **Фотоэлементы необходимы для гарантии того, что ворота открыты или остаются открытыми, если люди, особенно маленькие дети, находятся в зоне закрывания ворот.** При правильном подключении и выравнивании датчик инфракрасных фотоэлементов обнаружит препятствие на пути с помощью электронного луча. Передающий датчик передает невидимый световой луч на приемный датчик. Если препятствие прерывает световой луч при закрывании ворот, ворота останавливаются и возвращаются в положение полного открывания, а индикатор мерцает 10 раз.

Для использования функций MuQ или ТТС передающие и приемные датчики должны быть направлены друг на друга на высоте не более чем 10 см от уровня пола. Либо датчик можно установить слева или справа от ворот, если солнечные лучи никогда не попадают в объектив приемного датчика. На пути невидимого светового луча не должно быть препятствий. Никакие компоненты гаражных ворот (направляющие, пружины, петли, ролики или другое оборудование) не должны прерывать луч во время закрывания ворот.

*ПРИМЕЧАНИЕ: Компания Liftmaster рекомендует устанавливать инфракрасные фотоэлементы на каждую установку. Для использования функций MuQ или ТТС требуется установка инфракрасного фотоэлемента.*

### ПРОЛОЖИТЕ ПРОВОД К ИНФРАКРАСНЫМ ФОТОЭЛЕМЕНТАМ

1. Проведите провод от обоих датчиков до привода гаражных ворот. Прикрепите провод к стене и потолку с помощью скоб.
2. Снимите 11 мм изоляции с каждой стороны кабеля. Разделите провода. Выполните скрутку белых проводов. Выполните скрутку белых / черных проводов.
3. Подключите белые провода к клемме белого цвета привода гаражных ворот. Подключите белые / черные провода к клемме серого цвета привода гаражных ворот. Чтобы подключить или отсоединить провода от клеммы, надавите на язычок клеммы отверткой.

### УБЕДИТЕСЬ, ЧТО ИНФРАКРАСНЫЕ ФОТОЭЛЕМЕНТЫ СОВМЕЩЕНЫ

**Ворота не закроются, если датчики неправильно установлены или не совмещены.**

Если луч света закрыт или направлен в сторону во время закрывания ворот, ворота будут двигаться назад, а светильник будет мерцать десять раз подряд. Если ворота уже открыты, они не закроются. Чтобы совместить датчики, необходимо ослабить барашковые гайки, совместить датчики, затем затянуть гайки.

Убедитесь, что светодиоды обоих датчиков непрерывно горят. Светодиоды обоих датчиков горят непрерывно, если они правильно совмещены и подключены.

## ПРОВЕРКА ИНФРАКРАСНОГО ФОТОЭЛЕМЕНТА

1. Откройте ворота. Установите препятствие на пути движения ворот.
2. Нажмите кнопку пульта дистанционного управления, чтобы закрыть ворота. Ворота должны двигаться не более 2.5 см, а светильник привода ворот должен мерцать 10 раз подряд.

Приводом гаражных ворот не выполняется закрывание ворот от пульта дистанционного управления, если светодиод инфракрасного фотоэлемента не горит (т.е., датчик не совмещен или перекрыт). Если приводом гаражных ворот осуществляется закрывание ворот, когда инфракрасный фотоэлемент перекрыт (и датчики находятся не выше 10 см над полом), обратитесь к специалисту по дверным системам.

## 18 Подключение к сети питания

Чтобы не затруднять установку, не запускайте привод гаражных ворот сейчас.

Чтобы снизить риск поражения электрическим током, привод гаражных ворот должен быть оснащен заземляющей вилкой. Такая вилка вставляется только в розетку с заземляющим контактом. Если вилка не вставляется в розетку, обратитесь к квалифицированному специалисту, чтобы установить розетку правильного типа.

Существует только один вариант подключения к сети питания:  
ТИПОВАЯ ПРОВОДКА

Подключите привод гаражных ворот к розетке с заземляющим контактом.

## 19 Установка батареи резервного питания (приобретается отдельно)



Чтобы снизить риск ВОЗГОРАНИЯ или НАНЕСЕНИЯ ТРАВМ персоналу, полностью отсоедините устройство от сети питания и батареи резервного питания ПЕРЕД проведением ремонта или обслуживания. Для замены используйте ТОЛЬКО батарею LiftMaster 485EU. ЗАПРЕЩАЕТСЯ сжигать отработанные батареи. Батарея может взорваться. Утилизация отработанных батарей осуществляется в соответствии с требованиями местного законодательства.

В режиме питания от резервной батареи устройства MyQ Smartphone Control и беспроводные устройства MyQ не функционируют. В режиме питания от резервной батареи автоматическая защелка гаражных ворот будет разблокирована после открывания ворот и останется отключенной до восстановления питания.

1. Отсоедините привод гаражных ворот от сети питания.
2. При помощи отвертки снимите крышку батареи привода гаражных ворот.
3. Частично вставьте батарею в отсек клеммами наружу.
4. Подключите провод красного (+) и черного (-) цвета привода гаражных ворот к соответствующим клеммам батареи.
5. Установите крышку батареи.
6. Подключите привод гаражных ворот к сети питания.

### СВЕТОДИОДНЫЙ ИНДИКАТОР СОСТОЯНИЯ БАТАРЕИ (В)

#### СВЕТОДИОДНЫЙ ИНДИКАТОР ЗЕЛЕННОГО ЦВЕТА:

Все системы в норме.

- Светодиодный индикатор зеленого цвета, горящий постоянно, показывает, что батарея полностью заряжена.
- Мерцающий светодиодный индикатор зеленого цвета показывает, что батарея частично разряжена

#### СВЕТОДИОДНЫЙ ИНДИКАТОР ОРАНЖЕВОГО ЦВЕТА:

Привод гаражных ворот отключен от сети питания и находится в режиме питания от батареи резервного питания.

- Светодиодный индикатор оранжевого цвета, горящий постоянно, с одновременной подачей звукового сигнала через каждые 2 секунды показывает, что привод гаражных ворот работает от батареи резервного питания.
- Мерцающий светодиодный индикатор оранжевого цвета с одновременной подачей звукового сигнала через каждые 30 секунд показывает, что батарея полностью разряжена.

#### СВЕТОДИОДНЫЙ ИНДИКАТОР КРАСНОГО ЦВЕТА:

Батарею резервного питания устройства открывания гаражных ворот напряжением 12 В необходимо заменить.

- Светодиодный индикатор красного цвета, горящий постоянно, с одновременной подачей звукового сигнала через каждые 30 секунд показывает, что батарея резервного питания напряжением 12 В полностью разряжена и ее необходимо заменить. Замените батарею, чтобы восстановить функцию питания от батареи.

*ПРИМЕЧАНИЕ: Для восстановления работоспособности устройства открывания гаражных ворот полная зарядка батарей не требуется.*

## 20 Программирование предельных положений



Неправильная регулировка конечных положений отрицательно повлияет на правильную работу защитной системы автоматического возврата. После ЛЮБОЙ регулировки защитную систему автоматического возврата НЕОБХОДИМО проверить. Ворота ДОЛЖНЫ возвращаться в исходное положение в случае контакта с предметом размером 40 мм, находящимся на полу. Чтобы предотвратить повреждение автомобилей, убедитесь, что после полного открывания створ ворот достаточен.

Предельные выключатели предназначены для установки в точках, в которых ворота останутся во время движения вверх и вниз. Отсоедините устройство открывания гаражных ворот от сети питания.

Во время программирования необходимо использовать кнопки вверх и вниз перемещения ворот.

1. Нажмите и удерживайте кнопку регулировки (A) до тех пор, пока индикатор кнопки вверх (U) не начнет мерцать и / или не начнется подача звукового сигнала.
2. Нажмите и удерживайте кнопку вверх (U) до тех пор, пока ворота не окажутся в необходимом верхнем положении.
3. Как только ворота окажутся в необходимом верхнем положении, нажмите и отпустите кнопку регулировки (A). Индикатор устройства открывания гаражных ворот мерцает дважды, затем начинает мерцать кнопка вниз (D).
4. Нажмите и удерживайте кнопку вниз (D) до тех пор, пока ворота не окажутся в необходимом нижнем положении.
5. Как только ворота окажутся в необходимом нижнем положении, нажмите и отпустите кнопку регулировки (A). Светильник привода мерцает дважды, затем начинает мерцать кнопка вверх (U).
6. Нажмите и отпустите кнопку вверх (U). Когда ворота перемещаются в запрограммированное верхнее положение, индикатор кнопки вниз (D) начинает мерцать.
7. Нажмите и отпустите кнопку вниз (D). Ворота переместятся в запрограммированное нижнее положение. Программирование завершено.

Если светильник привода гаражных ворот мерцает 5 раз в процессе программирования конечных положений, время программирования превышено. Если датчик натяжения кабеля не установлен, или обнаружена избыточная слабина кабеля, светильник привода гаражных ворот будет мерцать 5 раз. Убедитесь, что датчик натяжения кабеля установлен правильно, затем выполните последовательность программирования конечных положений. Если светильник привода гаражных ворот мерцает 10 раз в процессе программирования конечных положений, инфракрасные фотозлементы направлены в сторону или перекрыты препятствием. Если датчики установлены правильно и не перекрыты, выполните цикл поднимания и опускания ворот при помощи кнопок вверх и вниз пульта дистанционного управления. Программирование завершено. Если поднимание и опускание ворот не выполняется, повторите последовательность программирования конечных положений.

## 21 Проверка защитной системы автоматического возврата



Если защитная система автоматического возврата не установлена, в процессе закрывания гаражных ворот возможно нанесение СЕРЬЕЗНЫХ ТРАВМ или СМЕРТИ людей (в особенности, маленьких детей). Защитную систему автоматического возврата НЕОБХОДИМО проверять не реже одного раза в месяц. После ЛЮБОЙ регулировки защитную систему автоматического возврата НЕОБХОДИМО проверить. Ворота ДОЛЖНЫ возвращаться в исходное положение в случае соприкосновения с предметом высотой 40 мм, находящимся на полу.

### ТЕСТ

1. Полностью откройте ворота, установите на пол доску высотой 40 мм точно под воротами.
1. Нажмите кнопку пульта дистанционного управления, чтобы закрыть ворота. Возврат ворот ДОЛЖЕН быть выполнен при соприкосновении с доской

### РЕГУЛИРОВКА

Если ворота остановились, но возврат не выполнен:

2. Прочтите инструкции по установке, чтобы убедиться, что все этапы установки выполнены;
3. Повторите последовательность программирования конечных положений (см. Этап регулировки "Пункт 20");
4. Повторите испытание защитного возврата

Если испытание не пройдено многократно, обратитесь к опытному специалисту по дверным системам.

### ПРОВЕРКА ФУНКЦИЙ ЗАЩИТЫ:

Проведите испытание защитной системы автоматического возврата после:

- Изменения положения предельных выключателей.
- Ремонта или регулировки ворот (включая пружины и крепеж).
- Ремонта или укрепления пола.
- Ремонта или регулировки устройства открывания гаражных ворот.

## 22 Чтобы открыть ворота вручную



По возможности, используйте рукоятку аварийного отключения, чтобы отключить ворота, ТОЛЬКО когда ворота гаража ЗАКРЫТЫ. Ослабленные, неисправные пружины или дисбаланс ворот могут привести к быстрому и / или неожиданному падению открытых ворот. НИКОГДА не используйте рукоятку аварийного отключения, если в зоне закрывания гаражных ворот находятся люди и препятствия.

Перед началом работ откройте замки ворот. По возможности, ворота должны быть полностью закрыты. Опустите рукоятку аварийного отключения до щелчка привода ворот и поднимите ворота руками. Чтобы подключить ворота к приводу, опустите рукоятку аварийного отключения еще раз до щелчка устройства открывания. Ворота будут подключены во время следующей операции поднимания или опускания.

### ПРОВЕРКА АВАРИЙНОГО ОТКЛЮЧЕНИЯ

1. Убедитесь, что ворота закрыты.
2. Потяните рукоятку аварийного отключения. После этого ворота должны открываться вручную.
3. Снова закройте ворота.
4. Потяните рукоятку еще раз.
5. Подключите ворота к устройству открывания.

## 23 Эксплуатация привода гаражных ворот

### СВОЙСТВА

Привод гаражных ворот снабжено средствами управления устройством.

### СИГНАЛ НА ОТКРЫВАНИЕ

Эта функция (Alert-to-Close) является средством визуального оповещения об автоматическом закрывании ворот.

### ТАЙМЕР ЗАКРЫВАНИЯ (ТТС)

Функцией ТТС осуществляется автоматическое закрывание ворот после истечения указанного периода времени, который можно изменить с помощью функции ТТС управления воротами (необходимы фотоэлементы моделей 771EV / 772E / 771EVK / G770E). Перед и во время закрывания ворот светильник привода мерцает.

### ВКЛЮЧЕНИЕ ФУНКЦИИ ТТС:

1. Нажмите и отпустите кнопку запоминания желтого цвета (L) 4 раза.
2. Светодиодный индикатор запоминания желтого цвета горит
3. Выбор интервала осуществляется путем циклического выбора значений OFF (выкл.) /1/5/10 минут кнопками вверх (U) и вниз (D). После выбора индикатор желтого цвета мерцает. Например, если выбран интервал 5 минут, в качестве подтверждения индикатор желтого цвета мерцает 5 раз.
4. Нажмите прямоугольную кнопку регулировки (A), чтобы сохранить настройку и выйти из режима программирования ТТС. После завершения активации светильник мерцает один раз в качестве подтверждения. Во время программирования функции ТТС необходимо нажимать следующую кнопку после предыдущей не позднее чем через 30 секунд, в противном случае осуществляется выход из режима программирования функции ТТС. Если время программирования истекло, осуществляется возврат к предыдущим настройками функции ТТС, а светильник мерцает ПЯТЬ раз.

Чтобы выйти из режима программирования ТТС без сохранения настроек, нажмите и отпустите кнопку запоминания (L) еще раз.

### ИЗМЕНЕНИЕ ИНТЕРВАЛА ФУНКЦИИ ТТС:

1. Нажмите кнопку запоминания (L) 4 раза.
2. Выбор интервала осуществляется путем циклического выбора значений OFF (выкл.) /1/5/10 минут кнопками вверх (U) и вниз (D). После выбора индикатор желтого цвета мерцает.
3. Нажмите прямоугольную кнопку регулировки (A), чтобы сохранить настройку и выйти из режима программирования ТТС. После завершения настройки светильник мерцает ОДИН раз в качестве подтверждения.

### ОТКЛЮЧЕНИЕ ФУНКЦИИ ТТС:

1. Нажмите кнопку запоминания (L) желтого цвета 4 раза.
2. Нажмите кнопку регулировки один раз, чтобы сохранить настройку.
3. После отключения функции светильник мерцает ОДИН раз в качестве подтверждения.

Если функция ТТС активна и выполняется отсчет таймера, а затем происходит прерывание инфракрасных лучей ледует перезапуск таймера ТТС и отсчет начинается с начала.

## ФУНКЦИЯ MYQ

Функция MyQ позволяет управлять приводом гаражных ворот с мобильного устройства или компьютера из любого места. Технологией MyQ предусматривается использование радиосигнала для обеспечения двухстороннего обмена между приводом гаражных ворот и устройствами, поддерживающими функцию MyQ. Привод гаражных ворот снабжен внутренним шлюзом, который позволяет ему подключаться непосредственно к домашней сети Wi-Fi® и получать доступ к учетной записи MyQ.

## ИНФРАКРАСНЫЕ ФОТОЭЛЕМЕНТЫ

При правильном подключении и выравнивании инфракрасные фотоэлементы обнаруживают препятствия на пути перемещения с помощью электронного луча. Если препятствие прерывает инфракрасный луч во время закрытия ворот, ворота останавливаются и возвращаются в полностью открытое положение, а светильник мерцает 10 раз. Если ворота полностью открыты и инфракрасные фотоэлементы установлены, но не совмещены / не выровнены, закрытие ворот с помощью пульта дистанционного управления невозможно. Однако можно закрыть ворота, если удерживать кнопку управления воротами или при помощи устройства бесключевого доступа до полного закрытия ворот. Инфракрасные фотоэлементы не влияют на цикл открывания.

## ЭКОНОМИЯ ЭЛЕКТРОЭНЕРГИИ

Для экономии электроэнергии осуществляется перевод привода гаражных ворот в режим ожидания после полного закрытия. В режиме ожидания привод гаражных ворот отключается до приведения в активное состояние. Режим ожидания взаимосвязан с светильником привода гаражных ворот так, что если индикатор устройства не горит, индикаторы датчиков также не горят, и каждый раз, когда индикатор устройства открывания гаражных ворот горит, индикаторы датчиков также горят. Привод гаражных ворот не переходит в режим ожидания до тех пор, пока не будет выполнено 5 циклов открывания-закрывания после включения питания.

## СВЕТИЛЬНИК

Светильник привода гаражных ворот включается после первоначального включения привода, восстановления питания или после приведения устройства в активное состояние. Светильник выключается автоматически через 4,5 минуты.

## СВЕТОВОЕ ОПОВЕЩЕНИЕ

Привод гаражных ворот снабжен дополнительной функцией включения света, если кто-то проходит через открытые гаражные ворота и разрывает инфракрасный луч. Для обеспечения этой функции необходимо установить инфракрасные фотоэлементы 771EV / 772E / 771EVK / G770E.

## БАТАРЕЯ РЕЗЕРВНОГО ПИТАНИЯ (ДОПОЛНИТЕЛЬНО)

Система резервного питания позволяет открывать и закрывать гараж даже при отсутствии питания. Если привод гаражных ворот работает от батареи резервного питания, скорость его работы ниже, светильник не работает, индикатор состояния батареи постоянно горит оранжевым цветом, и, приблизительно каждые 2 секунды осуществляется подача звукового сигнала.

## УПРАВЛЕНИЕ ПРИВОДОМ ГАРАЖНЫХ ВОРОТ

Управление приводом гаражных ворот осуществляется настенным пультом управления, пультом дистанционного управления, устройством бесключевого доступа или устройством, поддерживающим функцию MyQ. Во время управления приводом пультом дистанционного управления или настенным пультом осуществляется:

- закрытие полностью открытых ворот
- открывание полностью закрытых ворот
- остановка ворот во время открывания или закрытия
- перемещение ворот в направлении, противоположном последнему выполненному перемещению, если ворота частично открыты.

Если обнаружено препятствие на пути движения ворот или инфракрасный луч прерван во время открывания, ворота будут остановлены.

Если приводом гаражных ворот в процессе закрытия обнаружено препятствие, выполняется возврат ворот в положение открывания.

Если препятствием прерван инфракрасный луч фотоэлемента, светильник мерцает 10 раз. Однако можно закрыть ворота, если удерживать кнопку управления воротами или при помощи устройства бесключевого доступа до полного закрытия ворот. Инфракрасные фотоэлементы не влияют на цикл открывания.

## СЧЕТЧИК ЦИКЛОВ. Активация и считывание:

1. Отсоедините привод от сети питания.
2. Нажмите кнопку регулировки (A) и запоминания (L) и удерживайте их о время восстановления подачи питания.
3. Индикатор кнопки вверх (U) мерцает ОДИН раз после выполнения каждой полной тысячи циклов, после нажатия и удержания кнопки регулировки (A) и кнопки запоминания (L). Например, если устройством выполнено 8756 циклов, индикатор UP мерцает 8 раз.

Чтобы повторить считывание, отсоедините устройство от сети питания и выполните последовательность еще раз.

## ПРОГРАММИРОВАНИЕ ПУЛЬТА Д/У К СВЕТИЛЬНИКУ (с консолью 78EV):

Позволяет программирование пульта д/у к светильнику через настенную многофункциональную консоль:

1. Одновременно нажмите и удерживайте кнопки LIGHT и LOCK на консоли.
2. Пока эти кнопки нажаты, нажмите и удерживайте одну из кнопок на пульте д/у до однократного мерцания светильника.
3. После однократного мерцания светильника отпустить все кнопки.

## РЕЖИМ ПРОДОЛЖИТЕЛЬНОГО ОТКЛЮЧЕНИЯ (с консолью 78EV).

Если эта функция активна, переносной пульт дистанционного управления не работает. См. инструкции консоли 78EV.

**УСТРОЙСТВО БЕСКЛЮЧЕВОГО ДОСТУПА** (необходима беспроводная клавиатура 747EV):  
Обеспечивает доступ в гараж через 4-значный цифровой код.

**ВРЕМЕННЫЙ ДОСТУП** (необходима беспроводная клавиатура 747EV):  
Можно ввести временный код, который позволяет входить в гараж в ограниченном режиме (по времени или по количеству открываний).

**ФУНКЦИЯ ЗАКРЫВАНИЯ ОДНОЙ КНОПКОЙ** (необходима беспроводная клавиатура 747EV):  
Без кода доступа ворота можно закрыть из любого положения (открывание возможно через 4-значный цифровой код).

## **24 Подключение к вашему смартфону**

Привод гаражных ворот с интерфейсом Wi-Fi® может взаимодействовать с 16 устройствами, поддерживающими функцию MyQ. К внутреннему шлюзу привода гаражных ворот с интерфейсом Wi-Fi можно подключить до 10 устройств. Этими устройствами можно управлять при помощи приложения MyQ. К этим устройствам относятся приводы гаражных ворот MyQ, приводы гаражных ворот Wi-Fi, ветильники с функцией MyQ, приводы ворот MyQ. Интернет-шлюз LiftMaster 828EV можно установить, если с помощью приложения MyQ необходимо контролировать более 10 устройств. Напрямую к приводу гаражных ворот можно подключить до 6 устройств (под управлением привода гаражных ворот). Это могут быть светильники с функцией MyQ в любом сочетании или монитор гаражных и внешних ворот.

### **Вам понадобятся:**

- Смартфон с подключением Wi-Fi, планшет или ноутбук
- Широкополосное подключение к Интернет
- Сигнал Wi-Fi в гараже (требуется 2,4 ГГц, 802.11b / g / n)
- Пароль для вашей домашней сети (основная учетная запись маршрутизатора, не гостевая сеть)
- Серийный номер MyQ, нанесенный на привод
- Инфракрасные фотоэлементы (приобретаются отдельно)
- Светильник MyQ Remote LED Light (входит в объем поставки)

### **СИНХРОНИЗАЦИЯ КОНСОЛИ УПРАВЛЕНИЯ ВОРОТАМИ**

Чтобы синхронизировать консоль 78EV с приводом гаражных ворот, нажимайте кнопку включения на консоли (может потребоваться до 3 нажатий). До приведения интерфейса Wi-Fi в рабочее состояние привод должен выполнить полный цикл открывания / закрывания.

### **ПОДКЛЮЧЕНИЕ ПРИВОДА К ДОМАШНЕЙ СЕТИ WI-FI**

1. Нажмите и отпустите кнопку запоминания желтого цвета (L) на приводе 3 раза. Привод подаст однократный звуковой сигнал. С этого момента в течение 20 минут необходимо выполнить подключение.
2. На мобильном устройстве выберите настройки > Wi-Fi и выберите сеть с префиксом "MyQ".
3. Откройте веб-браузер смартфона или планшета. В поле адреса браузера введите [setup.myqdevice.com](http://setup.myqdevice.com). Выполняйте экранные инструкции, чтобы установить соединение привода с домашней сетью Wi-Fi. Серийный номер MyQ отображается на экране. Запишите серийный номер в поле ниже.

4. Загрузите приложение MyQ с помощью магазина App Store® или Google Play™. Зарегистрируйте учетную запись MyQ и присвойте серийный номер MyQ своей учетной записи.

Чтобы добавить второй Wi-Fi привод гаражных ворот, повторите шаги 1-3. Присвойте второй серийный номер MyQ своей учетной записи в приложении MyQ.

*ПРИМЕЧАНИЯ: Приложение MyQ Smartphone Control НЕ работает, если питание привода гаражных ворот осуществляется от батареи резервного питания. Чтобы удалить настройки Wi-Fi, см. стр. 16.*

Состояние интерфейса Wi-Fi отображается при помощи индикатора (A). См. таблицу ниже

<b>СВЕТОДИОД</b>	<b>ОПИСАНИЕ</b>
<b>СИНИЙ</b>	Не горит - интерфейс Wi-Fi не включен. Мерцает - привод гаражных ворот находится в режиме настройки интерфейса Wi-Fi. Горит постоянно - К приводу ворот подключено мобильное устройство.
<b>СИНИЙ И ЗЕЛЁНЫЙ</b>	Мерцает - Попытка подключения к маршрутизатору.
<b>ЗЕЛЁНЫЙ</b>	Мерцает - Попытка подключения к серверу интернет. Горит постоянно - Интерфейс Wi-Fi настроен, и привод гаражных ворот подключено к сети интернет

## **25** Программирование привода и пульта дистанционного управления / беспроводной кнопки / беспроводной клавиатуры (дополнительно)

Управляйте приводом, только если ворота полностью видны, свободны от препятствий и правильно отрегулированы. Не допускается вход и выход из гаража во время движения ворот. Не допускается доступ детей к кнопкам или пультам дистанционного управления. Не допускаются игры детей вблизи гаражных ворот. Приемник устройства открывания гаражных ворот и пульты дистанционного управления предварительно запрограммированы. Если вы приобрели дополнительные пульты дистанционного управления, необходимо выполнить программирование привода гаражных ворот, чтобы принять код пульта дистанционного управления.

### ПРОГРАММИРОВАНИЕ ПРИЕМНИКА ДЛЯ ПОДКЛЮЧЕНИЯ ДОПОЛНИТЕЛЬНЫХ ПУЛЬТОВ ДИСТАНЦИОННОГО УПРАВЛЕНИЯ:

#### ИСПОЛЬЗОВАНИЕ КРУГЛОЙ КНОПКИ ЖЕЛТОГО ЦВЕТА

1. Нажмите и отпустите круглую кнопку желтого цвета (L) на приводе. Индикатор запоминания горит непрерывно в течение 30 секунд.
2. В течение 30 секунд нажмите и удерживайте кнопку переносного пульта дистанционного управления, с помощью которой вы хотите управлять гаражными воротами.
3. Отпустите кнопку после однократного мерцания светильника. Код сохранен в памяти привода. Теперь привод будет работать после нажатия кнопки пульта дистанционного управления. Если отпустить кнопку пульта дистанционного управления до мерцания светильника, код в памяти привода сохранен не будет.

#### УСТРОЙСТВО БЕСКЛЮЧЕВОГО ДОСТУПА

1. Нажмите и отпустите круглую кнопку желтого цвета (L) привода. Индикатор запоминания горит непрерывно в течение 30 секунд.
2. Введите 4-значный цифровой персональный идентификационный номер (PIN) по своему выбору на клавиатуре устройства бесключевого доступа.
3. Затем нажмите кнопку ENTER.
4. После завершения программирования светильник мерцает (или слышно два щелчка). Повторите шаги, описанные выше, для программирования дополнительных пультов дистанционного управления или устройств бесключевого доступа. Если программирование завершается безуспешно, выполните программирование пульта дистанционного управления с помощью кнопки запоминания.

#### ЧТОБЫ УДАЛИТЬ ВСЕ КОДЫ ПУЛЬТОВ ДИСТАНЦИОННОГО УПРАВЛЕНИЯ

Чтобы отключить все ненужные пульты дистанционного управления, сначала удалите все коды: Нажмите и удерживайте круглую кнопку желтого цвета на приводе, пока индикатор запоминания не прекратит гореть (прибл. 10 секунд). Теперь все ранее сохраненные коды удалены. Заново выполните программирование пультов или устройств бесключевого доступа, которые необходимо использовать.

## **26** Программирование светильника MyQ Remote LED Light

Светильник привода гаражных ворот запрограммирован на заводе для работы с приводом. Дополнительные или сменные светильники необходимо программировать отдельно.

#### СОЕДИНЕНИЕ ПРИВОДА ГАРАЖНЫХ ВОРОТ И СВЕТИЛЬНИКА MYQ:

1. Нажмите и удерживайте кнопку запоминания (L) светильника до включения индикатора запоминания зеленого цвета.
2. Нажмите кнопку запоминания (L) привода гаражных ворот.
3. После однократного мерцания светильника код сохраняется.

#### СОЕДИНЕНИЕ ПУЛЬТА ДИСТАНЦИОННОГО УПРАВЛЕНИЯ И СВЕТИЛЬНИКА MYQ:

1. Нажмите и удерживайте кнопку запоминания (L) светильника до включения индикатора запоминания зеленого цвета.
2. Нажмите кнопку пульта дистанционного управления, которой необходимо управлять светильником.
3. После однократного мерцания светильника код сохраняется.

Чтобы выполнить подключение светильника к другим устройствам, обратитесь к руководству конкретного устройства.

#### ДОБАВЛЕНИЕ СВЕТИЛЬНИКА MYQ REMOTE LED LIGHT В УЧЕТНУЮ ЗАПИСЬ MYQ

1. Нажмите и удерживайте кнопку запоминания (L) светильника до включения индикатора запоминания зеленого цвета.
2. Войдите в приложение MyQ и добавьте светильник MyQ Remote LED Light.

#### ЧТОБЫ УДАЛИТЬ ВСЕ НАСТРОЙКИ ИЗ ПАМЯТИ СВЕТИЛЬНИКА MYQ REMOTE LED LIGHT

1. Нажмите и удерживайте кнопку запоминания (L), пока светодиодный индикатор не прекратит гореть (6-10 секунд). Теперь все настройки удалены.



## 27 Чтобы очистить память

### УДАЛЕНИЕ ВСЕХ ПУЛЬТОВ ДИСТАНЦИОННОГО УПРАВЛЕНИЯ И УСТРОЙСТВ БЕСКЛЮЧЕВОГО ДОСТУПА

1. Нажмите и удерживайте кнопку запоминания (L) привода гаражных ворот, пока индикатор запоминания не прекратит гореть (прибл. 6 секунд). Теперь все коды пультов дистанционного управления и устройств бесключевого доступа удалены. При необходимости выполните программирование нужных устройств заново.

### УДАЛЕНИЕ ВСЕХ УСТРОЙСТВ (ВКЛЮЧАЯ УСТРОЙСТВА, ПОДДЕРЖИВАЮЩИЕ ФУНКЦИЮ MYQ)

1. Нажмите и удерживайте кнопку запоминания (L) привода гаражных ворот, пока индикатор запоминания не прекратит гореть (прибл. 6 секунд).
2. Сразу нажмите и удерживайте кнопку запоминания еще раз, пока светодиодный индикатор запоминания не погаснет. Теперь все коды удалены. При необходимости выполните программирование нужных устройств заново.

### УДАЛЕНИЕ НАСТРОЙКИ СЕТИ WI-FI ИЗ ПАМЯТИ ПРИВОДА ГАРАЖНЫХ ВОРОТ

1. Нажмите и удерживайте кнопку настройки (A) черного цвета привода гаражных ворот до тех пор, пока не будет подано три звуковых сигнала (прибл. 6 секунд).

### УДАЛЕНИЕ УЧЕТНОЙ ЗАПИСИ MYQ

Чтобы удалить учетную запись MyQ, зайдите на веб-сайт [myliftmaster.eu](http://myliftmaster.eu)

## 28 Обслуживание привода гаражных ворот

### ГРАФИК ОБСЛУЖИВАНИЯ

#### МЕСЯЧНОЕ ОБСЛУЖИВАНИЕ

- Откройте и закройте ворота вручную. Если обнаружен дисбаланс или застревание, обратитесь к опытному специалисту по дверным системам.
- Убедитесь, что ворота открываются и закрываются полностью. При необходимости отрегулируйте предельные положения (см. п. 20 "Программирование перемещения").
- Повторите испытание защитного возврата. Выполните необходимые регулировки (см. п. 21 "Проверка защитной системы автоматического возврата").

#### ГОДОВОЕ ОБСЛУЖИВАНИЕ

- Выполните смазку роликов ворот, подшипников и петель. Дополнительная смазка привода гаражных ворот не требуется. Смазка направляющих ворот не допускается.

#### СВЕТИЛЬНИК MYQ REMOTE LED LIGHT

- Перед чисткой отключите светильник от сети питания.
- Выполните чистку влажной тканью.
- ЗАПРЕЩАЕТСЯ использовать жидкие очистители для промывки линзы индикатора

## 29 Замена батарей пульта дистанционного управления

### Батарея пульта дистанционного управления:

Срок службы батарей пульта дистанционного управления чрезвычайно продолжительный. Если диапазон передачи сигнала уменьшается, батареи необходимо заменить. Гарантия на батареи не предоставляется.

#### Выполните следующие инструкции, связанные с батареями:

Запрещается утилизировать батареи вместе с бытовыми отходами. В соответствии с законодательством утилизация батарей осуществляется с привлечением специализированных организаций. Запрещается перезаряжать батареи, которые не предназначены для повторной перезарядки.

#### Опасность взрыва!

Берегите батареи от детей. Запрещается закорачивать контакты батарей или разбирать их. В случае проглатывания батареи немедленно обратитесь к врачу. При необходимости, очистите контакты батарей и устройств перед установкой. Полностью разряженные батареи снимайте с устройства немедленно!

#### Повышенный риск вытекания электролита!

Запрещается подвергать батареи избыточному нагреванию, например под воздействием солнечных лучей, огня и т.п.! Это увеличивает риск вытекания электролита! Не допускайте попадания электролита на кожу, в глаза и на слизистые оболочки. Промойте пораженную часть тела большим количеством холодной воды и немедленно обратитесь к врачу. Используйте только одинаковые батареи. Снимайте батареи с устройства, если оно не используется продолжительное время.

#### Замена батарей:

Чтобы заменить батарею, переверните пульт дистанционного управления и откройте корпус отверткой. Снимите крышку и поднимите панель управления, находящуюся под ней. Сдвиньте батарею в сторону и снимите. Соблюдайте полярность батарей! Установка осуществляется в обратном порядке. **ВНИМАНИЕ!** Опасность взрыва в случае неправильной замены батареи. Заменяйте батарею аналогичной батареей (CR2032) 3 В

## 30 Утилизация

Упаковку можно утилизировать вместе с бытовыми отходами. В соответствии с Европейской Директивой 2002/96/ЕС об утилизации электрооборудования после завершения эксплуатации это устройство должно быть утилизировано для последующего повторного использования материалов, из которых оно изготовлено.



Запрещается утилизировать старые аккумуляторы и батареи вместе с бытовыми отходами, поскольку они содержат опасные материалы и должны быть правильно утилизированы с привлечением специализированных организаций или собраны в специальных контейнерах. Необходимо выполнять требования нормативов конкретной страны. Компоненты должны быть утилизированы с привлечением специализированной организации. Необходимо выполнять требования местного и федерального законодательства. Запрещается утилизировать компоненты привода, снятые с эксплуатации, вместе с бытовыми отходами. Информацию о способах утилизации можно получить в надзорном органе (администрации) или в специализированной организации.

## 31 Диагностика

Привод гаражных ворот снабжен средствами самодиагностики. Диагностические коды отображаются индикаторами кнопок вверх и вниз.

КОД	СИМПТОМ	СПОСОБ УСТРАНЕНИЯ	
Стрелка вверх Мерцает	Стрелка вниз Мерцает		
1	1	Закрывание ворот приводом не выполняется, индикатор мерцает.	Если установлены инфракрасные фотозлементы, они не подключены или обрыв проводов. Проверьте проводку датчиков на возможное отсоединение или обрыв.
1	2	Закрывание ворот приводом не выполняется, индикатор мерцает.	Разрыв или неправильная полярность проводки инфракрасных фотозлементов. Проверьте проводку фотозлементов во всех местах креплений и соединений и, при необходимости, замените или восстановите проводку.
1	3	Не работает пульт управления воротами.	Короткое замыкание в проводке пульта управления или пульт управления неисправен. Проверьте проводку пульта управления во всех местах креплений и соединений и, при необходимости, замените или восстановите проводку.
1	4	Закрывание ворот приводом не выполняется, индикатор мерцает.	Если инфракрасные фотозлементы установлены, они не выровнены или заграждены препятствием. Выполните совмещение обоих датчиков, убедитесь, что светодиоды постоянно горят, а не мерцают. Убедитесь в отсутствии посторонних предметов, установленных или подвешенных на воротах, которые могут оказаться напротив датчиков во время закрывания ворот.
1	5	Ворота после перемещения на 15-20 см останавливаются, или выполняется возврат.	Вручную откройте и закройте ворота. Проверьте возможные причины застревания или наличие препятствий, например, разрушение пружины или замка, при необходимости, устраните неполадки. Проверьте соединения проводки модуля управления перемещением и платы управления. При необходимости, замените модуль управления перемещением.
1	5	Ворота не двигаются, слышен звук одиночного щелчка.	Вручную откройте и закройте ворота. Проверьте возможные причины застревания или наличие препятствий, например, разрушение пружины или замка, при необходимости, устраните неполадки. При необходимости, замените плату управления.
1	5	Устройство открывания ворот издает шум в течение 1-2 с, ворота не двигаются.	Вручную откройте и закройте ворота. Проверьте возможные причины застревания или наличие препятствий, например, разрушение пружины или замка, при необходимости, устраните неполадки. При необходимости, замените двигатель.
1	6	После полной остановки двигатель продолжает работать.	Выполните регулировку конечных положений или обратитесь к опытному специалисту для выполнения балансировки ворот.
2	1-5	Ворота не двигаются, или возникает посторонний шум.	Замените плату управления.
3	1	Привод немного перемещается, затем останавливается.	Еще раз включите привод гаражных ворот. Если неисправность не устранена, замените плату управления.

DIAGNOSTIC CODE		SYMPTOM	SOLUTION
Up Arrow Flash(es)	Down Arrow Flash(es)		
3	3	Индикатор батареи непрерывно мерцает зеленым цветом.	Ошибка цепи зарядки батареи резервного питания, замените плату управления.
3	5	Закрывание ворот приводом не выполняется, или выполняется возврат в процессе движения.	Если установлено два датчика натяжения кабеля, а затем один из них снят, отключите и включите устройство открывания три раза подряд, чтобы сохранить в памяти устройства открывания информацию о единственном датчика натяжения. Проверьте и устранили возможные препятствия на пути движения ворот. Убедитесь, что датчик натяжения кабеля правильно подключен к устройству открывания. Замените датчик натяжения кабеля.
4	1-4	Ворота останавливаются во время движения. и выполняется возврат.	Вручную откройте и закройте ворота. Проверьте возможные причины застревания или наличие препятствий, например, разрушение пружины или замка, при необходимости, устраните неполадки. Если обнаружено застревание, обратитесь к опытному специалисту по дверным системам. Если застревание ворот не обнаружено, попытайтесь заново выполнить программирование перемещения.
4	5	Устройство открывания двигается 15-20 см,затем останавливается, и выполняется возврат.	Ошибка связи с модулем перемещения. Проверьте соединения модуля перемещения, при необходимости, замените модуль.
4	6	Закрывание ворот приводом не выполняется, светильник мерцает.	Инфракрасные фотозлементы не выровнены или заграждены препятствием. Выполните совмещение обоих датчиков, убедитесь, что светодиоды постоянно горят, а не мерцают. Убедитесь в отсутствии посторонних предметов, установленных или подвешенных на воротах, которые могут оказаться напротив датчиков во время закрывания ворот.
5	5	Ворота не закрываются во время использования функции таймер закрывания или управления со смартфона.	Для использования функций ТТС или MyQ для управления воротами необходимо установить светильник MyQ Remote LED Light. Подключите вешильник MyQ Remote LED Light и убедитесь, что привод настроен для работы с индикатором™.

## 32 Устранение неполадок

### Привод не работает с проводного или дистанционного пульта управления:

- Проверьте подключен ли привод к сети питания? Включите лампу в розетку питания. Если она не горит, проверьте предохранитель или положение выключателя. (Некоторые розетки отключаются настенными выключателями.)
- Все замки ворот открыты? См. предупреждения в инструкции по установке, стр 5.
- Проводка в порядке?
- Нет ли наледи или снега под воротами? Ворота могут примерзнуть к грунту. Устраните все препятствия.
- Пружина устройства открывания гаражных ворот разрушена Замените пружину (см. п. 3 Планирование).

### Привод работает от однонопочной станции управления, но не работает от пульта дистанционного управления:

- Заново выполните программирование пульта дистанционного управления и, при необходимости, замените батарею. Выполните то же самое для всех пультов дистанционного управления.

### Ворота открываются и закрываются произвольно:

- Убедитесь, что на пульте дистанционного управления нет нажатых кнопок.
- Снимите провод с клеммы однонопочной станции управления и попытайтесь управлять воротами с пульта дистанционного управления. Если неполадка устранена - неисправна однонопочная станция управления, или присутствует переменное замыкание проводки. Замените станцию управления.
- Очистите память и заново выполните программирование всех пультов дистанционного управления (см. инструкции пульта дистанционного управления или обратитесь на веб-сайт LiftMaster.eu).

### Гаражные ворота не работают с пульта дистанционного управления:

- Убедитесь, что замки не включены с пульта управления воротами.
- Заново выполните программирование пульта дистанционного управления.
- Если после этого пульт дистанционного управления не работает, проверьте наличие диагностических кодов, чтобы гарантировать, что устройство открывания гаражных ворот работает правильно.

#### **Узкий диапазон действия пульта дистанционного управления:**

- Переместите пульт дистанционного управления внутри автомобиля.
- В некоторых вариантах исполнения диапазон может быть уменьшен из-за металлических ворот, листовой изоляции кронштейнов или металлической отделки поверхности гаража.

#### **Ворота не открываются полностью:**

- Проверьте питание замка ворот.
- Нет ли препятствий на пути перемещения ворот? Нет ли дисбаланса ворот или разрушения пружины? Устраните препятствия или отремонтируйте ворота.

#### **Ворота открываются, но не закрываются:**

- Убедитесь, что датчик натяжения кабеля установлен правильно. Если снят второй датчик натяжения кабеля, заново выполните программирование привода для одного датчика натяжения в соответствии с инструкциями (см. п. 14).
- Необходимо установить и совместить инфракрасные фотоэлементы до перемещения привода гаражных ворот в нижнее положение. Если закрывание ворот возможно под воздействием постоянного давления, убедитесь, что инфракрасные фотоэлементы правильно установлены и выровнены, а также устраните препятствия между ними.
- Если светильник привода гаражных ворот мерцает, проверьте инфракрасные фотоэлементы.
- Если светильник привода гаражных ворот не мерцает, и неисправность обнаружена в процессе монтажа новой установки, см. п. 14. Если неисправна действующая установка, см. далее.  
После завершения регулировки выполните проверку защитного автоматического возврата.

#### **Возврат ворот выполняется по непонятной причине, светильник привода гаражных ворот не мерцает:**

- Убедитесь, что датчик натяжения кабеля установлен правильно. Если один из датчиков натяжения кабеля снят, отключите оба датчика от устройства открывания. Затем подключите датчик, который необходимо использовать, и включите привод три раза, чтобы адаптировать датчик к приводу. Резистор 1к (1кОм) предназначен для выявления и устранения неполадок только датчик натяжения кабеля. В соответствии с EN12453 должен быть установлен датчик натяжения кабеля для надлежащего обнаружения провисания кабеля.
- Нет ли препятствий на пути перемещения ворот? Потяните рукоятку аварийного отключения. Откройте и закройте ворота вручную. Если обнаружен дисбаланс или застревание, обратитесь к опытному специалисту по дверным системам.
- Уберите наледь и снег с пола гаража в месте закрывания ворот.
- См. п. 20.

После завершения регулировки повторите проверку защитного автоматического возврата.

#### **Ворота не закрываются, индикатор мерцает.**

Необходимо установить и совместить инфракрасные фотоэлементы до перемещения привода гаражных ворот в нижнее положение.

- Убедитесь в правильности установки и совмещения инфракрасных фотоэлементов, устраните все препятствия.

#### **Управление воротами устройством выполняется с большим усилием:**

- Возможен дисбаланс ворот или разрушение пружины. Закройте ворота и рукояткой аварийного отключения отключите ворота. Вручную откройте и закройте ворота. Правильно сбалансированные ворота должны остаться на месте в любой точке движения под воздействием пружин. Если ворота не останавливаются, отключите устройство и обратитесь к опытному специалисту по дверным системам.

#### **Двигатель привода гаражных ворот издает кратковременный шум, затем не работает:**

- Пружины устройства открывания гаражных ворот разрушены См. выше.
- Если неисправность возникла во время первоначального запуска привода гаражных ворот, ворота могут быть на замке. Отключите питание замка ворот.

#### **Привод гаражных ворот не работает из-за отсутствия питания:**

- Вручную откройте замок ворот.
- Рукояткой аварийного отключения отключите ворота. Ворота можно открывать и закрывать вручную. После восстановления сети питания, еще раз потяните рукоятку отключения.
- Отключите замки ворот. Рукояткой аварийного отключения отключите ворота. Ворота можно открывать и закрывать вручную.

#### **Предельные положения ворот сбиваются**

- Муфта не затянута. Затяните муфту и заново выполните программирование предельных положений (см. п. 20).

#### **Привод гаражных ворот перемещается, когда ворота находятся в движении:**

- Для этого механизма небольшое перемещение является нормальным. В случае избыточного перемещения возникнет преждевременный износ муфты.
- Убедитесь, что торсионный стержень не перемещается влево / вправо слишком сильно или вверх и вниз во время вращения
- Убедитесь, что привод установлен под правильным углом к полуоси. В противном случае измените положение монтажного кронштейна

**Разъем автоматической защелки ворот не соответствует вилке устройства:**

- Предыдущая модель защелки 24V не совместима с воротами. Установите автоматическую защелку модели 841EU, см. "Дополнительные Принадлежности"

**Автоматическая защелка гаражных ворот не действует во время открывания или закрывания ворот:**

- В режиме питания от резервной батареи автоматическая защелка гаражных ворот будет разблокирована после открывания ворот и останется отключенной до восстановления питания.

**Привод подает звуковой сигнал:**

- Указывает на неконтролируемое закрывание. Запуск привода выполнен с помощью приложения MyQ App или с помощью функции Garage and Gate Monitor.
- Светодиодный индикатор оранжевого цвета, горящий постоянно, с одновременной подачей звукового сигнала через каждые 2 секунды показывает, что привод гаражных ворот работает от батареи резервного питания.
- Мерцающий светодиодный индикатор оранжевого цвета с одновременной подачей звукового сигнала через каждые 30 секунд показывает, что батарея полностью разряжена.
- Светодиодный индикатор красного цвета, горящий постоянно, с одновременной подачей звукового сигнала через каждые 30 секунд показывает, что батарея резервного питания напряжением 12 В полностью разряжена и ее необходимо заменить
- 

**Привод осуществляет подачу звукового сигнала, а сигнальный индикатор красного цвета мерцает:**

ТБатарея не заряжена или неисправна.

Замените батарею

**Устройство MyQ Smartphone Control, беспроводные устройства с поддержкой функции MyQ и функции таймер закрытия не работают:**

- В режиме питания от резервной батареи устройства MyQ Smartphone Control, беспроводные устройства с поддержкой функции MyQ и функции таймер закрытия отключены.
- Для использования функций таймер закрытия или MyQ Smartphone Control для управления воротами необходимо установить светильник MyQ Remote LED Light. Подключите светильник MyQ Remote LED Light и убедитесь, что привод гаражных ворот настроен для работы с ним. Включение функций таймер закрытия и MyQ Smartphone Control может занять до 5 минут.

### 33 Дополнительные аксессуары

Всегда используйте аксессуары от компании LiftMaster.

Принадлежности, изготовленные другими изготовителями, могут привести к неполадкам.

1.	TX4UNIF	4-канальный универсальный пульт дистанционного управления
2.	TX4EVS	4-канальный пульт дистанционного управления
3.	TX4UNI/S	4-канальный универсальный пульт дистанционного управления
4.	128EV	Беспроводной 2-канальный настенный пульт управления
5.	747EV	Клавиатура
6.	78EV	Проводной многофункциональный настенный пульт управления
7.	FLA-1LED	Сигнальная лампа
8.	772E	Инфракрасные фотозлементы
9.	100034	Выключатель с ключом (внутренний)
10.	100041	Выключатель с ключом (с установкой на поверхность)
11.	829EV	Датчик открывания гаражных ворот
12.	485EU	Батарея резервного питания
13.	827EV	Светильник MyQ Remote LED Light
14.	041A9264	Датчик натяжения кабеля
15.	841EU	Автоматическая защелка ворот

### 34 Технические данные

Входное напряжение	230 - 240 В перем. тока, 50 Гц
Макс. крутящий момент	36 Нм - перем. ток + Батарея резервного питания 29 Нм - перем. ток
Номинальный крутящий момент	10 Нм
Мощность	150 Вт
Мощность в режиме ожидания	2,6 Вт
Тип двигателя	Редукторный двигатель пост. тока с непрерывной смазкой
Уровень шума	57дБ
Скорость перемещения	21 об/мин (вниз), 36 об/мин (вверх)
Средства безопасности	Кнопка и автоматический останов во время закрывания. Кнопка и автоматический останов во время открывания.
Электронное управление	Автоматическая регулировка усилия
Электрическая система	Защита трансформатора от перегрузки и проводка кнопки управления низкого напряжения.
Предельный выключатель	Оптический датчик оборотов / прохождения.
Регулировка предельного выключателя	Электронное управление, полуавтоматическое и полностью автоматическое.
Цель запуска	Проводка кнопки управления низкого напряжения.
Макс. высота ворот	3 м
Макс. ширина ворот	5,5 м
Макс. площадь ворот	16,5 м <sup>2</sup>
Макс. коттеджный вес	130 кг
Вес подвешенного груза	11 кг
Регистры памяти приемника	64
Рабочая частота	433 / 868 MHz, 2,4 GHz

## 35 Руководство по технике безопасности и обслуживанию автоматического устройства открывания гаражных ворот

### БЕЗОПАСНОСТЬ УСТРОЙСТВА ОТКРЫВАНИЯ ГАРАЖНЫХ ВОРОТ – ВЫБОР АВТОМАТИЧЕСКОГО РЕЖИМА УПРАВЛЕНИЯ

Гаражные ворота - это самый большой подвижный объект в доме. Неправильно отрегулированные гаражные ворота и устройство открывания могут создавать опасные усилия во время закрывания, которые являются причиной захватывания детей или взрослых с последующим нанесением травм или причинением смерти.

Для обеспечения безопасности и надежности системы необходима правильная установка, эксплуатация, обслуживание и испытания гаражных ворот и автоматического устройства открывания. Небрежное обращение или игры детей с органами управления устройства открывания также опасны, т.к. могут привести к трагическим результатам. Несколько простых мер предосторожности помогут защитить вашу семью и друзей от потенциальной опасности. Внимательно изучите правила техники безопасности и рекомендации по обслуживанию в настоящем руководстве сохраните руководство для дальнейшего использования. Проверьте работоспособность гаражных ворот и устройства открывания, чтобы гарантировать, что они работают безопасно и полностью исправны. Прочтите раздел "Важная информация о безопасности" в руководстве устройства открывания гаражных ворот, т.к. в нем приводится более подробная информация и правила техники безопасности в сравнении с теми, которые приведены в настоящем руководстве. considerations than can be supplied with this brochure.

### Привод гаражных ворот - это не игрушка

Объясните своим детям назначение гаражных ворот и устройства открывания. Расскажите об опасности быть придавленными воротами-



Находитесь вдали от движущихся ворот.



Не допускайте детей к пультам и устройствам дистанционного управления. Не позволяйте детям играть или использовать пульты и другие устройства дистанционного управления.



Настенная кнопка управления не должна быть доступна для детей, она должна располагаться на расстоянии не менее 5 футов от ближайшей опорной поверхности и вдали от любых подвижных деталей. Установите и используйте кнопку в таком месте, из которого хорошо видны закрывающиеся гаражные ворота.



Во время использования настенной кнопки или пульта дистанционного управления **наблюдайте за воротами до полного закрывания.**

## 36 Плановое обслуживание поможет предотвратить несчастные случаи

Ежемесячно проводите обслуживание и проверку гаражных ворот и системы открывания. Прочтите руководство по эксплуатации ворот и устройства открывания. Если у вас нет руководства по эксплуатации, обратитесь к изготовителю за копией руководства конкретной модели. Найдите номер модели устройства открывания с обратной стороны блока питания.



**ПРЕДУПРЕЖДЕНИЕ – Пружины сильно напряжены.**

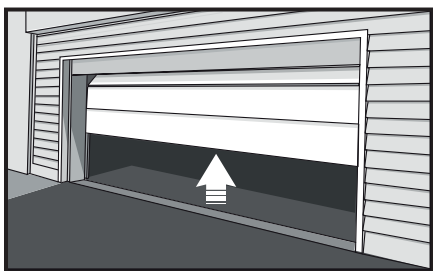
К регулировке пружин допускаются только квалифицированные специалисты.

Осматривайте ворота и установку в целом:



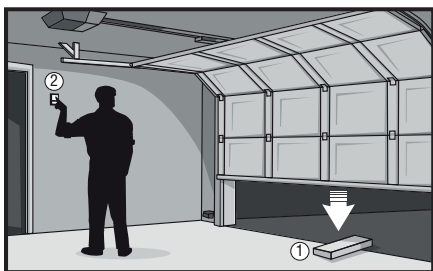
- Начните осмотр с закрытых ворот, отключите устройство открывания от ворот с помощью рукоятки отключения.
- Ищите следы износа или повреждения петель, роликов, пружин и панелей ворот.
- Эти компоненты необходимо периодически смазывать. Рекомендации по обслуживанию см. в руководстве по эксплуатации.
- При обнаружении признаков износа обратитесь за помощью к опытному специалисту по дверным системам.
- Убедитесь, что фотозлементы установлены на высоте не более 10 см от пола гаража.

Проверка правильности работы ворот:



- Откройте и закройте ворота, держась за рукоятки или места, удобные для захвата.
- Ворота должны двигаться свободно без затруднений.
- Ворота должны быть сбалансированы и оставаться открытыми на высоте 3–4 фута от пола.
- При обнаружении признаков неправильной работы обратитесь за помощью к опытному специалисту по дверным системам.

Проверка средств защиты устройства открывания:



- Подключите устройство открывания к воротам с помощью рукоятки открывания и откройте ворота.
- Установите брусок высотой 40 мм в проем ворот (1) попытайтесь закрыть ворота (2). При соприкосновении с бруском ворота должны остановиться и переместиться в обратном направлении.
- Установите любой предмет напротив фотозлемента и попытайтесь закрыть ворота. Ворота не должны закрыться, если настенная кнопка управления воротами не нажата.
- Если ворота работают не так, как описано выше, обратитесь за помощью к опытному специалисту по дверным системам.



## Napomena:

Originalne upute za ugradnju i rukovanje sastavljene su na engleskom jeziku.

Inačice na bilo kojem drugom jeziku prijevod su originalne engleske inačice.

<b>1</b>	Opće smjernice o sigurnosti .....	2
<b>2</b>	Namjena .....	3
<b>3</b>	Priprema za rukovanje vratima .....	3
<b>4</b>	Priprema za rad aplikacije MyQ .....	3
<b>5</b>	Priprema garažnih vrata .....	4
<b>6</b>	Potrebni alati .....	4
<b>7</b>	Inventura pakiranja .....	4
<b>8</b>	Potrebni dodatni pribor .....	4
<b>9</b>	Pričvršćivanje prstena na uređaj za otvaranje garažnih vrata .....	5
<b>10</b>	Pričvršćivanje konzole na uređaj za otvaranje garažnih vrata .....	5
<b>11</b>	Namještanje i postavljanje uređaja za otvaranje garažnih vrata .....	5
<b>12</b>	Pričvršćivanje užeta i ručice za oslobađanje u hitnim slučajevima .....	5
<b>13</b>	Ugradnja automatske brave za vrata .....	6
<b>14</b>	Pričvršćivanje monitora za praćenje napetosti kabela (041A9264) (obvezni dodatak) .....	6
<b>15</b>	Ugradnja LED lampe za MyQ daljinski upravljač (samo u suhim područjima) .....	7
<b>16</b>	Električni priključak .....	7
<b>17</b>	Ugradnja fotočelija .....	7
<b>18</b>	Priključivanje napona .....	8
<b>19</b>	Ugradnja pričuvnog akumulatora (dodatna opcija) .....	8
<b>20</b>	Programiranje kretanja .....	9
<b>21</b>	Provjera sustava za sigurno vraćanje vrata u otvoreni položaj .....	9
<b>22</b>	Ručno otvaranje vrata .....	10
<b>23</b>	Korištenje uređaja za otvaranje garažnih vrata .....	10
<b>24</b>	Povezivanje s vašim pametnim telefonom .....	12
<b>25</b>	Programiranje uređaja i daljinskog upravljača / bežična pritiska tipka / bežična tipkovnica (dodatna opcija) .....	13
<b>26</b>	Programiranje LED lampe za MyQ Remote .....	13
<b>27</b>	Brisanje memorije .....	14
<b>28</b>	Održavanje uređaja za otvaranje garažnih vrata .....	14
<b>29</b>	Zamjena baterija daljinskog upravljača .....	14
<b>30</b>	Zbrinjavanje .....	15
<b>31</b>	Dijagnostička tabela .....	15
<b>32</b>	Uklanjanje kvarova .....	16
<b>33</b>	Dodatni pribor .....	19
<b>34</b>	Tehnički podaci .....	19
<b>35</b>	Vodič za sigurnost i održavanje uređaja za automatsko otvaranje garažnih vrata .....	20
<b>36</b>	Rutinsko održavanje može spriječiti tragediju .....	21

# UPOZORENJE!

## NAJPRIJE PROČITAJTE OVE VAŽNE SIGURNOSNE UPUTE!

### 1 Opće smjernice o sigurnosti

Prije početka ugradnje:

Pročitajte ove upute za rukovanje, a posebice dio o mjerama opreza. Priručnik sačuvajte za kasniju uporabu i proslijedite ga osobi koja će proizvod posjedovati nakon vas. Sljedeći simboli nalaze se ispred uputa, kako bi se izbjegle tjelesne ozljede ili šteta na imovini. Pažljivo pročitajte ove upute.



#### OPREZ

Tjelesna ozljeda ili šteta na imovini



#### OPREZ

Opasnost od električne struje ili napona

#### Važna sigurnosna informacija

Sustav za automatsko otvaranje vrata je tijekom izrade ispitani i dizajniran za siguran rad, ali se njegova sigurnost može jamčiti samo uz strogo pridržavanje sigurnosnih uputa navedenih u nastavku tijekom ugradnje i rukovanja. Ovaj je proizvod smiju ugrađivati samo stručno osposobljeni tehničari specijalizirani za garažna vrata. Ovaj proizvod može zahtijevati prilagođavanje opruga na vratima i/ili konfiguriranje vodilica. Ovaj proizvod nije namijenjen uporabi na niskim visinama prolaza s vanjskim „pick-up“ bubnjem ili na garažnim vratima s oprugama za ekstenziju.

- (Specijalizirani) instalater mora prije početka bilo kakve radnje pažljivo pročitati ove upute. Prije prve uporabe i najmanje jednom godišnje specijalizirani stručnjak mora ispitati električno upravljane prozore i vrata, kako bi provjerio jesu li ispravni. Specijaliziranim stručnjakom smatra se osoba koja na temelju svojeg obrazovanja i iskustva posjeduje dovoljno znanja u području električno upravljanih prozora i vrata i uz to je upoznata sa sigurnosnim propisima koji se na njih odnose kao i s općenito odobrenim tehnološkim propisima u mjeri u kojoj je, uz navedeno, sposobna ocijeniti siguran rad električno upravljanih prozora i vrata.
- Instalater mora biti upoznat sa sljedećim normama: EN 13241, EN 12604, EN 12453. Osposobljeni specijalist/stručnjak mora rukovatelja uputiti u sljedeće:
  - funkcioniranje pogona i moguće opasne situacije
  - rukovanje mehanizmom za deblokiranje u hitnim situacijama redovno održavanje, ispitivanje, njegu i zadaće rukovatelja
  - Rukovatelj mora ostale korisnike uputiti u funkcioniranje pogona.
  - Nakon uspješnog postavljanja osoba odgovorna za ugradnju pogona u skladu s Direktivom 2006/42/EZ o strojevima obvezna je izdati EZ izjavu o sukladnosti sustava za vrata. CE oznaka i tipska pločica moraju biti pričvršćene na sustavu. Ovo je obvezno i kada se radi o procesu nadogradnje ručno upravljanih vrata. Osim toga potrebno je popuniti i zapisnik (protokol) o preuzimanju i inspekciju knjižicu.
- Vrata se moraju izbalansirati. Vrata koja se ne okreću ili zaglavljena vrata treba popraviti. Ako vrata nisu izbalansirana, opruge, kabeli, diskovi, spojke i vodilice iznimno su napregnute, što može izazvati teške ozljede. Vrata nemojte pokušavati otpuštati, pokretati ili ponovno poravnati, već se obratite servisnom centru ili stručnjaku za garažna vrata.
- Tijekom postavljanja ili održavanja uređaja za otvaranja vrata ne bi se smio nositi nikakav nakit, sat ili lepršava odjeća.
- Kako bi se izbjegle tjelesne ozljede uzrokovane zapetljavanjem, prije postavljanja uređaja za otvaranje vrata uklonite sve kabele ili lance spojene na vrata.
- Tijekom ugradnje i spajanja na električne priključke, treba se pridržavati lokalnih propisa koji se odnose na gradnju i električne instalacije.
- Normom EN12453 propisana je i ugradnja monitora za praćenje napetosti kabela.
- Kako bi se izbjegla oštećenja vrlo laganih vratiju (od staklenih vlakana, aluminijskih ili čeličnih) potrebno je dodati odgovarajuće ojačanje. Za to se obratite proizvođaču vrata.
- Sustav za automatsko sigurno vraćanje vrata u otvoreni položaj treba ispitati. Pri doticaju s preprekom od 40 mm na tlu vrata se MORAJU vratiti natrag. Ako se uređaj za otvaranje vrata ne podesi ispravno, posljedice mogu uključivati teške tjelesne ozljede od vrata koja se zatvaraju. Ispitivanje ponavljajte jednom mjesečno i napravite sve potrebne izmjene.
- Ovaj se sustav ne smije ugrađivati u vlažnim ili mokrim prostorima.
- Prilikom otvaranja i zatvaranja vrata ni na koji način ne smiju ometati javne prolaze.
- Kako bi se rukovatelje podsjetilo na siguran rad, osim svjetlosnog zidnog prekidača za zaštitu djece treba postaviti i znak upozorenja. Znakovi upozorenja o rizicima od hvatanja u pokretne dijelove moraju biti jasno istaknuta na vidljivim mjestima.
- Djecu je potrebno nadzirati, kako se ne bi mogla igrati s uređajem. Djeci nemojte dozvoljavati rukovanje pritisnom tipkom ili daljinskim upravljačem.
- Ovaj uređaj nije namijenjen osobama (uključujući djecu) s ograničenim tjelesnim ili mentalnim sposobnostima ili osobama koje nemaju dovoljno iskustva i/ili znanja o njegovoj uporabi, osim ako ih nadzire osoba odgovorna za njihovu sigurnost ili ako su prošli obuku o tome kako koristiti ovaj uređaj.
- Sve prepreke blokade su deaktivirane, kako bi se izbjegla oštećenja na vratima.
- Ako je potrebno, ugrađena kontrolna oprema MORA biti postavljena u vidokrugu vrata i izvan dohvata djece. Djeci ne bi trebalo biti dozvoljeno upravljati tipkama ili daljinskim naredbama. Nepravilno korištenje uređaja za otvaranje vrata može za posljedicu imati ozbiljne ozljede.
- Uređaj za otvaranje vrata trebao bi se koristiti SAMO ako rukovatelj vidi cijeli prostor vrata, ako je siguran da na njemu nema nikakvih prepreka i ako je komplet za otvaranje vrata ispravno podešen. Kad se vrata pomiču nitko ne smije kroz njih prolaziti. Djeci ne smije biti dozvoljeno igranje u blizini vrata.
- Ručno oslobađanje primijenite samo za razdvajanje prijenosa od pogona i - ako je moguće - SAMO kad su vrata zatvorena. Crvenu ručicu nemojte koristiti za podizanje ili spuštanje vrata.
- Prije obavljanja bilo kakvih popravaka ili skidanja pokrova, uređaj za otvaranje vrata treba otpojiti od električnog napajanja. **Popravke i radove na električnim instalacijama smije izvoditi samo ovlašteni električar.**

- Ovaj proizvod ima transformator s posebnim kabelom za napajanje. Ako se ošteti MORA stručno osposobljeni tehničar mora ga zamijeniti drugim, originalnim transformatorom.
- Postupak otpuštanja u hitnim slučajevima može uzrokovati nekontrolirano pomicanje vrata, ako su opruge slabe ili potrgane ili ako vrata nisu izbalansirana.
- Ručicu za otpuštanje u hitnim slučajevima postavite na visinu manju od 1,80 m.
- Značajka Timer-to-Close (TTC), aplikacija MyQ Smartphone Control i MyQ Garage Door i Gate Monitor primjeri su nenadziranog zatvaranja i treba ih koristiti SAMO kod sekcijских vrata. Bilo koji uređaj ili značajka koji vratima omogućuju zatvaranje, a da se pritom ne nalazite u vidokrug vrata smatra se nenadziranim zatvaranjem. Značajka Timer-to-Close (TTC), aplikacija MyQ Smartphone Control i svi ostali uređaji MyQ trebaju se koristiti SAMO kod sekcijских vrata.
- Pogon se ne smije koristiti, ako u garažnim vratima postoje mala vrata.

**Spremite ove upute.**

## 2 Namjena

Ovaj je uređaj namijenjen otvaranju i zatvaranju vrata pomoću torzijske poluge i opruga (vidjeti poglavlje 3 „Planiranje“). Uređaj nije namijenjen za komercijalnu uporabu već isključivo za vrata privatnih garaža koja pripadaju jednom kućanstvu. Bilo kakav neispravan način uporabe pogona mogao bi povećati rizik od nesreća. Proizvođač ne preuzima nikakvu odgovornost za takav oblik uporabe. Na pogon se smiju priključivati samo originalni nastavci LiftMaster. Vrata s ovim pogonom moraju biti sukladna trenutno važećim međunarodnim, nacionalnim i lokalnim normama, smjernicama i propisima (EN 13241, EN 12453 i EN 12604).

## 3 Priprema za rukovanje vratima

Analizirajte svoj prostor, kako biste vidjeli primjenjuje li se na njega bilo koji od uvjeta navedenih u nastavku.

Ovisno o vašim zahtjevima, možda će vam zatrebati dodatan materijal.

**OVAJ UTEĐAJ ZA OTVARANJE VRATA KOMPATIBILAN JE S:**

- Vratima opremljenima torzijskom polugom i oprugama. Torzijska poluga mora imati promjer od najmanje 25,4 mm. NIJE kompatibilan s bubnjevima s namatanjem unatrag.
- Za bubnjeve od 80-120 mm, ne smije se koristiti s ojačanim bubnjevima većim od 120 mm.
- Sekcijska vrata standardnim podizanjem do visine 3 m.
- Vrata širine do 5,5 m.
- Vrata površine do 16,5 m<sup>2</sup>.

*Napomena: Torzijsku polugu provjerite kad su vrata podignuta i kad su spuštena. Važno je da ne postoje nikakvi značajni pomaci prema gore ili dolje, lijevo ili desno. Ako se pomak ne ispravi, vijek trajanja garažnih vrata bit će značajno kraći.*

Pregledajte i provjerite predloženi prostor za ugradnju. Uređaj za otvaranje vrata može se postaviti s lijeve ili desne strane vrata. Odaberite stranu koja odgovara zahtjevima navedenima u nastavku.

- Razmak između zida i središta torzijske poluge mora biti najmanje 6,4 cm.
- Razmak između stropa i središta torzijske poluge mora biti najmanje 7,6 cm.
- Razmak između bočnog zida (prepreke) i završetka torzijske poluge mora biti najmanje 21,6 cm.
- Torzijska poluga mora se izvlačiti najmanje 3,81 cm preko ležaja. Ovo se može razlikovati ovisno o vama specifičnim uvjetima ugradnje.
- Strujna utičnica mora biti dostupna na udaljenosti od 1,83 m od mjesta ugradnje. Ako utičnica ne postoji, obratite se kvalificiranom električaru.

## 4 Priprema za rad aplikacije MyQ

Ovim se uređajem može upravljati pomoću aplikacije MyQ - potrebno je ugraditi „foto-ochi“ (photoeyes) Pomoću aplikacije MyQ pratite i upravljajte svojim garažnim vratima bez obzira gdje se nalazili.

**PRISJE POČETKA KORIŠTENJA:**

Što vam je potrebno:

- Pametni telefon, tablet ili prijenosno računalo spojeni na Wi-Fi
- Širokopoljasni internetski priključak
- Wi-Fi signal u garaži (2,4 Ghz, 802,11b/g/n)
- Lozinka za kućnu mrežu (glavni korisnički račun preusmjerivača, ne može se koristiti mreža za goste)

**PROVJERA JAČINE WI-FI SIGNALA**

Provjerite je li vaš mobilni uređaj spojen na Wi-Fi mrežu. Mobilni uređaj držite na mjestu u garaži gdje ćete postaviti uređaj za otvaranje garažnih vrata i provjerite jačinu Wi-Fi signala.

**Wi-Fi signal je jak.**

Uređaj za otvaranje garažnih vrata spojit će se na Wi-Fi mrežu.

**Wi-Fi signal je slab.**

Uređaj za otvaranje garažnih vrata će se možda spojiti na Wi-Fi mrežu. Ako do spajanja ne dođe, pokušajte neku od opcija navedenih u nastavku, kako biste poboljšali Wi-Fi signal.

**No Wi-Fi signal.**

Uređaj za otvaranje garažnih vrata neće se moći spojiti na Wi-Fi mrežu.

Pokušajte neku od opcija navedenih u nastavku, kako biste poboljšali Wi-Fi signal.

- preusmjerivač premjestite bliže garažnim vratima, kako biste smetnje od zidova ili drugih predmeta sveli na najmanju moguću mjeru
- nabavite uređaj za proširivanje raspona Wi-Fi signala

## 5 Priprema garažnih vrata



**OPREZ:** UVIJEK pozovite tehničara specijaliziranog za garažna vrata, ako su vrata nečim sputana, ako se love za površine ili nisu izbalansirana. Garažna vrata koja nisu izbalansirana NEĆE se vratiti u otvoreni položaj kad to bude potrebno. Nemojte NIKADA pokušavati olabaviti, pomicati ili namještati garažna vrata, opruge na vratima, kabele, koloture, konzole ili njihove željezne dijelove jer su SVI oni IZRAZITO napregnuti. PRIJE ugradnje i rukovanja uređajem za otvaranje garažnih vrata onemogućite SVE brave i uklonite SVU užad povezanu s garažnim vratima, kako biste izbjegli zaplitanje. Sustav za otvaranje opremljen je značajkom za rukovanje bez nadzora. Vrata se mogu pokrenuti neočekivano. KAD SE VRATA POMIČU NITKO SE NE SMIJE KRETATI PO NJIHOVOJ PUTANJI.

PRIJE POČETKA KORIŠTENJA:

- Onemogućite brave.
- Uklonite bilo kakvu užad povezanu s garažnim vratima.

Provedite sljedeću provjeru kako biste bili sigurni da su garažna vrata izbalansirana, da ne dodiruju površine ili da ih ništa ne sputava

- vrata podignite do pola. Oslobodite ih. Ako su izbalansirana trebala bi ostati na mjestu zadržana samo na oprugama.
- Podižite i spuštajte vrata kako biste provjerili ne dolazi li do dodirivanja ili sputavanja.
- vrata teža od 130 kg NE smiju se naglo otvarati ili padati.

Ako vrata nešto dodiruju, ako ih nešto sputava ili nisu izbalansirana, pozovite stručno osposobljenog tehničara specijaliziranog za sustave vrata.

## 6 Potrebni alati

Tijekom sastavljanja, ugradnje i podešavanja uređaja za otvaranje vrata, kako biste mogli slijediti upute bit će vam potrebni alati ilustrirani u nastavku.

- |                      |  |
|----------------------|--|
| 1. Ljestve           | 7. Odvijač   |
| 2. Bušilica          | 8. Libela  |
| 3. Metar             | 9. Čekić za čavle                                  |
| 4. Kliješta za žicu  | 10. Nasadni ključ s bitovima i produžnim nastavkom |
| 5. Kliješta          | 11. Francuski ključ                                |
| 6. Svrdla za bušenje | 12. Olovka   |

## 7 Inventura pakiranja

Ako bilo što nedostaje pažljivo provjerite ambalažu.

UREĐAJ ZA OTVARANJE GARAŽNIH VRATA		9. Sidro za gipsane („knauf“) ploče (usađeno) 42 mm		2x
1. Uređaj za otvaranje garažnih vrata, LM3800W	1x	10. Vijak 27,85 mm		2x
2. Brava za automatsko zaključavanje garažnih vrata, 841EU	1x	<b>VREĆICA S VIJČANOM ROBOM</b>		
3. Konzola	1x	11. Vijak 15 mm		2x
4. Prsten s vijcima za podešavanje	1x	12. Vijak 54,8 mm		4x
5. Sigurnosne oznake	1x	13. Ručka		1x
6. Daljinski upravljač sa 4 tipke, TX4EVF	2x	14. Uže		1x
7. LED lampa za MyQ daljinski upravljač, 827EV	1x	15. Vijak 15 mm		2x
8. Priručnik		16. Sidro za gipsane („knauf“) ploče (usađeno) 36,8 mm		4x
<b>VIJČANA ROBA ZA DALJINSKU RASVJETU</b>		17. Vijak 22 mm		2x

## 8 Potreban dodatni pribor

Monitor za praćenje napetosti kabela 041A9264.

Infracrvene foto-ćelije (za upravljanje aplikacijom MyQ: - 771EV ili- 772E ili- 771EVK ili- G770E).

## 9 Pričvršćivanje prstena na uređaj za otvaranje garažnih vrata

Kako biste izbjegli poteškoće kod ugradnje, uređajem za otvaranje garažnih vrata nemojte rukovati tako dugo dok vas se u to ne uputi. Uređaj za otvaranje garažnih vrata može se postaviti s obje strane vrata (vidi poglavlje Priprema). Ilustracije na listu s ilustracijama služe za ugradnju.

1. Otpustite vijke za podešavanje.
2. Prsten pričvrstite na pogonsku osovinu uređaja za otvaranje garažnih vrata. Strana prstena na kojoj se nalazi veći otvor postavlja se na osovinu motora.
3. Provjerite je li prsten do kraja sjeo na osovinu motora, sve do graničnika.
4. Prsten namjestite tako da vijci budu okrenuti prema van i da budu dostupni kad se osovina spoji na torzijsku polugu.
5. Čvrsto stegnite 2 vijka za podešavanje sa četvrtastom glavom koji su najbliži osovini motora, zakretanjem za 1/4 - 1/2 kruga, nakon što vijci dotaknu osovinu motora.

## 10 Pričvršćivanje konzole na uređaj za otvaranje garažnih vrata



1. Pomoću priloženih vijaka stranu konzole na kojoj se nalazi utor labavo spojite na istu stranu uređaja za otvaranje garažnih vrata na kojoj se nalazi prsten (11).

*Napomena: Vijke nemojte stezati sve dok vas se na to ne uputi.*

## 11 Namještanje i postavljanje uređaja za otvaranje garažnih vrata



Ako se konzola postavlja na zid MORAJU se koristiti sidra za beton. Nemojte NIKADA pokušavati olabaviti, pomicati ili namještatii garažna vrata, opruge na vratima, kabele, koloture, konzole ili njihove željezne dijelove jer su SVI oni IZRAZITO napregnuti. UVIJEK pozovite tehničara/instalatera/stručnjak specijaliziranog za garažna vrata, ako su vrata nečim sputana, ako se love za površine ili nisu izbalansirana. Garažna vrata koja nisu izbalansirana možda se NEĆE vratiti u otvoreni položaj kad to bude potrebno. Uređaj za otvaranje garažnih vrata MORA se postaviti pod pravim kutom na torzijsku polugu, kako bi se izbjeglo prijevremeno habanje prstena. U obzir uzmite uvjete koji postoje na samom mjestu postavljanja.

*Napomena: Za dodatne opcije postavljanja proučite stranice namijenjene dodatnoj opremi.*

1. Garažna vrata zatvorite do kraja.
2. Uređaj za otvaranje garažnih vrata umetnite na završetak torzijske poluge. Ako je torzijska poluga preduga ili je oštećena, možda ćete je trebati odrezati. Provjerite NE DODIRUJE li prsten ležaj.
3. Pomoću libele postavite i okomito poravnajte uređaj za otvaranje garažnih vrata. Provjerite nalazi li se konzola na čvrstoj podlozi, primjerice drvu, betonu ili konzoli za vrata/zastavu. Ako konzolu postavljate na gipsanu ploču („knauf“) ona MORA biti učvršćena na nosač.
4. Kad je uređaj za otvaranje garažnih vrata ispravno poravnat, označite mjesta za rupe za postavljanje konzole. Ako bude potrebno stegnite vijke na prstenu na torzijskoj poluzi, kako se garažna vrata ne bi pomicala kad označavate mjesta za rupe. NAPOMENA: Uređaj za otvaranje garažnih vrata ne treba biti u istoj ravnini kao površina zida.
5. Skinite uređaj za otvaranje garažnih vrata s torzijske poluge. Na označenim mjestima izbušite pilot rupe od 5 mm. Ako je potrebno bušite kroz metalne pločice vodilica za vrata.
6. Uređaj za otvaranje garažnih vrata vratite natrag na torzijsku polugu i namješčajte dok se pilot rupe ne poravnaju s konzolom.
7. Stegnite 2 vijka za podešavanje sa četvrtastom glavom na torzijskom poluzi. Kod šuplje torzijske poluge, nakon doticaja s polugom napravite još 3/4 - 1 puni okret. Kod torzijske poluge s punom osovinom, nakon doticaja s osovinom vijke zakrenite još za 1/4 - najviše 1/2 okreta. Kod postavljanja na torzijsku polugu s utorom, vijke NEMOJTE zatezati u utor.
8. Konzolu pričvrstite na zid i na uređaj za otvaranje garažnih vrata. Za pričvršćivanje konzole na zid koristite vijke (12).

## 12 Pričvršćivanje užeta i ručice za oslobađanje u hitnim slučajevima



Ako je moguće, ručicu za oslobađanje u hitnim slučajevima aktivirajte SAMO kad su garažna vrata ZATVORENA. Ako je opruga slaba ili slomljena ili ako vrata nisu izbalansirana, ona mogu naglo i/ili neočekivano pasti. Ručicu za oslobađanje u hitnim slučajevima nemojte NIKAD koristiti ako se u prostoru nadvoja vrata nalaze ljudi ili prepreke.

1. Jedan kraj užeta za oslobađanje u hitnim slučajevima provucite kroz ručicu. Vodite računa o tome da „OBAVIJEST“ bude okrenuta pravom stranom prema gore. Jednostrukim čvorom osigurajte ju najmanje 2,5 cm od završetka užeta kako ne bi mogla skliznuti.
2. Drugi kraj užeta za hitne slučajeve provucite kroz otvor u kraku za oslobađanje prijenosnih kotačića. Uže za hitne slučajeve postavite tako da se može doseći, ali najmanje 1,83 m od tla, kako ne bi došlo do nehotičnog doticaja s vozilima i slučajnog oslobađanja i osigurajte ga jednostrukim čvorom.

*Napomena: Ako je uže potrebno prerezati, završetak osigurajte zagrijavanjem niti šibicom ili upaljačem kako se uže ne bi rasplelo.*

## 13 Ugradnja automatske brave za vrata

Automatska brava za vrata (model 841EU) koristi se kako bi se spriječilo ručno otvaranje vrata jednom kad su ona potpuno zatvorena.

*Napomena: Stariji modeli brava za vrata 24 V nisu kompatibilni.*

1. Bravu treba ugraditi u prostoru unutar 3,05 m oko uređaja za otvaranje vrata, ako je moguće na istoj strani kao i uređaj za otvaranje vrata.
2. Provjerite je li površina vodilica čista i predložak za bravu učvrstite na stazu tako da otvor za vijak bude oko 7.6 cm udaljen od središta valjka za vrata.
3. Izbušite rupe prema oznakama na predlošku.
4. Bravu za automatsko zaključavanje učvrstite na vanjsku stranu vodilice vrata koristeći priložene vijke.
5. Žicu zvona provucite po zidu do uređaja za otvaranje vrata. Za osiguravanje žice na više mjesta koristite izolirane spajalice. Žicu provucite kroz donji dio uređaja za otvaranje vrata.
6. Priključak spojite s jednim od priključaka na uređaju za otvaranje vrata. Druga brava za vrata (841EU) može se ugraditi na suprotnoj strani vrata, prema istim uputama.

### PROVJERA BRAVE ZA AUTOMATSKO ZAKLJUČAVANJE VRATA

1. Kad su vrata zatvorena do kraja, zasun brave za automatsko zaključavanje vrata (B) treba probijati kroz vodilicu.
2. Pokrenite vrata u smjeru za otvaranje. Brava za automatsko zaključavanje (A) treba se uvući prije nego se vrata počnu pomicati.
3. Vrata pomaknite prema dolje. Kad vrata dođu u potpuno zatvoreni položaj, brava za automatsko zaključavanje trebala bi se pomaknuti u zaključani položaj i osigurati vrata.

*Napomena: Ako brava za automatsko zaključavanje ne funkcionira, može se osloboditi ručno pomicanjem ručice (C) u otvoreni položaj.*

## 14 Pričvršćivanje monitora za praćenje napetosti kabela (041A9264) (obvezni dodatak)

Monitor za praćenje napetosti kabela MORA biti priključen i pravilno ugrađen prije nego uređaj za otvaranje garažnih vrata započne sa spuštanjem vrata. Monitor za praćenje napetosti kabela detektira SVAKU labavost kablova i vrata vraća u otvoreni položaj, eliminirajući potrebu servisnih poziva. Normom EN12453 propisana je i ugradnja monitora za praćenje napetosti kabela.

*Napomena: Monitor za praćenje napetosti kabela isporučuje se za opciju ugradnje na lijevoj strani. Ako je potrebna ugradnja na desnoj strani, skinite prsten koji valjak drži na mjestu i ponovno ga postavite na suprotnoj strani monitora za praćenje napetosti kabela.*

1. Pobrinite se da kabel za vrata bude odmaknut od površine za postavljanje oko 19 mm. Kako bi se postigla ispravna dubina kabela za vrata možda će biti potrebno podesiti vrata ili staviti podložne pločice.
2. Monitor za praćenje napetosti kabela postavite tako da valjak bude 5-15 cm od bubnja i da se može izvući 3-6 cm preko kabela. Pobrinite se da monitor za praćenje napetosti kabela bude smješten na drvenom postolju i da ne postoje nikakve prepreke za pomicanje valjka.  
*NAPOMENA:* U prostoru za postavljanje ne smije biti nikakvih prepreka koje bi monitoru za praćenje napetosti kabela onemogućavale potpuno zatvaranje u slučaju detekcije labavosti kabela.
3. Označite mjesta i izbušite pilot rupe od 5 mm za vijke (pilot rupe nisu potrebne za sidra).
4. Monitor za praćenje napetosti kabela učvrstite na zid koristeći priložene vijke. Pazite da valjak bude iznad kabela.
5. Žicu zvona provucite do uređaja za otvaranje vrata. Za osiguravanje žice koristite izolirane spajalice.
6. Žicu zvona spojite na priključke za brzo spajanje (10 + 11) na uređaju za otvaranje vrata (neovisno o polaritetu).  
*NAPOMENA:* Kabel mora biti napet po cijelom putanju kretanja vrata. Pobrinite se da tijekom normalnog rada na suprotnoj strani vrata kabel ne bude labav. Ako se kabeli olabave tijekom pomicanja vrata, podesite ih koliko bude potrebno.

Kad su ugrađena dva monitora za praćenje napetosti kabela i jedan detektira labavost ili nije spojen, vrata se neće spuštati ili će se vraćati u otvoreni položaj.

### PROVJERA MONITORA ZA PRAĆENJE NAPETOSTI KABELA

1. Kad su vrata zatvorena do kraja pritisnite prednju stranu monitora za praćenje napetosti kabela. Trebao bi se čuti „klik“. Ako se ne čuje, možda valjak udara u dovratnik i ne dozvoljava sklopki detektiranje labavosti kabela. Pobrinite se da monitor za praćenje napetosti kabela bude poravnat s površinom zida i da ne postoje nikakve prepreke za pomicanje valjka.

Otpornik 1k koji je dio kompleta služi za uklanjanje kvara samo na uspostavljanju CMT-a. Sukladno normi EN12453 potrebno je ugraditi nadzor napetosti kabela radi ispravne detekcije labavosti kabela.

Ako se monitor za praćenje napetosti kabela aktivira strelice za GORE i DOLJE upućivat će na dijagnostičku šifru 3-5 i točk.

## 15 Ugradnja LED lampe za MyQ daljinski upravljač (samo u suhim područjima)

LED lampica za MyQ daljinski upravljač dizajnirana je za izravno priključivanje na standardnu utičnicu od 230V. Odaberite mjesto na stropu ili zidu koje je prikladno za postavljanje lampe 1,83 m od strujne utičnice, kako kabel i svjetlo ne bi bili blizu pokretnih dijelova. Ugradnja LED lampe za MyQ daljinski upravljač potrebna je za rad MyQ-a i programatora zatvaranja vrata (Timer-to-Close (TTC)).

*Napomena: Ako lampu postavljate na gipsanu ploču („knauf“) i ne možete utvrditi mjesto stropne grade, upotrijebite priložena sidra za gipsanu ploču („knauf“). Za sidra za gipsanu ploču („knauf“) nisu potrebne pilot rupe.*

1. Kod postavljanja na gredu izbušite rupe na svakih 15,6 cm.

ILI

u gipsanu ploču („knauf“) navrnite sidra na svakih 15,6 cm.

2. Utvrdite duljinu kabela za napajanje kako bi bio dovoljno dugačak za umetanje u najbližu utičnicu. Višak kabela namotajte oko držača za kabel na gornjoj strani postolja za lampu. Kabel provucite kroz kanal tako da svjetlo bude poravnato sa zidom.

3. Otvorite poklopac lampe.

4. Lampu pričvrstite priloženim vijcima (9+10).

5. Zatvorite poklopac lampe.

6. Utičać lampe umetnite u utičnicu.

*Napomena: LED lampica svijetli jakom svjetlošću. NEMOJTE u nju gledati dok stojite na ljestvama.*

Vaša lampica za daljinski upravljač uređaja za otvaranje garažnih vrata tvornički je programirana da radi u skladu s uređajem. Dodatne i zamjenske lampe za daljinski upravljač trebale bi ponovno programirati.

## 16 Električni priključak



Kako bi se izbjegle tjelesne ozljede i oštećivanje uređaja, uređajem za otvaranje garažnih vrata treba rukovati tek kad je to izričito navedeno u priručniku. Utičać mora uvijek biti dostupan, kako bi se mogao otpojiti sa strujnog napajanja. Električne instalacije smije izvoditi samo ovlašteni električar.

## 17 Ugradnja fotočelija

### VAŽNA INFORMACIJA O INFRACRVENIM FOTOČELIJAMA

Upute za ugradnju dio su isporuke infracrvenih čelija i potrebno ih se pridržavati. **Fotočelije osiguravaju da se vrata otvaraju ili ostaju otvorena, ako se u prostoru vrata nalaze osobe, pogotovo mala djeca.** Kad je ispravno spojen i podešen, osjetnik infracrvenih čelija detektira prepreku na putanju svoje električne zrake. Osjetnik-odašiljač osjetniku-primatelju šalje nevidljivu svjetlosnu zraku. Ako prepreka prekida svjetlosnu zraku dok se vrata zatvaraju, vrata će se zaustaviti i vratiti u potpuno otvoreni položaj, a uređaj za otvaranje vrata zasvijetlit će 10 puta.

Kako bi se značajka MyQ ili TTC mogla koristiti, osjetnici u garaži moraju biti ugrađeni tako da osjetnik-odašiljač i osjetnik-primatelj budu postavljeni jedan nasuprot drugoga s obje strane vrata, najviše 10 cm od tla. Nije bitno koji je od njih postavljen s koje strane vrata, no važno je da na leću osjetnika-primatelja nikada izravno ne sije sunce. Na nevidljivoj putanji svjetlosne zrake ne smije biti prepreka. Nijedan dio garažnih vrata (vodilice, opruge, šarke, valjci ili vijčani elementi) ne smije ometati zraku kad se vrata zatvaraju.

*Napomena: Liftmaster preporučuje postavljanje infracrvenih čelija kod svakog postavljanja vrata. Postavljanje infracrvene fotočelije nužno je za korištenje značajke MyQ ili TTC.*

### OŽIČENJE INFRACRVENIH FOTOČELIJA

1. Provedite žice s oba osjetnika do uređaja za otvaranje garažnih vrata. Spajalicama žicu pričvrstite na zid i strop.
2. Sa svakog snopa žica skinite 11 mm izolacije. Razdvojite žice. Zapletite bijele žice zajedno. Zapletite crno-bijele žice zajedno.
3. Bijele žice umetnite u bijeli priključak na uređaju za otvaranje garažnih vrata. Crno-bijele žice umetnite u sivi priključak na uređaju za otvaranje garažnih vrata. Za umetanje i vađenje žica iz priključka na uređaju, jazičac pritisnite vrhom odvijača.

### PROVJERITE JESU LI INFRACRVENE FOTOČELIJE PODEŠENE U RAVNINU.

**Ako osjetnici nisu ispravno ugrađeni i podešeni vrata se neće zatvoriti.**

Kad svjetlosna zraka naiđe na prepreku ili se iskrivi kad se vrata zatvaraju, vrata će se vratiti u otvoreni položaj i uređaj za otvaranje garažnih vrata zasvijetlit će deset puta. Ako su vrata već otvorena, neće se zatvoriti. Osjetnici se mogu podesiti otpuštanjem leptirastih matica, poravnavanjem osjetnika i ponovnim stezanjem matica.

1. Provjerite svijetle li LED žarulje u oba osjetnika ujednačenim svjetlom. LED žarulje u oba osjetnika svijetleće će ujednačenim svjetlom ako su osjetnici ispravno poravnani i ožičeni

## PROVJERA INFRACRVENIH FOTOČELIJA

1. Otvorite vrata. Na putanju vrata postavite prepreku.
2. Pritisnite tipku za zatvaranje vrata na daljinskom upravljaču. Vrata se neće pomaknuti više od 2,5 cm, a uređaj za otvaranje garažnih vrata zasvijetlit će 10 puta.

Uređaj za otvaranje garažnih vrata neće moći zatvoriti vrata upravljani pomoću daljinskog upravljača ako su LED žarulje u jednoj od infracrvenih fotočelija ugašene (što upućuje na činjenicu da osjetnik nije ispravno poravnani ili da postoji prepreka). **Ako uređaj za otvaranje vrata zatvori vrata kad postoji prepreka za infracrvene ćelije (a osjetnici nisu postavljeni više od 10 cm iznad tla) pozovite tehničara specijaliziranog za sustave garažnih vrata.**

## 18 Priključivanje napona

Kako biste izbjegli poteškoće kod ugradnje, uređajem za otvaranje garažnih vrata nemojte rukovati u ovoj fazi. Kako bi se smanjio rizik od strujnog udara, vaš uređaj za otvaranje garažnih vrata ima utikač s uzemljenjem. Ovaj utikač odgovara samo utičnici za uzemljenje. Ako utikač ne odgovara utičnici kakvu imate, obratite se kvalificiranom električaru koji će vam ugraditi ispravnu utičnicu.

Za priključivanje napona postoji samo jedna opcija:

### KLASIČNO OŽIČENJE

Utikač uređaja za otvaranje vrata umetnite u utičnicu s uzemljenjem.

## 19 Ugradnja pričuvnog akumulatora (dodatna opcija)



Služiti za smanjenje rizika od POŽARA ili OZLJEĐIVANJA osoba. PRIJE izvođenja BILO KAKVIH radova na održavanju isključite SVE IZVORE električnog ili akumulatorskog napajanja. Kao zamjenski akumulator koristite SAMO LiftMaster dio 485EU. Akumulator NEMOJTE baciti u vatru. Akumulator može eksplodirati. Za načine zbrinjavanja proučite lokalne propise.

Tijekom rada s pričuvnim akumulatorom, uređaji MyQ Smartphone Control i bežični MyQ ne rade. Tijekom rada s pričuvnim akumulatorom, brava za automatsko zaključavanje garažnih vrata otključava se kad su vrata otvorena i ostaje isključena sve do ponovnog uspostavljanja napajanja.

1. Uređaj za otvaranje garažnih vrata otpojite s napajanja.
2. Odvijačem skinite poklopac akumulatora na uređaju za otvaranje garažnih vrata.
3. Akumulator djelomično umetnite u pretinac za akumulator tako da priključci budu okrenuti prema van.
4. Crvenu (+) i crnu (-) žicu s uređaja za otvaranje garažnih vrata spojite na odgovarajuće priključke na akumulatoru.
5. Ponovno namjestite poklopac akumulatora.
6. Uređaj za otvaranje garažnih vrata ponovno spojite na napajanje.

### LED ŽARULJE STATUS AKUMULATORA (B)

#### ZELENA:

Svi sustavi rade normalno.

- Neprekidno zeleno LED svjetlo znači da je akumulator napunjen do kraja.
- Treptavo zeleno LED svjetlo znači da se akumulator puni.

#### NARANČASTA:

Uređaj za otvaranje garažnih vrata je ostao bez napajanja i radi s pričuvnim akumulatorom.

- Uz neprekidno narančasto LED svjetlo otprilike svake 2 sekunde javlja se i zvučni signal, što znači da uređaj za otvaranje garažnih vrata radi s pričuvnim akumulatorom.
- Uz treptavo narančasto LED svjetlo svakih 30 sekundi oglašava se i zvučni signal, što znači da je akumulator prazan.

#### CRVENA:

12 V akumulator uređaja za otvaranje garažnih vrata treba zamijeniti.

- Uz neprekidno crveno LED svjetlo svakih 30 sekundi javlja se i zvučni signal, što znači da se 12 V akumulator više ne može napuniti i da ga je potrebno zamijeniti. Zamijenite pričuvni akumulator kako biste i dalje mogli koristiti značajku pričuvnog akumulatora.

*Napomena: Kako bi uređaj za otvaranje garažnih vrata mogao raditi akumulator ne treba biti napunjen do kraja.*



## 20 Programiranje kretanja



Neispravno podešeni graničnici kretanja garažnih vrata onemogućit će pravilan rad sustava za sigurno vraćanje vrata u otvoreni položaj. Nakon **BILO KAKVIH** podešavanja, sustav za sigurno vraćanje vrata u otvoreni položaj **MORA** se ispitati. Vrata se **MORAJU** vratiti u otvoreni položaj kad dođu u doticaj s predmetom veličine 40 mm na tlu. Kako biste spriječili oštećivanje vozila, provjerite osiguravaju li potpuno otvorena vrata dovoljno prostora.

Graničnici kretanja reguliraju točke na kojima se vrata zaustavljaju prilikom kretanja gore ili dolje. Kod programiranja tipke GORE i DOLJE mogu se koristiti za pomicanje vrata prema potrebi.

1. Pritisnite i zadržite tipku za podešavanje (A) sve dok tipka GORE (U) ne počne treptati i/ili dok se ne začuje zvučni signal.
2. Pritisnite i zadržite tipku GORE (U) sve dok se vrata ne nađu u željenom položaju GORE.
3. Jednom kad su vrata u željenom položaju GORE, pritisnite i pustite tipku za podešavanje (A). Svjetla na uređaju za otvaranje garažnih vrata zasvijetlit će dvaput, a tipka DOLJE (D) počinje treptati.
4. Pritisnite i zadržite tipku DOLJE (D) sve dok se vrata ne nađu u željenom položaju DOLJE.
5. Jednom kad su vrata u željenom položaju DOLJE, pritisnite i pustite tipku za podešavanje (A). Svjetla na uređaju za otvaranje garažnih vrata zasvijetlit će dvaput, a tipka GORE (U) počinje treptati.
6. Pritisnite i otpustite tipku GORE (U). Kad se vrata kreću prema programiranom položaju GORE, tipka DOLJE (D) počinje treptati.
7. Pritisnite i otpustite tipku DOLJE (D). Vrata će se kretati prema programiranom položaju DOLJE. Programiranje je završeno.

Ako svjetla uređaja za otvaranje garažnih vrata tijekom koraka za programiranje kretanja zasvijetle 5 puta znači da je vrijeme za programiranje isteklo. Ako monitor za praćenje napetosti kabela nije ugrađen ili ako detektira preveliku labavost kabela, svjetlo na uređaju za podizanje garažnih vrata zasvijetlit će 5 puta. Pobrinite se da monitor za praćenje napetosti kabela bude ispravno ugrađen i zatim slijedite korake za programiranje kretanja vrata. Ako svjetla uređaja za otvaranje garažnih vrata tijekom koraka za programiranje kretanja zasvijetle 10 puta znači da fotočelije nisu ispravno poravnane ili da postoji prepreka. Kad su osjetnici podešeni i kad nema prepreka, obavite cijeli ciklus podizanja i spuštanja korištenjem tipki GORE i DOLJE ili daljinski upravljač. Programiranje je završeno. Ako vrata ne možete podizati ili spuštati, ponovite korake za programiranje kretanja vrata.

## 21 Provjera sustava za sigurno vraćanje vrata u otvoreni položaj



Ako sustav za sigurno vraćanje vrata u otvoreni položaj nije ispravno ugrađen, garažna vrata prilikom zatvaranja mogu **TEŠKO OZLIJEDITI** ili čak izazvati **SMRT** osoba (naročito male djece). Sustav za sigurno vraćanje vrata u otvoreni položaj **MORA** se provjeravati svaki mjesec. Nakon **BILO KAKVIH** podešavanja, sustav za sigurno vraćanje vrata u otvoreni položaj **MORA** se ispitati. Vrata se **MORAJU** vratiti u otvoreni položaj kad dođu u doticaj s predmetom visine 40 mm na tlu.

### PROVJERA

1. Kad su vrata potpuno otvorena na tlo stavite dasku visine 40 mm centriranu ispod garažnih vrata.
2. Pritisnite tipku za zatvaranje vrata na daljinskom upravljaču. Vrata se **MORAJU** vratiti u otvoreni položaj kad dođu u doticaj s daskom.

### PODEŠAVANJE

Ako se vrata zaustave ali se ne vrata u otvoreni položaj:

1. Proučite priložene upute za ugradnje kako biste bili sigurni da su prevedeni svi potrebni koraci;
2. Ponovite programiranje kretanja (vidjeti 1. korak podešavanja „Točka 20”);
3. Ponovite Provjeru sigurnog vraćanja u otvoreni položaj.

Ako provjera i dalje ne daje pozitivne rezultate, pozovite tehničara specijaliziranog za sustave garažnih vrata.

### VAŽNA SIGURNOSNA PROVJERA:

Provjeru sustava za sigurno vraćanje vrata u otvoreni položaj obavite nakon:

- Svakog podešavanja graničnika.
- Bilo kakvog popravka ili podešavanja vrata (uklj. opruge i željezne dijelove).
- Bilo kakvog popravka na ili neravnina na podu garaže.
- Bilo kakvog popravka na ili podešavanja uređaja za otvaranje garažnih vrata.

## 22 Ručno otvaranje vrata



Ako je moguće, ručicu za oslobađanje u hitnim slučajevima aktivirajte SAMO kad su garažna vrata ZATVORENA. Ako je opruga slaba ili slomljena ili ako vrata nisu izbalansirana, ona mogu naglo i/ili neočekivano pasti. Ručicu za oslobađanje u hitnim slučajevima nemojte NIKAD koristiti ako se u prostoru nadvoja vrata nalaze ljudi ili prepreke.

Najprije deaktivirajte sve brave. Ako je moguće, vrata moraju biti zatvorena do kraja. Ručicu za otpuštanje u hitnim slučajevima povucite prema dolje, sve dok se iz uređaja za otvaranje garažnih vrata ne začuje „klik“ i ručno podignite vrata. Kako biste vrata ponovno spojili na uređaj za otvaranje garažnih vrata, ručicu za otpuštanje u hitnim slučajevima povlačite još jednom ravno dolje sve dok se iz uređaja za otvaranje garažnih vrata ne začuje isti zvuk. Vrata će se ponovno povezati prilikom sljedeće radnje podizanja (UP) ili spuštanja (DOWN).

### PROVJERA OSLOBAĐANJA U HITNIM SLUČAJEVIMA

1. Provjerite jesu li vrata zaključana.
2. Povucite ručicu za otpuštanje u hitnim slučajevima. Vrata bi se sada trebala moći ručno otvoriti.
3. Vratite vrata u zatvoreni položaj.
4. Ručicu za otpuštanje u hitnim slučajevima povucite još jedanput.
5. Vrata ponovno spojite s uređajem za otvaranje garažnih vrata.

## 23 Korištenje uređaja za otvaranje garažnih vrata

### ZNAČAJKE

Vaš je uređaj za otvaranje garažnih vrata opremljen značajkama koje vam omogućuju bolju kontrolu otvaranje i zatvaranja garažnih vrata.

### UPOZORENJE NA ZATVARANJE (ALERT-TO-CLOSE)

Značajka upozorenja na zatvaranje daje vizualno upozorenje da se vrata zatvaraju bez praćenja.

### PROGRAMATOR ZATVARANJA VRATA (TIMER-TO-CLOSE (TTC))

Zahvaljujući značajki TTC vrata se automatski zatvaraju nakon određenog vremena koje se može podešavati pomoću regulatora za vrata koji se aktivira putem TTC-a (samo na modelima s fotočelijama 771EV / 772E / 771EVK / G770E). Prije i za vrijeme zatvaranja vrata svjetla na uređaju za otvaranje garažnih vrata svijetle treptavim svjetlom.

#### AKTIVIRANJE TTC-a:

1. Pritisnite i pustite žutu tipku Bilježenje (L) 4 puta.
2. Žuti LED indikator bilježenja će se uključiti (ON)
3. Strelicama za kretanje GORE (U) i DOLJE (D) prođite cijeli ciklus od isključenog uređaja (OFF) preko koraka od 1/5/10 minuta. Kod svakog dabira žuti LED indikator bilježenja će treptati. Na primjer, ako odaberete 5 minuta, žuti LED indikator bilježenja trepće 5 puta što znači da daje povratnu informaciju potvrde.
4. Pritisnite četvrtastu tipku za podešavanje (A), kako biste spremili postavke i napustili način rada programiranja TTC-a. Kad je aktivacija završena LED svjetlo za MyQ Remote zasvijetlit će JEDANPUT za potvrdu. Kod programiranja značajke TTC sljedeću tipku utrebate pritisnuti roku od 30 sekundi, u suprotnom napuštate aktivaciju TTC-a. Ako vrijeme za programiranje istekne, TTC zadržava prethodne postavke, a LED svjetlo za MyQ Remote zatrepće 5 puta.

Za napuštanje načina rada programiranja TTC-a prije završenog programiranja, jedanput pritisnite i otpustite tipku za bilježenje (L).

#### PROMJENA PROGRAMIRANOG VREMENA TTC-a:

1. Pritisnite tipku za bilježenje (L) 4 puta.
2. Strelicama za kretanje GORE (U) i DOLJE (D) prođite cijeli ciklus od isključenog uređaja (OFF) preko koraka od 1/5/10 minuta. Kod svakog dabira žuti LED indikator bilježenja će treptati.
3. Pritisnite četvrtastu tipku za podešavanje (A), kako biste spremili postavke i napustili način rada programiranja TTC-a. Kad je aktivacija završena LED svjetlo za MyQ Remote zasvijetlit će JEDANPUT za potvrdu.

#### DEAKTIVIRANJE TTC-a:

1. Pritisnite žutu tipku za bilježenje (L) 4 puta.
2. Pritisnite jedanput tipku za podešavanje i spremite postavku.
3. Kad je deaktivacija završena LED svjetlo za MyQ zasvijetlit će JEDANPUT za potvrdu.  
Ako je značajka TTC aktivna, programator odbrojava vrijeme, a infracrvene zrake su prekinute, programator TTC treba pokrenuti ponovno.

### MYQ

MyQ služi za upravljanje uređajem za otvaranje garažnih vrata pomoću mobitela ili računala bez obzira gdje se nalazili. Za uspostavljanje dvosmjerne komunikacije između uređaja za otvaranje garažnih vrata i aktivnih MyQ dodataka MyQ tehnologija koristi radijski signal. Uređaj za otvaranje garažnih vrata ima interni pristupnik pomoću kojega uređaj izravno komunicira s kućnom Wi-Fi mrežom i pristupa vašem MyQ korisničkom računaru.

## INFRACRVENE FOTOĆELIJE

Kad su ispravno spojene i podešene, infracrvene ćelije detektiraju prepreku na putanju infracrvene zrake. Ako prepreka prekida infracrvenu zraku dok se vrata zatvaraju, vrata će se zaustaviti i vratiti u potpuno otvoreni položaj, a uređaj za otvaranje vrata emitirat će treptavo svjetlo 10 puta. Ako su vrata opremljena infracrveim ćelijama potpuno otvorena, a nisu podešena, vrata se neće zatvoriti upravljanjem putem daljinskog upravljača. Međutim, vrata možete zatvoriti zadržavanjem tipke na upravljaču za vrata ili ulazu bez ključa tako dugo dok se vrata ne zatvore do kraja. Infracrvene fotoćelije ne utječu na ciklus otvaranja.

## UŠTEDA ENERGIJE

Radi uštede energije uređaj za otvaranje garažnih vrata prelazi u način spavanja čim su vrata do kraja zatvorena. Ovaj način zatvara i uređaj za otvaranje vrata sve dok se ponovno ne aktivira. Način spavanja usklađen je sa svjetlom uređaja za aktiviranje vrata, jer svjetlo isključuje LED indikatore osjetnika i svaki put kad se svjetla na uređaju za otvaranje garažnih vrata upale LED indikatori osjetnika će se također upaliti. Uređaj za otvaranje garažnih vrata neće prijeći u način spavanja tako dugo dok nakon uključivanja napajanja ne obavi 5 ciklusa.

## SVJETLA

Svjetlo uređaja za otvaranje garažnih vrata pali se kad se uređaj prvi put priključi na napajanje; napajanje se uspostavlja nakon prekida ili prilikom aktiviranja uređaja. Svjetlo se automatski gasi nakon 4-1/2 minuta.

## ZNAČAJKA OSVJETLJAVANJA

Uređaj za otvaranje garažnih vrata opremljen je i jednom dodatnom značajkom; svjetla se pale kad netko prođe kroz otvorena garažna vrata i prekine infracrvenu zraku. Za omogućavanje ove funkcije infracrvene fotoćelije 771EV / 772E / 771EVK / G770E trebaju biti ugrađene.

## PRIČUVNI AKUMULATOR (DODATNA OPCIJA)

Sustav pričuvnog akumulatori omogućuje pristup u i izlaz iz garaže, čak i kad nema napajanja. Kad radi pomoću akumulatorskog napajanja, uređaj za otvaranje garažnih vrata radi sporije, svjetlo ne radi, LED indikator statusa akumulatora svijetli ujednačenim narančastim svjetlom, a zvučni signal oglašava se otprilike svake 2 sekunde.

## PRIČUVNI AKUMULATOR (DODATNA OPCIJA)

Uređaj za otvaranje garažnih vrata može se aktivirati zidnim regulatorom za vrata, daljinskim upravljačem, bežičnim ulazom bez ključa ili MyQ dodatnim priborom. Kad uređajem za otvaranje vrata upravljate pomoću radio upravljača ili zidnog prekidača, uređaj:

- zatvara vrata kad su otvorena do kraja
- otvara vrata kad su zatvorena do kraja
- zaustavlja vrata ako se ona ne otvaraju ili ne zatvaraju
- pomiče vrata u suprotnom smjeru do zadnjeg dovršenog pomaka, ako su bila djelomično otvorena.

Ako vrata detektiraju prepreku ili se otvaranje prekine, vrata će se zaustaviti. Ako uređaj za otvaranje garažnih vrata detektira prepreku kad se vrata zatvaraju, vrata će se vratiti u potpuno otvoreni položaj. Ako prepreka prekine zraku osjetnika svjetla na uređaju za otvaranje garažnih vrata zasvijetlit će 10 puta. Međutim, vrata možete zatvoriti zadržavanjem tipke na upravljaču za vrata ili ulazu bez ključa tako dugo dok se vrata ne zatvore do kraja. Infracrvene fotoćelije ne utječu na ciklus otvaranja.

## AKTIVIRANJE BROJAČA CIKLUSA I POSTUPAK BILJEŽENJA:

1. Za prelazak u ovaj način rada isključite napajanje RJO-a.
2. Pritisnite tipke za podešavanje (A) i bilježenje (L) pa ih zajedno držite kod ponovnog uspostavljanja napajanja.
3. Tipka sa strelicom „GORE“ (U) zasvijetlit će JEDANPUT za svakih tisuću završenih PUNIH ciklusa, ako su tipke za podešavanje (A) i bilježenje (L) pritisnute i zadržane.

Na primjer, ako je RJO odradio 8756 ciklusa, LED indikator će zasvijetliti 8 puta.

Za ponavljanje bilježenja, RJO otpojite s napajanja i ponovite postupak.

**Odašiljač svjetla (sa 78EV):** Služi za zabilježavanje odašiljača na daljinskom upravljaču MyQ pomoću višefunkcijskog zidnog regulatora.

Programiranje odašiljača na LED svjetlu za MyQ Remote:

1. Zajedno pritisnite i zadržite tipke za svjetlo i zaključavanje (LIGHT & LOCK).
2. Dok tipke držite pritisnute, pritisnite i zadržite jednu tipku na odašiljaču sve dok radno svjetlo RJO-a jedanput ne zasvijetli.
3. Nakon što radno svjetlo uređaja za otvaranje jedanput zasvijetli, otpustite tipke.

**Način rada za vrijeme godišnjeg odmora (s obveznim zidnim regulatorom 78EV).** Prijenosni daljinski upravljači ne funkcioniraju kad je ova značajka aktivirana. Pogledajte upute za 78EV.

**Ulaz bez ključa** (s obaveznom bežičnom tipkovnicom 747EV): za upravljanje vratima unesite četveroznamenkastu šifru po vlastitom izboru.

**Privremeni ulaz** (s obaveznom bežičnom tipkovnicom 747EV): za dozvoljavanje ograničenog pristupa garaži (vremenski ili prema broju otvaranja) moguće je programirati privremenu šifru.

**Značajka zatvaranja s jednom tipkom** (s obaveznom bežičnom tipkovnicom 747EV): Bez pristupne šifre vrata se mogu zatvoriti iz bilo kojeg položaja (ali ne i otvoriti).

## 24 Povezivanje s vašim pametnim telefonom

Wi-Fi® uređaj za otvaranje garažnih vrata kompatibilan je s najviše 16 omogućenih MyQ dodataka. S internim Wi-Fi pristupnikom uređaja za otvaranje garažnih vrata može se upariti najviše 10 uređaja. Tim se uređajima može upravljati pomoću MyQ aplikacije. Uređaji uključuju sve kombinacije uređaja za otvaranje garažnih vrata MyQ, Wi-Fi uređaja za otvaranje garažnih vrata, MyQ lampu, MyQ uređaje za upravljanje vratima. Pristupnik LiftMaster Internet Gateway (828EV)

može se dodati ako trebate upravljati s više od 10 uređaja koji koriste aplikaciju MyQ. Sa samim uređajem za otvaranje garažnih vrata može se upariti najviše 6 uređaja (kojima upravlja uređaj). Ti uređaji mogu biti kombinacija MyQ lampe ili garažnih vrata ili monitora vrata.

### Što vam je potrebno:

- Pametni telefon, tablet ili prijenosno računalo spojeni na Wi-Fi
- Širokopoljasni internetski priključak
- Wi-Fi signal u garaži (2,4 Ghz, 802,11b/g/n)
- Lozinka za kućnu mrežu (glavni korisnički račun preusmjerivača, ne može se koristiti mreža za goste)
- MyQ serijski broj nalazi se na uređaju za otvaranje garažnih vrata
- Infracrvene fotoćelije (dodatna opcija)
- LED lampa za MyQ daljinski upravljač (uključena u isporuku)

### SINKRONIZIRANJE REGULATORA ZA VRATA

Kako biste regulator za vrata 78EV sinkronizirali s uređajem za otvaranje vrata, pritisnite potisnu polugu sve dok se uređaj za otvaranje garažnih vrata ne aktivira (mogu biti potrebna 3 pritiska). Uređaj za otvaranje garažnih vrata mora proći cijeli ciklus prije nego se aktivira programiranje Wi-Fi-ja.

### SPAJANJE UREĐAJA ZA OTVARANJE GARAŽNIH VRATA S KUĆNOM WI-FI MREŽOM

1. Pritisnite i pustite žutu tipku BILJEŽENJE (L) na uređaju za otvaranje garažnih vrata 3 puta. Uređaj za otvaranje garažnih vrata oglasit će jedan zvučni signal. Za dovršetak postupka spajanja na raspolaganju vam je 20 minuta.
2. Na mobilnom uređaju idite na Postavke > Wi-Fi i odaberite mrežu s prefiksom „MyQ“.
3. Pokrenite internetsku tražilicu na svom pametnom telefonu ili tabletu. U traku za adrese u tražilici unesite setup.myqdevice.com. Slijedite upute na zaslonu, kako biste svoj uređaj za otvaranje garažnih vrata spojili na Wi-Fi mrežu. MyQ serijski broj bit će prikazan na zaslonu. Serijski broj upišite u prostor ispod.

4. Preuzmite aplikaciju MyQ app iz App Store® ili Google Play™ trgovina. Prijavite se na MyQ korisnički račun i svom računaru dodajte MyQ serijski broj.

Za dodavanje drugog uređaja za otvaranje garažnih vrata, ponovite korake 1-3. Svom računaru u aplikaciji dodajte drugi MyQ serijski broj.

**NOTES:** Aplikacija MyQ Smartphone Control **NEĆE** raditi ako uređaj za otvaranje garažnih vrata koristi akumulatorsko napajanje. Za brisanje Wi-Fi postavki, posjetite stranicu 15.

LED indikator (A) na uređaju za otvaranje garažnih vrata označit će status Wi-Fi-ja. Pogledajte tabelu u nastavku

LED INDIKATOR	OPIS
PLAVI	Off (Isklj.)- Wi-Fi nije uključen. Svijetli treptavo - uređaj za garažna vrata radi u načinu Wi-Fi bilježenja. Svijetli ujednačeno - mobilni uređaj je spojen s uređajem za otvaranje garažnih vrata
PLAVI I ZELENI	Svijetli treptavo - pokušava se spojiti na preusmjerivač („ruter“).
ZELENI	Svijetli treptavo - pokušava se spojiti na internetski poslužitelj. Svijetli ujednačeno - Wi-Fi je uspostavljen i uređaj za garažna vrata je spojen na internet.

---

## **25 Programiranje uređaja i daljinskog upravljača / bežična pritiska tipka / bežična tipkovnica (dodatna opcija)**

Uređaj za otvaranje aktivirajte samo kad su vrata vidljiva u cijelosti, bez ikakvih prepreka i ispravno podešena. Kad se vrata pomiču nitko ne bi smio ulaziti u niti izlaziti iz garaže. Djeci nemojte dozvoljavati rukovanje pritiskom tipkom ili daljinskim upravljačem. Djeci nemojte dozvoliti da se igraju u blizini vrata. Vaš prijamnik uređaja za otvaranje garažnih vrata i jedna od tipki na daljinskom upravljaču unaprijed su programirani. Budete li nabavljali dodatne daljinske uređaje, uređaj za otvaranje garažnih vrata treba programirati kako bi mogao prihvatiti nove šifre.

**PROGRAMIRANJE PODUDARANJA PRIJAMNIKA S DODATNIM DALJINSKIM UPRAVLJAČIMA:  
KORIŠTENJE ŽUTE OKRUGLE TIPKE**

1. Pritisnite i pustite žutu okruglu tipku (L) na uređaju za otvaranje. Indikator bilježenja svijetliće ujednačenim svjetlom 30 sekundi.
2. U roku od 30 sekundi, pritisnite i zadržite tipku na daljinskom upravljaču kojom želite upravljati garažnim vratima.
3. Pustite tipku kad svjetlo na uređaju za otvaranje zasvijetli jedanput. To znači da je uređaj zabilježio šifru. Uređaj će sad raditi kad se pritisne tipka na daljinskom upravljaču. Ako tipku na daljinskom upravljaču pustite prije nego se na uređaju upali treptavo svjetlo, uređaj neće zabilježiti šifru.

**ULAZAK BEZ KLJUČA**

1. Pritisnite i pustite žutu okruglu tipku (L) na uređaju za otvaranje. Indikator bilježenja svijetliće ujednačenim svjetlom 30 sekundi.
2. Na tipkovnici za ulazak bez ključa unesite četveroznamenkasti PIN po vlastitom izboru.
3. Nakon toga pritisnite tipku ENTER.
4. Kad je šifra programirana svjetlo na uređaju za otvaranje garažnih vrata će zasvijetliti (ili će se čuti dva „klika“). Za programiranje dodatnih daljinskih upravljača ili uređaja za ulazak bez ključa ponovite navedene korake. Ako programiranje ne uspije, daljinski upravljač programirajte pomoću tipke za bilježenje.

**BRISANJE SVIH ŠIFRI ZA DALJINSKO UPRAVLJANJE**

Za deaktivaciju neželjenih daljinskih upravljača, najprije izbrišite sve šifre: pritisnite i zadržite žutu okruglu tipku na uređaju za otvaranje garažnih vrata sve dok se indikator bilježenja ne ugasi (otprilike 10 sekundi). Sve prethodne šifre sad su izbrisane. Ponovno programirajte svaki daljinski upravljač ili ulazak bez ključa koje želite koristiti.

---

## **26 Programiranje LED lampe za MyQ Remote**

Vaša lampica za daljinski upravljač uređaja za otvaranje garažnih vrata tvornički je programirana da radi u skladu s uređajem. Dodatne i zamjenske lampe za daljinski upravljač trebat će ponovno programirati.

**PROGRAMIRANJE UREĐAJA ZA OTVARANJE GARAŽNIH VRATA ZA LED LAMPU ZA MYQ REMOTE LED LIGHT:**

1. Pritisnite tipku za BILJEŽENJE (L) na lampi dok se ne upali (ON) zeleni LED indikator.
2. Pritisnite tipku za BILJEŽENJE (L) na uređaju za otvaranje garažnih vrata.
3. Šifra je programirana kad svjetlo na daljinskom upravljaču zasvijetli jedanput.

**PROGRAMIRANJE DALJINSKOG UPRAVLJAČA ZA MYQ REMOTE LED LIGHT:**

1. Pritisnite tipku za BILJEŽENJE (L) na lampi dok se ne upali (ON) zeleni LED indikator.
2. Pritisnite tipku na daljinskom upravljaču kojom želite upravljati lampom.
3. Šifra je programirana kad svjetlo na daljinskom upravljaču zasvijetli jedanput.

Za programiranje lampe s ostalim dodacima, proučite priručnike za dodatke.

**DODAVANJE MYQ REMOTE LED LIGHT MYQ KORISNIČKOM RAČUNU**

1. Pritisnite tipku za BILJEŽENJE (L) na lampi dok se ne upali (ON) zeleni LED indikator.
2. Prijavite se u aplikaciju MyQ i dodajte MyQ Remote LED Light.

**BRISANJE SVIH PROGRAMIRANIH POSTAVKI S MYQ REMOTE LED LIGHT**

1. Pritisnite i zadržite tipku za BILJEŽENJE (L) sve dok se LED indikator ne ugasi (6 - 10 sekundi). Sve programirane postavke sad su izbrisane.

---

## 27 **Brisanje memorije**

### BRISANJE SVIH DALJINSKIH UPRAVLJAČA I ULAZAKA BEZ KLJUČA

1. Pritisnite i zadržite tipku za BILJEŽENJE (L) na uređaju za otvaranje garažnih vrata sve dok se LED indikator bilježenja ne ugasi (otprilike 6 sekundi). Svi daljinski upravljači i šifre za ulazak bez ključa sad su izbrisani. Ponovno programirajte sve dodatke koje želite koristiti.

### BRISANJE SVIH UREĐAJA (UKLJ. AKTIVNE MYQ DODATKE)

1. Pritisnite i zadržite tipku za BILJEŽENJE (L) na uređaju za otvaranje garažnih vrata sve dok se LED indikator bilježenja ne ugasi (otprilike 6 sekundi).
2. Odmah ponovno pritisnite i zadržite tipku za BILJEŽENJE, sve dok se LED indikator bilježenja ne ugasi. Sve šifre sad su izbrisane. Ponovno programirajte sve dodatke koje želite koristiti.

### BRISANJE WI-FI MREŽE S UREĐAJA ZA OTVARANJE GARAŽNIH VRATA

1. Pritisnite i zadržite crnu tipku za podešavanje (A) na uređaju za otvaranje garažnih vrata, sve dok ne začujete 3 zvučna signala (oko 6 sekundi).

### BRISANJE MYQ KORISNIČKOG RAČUNA

Za brisanje MyQ korisničkog računa idite na [myliftmaster.eu](http://myliftmaster.eu).

---

## 28 **Održavanje uređaja za otvaranje garažnih vrata**

### PLAN ODRŽAVANJA

#### SVAKI MJESEC

- Ručno otvorite vrata. Ako nisu izbalansirana ili se savijaju, pozovite tehničara specijaliziranog za sustave garažnih vrata.
- Provjerite je li otvaranje i zatvaranje vrata potpuno. Ako je potrebno podesite graničnike (pogledajte točku 20 „Programiranje kretanja“).
- Ponovite provjeru sigurnog vraćanja u otvoreni položaj. Podesite ako je potrebno (pogledajte točku 21 „Provjera sustava za sigurno vraćanje vrata u otvoreni položaj“).

#### SVAKE GODINE

- Nauljite valjke, ležajeve i šarke na vratima. Uređaj za otvaranje garažnih vrata nije potrebno dodatno podmazivati. Nemojte podmazivati vodilice za vrata.

### LED LAMPA ZA MYQ DALJINSKI UPRAVLJAČ

- Prije čišćenja lampu otpojite s napajanja.
  - Za čišćenje koristite navlaženu krp.
  - Na poklopcu lampe NEMOJTE koristiti tekuća sredstva za čišćenje.
- 

## 29 **Zamjena baterija daljinskog upravljača**

### Baterija daljinskog upravljača;

Baterije daljinskog upravljača imaju izrazito dug vijek trajanja. Ako raspon prijenosa postane manji, baterije je potrebno zamijeniti. Baterije nisu uključene u jamstvo.

#### Što se tiče baterija pridržavajte se sljedećih uputa:

Baterije se ne smiju zbrinjavati u otpadu iz kućanstava. Svi potrošači baterija moraju se obvezno pridržavati zakonskih obveza o pravilnom zbrinjavanju baterija na za to označenim mjestima prikupljanja. Nemojte nikada puniti baterije koje nisu namijenjene za punjenje.

#### Opasnost od eksplozije!

Baterije držite podalje od dohvata djece, nemojte ih kratko spojati niti ih rastavljati. U slučaju gutanja baterije odmah se obratite liječniku. Ako je potrebno, očistite kontakte na bateriji i uređajima prije umetanja. Prazne baterije odmah izvadite iz uređaja!

#### Povećani rizik od iscurjevanja!

Baterije nemojte nikada izlagati prekomjernoj vrućini od, od primjerice sunčevog svjetla, vatre i sl.!

Postoji povećani rizik od iscurjevanja!

Izbjegavajte doticaj s kožom, očima i sluznicom. Mjesta koja su došla u doticaj s kiselinom iz baterije isperite s puno vode i odmah se obratite liječniku. Koristite samo baterije iste vrste. Ako se uređaj neće koristiti dulje vrijeme, izvadite baterije.

#### Zamjena baterije:

Kako biste zamijenili bateriju, okrenite daljinski upravljač i pomoću odvijača otvorite pretinac. Podignite poklopac i pločicu za upravljanje koja se nalazi ispod njega. Gurnite bateriju na jednu stranu i izvadite ju. Pazite na polaritet! Sastavite uređaj ponavljajući korake obrnutim redoslijedom.

#### OPREZ!

Ako baterija nije ispravno umetnuta postoji opasnost od eksplozije. Zamijenite ju samo istovjetnim ili jednakovrijednim tipom baterije (CR2032) 3V.

## 30 Zbrinjavanje

Pakiranje treba zbrinuti u lokalne spremnike za recikliranje. U skladu s Europskom direktivom 2002/96/EZ o otpadnoj električnoj i elektroničkoj opremi (OEEO), ovaj se uređaj mora propisno zbrinuti nakon korištenja, kako bi se omogućilo recikliranje materijala od kojih je sastavljen.



Stari akumulatori i baterije ne smiju se odlagati u kućanski otpad jer zadržavaju zagađivače i moraju se zbrinuti na označenim mjestima prikupljanja ili u spremnicima koje osigurava komunalno poduzeće. Treba se obvezno pridržavati lokalnih propisa specifičnih za državu.

Komponente se moraju pravilno zbrinjivati putem poduzeća specijaliziranog za zbrinjavanje otpada. Strogo poštovanje lokalnih i propisa specifičnih za državu je obvezno. Nijedna rastavljena pogonska komponenta ne smije se odlagati u otpad iz kućanstava.

Nadležno tijelo (grad) ili poduzeće za gospodarenje otpadom obavijestit će vas o mogućnostima zbrinjavanja.

## 31 Dijagnostička tabela

Programiranje vašeg uređaja za otvaranje garažnih vrata omogućuje mu obavljanje samo-dijagnostike grešaka. Strelice za GORE i DOLJE na uređaju za otvaranje garažnih vrata treperenjem upućuju na dijagnostičku šifru.

DIJAGNOSTIČKA ŠIFRA	PROBLEM	RJEŠENJE	
Strelica prema gore Svijetli treptavim svjetlom	Strelica prema dolje Svijetli treptavim svjetlom		
1	1	Uređaj za otvaranje garažnih vrata neće zatvoriti vrata i indikator svijetli treptavim svjetlom.	Infracrvene ćelije su instalirane ali nisu spojene ili su žice otpojene. Provjerite jesu li žice osjetnika isključene ili otpojene.
1	2	Uređaj za otvaranje garažnih vrata neće zatvoriti vrata i indikator svijetli treptavim svjetlom.	Infracrvene ćelije imaju kratko ili obrnuto spojevu žicu. Provjerite žice fotoćelija na mjestima spajanja i točkama priključaka te zamijenite žice ili popravite spoj.
1	3	Upravljanje vratima ne funkcionira.	Žice za upravljanje vratima su kratko spojene ili postoji kvar na upravljanju. Provjerite žice za upravljanje vratima na mjestima spajanja i točkama priključaka te, po potrebi, zamijenite žice.
1	4	Uređaj za otvaranje garažnih vrata neće zatvoriti vrata i indikator svijetli treptavim svjetlom.	Infracrvene fotoćelije su ugrađene ali nisu podešene ili trenutačno postoji prepreka. Ponovno podesite oba senzora tako da LED indikatori svijetle ujednačeno i ne trepte. Pobrinite se da s vrata ništa ne visi niti da na njima nije postavljeno ništa što bi tijekom zatvaranja moglo prekidati putanju senzora.
1	5	Vrata se pomiču 15-20 cm i zaustave se ili se vraćaju u otvoreni položaj.	Ručno otvorite i zatvorite vrata. Provjerite savijanje ili prepreke, poput slomljene opruge ili brave na vratima te ih, ako je potrebno, popravite. Provjerite žičane priključke na modulu za kretanje i na matičnoj ploči. Ako je potrebno, zamijenite modul za kretanje.
1	5	Nema pomaka, čuje se samo zvučni signal („klik“).	Ručno otvorite i zatvorite vrata. Provjerite savijanje ili prepreke, poput slomljene opruge ili brave na vratima te ih, ako je potrebno, popravite. Ako je potrebno zamijenite matičnu ploču.
1	5	Uređaj za otvaranje brui 1-2 sekunde ali se vrata ne pomiču	Ručno otvorite i zatvorite vrata. Provjerite savijanje ili prepreke, poput slomljene opruge ili brave na vratima te ih, ako je potrebno, popravite. Ako je potrebno zamijenite motor.
1	6	Vrata se pomiču („plešu“) i nakon što su se potpuno zaustavila.	Programirajte ih za pomicanje ili pozovite tehničara da izbalansira vrata
2	1-5	Nema nikakvog kretanja niti zvuka.	Zamijenite matičnu ploču.
3	1	Uređaj za otvaranje garažnih vrata pokreće se polako i zatim se zaustavlja.	Ponovno aktivirajte uređaj za otvaranje garažnih vrata. Ako se problem nastavi, zamijenite matičnu ploču.
3	3	LED indikator statusa baterije stalno treperi.	Greška punjenja sklopa pričuvnog akumulatora, zamijenite matičnu ploču.

DIJAGNOSTIČKA ŠIFRA		PROBLEM	RJEŠENJE
Strelica prema gore Svijetli treptavim svjetlom	Strelica prema dolje Svijetli treptavim svjetlom		
3	5	Uređaj za otvaranje garažnih vrata neće zatvoriti vrata ili se vrata prilikom kretanja vraćaju u otvoreni položaj.	uklonjen, otpojite i ponovno spojite uređaj za otvaranje tri puta kako bi uređaj ponovno zabilježio monitor. • provjerite postoje li prepreke i uklonite ih. • provjerite je li monitor za praćenje napetosti kabela ispravno spojen s uređajem za otvaranje. • zamijenite monitor za praćenje napetosti kabela.
4	1-4	Vrata se kreću, zaustave se i vrata u otvoreni položaj.	Ručno otvorite i zatvorite vrata. Provjerite savijanje ili prepreke, poput slomljene opruge ili brave na vratima te ih, ako je potrebno, popravite. Ako se vrata savijaju ili dotiču površine, pozovite tehničara specijaliziranog za sustave garažnih vrata. Ako se vrata ne savijaju niti ne dotiču površine, pokušajte reprogramirati kretanje vrata.
4	5	Uređaj za otvaranje pomiče se oko 15-20 cm, zaustavlja se i vraća natrag u otvoreni položaj.	Greška komunikacije s modulom za kretanje. Provjerite priključke modula za kretanje, ako je potrebno zamijenite modul.
4	6	Uređaj za otvaranje garažnih vrata neće zatvoriti vrata i indikator svijetli treptavim svjetlom.	Infracrvene fotočelije nisu podešene ili trenutno postoji prepreka. Ponovno podesite oba senzora tako da LED indikatori svijetle ujednačeno i ne trepte. Pobrinite se da s vrata ništa ne visi niti da na njima nije postavljeno ništa što bi tijekom zatvaranja moglo prekidati putanju senzora.
5	5	Vrata se ne zatvaraju kad koristite programator zatvaranja vrata (Timer-to-Close - TTC) ili aplikaciju MyQ Smartphone Control.	Kako biste za upravljanje vratima mogli koristiti TTC ili aplikaciju MyQ, LED lampa za MyQ daljinski upravljač mora biti ugrađena. Spojite LED lampu za MyQ daljinski upravljač na napajanje i provjerite je li programirana za uređaj za zatvaranje garažnih vrata.

## 32 Uklanjanje kvarova

### Uređaj za zatvaranje vrata ne funkcionira niti preko upravljanja vratima niti preko daljinskog upravljanja:

- Je li uređaj za otvaranje garažnih vrata spojen na napajanje? Lampu spojite na utičnicu. Ako ne svijetli, provjerite kutiju s osiguračima ili prekidač. (Nekim utičnicama upravlja se preko zidnog prekidača.)
- Jeste li onemogućili sve brave na vratima? Proučite upozorenja u uputama za ugradnju na strani 5.
- Jesu li žičani spojevi pravilno izvedeni?
- Nije li se ispod vrata nakupio led ili snijeg? Vrata mogu biti smrznuta na tlu. Uklonite prepreku.
- Opruga garažnih vrata može biti slomljena. Zamijenite ju (pogledajte točku 3. Planiranje).

### Uređaj za otvaranje vrata radi pomoću kontrolne stanice s jednom tipkom, ali ne i putem daljinskog upravljača:

- Reprogramirajte daljinski upravljač i ako je potrebno zamijenite baterije. Isto učinite sa svim daljinskim upravljačima.

### Vrata se otvaraju i zatvaraju sama:

- Provjerite jesu li sve pritisne tipke na daljinskom upravljaču isključene.
- Žicu zvona izvadite iz priključka na kontrolnoj stanici s jednom tipkom i za upravljanje koristite samo daljinski upravljač. Ako ste time riješili problem, kvar je u kontrolnoj stanici s jednom tipkom ili postoji kratki spoj žice. Zamijenite kontrolnu stanicu.
- Obrišite memoriju i reprogramirajte sve daljinske upravljače (proučite upute).

### Moj daljinski upravljač ne aktivira garažna vrata:

- Provjerite nije li na upravljanju vratima aktivirana značajka blokiranja.
- Reprogramirajte daljinski upravljač.
- Ako se daljinskim upravljačem vrata i dalje ne mogu aktivirati, provjerite dijagnostičke šifre kako biste bili sigurni da uređaj za otvaranje vrata radi ispravno.

### Daljinski upravljač ima mali raspon:

- Promijenite mjesto daljinskog upravljača u automobilu.
- Neki uređaji imaju manji raspon zbog metalnih vrata, izolacijskih folija ili metalnih bočnih strana garaže.



**Vrata se ne otvaraju do kraja:**

- Provjerite električnu bravu na vratima.
- Ometa li nešto kretanje vrata? Jesu li ispravno izbalansirana ili je opruga polomljena? Uklonite prepreku ili popravite vrata.

**Vrata se otvaraju ali se ne mogu zatvoriti:**

- Provjerite je li monitor za praćenje napetosti kabela pravilno ugrađen. Ako je drugi monitor za praćenje napetosti kabela uklonjen, slijedite upute za ponovno bilježenje samo jednog monitora za praćenje napetosti kabela (pogledajte točku 14).
- Infracrvene ćelije moraju biti priključene i pravilno podešene prije nego uređaj za otvaranje garažnih vrata započne sa spuštanjem vrata. Ako vrata možete zatvoriti primjenom stalnog pritiska, provjerite jesu li infracrvene ćelije pravilno ugrađene i podešene te nema li za njih nikakvih prepreka.
- Ako svjetla na uređaju za otvaranje garažnih vrata svijetle treptavim svjetlom, provjerite infracrvene fotoćelije.
- Ako svjetla na uređaju za otvaranje garažnih vrata ne svijetle i radi se o novoj instalaciji (pogledajte točku 14). Za postojeće instalacije pogledajte upute u nastavku.

Nakon završenog podešavanja ponovite provjeru sigurnog vraćanja u otvoreni položaj.

**Vrata se vraćaju u otvoreni položaj bez vidljivog razloga, a svjetla na uređaju za otvaranje vrata ne svijetle:**

- Provjerite je li monitor za praćenje napetosti kabela pravilno ugrađen. Ako uklonite jedan od monitora za praćenje napetosti kabela, iz uređaja za otvaranje vrata otpojite oba. Zatim onaj monitor koji želite koristiti ponovno spojite, a uređaj za otvaranje vrata ponovno otpojite i spojite tri puta kako bi ponovno zabilježio spojeni monitor. Otpornik 1k koji je dio kompleta služi za uklanjanje kvara samo na uspostavljanju CMT-a. Sukladno normi EN12453 potrebno je ugraditi nadzor napetosti kabela radi ispravne detekcije labavosti kabela.
- Ometa li nešto kretanje vrata? Povucite ručicu za otpuštanje u hitnim slučajevima. Ručno upravljajte vratima. Ako nisu izbalansirana ili se savijaju, pozovite tehničara specijaliziranog za sustave garažnih vrata.
- Očistite snijeg ili led s prostora poda garaže, na mjestu gdje se vrata zatvaraju.
- Ponovno proučite točku 20.

Ponovite provjeru sigurnog vraćanja u otvoreni položaj.

**Vrata se ne zatvaraju i lampa svijetli treptavim svjetlom:**

Infracrvene ćelije moraju biti priključene i pravilno podešene prije nego uređaj za otvaranje garažnih vrata započne sa spuštanjem vrata.

- Provjerite jesu li infracrvene ćelije ispravno ugrađene, podešene te nema li nikakvih prepreka.

**Uređaj za otvaranje garažnih vrata „muči“ se tijekom pomicanja vrata:**

- Možda vrata nisu izbalansirana ili su opruge slomljene. Zatvorite vrata i ručicom za otpuštanje u hitnim slučajevima oslobodite vrata. Ručno otvorite i zatvorite vrata. Ispravno izbalansirana vrata mogu stajati u bilo kojoj točki kretanja podržana samo oprugama. Ako to nije tako, otpojite uređaj za otvaranje garažnih vrata i pozovite tehničara specijaliziranog za sustave garažnih vrata.

**Motor uređaja za otvaranje garažnih vrata je nakratko zabrujio i više ne radi:**

- Opruge garažnih vrata mogu biti slomljene. Pogledajte prethodne upute.
- Ako se problem pojavi prilikom prvog rukovanja garažnim vratima, vrata su možda blokirana. Onemogućite električnu bravu na vratima.

**Uređaj za otvaranje garažnih vrata ne radi zbog kvara na napajanju:**

- Ručno otvorite električnu bravu na vratima.
- Ručicom za otpuštanje u hitnim slučajevima oslobodite vrata. Vrata se mogu otvarati i zatvarati ručno. Nakon ponovnog uspostavljanja napajanja, drugi put povucite ručno otpuštanje.
- Onemogućite sve brave na vratima. Ručicom za otpuštanje u hitnim slučajevima oslobodite vrata. Vrata se mogu otvarati i zatvarati ručno.

**Za vrata ne postoje graničnici:**

- Prsten nije sigurno stegnut. Stegnite prsten i reprogramirajte graničnike (pogledajte točku 20).

**Uređaj za otvaranje vrata pomiče se kad se vrata kreću:**

- Kod ovog proizvođača mali pomaci su normalni. Ako se radi o većim pomacima prsten se se prerano istrošiti.
- Provjerite ne miče li se torzijska poluga previše lijevo ili desno.
- Provjerite ne miče li se torzijska poluga vidljivo gore ili dolje prilikom okretanja.
- Provjerite je li uređaj za otvaranje postavljen pod pravim kutom u odnosu na osovinu. Ako nije promijenite položaj nosača.

**Priključak automatske brave za vrata ne odgovara utikaču uređaja za otvaranje vrata:**

- Stariji modeli brava za vrata 24V nisu kompatibilni. Koristite model brave 841EU, pogledajte stranicu s Dodacima

**Automatska brava za garažna vrata ne aktivira se kad se vrata zatvaraju ili otvaraju:**

- Tijekom rada s pričuvnim akumulatorom, brava za automatsko zaključavanje garažnih vrata otključava se kad su vrata otvorena i ostaje isključena sve do ponovnog uspostavljanja napajanja.

**Uređaj za otvaranje garažnih vrata šalje zvučni signal:**

- To označava zatvaranje bez nadzora. Uređaj za otvaranje vrata aktivirala je aplikacija MyQ ili Monitor garaže ili vrata.
- Uz neprekidno narančasto LED svjetlo otprilike svake 2 sekunde javlja se i zvučni signal, što znači da uređaj za otvaranje garažnih vrata radi s pričuvnim akumulatorom.
- Uz treptavo narančasto LED svjetlo svakih 30 sekundi oglašava se i zvučni signal, što znači da je akumulator prazan.
- Uz neprekidno crveno LED svjetlo svakih 30 sekundi javlja se i zvučni signal, što znači da se 12 V akumulator više ne može napuniti i da ga je potrebno zamijeniti.

**Garažna vrata šalju zvučni signal i crveni LED indikator svijetli treptavim svjetlom:**

Akumulator je gotovo ili potpuno prazan.

- Zamijenite akumulator.

**Aplikacija MyQ Smartphone Control, bežični MyQ uređaji i programator zatvaranja vrata (TTC) ne rade:**

- Tijekom rada s pričuvnim akumulatorom, aplikacija MyQ Smartphone Control i bežični MyQ uređaji i programator zatvaranja vrata (TTC) bit će onemogućeni.
- Kako biste za upravljanje vratima mogli koristiti TTC ili aplikaciju MyQ, LED lampa za MyQ upravljanje putem mobitela mora biti ugrađena. Spojite LED lampu za MyQ daljinski upravljač na napajanje i provjerite je li programirana za uređaj za zatvaranje garažnih vrata. Omogućavanje TTC-a i aplikacije MyQ Smartphone Control moglo bi potrajati najviše 5 minuta.

### 33 Dodatni pribor

Uvijek koristite pribor LiftMaster.

Vanjski ugrađeni proizvodi mogu izazivati kvarove.

1.	TX4UNIF	Četverokanalni univerzalni daljinski upravljač
2.	TX4EVS	Četverokanalni daljinski upravljač
3.	TX4UNI/S	Četverokanalni univerzalni daljinski upravljač
4.	128EV	Bežični dvokanalni zidni regulator
5.	747EV	Tipkovnica
6.	78EV	Višefunkcijski zidni regulator s kabelom
7.	FLA-1LED	Treptavo svjetlo
8.	772E	Fotočelije
9.	100034	Prekidač s ključem (ugradnja u ravnini zida)
10.	100041	Prekidač s ključem (nadžbukna ugradnja)
11.	829EV	Monitor za garažna vrata
12.	485EU	Pričuvni akumulator
13.	827EV	LED lampa za MYQ daljinski upravljač
14.	041A9264	Monitor za praćenje napetosti kabela
15.	841EU	Brava za automatsko zaključavanje vrata

### 34 Tehnički podaci

Ulazni napon	230-240 VAC, 50 Hz
Maks. zakretni moment	36 Nm - AC + AKUMULATOR 29 Nm - AC
Nazivni zakretni moment	10 Nm
Snaga	150 W
Snaga u stanju mirovanja	2,6 W
Tip motora	Tajno podmazivanje motora istosmjernje struje s reduktorom
Jačina buke	57dB
Brzina kretanja	21 o/min (dolje), 36 o/min (gore)
Osobna zaštita	Pritisna tipka i automatsko zaustavljanje prilikom spuštanja. Pritisna tipka i automatsko zaustavljanje prilikom podizanja.
Elektronika	Automatsko podešavanje sile
Električni uređaji	Zaštita preopterećenja transformatora i niskonaponsko ožičenje pritisne tipke.
Grafični uređaja	Optički O/MIN / detektor prolazne točke.
Podešavanje graničnika	Elektroničko, poluautomatsko i automatsko.
Sklop za pokretanje	Niskonaponski sklop s pritisnom tipkom.
Maks. visina vrata	3 m
Maks. širina vrata	5,5 m
Maks. prostor vrata	16.5 m <sup>2</sup>
Maks. težina vrata	130 kg
Težina vješanja	11 kg
Direktoriji memorije prijavnika	64
Radna frekvencija	433 / 868 MHz, 2,4 GHz

## 35 Vodič za sigurnost i održavanje uređaja za automatsko otvaranje garažnih vrata

### SIGURNOST UREĐAJA ZA OTVARANJE GARAŽNIH VRATA – AUTOMATSKA ODLUKA

Garažna vrata najveći su pokretni predmet u domu. Nepravilno podešena garažna vrata i uređaj za njihovo otvaranje mogu prilikom zatvaranja vrata uzrokovati silu sa smrtnim posljedicama – djeca ili odrasle osobe mogu zaglaviti, teško se ozlijediti ili podlegnuti ozljedama.

Pravilna ugradnja, rad, održavanje i ispitivanje garažnih vrata i uređaja za automatsko otvaranje potrebni su kako bi se uspostavio siguran sustav koji radi bez poteškoća. Nepažljivim rukovanjem ili dozvoljavanjem djeci da se igraju ili koriste komande uređaja za otvaranje garažnih vrata također nastaju opasne situacije koje mogu imati tragične posljedice. Primjenom nekoliko jednostavnih mjera opreza svoju obitelj i prijatelje možete zaštititi od potencijalne opasnosti. Molimo vas da proučite savjete za sigurnost i održavanje sadržane u ovoj brošuri i zadržite ih ako vam kasnije zatrebaju. Provjerite rad svojih garažnih vrata i uređaja za njihovo otvaranje, kako biste se uvjerali da rade sigurno i bez ikakvih poteškoća. Svakako pročitajte sve Važne sigurnosne informacije navedene u priručniku za uređaj za otvaranje garažnih vrata, jer one sadrže još više pojedinosti i sigurnosnih uputa od onih navedenih u ovoj brošuri.

### Uređaj za otvaranje garažnih vrata nisu igračke

Porazgovarajte sa svojom djecom o sigurnosti garažnih vrata i uređaja za njihovo otvaranje. Objasnite im moguću opasnost da ostanu zaglavljani ispod vrata.



**Nemojte se približavati vratima koja se pomiču.**



**Odašiljače i daljinske upravljače držite podalje od dohvata djece.** Nemojte djeci dozvoliti igranje ili korištenje odašiljača ili drugih uređaja za daljinsko upravljanje.



**Zidna tipka na pritisak trebala bi biti postavljena izvan dohvata djece,** najmanje 5 stopa (oko 1,5 m) d najbliže površine za stajanje i udaljena od svih pokretnih dijelova. Tipku postavite i koristite na mjestu gdje možete jasno vidjeti zatvaranje garažnih vrata.



**Kad koristite zidnu tipku na pritisak ili odašiljač promatrajte vrata sve dok se ne zatvore do kraja.**

## 36 Rutinsko održavanje može spriječiti tragediju

Neka vam mjesečne provjere i ispitivanja sustava garažnih vrata i uređaja za otvaranje postanu rutinski postupak. Proučite priručnik za vlasnika, kako za vrata tako i za uređaj za zatvaranje vrata. Ako nemate priručnik za vlasnika obratite se proizvođaču i zatražite primjerak za svoj model. Broj modela uređaja za otvaranje vrata nalazi se na stražnjoj strani jedinice za napajanje.



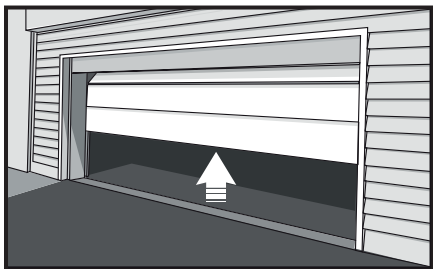
**UPOZORENJE – opruge su jako napete.**  
Njih smiju podešavati samo stručno osposobljene osobe.

### Vizualno provjerite vrata i instalacije:



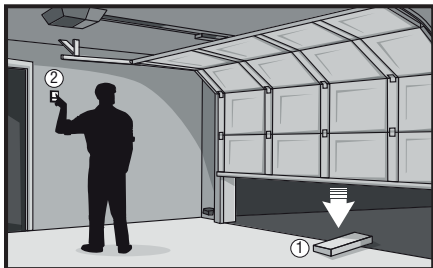
- S vratima u zatvorenom položaju ručnim isključivanjem na uređaju za zatvaranje vrata otpojite vrata.
- Provjerite nema li na šarkama, valjcima, oprugama i panelima vrata tragova habanja ili oštećenja.
- Te je dijelove potrebno redovito podmazivati. Prijedloge za održavanje potražite u priručniku za vlasnika.
- Ako postoje vidljiva oštećenja, za pomoć se obratite tehničaru specijaliziranom za sustave garažnih vrata.
- Provjerite visinu „foto-oka“, koja ne smije biti veća od 6" (15 cm) od poda garaže.

### Provjera pravilnog funkcioniranja vrata:



- Vrata otvorite i zatvorite ručno, pomoću ručica ili odgovarajućih točki za hvatanje.
- Vrata bi se trebala pomicati slobodno i bez teškoća.
- Vrata bi trebala balansirati i ostati djelomično otvorena 3 - 4 stope (90 - 120 cm) iznad poda garaže.
- Ako utvrdite nepravilnosti u radu, za pomoć se obratite tehničaru specijaliziranom za sustave garažnih vrata.

### Provjera sigurnosnih značajki uređaja za otvaranje vrata:



- Uređaj za otvaranje ponovno spojite s vratima koristeći značajku ručnog otvaranja i otvorite vrata.
- Ploču debljine 40 mm ravno položite na putanju vrata (1) i pokušajte ih zatvoriti (2). Vrata bi se trebala zatvoriti kad dođu u doticaj s pločom i krenuti u suprotnom smjeru.
- Senzor za fotočelije blokirajte pomicanjem predmeta ispred senzora te pokušajte zatvoriti vrata. Vrata se ne bi smjela zatvoriti osim ako tijekom postupka ručno ne držite pritisnutu zidnu tipku.
- Ako uređaj ne radi kako je opisano, za pomoć se obratite tehničaru specijaliziranom za sustave garažnih vrata.

**Notă:**

Instrucțiunile de montaj și de utilizare originale au fost compilate în limba engleză.

Instrucțiunile disponibile în orice altă limbă reprezintă o traducere a versiunii originale în limba engleză.

<b>1</b>	Instrucțiuni generale de siguranță .....	2
<b>2</b>	Utilizare preconizată .....	3
<b>3</b>	Planificarea funcționării porții.....	3
<b>4</b>	Planificarea funcționării MyQ.....	3
<b>5</b>	Pregătirea porții dvs. de garaj.....	4
<b>6</b>	Unelte necesare .....	4
<b>7</b>	Conținutul cutiei de carton.....	4
<b>8</b>	Accesorii solicitate.....	5
<b>9</b>	Montarea manșonului la sistemul de acționare pentru porți de garaj .....	5
<b>10</b>	Montarea suportului de montaj la sistemul de acționare pentru porți de garaj .....	5
<b>11</b>	Poziționarea și montarea sistemului de acționare pentru porți de garaj.....	5
<b>12</b>	Montarea frânghiei și mânerului de decuplare de urgență .....	6
<b>13</b>	Montarea închizătorii automate de poartă .....	6
<b>14</b>	Montarea dispozitivului de monitorizare a tensionării cablului (041A9264) (accesoriu necesar) .....	7
<b>15</b>	Montarea lămpii cu led MyQ controlată de la distanță (proiectată numai pentru zone uscate) .....	7
<b>16</b>	Conectarea electrică.....	8
<b>17</b>	Montajul fotocelulelor .....	8
<b>18</b>	Conectarea alimentării electrice .....	8
<b>19</b>	Montarea sistemului de alimentare de rezervă cu baterie (Accesoriu opțional) .....	9
<b>20</b>	Programarea cursei .....	9
<b>21</b>	Testarea sistemului de siguranță pentru inversarea deplasării.....	10
<b>22</b>	Deschiderea manuală a porții.....	10
<b>23</b>	Utilizarea sistemului dvs. de acționare pentru porți de garaj.....	11
<b>24</b>	Conectarea la smartphone-ul dvs.....	13
<b>25</b>	Programarea sistemului dvs. de acționare pentru porți de garaj și a telecomenzii/butonului de apăsare fără fir/tastaturii fără fir (Opțional) .....	14
<b>26</b>	Programarea lămpii cu led MyQ controlată de la distanță .....	14
<b>27</b>	Ștergerea memoriei .....	15
<b>28</b>	Întreținerea sistemului dvs. de acționare pentru porți de garaj.....	15
<b>29</b>	Înlocuirea bateriilor telecomenzii .....	15
<b>30</b>	Eliminare.....	16
<b>31</b>	Diagrama de diagnoză .....	16
<b>32</b>	Identificarea și remedierea defecțiunilor.....	17
<b>33</b>	Accesorii opționale .....	19
<b>34</b>	Technical Data .....	20
<b>35</b>	Ghid de siguranță și întreținere pentru sistem automat de acționare pentru porți de garaj .....	20
<b>36</b>	Întreținerea de rutină poate preveni tragediile.....	22

# AVERTISMENT!

## MAI ÎNTÂI CITIȚI PREZENTELE INSTRUCȚIUNI IMPORTANTE PRIVIND SIGURANȚA!

### 1 Instrucțiuni generale de siguranță

Înainte de a începe montajul:

Vă rugăm să citiți instrucțiunile de utilizare și, în mod special, măsurile de precauție. Păstrați manualul pentru a-l consulta în viitor și a-l transmite unui eventual proprietar ulterior. Următoarele simboluri sunt așezate în fața instrucțiunilor pentru a se evita vătămările corporale sau daunele materiale. Citiți cu atenție prezentele instrucțiuni.



#### ATENȚIE

Pericol de vătămare corporală sau daune materiale



#### ATENȚIE

Pericol cauzat de curent electric sau tensiune

#### Informații importante privind siguranța

Bineînțeles, sistemul automat de acționare pentru porți a fost testat și proiectat pentru o funcționare în condiții de siguranță, dar siguranța se poate asigura numai dacă în timpul montajului și funcționării se respectă cu strictețe instrucțiunile de siguranță enumerate mai jos. Acest produs poate fi montat numai de către tehnicieni calificați pentru porți de garaj. Produsul poate necesita ajustări ale configurațiilor arcurilor și/sau șinelor de poartă. Acest produs nu este destinat utilizării pe șine cu înălțime liberă redusă și cu tambur de ridicare exterior, sau cu porți de garaj care utilizează arcuri de extensie.

- Înainte de a începe orice lucrare, montatorul (persoana calificată) trebuie să citească cu atenție prezentele instrucțiuni și să le înțeleagă. Înainte de prima punere în funcțiune și ulterior cel puțin o dată pe an, ferestrele, ușile și porțile acționate electric trebuie să fie verificate de o persoană calificată din punct de vedere al condițiilor lor de securitate. Persoana calificată este persoana care, în baza pregătirii și experienței sale tehnice, deține suficiente cunoștințe în domeniul ferestrelor, ușilor și porților acționate electric și cunoaște prevederile legale relevante privind securitatea muncii și normele tehnice general recunoscute într-o astfel de măsură încât să poată evalua starea de funcționare în condiții de siguranță a ferestrelor, ușilor și porților acționate electric.
- Persoana care realizează montajul trebuie să cunoască următoarele standarde: EN 13241, EN 12604, EN 12453. Persoana calificată/expertul trebuie să îl instruiască pe operator cu privire la următoarele:
  - Funcționarea unității și pericolele aferente
  - Manevrarea mecanismului de deblocare manuală de urgență
  - Service-ul, inspecția și întreținerea periodică și sarcinile sale
  - Operatorul trebuie să îi instruiască pe ceilalți utilizatori cu privire la funcționarea unității. După realizarea cu succes a montajului unității, persoana responsabilă pentru montajul unității în conformitate cu Directiva 2006/42/CE privind echipamentele tehnice trebuie să elibereze declarația de conformitate CE pentru sistemul de acționare pentru porți. Marcajul CE și o plăcuță de tip trebuie fixate pe sistemul de acționare pentru porți. Acest lucru este obligatoriu, de asemenea, și în cadrul procesului de re tehnologizare a unei porți acționate manual. Mai mult, trebuie să se completeze un proces-verbal de predare-primire și o carte de inspecție.
- Poarta trebuie să fie echilibrată. Porțile blocate sau înșepenite trebuie reparate. În stare dezechilibrată, porțile de garaj, arcurile de poartă, cablurile, discurile, suporturile și șinele sunt supuse unei tensiuni extreme, ceea ce poate conduce la vătămări grave. Nu încercați să desfaceți, să mișcați sau să realiniați poarta, ci contactați centrul de service sau un specialist în porți.
- Nu purtați bijuterii, ceasuri de mână sau haine largi în timpul montajului sau întreținerii unui sistem de acționare pentru porți.
- Pentru a evita vătămările corporale grave cauzate prin agățare, înainte de a monta sistemul de acționare pentru porți îndepărtați toate cablurile și lanțurile conectate la poartă.
- În timpul montajului și conectării electrice, trebuie să se respecte reglementările locale pentru construcții și instalații electrice.
- Montarea dispozitivului de monitorizare a tensionării cablului este necesară în conformitate cu EN12453.
- Pentru a evita deteriorarea porților foarte ușoare (cum ar fi porțile din fibră de sticlă, aluminiu sau oțel), adăugați o armătură adecvată. Pentru aceasta, contactați-l pe producătorul porții.
- Sistemul automat de siguranță pentru inversarea deplasării trebuie supus unui test. La contactul cu un obstacol cu o înălțime de 40 mm aflat pe sol, poarta de garaj TREBUIE să se deplaseze în sens invers. Reglarea inadecvată a sistemului de acționare pentru porți poate conduce la vătămări corporale grave cauzate de poarta de garaj care se închide. Repetați testul o dată pe lună și efectuați toate modificările necesare.
- Acest sistem nu trebuie montat în zone cu umezeală sau umede.
- În timpul funcționării, poarta nu ar trebui să blocheze în nici un caz trecerile publice.
- Pentru a le reaminti tuturor operatorilor de funcționarea în condiții de siguranță, în afară de comutatorul de perete iluminat, ar trebui să se fixeze și un indicator de avertizare pentru protecția copiilor. Indicatorii de avertizare cu privire la riscul de prindere trebuie amplasate în locuri foarte vizibile.
- Nu permiteți copiilor să se joace cu sistemul. Nu permiteți copiilor să utilizeze butoanele de apăsare sau telecomenzile.
- Acest sistem nu este destinat utilizării de către persoane (inclusiv copii) cu abilități fizice, senzoriale sau mentale restrânse, sau lipsite de experiență și/sau cunoștințe, cu excepția cazului în care sunt supravegheate de o persoană responsabilă pentru siguranța lor sau au fost instruite cu privire la modul de utilizare a sistemului.
- Toate barierele/inchizătoarele sunt dezactivate pentru a se evita deteriorarea porții.
- Dacă este necesar, echipamentul de comandă instalat TREBUIE să fie montat în raza vizuală a porții și fără a fi la îndemâna copiilor. Nu permiteți copiilor să utilizeze butoanele sau telecomenzile. Utilizarea necorespunzătoare a sistemului de acționare pentru porți poate cauza vătămări grave.

- Sistemul de acționare pentru porți ar trebui utilizat NUMAI dacă operatorul poate vedea întreaga zonă a porții și este sigur că nu există obstacole în zona respectivă și că sistemul de acționare pentru porți este reglat corect. Este interzisă trecerea vreunei persoane pe sub poartă în timp ce aceasta se află în mișcare. Nu permiteți copiilor să se joace în apropierea porții.
  - Utilizați dispozitivul manual de decuplare numai pentru separarea căruciorului de unitate și - dacă este posibil - NUMAI cu poarta închisă. Nu utilizați mânerul roșu pentru a împinge poarta în sus sau pentru a o trage în jos.
  - Înainte de a efectua orice reparații sau de a îndepărta capacele, deconectați sistemul de acționare pentru porți de la alimentarea electrică.
- Reparațiile și instalațiile electrice pot fi realizate numai de către un electrician autorizat.**
- Acest produs are un transformator cu un cablu electric special. În caz de deteriorare, acesta TREBUIE înlocuit cu un transformator original de către un tehnician calificat.
  - Funcționarea dispozitivului de decuplare de urgență poate conduce la mișcări necontrolate ale porții, dacă arcurile sunt slăbite sau rupte, sau dacă poarta este dezechilibrată.
  - Montați mânerul de decuplare al dispozitivului de decuplare de urgență la o înălțime sub 1,80 m.
  - Caracteristica Timer-to-Close (TTC) (Temporizator pentru închidere), aplicația MyQ Smartphone Control și Dispozitivul de monitorizare MyQ pentru uși și porți de garaj sunt exemple de închidere nesupravegheată și trebuie utilizate NUMAI cu porți secționale. Orice dispozitiv sau caracteristică care permite închiderea porții din afara liniei de vizibilitate a porții este considerată închidere nesupravegheată. Caracteristica Timer-to-Close (TTC) (Temporizator pentru închidere), aplicația MyQ Smartphone Control și orice alte dispozitive MyQ trebuie utilizate NUMAI cu porți secționale.
  - Sistemul de acționare nu trebuie utilizat dacă există o ușă pietonală în ușa garajului.

Salvați prezentele instrucțiuni.

## 2 Utilizare preconizată

Sistemul este destinat deschiderii și închiderii porților care utilizează o bară de torsiune și arcuri (a se vedea secțiunea 3 „Planificare”). Sistemul nu este destinat utilizării comerciale, ci numai utilizării la porți de garaj private care sunt adecvate pentru o singură gospodărie. Orice utilizare necorespunzătoare a unității poate crește riscul de accidente. Producătorul nu își asumă nicio răspundere pentru o astfel de utilizare. La unitate se pot monta numai accesorii originale LiftMaster. Pentru această unitate, porțile automate trebuie să respecte standardele, orientările și regulamentele internaționale, naționale și locale valabile în prezent (EN 13241, EN 12453 și EN 12604).

## 3 Planificarea funcționării porții

Examinați zona dvs. pentru a vedea dacă pentru montaj se aplică vreuna din condițiile de mai jos. În funcție de cerințele dvs., este posibil să fie necesare materiale suplimentare.

ACEST SISTEM DE ACȚIONARE PENTRU PORȚI ESTE COMPATIBIL CU:

- Porți care utilizează o bară de torsiune și arcuri. Bara de torsiune trebuie să aibă diametrul de 25,4 mm. NU este compatibil cu tambure cu rotire inversă.
- Tambure de 80-120 mm, a nu se utiliza pe tambure conice de peste 120 mm.
- Porți secționale cu ridicare standard până la o înălțime de 3 m.
- Porți cu o lățime până la 5,5 m.
- Porți până la 16,5 m<sup>2</sup>.

*NOTĂ: Inspectați bara de torsiune în timp ce poartele se ridică și coboară. Este important să nu existe nicio deplasare vizibilă în sus și în jos, sau spre stânga și spre dreapta. Dacă nu se corectează deplasarea, se reduce foarte mult durata de viață a sistemului de acționare pentru porți de garaj.*

Examinați sau inspectați locul de montaj propus. Sistemul de acționare pentru porți poate fi montat în partea stângă sau dreaptă a porții. Selectați partea care îndeplinește cerințele enumerate mai jos.

- Trebuie să existe un spațiu de cel puțin 6,4 cm între perete și centrul barei de torsiune.
- Trebuie să existe un spațiu de cel puțin 7,6 cm între tavan și centrul barei de torsiune.
- Trebuie să existe un spațiu de cel puțin 21,6 cm între peretele lateral (sau obstacol) și capătul barei de torsiune.
- Bara de torsiune trebuie să se proiecteze cel puțin 3,81 cm în afara suportului. Acest lucru poate varia în funcție de cerințele de montaj.
- Este necesară o priză electrică la o distanță de cel mult 1,83 m față de locul de montaj. Dacă nu există o priză, contactați un electrician calificat.

## 4 Planificarea funcționării MyQ

Acest sistem de acționare are capacitatea de a fi controlat de MyQ - este necesar să se monteze senzori fotoelectrici. Cu ajutorul aplicației MyQ puteți să monitorizați și să controlați poarta dvs. de garaj de oriunde.

ÎNAINTE DE A ÎNCEPE:

Veți avea nevoie de:

- Smartphone, tabletă sau laptop activat Wi-Fi
- Conexiune la internet în bandă largă
- Semnal Wi-Fi în garaj (2,4 Ghz, 802,11b /g/n necesar)
- Parola pentru rețeaua dvs. de domiciliu (contul principal al router-ului, nu rețeaua pentru vizitatori)



## TESTAREA PUTERII SEMNALULUI WI-FI

Asigurați-vă că dispozitivul dvs. mobil este conectat la rețeaua dvs. Wi-Fi. Amplasați dispozitivul dvs. mobil în locul în care va fi montat sistemul dvs. de acționare pentru porți de garaj și verificați puterea semnalului Wi-Fi.

### Semnalul Wi-Fi este puternic.

Sistemul de acționare pentru porți de garaj se va conecta la rețeaua Wi-Fi.

### Semnalul Wi-Fi este slab.

Sistemul de acționare pentru porți de garaj se poate conecta la rețeaua dvs. Wi-Fi. În caz contrar, încercați una din opțiunile de mai jos pentru a îmbunătăți semnalul Wi-Fi:

#### Nu există semnal Wi-Fi.

Sistemul de acționare pentru porți de garaj nu va putea să se conecteze la rețeaua dvs. Wi-Fi. Încercați una din opțiunile de mai jos pentru a îmbunătăți semnalul Wi-Fi:

- Mutați router-ul mai aproape de sistemul de acționare pentru porți de garaj pentru a minimiza interferențele de la pereți și alte obiecte
- Achiziționați un amplificator de semnal Wi-Fi

## 5 Pregătirea porții dvs. de garaj



**ATENȚIE:** Contactați ÎNTOTDEAUNA un tehnician calificat pentru sisteme de poartă dacă poarta de garaj se înțepenește, se blochează sau este dezechilibrată. O poartă de garaj dezechilibrată NU poate să se deplaseze în sens invers atunci când este necesar. Nu încercați NICIODATĂ să desfaceți, să mișcați sau să reglați poarta de garaj, arcurile de poartă, cablurile, troliturile, suporturile sau piesele metalice ale acestora, TOATE acestea sunt supuse unei tensiuni EXTREME. Pentru a evita agățarea, ÎNAINTE de a monta și a utiliza sistemul de acționare pentru porți de garaj dezactivați TOATE închizătorile și îndepărtați TOATE frânghiile conectate la poarta de garaj. Acest sistem de acționare este prevăzut cu o caracteristică de funcționare nesupravegheată. Poarta se poate mișca în mod neașteptat. ESTE INTERZISĂ TRAVERSAREA TRAIECTORIEI PORȚII AFLATE ÎN MIȘCARE.

#### ÎNAINTE DE A ÎNCEPE:

- Dezactivați închizătorile.
- Îndepărtați toate frânghiile conectate la poarta de garaj.

Realizați testul următor pentru a vă asigura că poarta de garaj este echilibrată și nu se blochează sau nu se înțepenește:

- Ridicați poarta până la jumătate. Eliberați poarta. Dacă este echilibrată, aceasta ar trebui să rămână pe loc, fiind susținută în întregime de arcurile sale.
- Ridicați și coborâți poarta pentru a verifica dacă se înțepenește sau se blochează.
- Porțile cu o greutate de peste 130 kg NU ar trebui să se deschidă sau să cadă rapid.

Dacă poarta se înțepenește, se blochează sau este dezechilibrată, contactați un tehnician calificat pentru sisteme de poartă.

## 6 Unelte necesare

În timpul asamblării, montajului și reglării sistemului de acționare pentru porți de garaj, instrucțiunile vor indica uneltele de mână menționate mai jos.

- |                         |   |
|-------------------------|---|
| 1. Scară                | 7. Șurubelniță                            |
| 2. Burghiu              | 8. Nivelă                                 |
| 3. Ruletă               | 9. Ciocan cu vârf spintecat               |
| 4. Clești de tăiat fire | 10. Chei tubulare și cheie cu prelungitor |
| 5. Clește               | 11. Cheie cu cap reglabil                 |
| 6. Capete de burghiu    | 12. Creion                                |

## 7 Conținutul cutiei de carton

Dacă lipsește ceva, verificați cu atenție materialul de ambalat.

SISTEM DE ACȚIONARE PORȚI DE GARAJ			PUNGĂ CU PIESE METALICE		
1.	Sistem de acționare porți de garaj, LM3800W	1x	11.	Șurub 15 mm	2x
2.	Închizătoare automată de poartă de garaj, 841EU	1x	12.	Șurub 54,8 mm	4x
3.	Suport de montaj	1x	13.	Măner	1x
4.	Mașon cu șuruburi de fixare	1x	14.	Frânghie	1x
5.	Etichete de siguranță	1x	15.	Șurub 15 mm	2x
6.	Telecomandă cu 4 butoane, TX4EVF	2x	16.	Ancoraj de rigips (filetat) 36,8 mm	4x
7.	Lampă cu led MyQ controlată de la distanță, 827EV	1x	17.	Șurub 22 mm	2x
8.	Instrucțiuni				

## PIESE METALICE PENTRU LAMPĂ CONTROLATĂ DE LA DISTANȚĂ

- |     |                                   |    |
|-----|-----------------------------------|----|
| 9.  | Ancoraj de rigips (filetat) 42 mm | 2x |
| 10. | Șurub 27,85 mm                    | 2x |

### 8 Accesorii solicitate

Dispozitiv de monitorizare a tensionării cablului 041A92642.

Fotocelule cu infraroșu (pentru funcționarea MyQ: - 771EV sau- 772E sau- 771EVK sau- G770E).

### 9 Montarea manșonului la sistemul de acționare pentru porți de garaj

Pentru a evita dificultățile de montaj, nu puneți în funcțiune sistemul de acționare pentru porți de garaj până când nu vi se cere să faceți acest lucru. Sistemul de acționare pentru porți de garaj poate fi montat pe ambele părți ale porții (a se vedea secțiunea „Planificare”). Ilustrațiile pentru montaj sunt prezentate în Fișele de ilustrații.

1. Desfaceți șuruburile de fixare.
2. Montați manșonul la arborele de motor al sistemului de acționare pentru porți de garaj. Partea manșonului cu orificiul mai mare trebuie așezată pe arborele de motor.
3. Asigurați-vă că manșonul este așezat complet pe arborele de motor până se oprește.
4. Poziționați manșonul astfel încât șuruburile să fie orientate spre exterior și să fie accesibile atunci când sunt fixate la bara de torsiune.
5. Strângeți bine cele 2 șuruburi de fixare cu cap pătrat care se află cel mai aproape de arborele de motor, prin rotirea șuruburilor cu 1/4 - 1/2 de rotație după ce acestea intră în contact cu arborele de motor.

### 10 Montarea suportului de montaj la sistemul de acționare pentru porți de garaj



1. Fixați slab partea laterală cu fantă a suportului de montaj pe aceeași parte a sistemului de acționare pentru porți de garaj ca și manșonul, folosind șuruburile furnizate.

NOTĂ: Nu strângeți șuruburile până când nu vi se cere acest lucru.

### 11 Poziționarea și montarea sistemului de acționare pentru porți de garaj



TREBUIE să se utilizeze ancoraje pentru beton dacă suportul se montează în zidărie. Nu încercați NICIODATĂ să desfaceți, să mișcați sau să reglați poarta de garaj, arcurile de poartă, cablurile, trolurile, suporturile sau piesele metalice ale acestora, TOATE acestea sunt supuse unei tensiuni EXTREME. Contactați ÎNTOTDEAUNA un tehnician/montator/specialist calificat pentru sisteme de poartă dacă poarta de garaj se înțepenește, se blochează sau este dezechilibrată. O poartă de garaj dezechilibrată NU poate să se deplaseze în sens invers atunci când este necesar. Sistemul de acționare pentru porți de garaj TREBUIE montat în unghi drept față de bara de torsiune pentru a se evita uzura prematură a manșonului. Luați în considerare cerințele de la fața locului.

NOTĂ: Pentru opțiuni de montaj suplimentare, a se vedea pagina Accesorii.

1. Închideți complet poarta de garaj.
2. Glišați sistemul de acționare pentru porți de garaj pe capătul barei de torsiune. Dacă bara de torsiune este prea lungă sau este deteriorată, este posibil să fie nevoie să tăiați bara de torsiune. Asigurați-vă că manșonul NU atinge suportul.
3. Utilizați o nivelă pentru a poziționa și a alinia vertical sistemul de acționare pentru porți de garaj. Verificați dacă suportul de montaj este așezat pe o suprafață solidă cum ar fi lemnul, betonul sau suportul de ușă/steag. Dacă montajul se realizează pe un perete de rigips, suportul de montaj TREBUIE să fie fixat pe un stâlp.
4. Atunci când sistemul de acționare pentru porți de garaj este aliniat în mod adecvat, marcați orificiile suportului de montaj. Dacă este necesar, strângeți șuruburile de manșon de pe bara de torsiune pentru a fixa pe loc sistemul de acționare pentru porți de garaj în timp ce marcați orificiile. NOTĂ: Sistemul de acționare pentru porți de garaj nu trebuie să fie încastrat în perete
5. Îndepărtați sistemul de acționare pentru porți de garaj de pe bara de torsiune. Realizați orificii de ghidare de 5 mm în locurile marcate. Dacă este necesar, găuriți prin plăcile metalice ale șinelor porții.
6. Glišați sistemul de acționare pentru porți de garaj înapoi pe bara de torsiune până când orificiile de ghidare se aliniază cu suportul.
7. Strângeți cele 2 șuruburi de fixare cu cap pătrat de pe bara de torsiune. În cazul unei bare de torsiune tubulare, strângeți șuruburile cu 3/4 - 1 rotație după ce acestea intră în contact cu bara. În cazul unei bare de torsiune cu arbore masiv, strângeți șuruburile cu 1/4 - nu mai mult de 1/2 de rotație după ce acestea intră în contact cu arborele. Dacă se montează pe o bară de torsiune fixată cu chei, NU fixați șuruburile în calea cheilor.
8. Fixați suportul de montaj pe perete și pe sistemul de acționare pentru porți de garaj. Utilizați șuruburile (12) pentru a fixa suportul de montaj pe perete.

## 12 Montarea frânghiei și mânerului de decuplare de urgență



Dacă este posibil, utilizați mânerul de decuplare de urgență pentru a dezactiva poarta NUMAI atunci când poarta de garaj este ÎNCHISĂ. Arcurile slăbite sau rupte sau poarta dezechilibrată ar putea determina căderea rapidă și/sau neașteptată a porții deschise. Utilizați ÎNTOTDEAUNA mânerul de decuplare de urgență numai atunci când pe traiectoria porții de garaj nu se află persoane și obstacole.

1. Introduceți prin mâner un capăt al frânghiei de decuplare de urgență. Asigurați-vă că „NOTICE” (“ATENȚIE”) se află în partea dreaptă de sus. Pentru a preveni alunecarea, realizați un nod în relief la cel puțin 2,5 cm de la capătul frânghiei.
2. Introduceți celălalt capăt al frânghiei de decuplare de urgență prin orificiul din brațul de decuplare al trolului. Montați dispozitivul de decuplare de urgență la îndemână, dar la o înălțime de cel puțin 1,83 m deasupra podelei, evitând contactul cu vehiculele în vederea prevenirii decuplării accidentale, și asigurați-l cu un nod în relief.

*NOTĂ: Dacă este necesar să tăiați frânghia, etanșați la cald capătul tăiat cu ajutorul unui chibrit sau al unei brichete pentru a preveni deșirarea acesteia.*

## 13 Montarea închizătorii automate de poartă

Închizătoarea automată de poartă (modelul 841EU) este utilizată pentru a împiedica deschiderea manuală a porții după ce poarta s-a închis complet.

*NOTĂ: Modelele mai vechi de închizători de 24 V sunt incompatibile.*

1. Închizătoarea trebuie montată la o distanță de cel mult 3,05 m față de sistemul de acționare pentru porți. Dacă este posibil, montați-o pe aceeași parte cu sistemul de acționare pentru porți.
2. Asigurați-vă că suprafața șinei este curată și fixați șablonul închizătorii pe șină astfel încât orificiul de bolț să se afle la aproximativ 7,6 cm față de centrul rolei de poartă.
3. Realizați orificiile așa cum sunt marcate pe șablon.
4. Fixați închizătoarea automată de poartă spre exteriorul șinei de poartă cu ajutorul pieselor metalice furnizate.
5. Derulați firul de tip fir de sonerie în sus pe perete până la sistemul de acționare pentru porți. Utilizați capse izolate (opțional) pentru a fixa firul în mai multe locuri. Introduceți firul în partea inferioară a sistemului de acționare pentru porți.
6. Introduceți conectorul în oricare dintre mufele sistemului de acționare pentru porți. O închizătoare secundară de poartă (841EU) se poate monta pe partea opusă a porții, cu respectarea instrucțiunilor de mai sus.

### TESTAREA ÎNCHIZĂTORII AUTOMATE DE POARTĂ

1. Cu ușa complet închisă, bolțul închizătorii automate de poartă (B) trebuie să se proiecteze prin șină.
2. Acționați poarta în direcția deschisă. Închizătoarea automată de poartă (A) trebuie să se retrageze înainte ca poarta să înceapă să se deplaseze.
3. Acționați poarta în direcția în jos. Când poarta ajunge în poziția complet închisă, închizătoarea automată de poartă trebuie să se deplaseze în poziția de blocare pentru a fixa poarta.

*NOTĂ: Dacă închizătoarea automată de poartă nu funcționează, închizătoarea poate fi decuplată manual prin tragerea mânerului de decuplare manuală (C) în poziția deschisă.*

## 14 Montarea dispozitivului de monitorizare a tensionării cablului (041A9264) (accesoriu necesar)

Dispozitivul de monitorizare a tensionării cablului TREBUIE conectat și montat în mod adecvat înainte ca sistemul de acționare pentru porți de garaj să se deplaseze în jos. Dispozitivul de monitorizare a tensionării cablului detectează ORICE slăbire a întinderii care poate apărea în cabluri și inversează sensul de deplasare a porții, eliminând apelurile de service. Montarea dispozitivului de monitorizare a tensionării cablului este necesară în conformitate cu EN12453.

**NOTĂ:** Dispozitivul de monitorizare a tensionării cablului este livrat pentru montaj pe partea stângă. Pentru montaj pe partea dreaptă, demontați inelul de fixare ținând rola pe loc și montați-l în partea opusă a dispozitivului de monitorizare a tensionării cablului.

1. Verificați dacă cablul porții se află la aproximativ 19 mm față de suprafața de montaj. Pot fi necesare ajustări sau reglaje ale porții pentru a se obține o adâncime adecvată pentru cablul porții.
2. Poziționați dispozitivul de monitorizare a tensionării cablului astfel încât rola să se afle la o distanță de 5-15 cm față de tambur, iar rola să se proiecteze 3-6 mm peste cablu. Asigurați-vă că dispozitivul de monitorizare a tensionării cablului este amplasat deasupra unui element de susținere din lemn și că rola nu întâmpină obstacole.

**NOTĂ:** În locul de montaj nu trebuie să existe obstacole care să împiedice închiderea completă a dispozitivului de monitorizare a tensionării cablului atunci când se detectează o slăbire a întinderii.

3. Marcați și realizați orificii de ghidare de 5 mm pentru șuruburi (nu sunt necesare orificii de ghidare pentru ancoraje).
4. Fixați dispozitivul de monitorizare a tensionării cablului pe perete utilizând piesele metalice furnizate. Asigurați-vă că rola se află pe partea de sus a cablului.
5. Derulați firul de tip fir de sonerie până la sistemul de acționare pentru porți. Utilizați capse izolate pentru a fixa firul.
6. Conectați firul de tip fir de sonerie la bornele verzi de conectare rapidă (10 + 11) de pe sistemul de acționare pentru porți (polaritatea nu este importantă).

**NOTĂ:** Cablul trebuie să fie tensionat pe întreaga cursă a porții. Asigurați-vă că în timpul funcționării normale nu există nicio slăbire a întinderii cablului de pe partea opusă a porții. Dacă în timpul deplasării porții apare o slăbire a întinderii, reglați cablurile după cum este necesar.

Dacă se montează două dispozitive de monitorizare a tensionării cablului, poarta nu se deplasează în jos sau nu se deplasează în sens invers dacă unul dintre dispozitivele de monitorizare detectează o slăbire a întinderii sau este deconectat.

### TESTAREA DISPOZITIVULUI DE MONITORIZARE A TENSIONĂRII CABLULUI

1. Cu poarta complet închisă, împingeți partea din față a dispozitivului de monitorizare a tensionării cablului. Trebuie să se audă un clic. Dacă nu se aude niciun clic, este posibil ca rola să lovească canalul și să nu îi permită comutatorului să detecteze slăbirea întinderii cablului. Asigurați-vă că dispozitivul de monitorizare a tensionării cablului are montaj încastrat în perete, iar rola nu întâmpină obstacole.

Rezistorul 1k este prevăzut numai pentru identificarea și remedierea defecțiunilor la reglajul dispozitivului de monitorizare a tensionării cablului. Conform EN12453, dispozitivul de monitorizare trebuie montat pentru a detecta în mod adecvat orice slăbire a întinderii cablului.

Dacă dispozitivul dvs. de monitorizare a tensionării cablului a fost activat, săgețile UP (SUS) și DOWN (JOS) se aprind intermitent pentru codul de diagnoză 3-5.

## 15 Montarea lămpii cu led MyQ controlată de la distanță (proiectată numai pentru zone uscate)

Lampa cu led MyQ controlată de la distanță este proiectată pentru a fi conectată direct la o priză standard de 230V. Alegeți un loc adecvat pe tavan sau pe perete pentru montarea lămpii, la o distanță de cel mult 1,83 m față de o priză electrică, astfel încât cablul și lampa să se afle la distanță de piesele mobile. Montajul lămpii cu led MyQ controlată de la distanță este necesar pentru a permite funcționarea MyQ și Timer-to-Close (TTC) (Temporizator pentru închidere).

**NOTĂ:** Dacă lampa trebuie montată pe un perete de rigips și nu se poate localiza o subgrindă, utilizați ancorajele de rigips furnizate. Pentru ancorajele de rigips nu sunt necesare orificii de ghidare.

1. Dacă montajul se realizează pe subgrindă, realizați orificii de ghidare la distanță de 15,6 cm.  
SAU  
Înșurubați ancoraje de rigips la o distanță de 15,6 cm dacă montajul se realizează pe un perete de rigips.
2. Stabiliți lungimea cablului de alimentare necesar pentru a ajunge la cea mai apropiată priză. Înfășurați cablul excedent în jurul dispozitivului de fixare a cablului de pe partea superioară a bazei lămpii. Așezați cablul prin canal astfel încât lampa să aibă montaj încastrat.
3. Deschideți lentilele lămpii.
4. Montați lampa cu ajutorul șuruburilor furnizate (11 + 12).
5. Închideți lentilele lămpii.
6. Conectați lampa la priză.

**NOTĂ:** Lampa cu led emite o lumină foarte puternică. NU priviți lampa în timp ce vă aflați pe scară

Lampa dvs. controlată de la distanță pentru sistemul de acționare pentru porți de garaj a fost deja programată din fabrică pentru a funcționa cu sistemul dvs. de acționare. Orice lămpi suplimentare sau de înlocuire controlate de la distanță trebuie programate.

## 16 Conectarea electrică



Pentru a se evita vătămrile corporale și deteriorările sistemului, sistemul de acționare pentru porți ar trebui să fie pus în funcțiune numai dacă o astfel de instrucțiune este specificată în mod explicit în prezentul manual. Ștecherul electric trebuie să fie întotdeauna accesibil pentru deconectarea alimentării de la rețea. Instalațiile electrice pot fi realizate numai de către un electrician autorizat.

## 17 Montajul fotocelulelor

### INFORMAȚII IMPORTANTE PRIVIND FOTOCELULELE CU INFRAROȘU

Instrucțiunile de montaj sunt incluse în sfera livrării fotocelulelor cu infraroșu și trebuie respectate. **Cu ajutorul fotocelulelor se asigură că poarta este deschisă sau rămâne deschisă dacă în zona porții se află oameni, în special copii mici.** Dacă este conectat și aliniat în mod adecvat, senzorul fotocelulelor cu infraroșu detectează un obstacol aflat pe traiectoria fasciculului său electronic. Senzorul de transmisie transmite un fascicul de lumină invizibil către senzorul de recepție. Dacă un obstacol întrerupe fasciculul de lumină în timp ce poarta se închide, poarta se oprește și se deplasează în sens invers până în poziția complet deschisă, iar lămpile sistemului de acționare se aprind intermitent de 10 ori.

Pentru utilizarea caracteristicii MyQ sau TTC, senzorii trebuie să fie montați în garaj astfel încât senzorul de transmisie și senzorul de recepție să se afle unul în fața celuilalt de-a curmezișul porții, la cel mult 10 cm deasupra podelei. Oricare dintre aceștia poate fi montat în partea stângă sau dreaptă a porții, atâta timp cât razele soarelui nu cad niciodată direct pe lentilele senzorului de recepție. Traiectoria fasciculului de lumină invizibil trebuie să fie liberă de orice obstacol. Nici o piesă a porții de garaj (șine de poartă, arcuri, balamale, role sau alte piese metalice) nu trebuie să întrerupă fasciculul în timp ce poarta se închide.

*NOTĂ: LiftMaster recomandă montarea fotocelulelor cu infraroșu la fiecare sistem. Pentru utilizarea caracteristicii MyQ sau TTC este necesar să se monteze fotocelule cu infraroșu.*

### CABLAREA FOTOCELULELOR CU INFRAROȘU

1. Derulați firul de la ambii senzori către sistemul de acționare pentru porți de garaj. Fixați firul pe perete și pe tavan cu ajutorul capselor.
2. Îndepărtați 11 mm din izolație la fiecare set de fire. Separați firele. Răsuciți firele albe împreună. Răsuciți firele albe/negre împreună.
3. Introduceți firele albe în borna albă de pe sistemul de acționare pentru porți de garaj. Introduceți firele albe/negre în borna gri de pe sistemul de acționare pentru porți de garaj. Pentru a introduce sau a scoate firele din bornă, împingeți clapeta cu vârful unei șurubelnițe.

### ASIGURAȚI-VĂ CĂ FOTOCELULELE CU INFRAROȘU SUNT ALINATE

**Poarta nu se închide dacă senzorii nu au fost montați și aliniați în mod corect.**

Dacă fasciculul de lumină este obstrucționat sau aliniat incorect în timp ce poarta se închide, poarta se deplasează în sens invers și lămpile sistemului de acționare pentru porți de garaj se aprind intermitent de zece ori. Dacă poarta este deja deschisă, aceasta nu se închide. Senzorii pot fi aliniați prin slăbirea piulițelor-flutur, alinierea senzorilor și străngerea piulițelor-flutur.

1. Verificați dacă ledurile de la ambii senzori sunt aprinse continuu. Ledurile de la ambii senzori se aprind continuu dacă aceștia sunt aliniați și cablați în mod corect.

### TESTAREA FOTOCELULELOR CU INFRAROȘU

1. Deschideți poarta. Așezați un obstacol pe traiectoria porții.
2. Apăsăți butonul de apăsare de pe telecomandă pentru a închide poarta. Poarta nu se deplasează mai mult de 2,5 cm și lămpile sistemului de acționare pentru porți de garaj se aprind intermitent de 10 ori.

Sistemul de acționare pentru porți de garaj nu se închide de la o telecomandă dacă este stins ledul de la oricare dintre fotocelulele cu infraroșu (vă avertizează că senzorul este aliniat incorect sau este blocat). **Dacă sistemul de acționare pentru porți de garaj închide poarta când fotocelula cu infraroșu este blocată (și senzorii nu se află la mai mult de 10 cm deasupra podelei), contactați un tehnician calificat pentru sisteme de poartă.**

## 18 Conectarea alimentării electrice

Pentru a evita dificultățile de montaj, nu puneți în funcțiune sistemul de acționare pentru porți de garaj în acest moment. Pentru a reduce riscul de electrocutare, sistemul dvs. de acționare pentru porți de garaj este prevăzut cu o fișă de împământare. Această fișă se potrivește numai într-o priză cu împământare. Dacă fișa nu se potrivește în priza pe care o aveți, contactați un electrician calificat pentru montarea unei prize adecvate.

Există o singură opțiune pentru conectarea alimentării electrice:

### CABLARE CARACTERISTICĂ

Conectați sistemul de acționare pentru porți de garaj la o priză împământată.

## 19 Montarea sistemului de alimentare de rezervă cu baterie (Accesoriu opțional)



Pentru a reduce riscul de INCENDIU sau de VĂTĂMARE a persoanelor. Deconectați TOATE alimentările și bateriile electrice ÎNAINTE de a efectua orice lucrare de service sau de întreținere. Utilizați NUMAI piesa LiftMaster 485EU pentru bateria de înlocuire. NU aruncați bateria în foc. Bateria poate exploda. Verificați codurile locale pentru instrucțiunile de eliminare.

În modul „Baterie”, MyQ Smartphone Control și dispozitivele MyQ fără fir vor fi dezactivate. În modul „Baterie”, închizătoarea automată a porții de garaj se deblochează la deschiderea porții de garaj și rămâne dezactivată până când se reia alimentarea electrică.

1. Deconectați alimentarea electrică a sistemului de acționare pentru porți de garaj.
2. Utilizați o șurubelniță pentru a scoate capacul bateriei de pe sistemul de acționare pentru porți de garaj.
3. Introduceți bateria parțial în compartimentul bateriei cu bornele orientate spre exterior.
4. Conectați firul roșu (+) și pe cel negru (-) de la sistemul de acționare pentru porți de garaj la bornele corespunzătoare de pe baterie.
5. Montați la loc capacul bateriei.
6. Conectați alimentarea electrică a sistemului de acționare pentru porți de garaj.

### LED DE STARE A BATERIEI (B)

#### LED VERDE:

Toate sistemele sunt normale.

- Ledul verde aprins continuu indică faptul că bateria este încărcată complet.
- Ledul verde aprins intermitent indică faptul că bateria se încarcă.

#### LED PORTOCALIU:

Sistemul de acționare pentru porți de garaj nu mai este alimentat de la rețea și este în modul „Baterie”.

- Ledul portocaliu aprins continuu cu semnal sonor la aproximativ fiecare 2 secunde indică faptul că sistemul de acționare pentru porți de garaj funcționează pe baterie.
- Ledul portocaliu aprins intermitent cu semnal sonor la aproximativ fiecare 30 de secunde indică faptul că bateria este descărcată.

#### LED ROȘU:

Trebuie înlocuită bateria de 12V a sistemului de acționare pentru porți de garaj.

- Ledul roșu aprins continuu cu semnal sonor la fiecare 30 de secunde indică faptul că bateria de 12V nu va mai putea fi încărcată și trebuie să fie înlocuită. Înlocuiți bateria pentru a păstra caracteristica de alimentare de rezervă cu baterie.

*NOTĂ: Bateria nu trebuie să fie încărcată complet pentru ca sistemul de acționare pentru porți de garaj să poată funcționa.*

## 20 Programarea cursei



Reglarea incorectă a limitelor cursei porții de garaj va afecta funcționarea corectă a sistemului de siguranță pentru inversarea deplasării. **TREBUIE să testați sistemul de siguranță pentru inversarea deplasării după efectuarea ORICĂROR reglaje. Poarta TREBUIE să se deplaseze în sens invers la contactul cu un obiect cu o înălțime de 40 mm aflat pe podea. Pentru a preveni deteriorarea vehiculelor, asigurați-vă că poarta complet deschisă asigură un spațiu liber adecvat.**

Limitele cursei reglează punctele în care poarta se va opri atunci când se deplasează în sus sau în jos. Deconectați alimentarea electrică a sistemului de acționare pentru porți de garaj.

În timpul programării, butoanele UP (SUS) și DOWN (JOS) pot fi utilizate pentru a deplasa poarta după cum este necesar.

1. Apăsăți și țineți apăsat butonul Reglare (A) până când butonul SUS (U) începe să se aprindă intermitent și/sau se aude un semnal sonor.
2. Apăsăți și țineți apăsat butonul SUS (U) până când poarta se află în poziția SUS dorită.
3. După ce poarta ajunge în poziția SUS dorită, apăsați și eliberați butonul Reglare (A). Lămpile sistemului de acționare pentru porți de garaj se aprind intermitent de două ori, iar butonul JOS (D) începe să se aprindă intermitent.
4. Apăsăți și țineți apăsat butonul JOS (D) până când poarta se află în poziția JOS dorită.
5. După ce poarta ajunge în poziția JOS dorită, apăsați și eliberați butonul Reglare (A). Lămpile sistemului de acționare pentru porți de garaj se aprind intermitent de două ori, iar butonul SUS (U) începe să se aprindă intermitent.
6. Apăsăți și eliberați butonul SUS (U). Când poarta se deplasează spre poziția programată SUS, butonul JOS (D) începe să se aprindă intermitent.
7. Apăsăți și eliberați butonul JOS (D). Poarta se deplasează spre poziția programată JOS. Programarea este completă.

Dacă lămpile sistemului de acționare pentru porți de garaj se aprind intermitent de 5 ori în timpul etapelor pentru Programarea cursei, programarea a expirat. Dacă dispozitivul de monitorizare a tensionării cablului nu este montat sau dacă acesta detectează o slăbire prea mare a întinderii cablului, lămpile sistemului de acționare pentru porți de garaj se aprind intermitent de 5 ori. Asigurați-vă că dispozitivul de monitorizare a tensionării cablului este montat corect, apoi urmați etapele pentru Programarea cursei. Dacă lămpile sistemului de acționare pentru porți de garaj se aprind intermitent de 10 ori în timpul etapelor pentru Programarea cursei, înseamnă că fotocelulele cu infraroșu sunt aliniate incorect sau sunt blocate. Dacă senzorii sunt aliniați și nu sunt blocați, realizați un ciclu complet al porții în sus și în jos, utilizând telecomanda sau butoanele SUS și JOS. Programarea este completă. Dacă nu reușiți să acționați poarta în sus și în jos, repetați etapele pentru Programarea cursei.

## 21 Testarea sistemului de siguranță pentru inversarea deplasării



În lipsa unui sistem de siguranță pentru inversarea deplasării montat corespunzător, persoanele (în special copiii mici) ar putea fi **VĂTĂMAȚI GRAV** sau **UCIȘI** de poarta de garaj care se închide. Sistemul de siguranță pentru inversarea deplasării **TREBUIE** să fie testat în fiecare lună. Sistemul de siguranță pentru inversarea deplasării **TREBUIE** să fie testat după efectuarea **ORICĂROR** reglaje. Poarta **TREBUIE** să se deplaseze în sens invers la contactul cu un obiect cu o înălțime de 40 mm aflat pe podea.

### TESTARE

1. Cu poarta complet deschisă, așezați o placă cu o înălțime de 40 mm pe podea, centrată sub poarta de garaj.
2. Apăsăți butonul de apăsare de pe telecomandă pentru a închide poarta. Poarta **TREBUIE** să se deplaseze în sens invers atunci când intră în contact cu placa.

### REGLARE

Dacă poarta se oprește, dar nu se deplasează în sens invers:

1. Consultați instrucțiunile de montaj furnizate pentru a vă asigura că s-au respectat toate etapele;
2. Repetați Programarea cursei (a se vedea Etapa de reglare 1 „Punctul 20”);
3. Repetați testul pentru sistemul de siguranță pentru inversarea deplasării.

Dacă testul continuă să eșueze, contactați un tehnician calificat pentru sisteme de poartă.

### VERIFICARE IMPORTANTĂ DE SIGURANȚĂ:

Testați sistemul de siguranță pentru inversarea deplasării după:

- Fiecare reglare a limitelor.
- Orice reparație sau reglare a porții (inclusiv a arcurilor și pieselor metalice).
- Orice reparație sau deformare a podelei.
- Orice reparație sau reglare a sistemului de acționare pentru porți de garaj.

## 22 Deschiderea manuală a porții



Dacă este posibil, utilizați mânerul de decuplare de urgență pentru a dezactiva poarta **NUMAI** atunci când poarta de garaj este **ÎNCHISĂ**. Arcurile slăbite sau rupte sau poarta dezechilibrată ar putea determina căderea rapidă și/sau neașteptată a porții deschise. Utilizați **ÎNTOTDEAUNA** mânerul de decuplare de urgență numai atunci când pe traiectoria porții de garaj nu se află persoane și obstacole.

Dezactivați toate închizătorile de poartă înainte de a continua. Poarta trebuie să fie închisă complet dacă este posibil. Trageți în jos mânerul de decuplare de urgență până când se aude un clic de la sistemul de acționare pentru porți și ridicați poarta manual. Pentru a reconecta poarta la sistemul de acționare pentru porți, trageți mânerul de decuplare de urgență în jos, pentru a doua oară, până când se aude un clic de la sistemul de acționare pentru porți. Poarta se reconectează la următoarea operațiune SUS sau JOS.

### TESTAREA DISPOZITIVULUI DE DECUPLARE DE URGENȚĂ

1. Asigurați-vă că poarta este închisă.
2. Trageți mânerul de decuplare de urgență. Apoi ar trebui ca poarta să poată fi deschisă manual.
3. Întoarceți poarta în poziția închisă.
4. Trageți mânerul de urgență a doua oară.
5. Reconectați poarta la sistemul de acționare pentru porți.

## 23 Utilizarea sistemului dvs. de acționare pentru porți de garaj

### CARACTERISTICI

Sistemul dvs. de acționare pentru porți de garaj este prevăzut cu caracteristici care vă oferă un control mai mare al funcționării porții dvs. de garaj.

### ALARMĂ PENTRU ÎNCHIDERE (ALERT-TO-CLOSE)

Caracteristica Alert-to-Close (Alarmă pentru închidere) asigură o alarmă vizuală cu privire la închiderea unei porți nesupravegheate.

### TEMPORIZATOR PENTRU ÎNCHIDERE (TTC - TIMER-TO-CLOSE)

Caracteristica TTC închide automat poarta după o perioadă de timp specificată care poate fi reglată cu ajutorul dispozitivului de comandă al porții cu funcția TTC activată (sunt necesare fotocelule modelele 771EV / 772E / 771EVK / G770E). Înainte și în timpul închiderii porții se aprind intermitent lămpile sistemului de acționare pentru porți de garaj.

### ACTIVAREA TTC:

1. Apăsați și eliberați butonul galben Setare (L) de 4 ori.
2. Se aprinde ledul galben Setare.
3. Realizați ciclul cu creșteri de OFF/1/5/10 minute utilizând săgețile SUS (U) și JOS (D). Ledul galben Setare clipește la realizarea selecției. De exemplu, dacă selectați 5 minute, ledul galben Setare clipește de 5 ori drept confirmare.
4. Apăsați butonul dreptunghiular Reglare (A) pentru a salva setarea și a ieși din modul de programare TTC. Când se finalizează activarea, lampa cu led MyQ controlată de la distanță clipește O DATĂ drept confirmare. Pentru programarea caracteristicii TTC trebuie să apăsați butonul următor în decurs de 30 de secunde; în caz contrar, veți ieși din activarea TTC. Dacă expiră temporizarea pentru programare, TTC reține setările anterioare, iar lampa cu led MyQ controlată de la distanță se aprinde intermitent de CINCI ori.

Pentru a ieși din modul de programare TTC nefinalizat, apăsați și eliberați încă o dată butonul Setare (L).

### MODIFICAREA TEMPORIZĂRII TTC:

1. Apăsați butonul Setare (L) de 4 ori.
2. Realizați ciclul cu creșteri de OFF/1/5/10 minute utilizând săgețile SUS (U) și JOS (D). Ledul galben Setare clipește la realizarea selecției.
3. Apăsați butonul dreptunghiular Reglare (A) pentru a salva setarea și a ieși din modul de programare TTC. După finalizarea activării, lampa cu led MyQ controlată de la distanță clipește O DATĂ drept confirmare.

### DEZACTIVAREA TTC:

1. Apăsați butonul galben Setare (L) de 4 ori.
2. Apăsați butonul Reglare o singură dată pentru a salva setarea.
3. După finalizarea dezactivării, lampa cu led MyQ controlată de la distanță clipește O DATĂ drept confirmare.

Dacă TTC este activ, temporizatorul numără și razele IR sunt întrerupte, temporizatorul TTC se repornește.

### MyQ

MyQ vă permite să controlați sistemul dvs. de acționare pentru porți de garaj de oriunde de pe dispozitivul dvs. mobil sau de pe calculator. Tehnologia MyQ utilizează un semnal radio pentru a asigura comunicarea pe două căi între sistemul de acționare pentru porți de garaj și accesoriile activate MyQ. Sistemul de acționare pentru porți de garaj are un gateway intern care îi permite sistemului de acționare pentru porți de garaj să comunice direct cu o rețea Wi-Fi® de domiciliu și să acceseze contul dvs. MyQ.

### FOTOCELULE CU INFRAROȘU

Dacă sunt conectate și aliniate în mod adecvat, fotocelulele cu infraroșu detectează un obstacol aflat pe traiectoria fasciculului de infraroșu. Dacă un obstacol întrerupe fasciculul de infraroșu în timp ce poarta se închide, poarta se oprește și se deplasează în sens invers până în poziția complet deschisă, iar lămpile sistemului de acționare se aprind intermitent de 10 ori. Dacă poarta este complet deschisă cu fotocelulele cu infraroșu montate, dar aliniate incorect, poarta nu se închide de la o telecomandă. Cu toate acestea, puteți închide poarta dacă țineți apăsat butonul de pe dispozitivul de comandă al porții sau de pe dispozitivul de intrare fără cheie până când poarta se închide complet. Fotocelulele cu infraroșu nu afectează ciclul de deschidere.



## CONSERVAREA ENERGIEI

Pentru eficiență energetică, sistemul de acționare pentru porți de garaj intră în modul de repaus când poarta este complet închisă. În modul de repaus, sistemul de acționare pentru porți de garaj rămâne dezactivat până când este activat. Modul de repaus formează o secvență cu lampa sistemului de acționare pentru porți de garaj; când lampa se stinge, se sting și ledurile senzorilor, iar atunci când se aprind lămpile sistemului de acționare pentru porți de garaj, se aprind și ledurile senzorilor. Sistemul de acționare pentru porți de garaj nu intră în modul de repaus până când sistemul de acționare pentru porți de garaj nu finalizează 5 cicluri la pornire.

## LĂMPI

Lampa sistemului de acționare pentru porți de garaj se aprinde când sistemul de acționare este conectat prima dată la alimentarea electrică, se reia alimentarea electrică după o întrerupere sau se activează sistemul de acționare pentru porți de garaj. Lampa se oprește automat după 4-1/2 minute.

## CARACTERISTICA DE ILUMINAT

Sistemul de acționare pentru porți de garaj este prevăzut cu o caracteristică adăugată; lămpile se aprind atunci când pe poarta de garaj deschisă intră cineva și se întrerupe fasciculul de infraroșu. Fotocelulele cu infraroșu 771EV / 772E / 771EVK / G770E trebuie să fie montate pentru a beneficia de această caracteristică.

## SISTEM DE ALIMENTARE DE REZERVĂ CU BATERIE (OPȚIONAL)

Sistemul de alimentare de rezervă cu baterie permite accesul în și din garajul dvs., chiar și atunci când alimentarea electrică este oprită. Când sistemul de acționare pentru porți de garaj este alimentat de la baterie, sistemul de acționare pentru porți de garaj funcționează mai lent, lampa nu funcționează, ledul portocaliu de stare a bateriei se aprinde continuu și se emite un semnal sonor la aproximativ fiecare 2 secunde.

## UTILIZAREA SISTEMULUI DVS. DE ACȚIONARE PENTRU PORȚI DE GARAJ

Sistemul de acționare pentru porți de garaj poate fi activat cu ajutorul unui dispozitiv de comandă pentru poartă montat pe perete, al telecomenzii, al dispozitivului de intrare fără cheie și fără fir sau al accesoriului MyQ. Când sistemul de acționare pentru porți este activat de la telecomandă sau comutatorul de perete:

- poarta se închide dacă este complet deschisă
- poarta se deschide dacă este complet închisă
- poarta se oprește dacă este în curs de deschidere sau închidere
- poarta se deplasează în direcție opusă până la ultima mișcare finalizată, dacă este parțial deschisă.

Dacă poarta detectează un obstacol sau este întreruptă în timpul deschiderii, poarta se oprește. Dacă sistemul de acționare pentru porți de garaj detectează un obstacol în timpul închiderii, poarta se deplasează în sens invers. Dacă obstacolul întrerupe fasciculul senzorului, lămpile sistemului de acționare pentru porți de garaj clipesc de 10 ori. Cu toate acestea, puteți să închideți poarta dacă țineți apăsat butonul de pe dispozitivul de comandă al porții sau de pe dispozitivul de intrare fără cheie până când poarta se închide complet. Fotocelulele cu infraroșu nu influențează ciclul de deschidere.

## PROCEDURA DE ACTIVARE ȘI CITIRE A CONTORULUI DE CICLURI:

1. Deconectați alimentarea electrică de la sistemul de acționare rezidențial cu arbore intermediar pentru a intra în acest mod.
2. Apăsați butoanele Reglare (A) și Setare (L) și țineți-le apăstate împreună la reluarea alimentării electrice.
3. Ledul butonului cu săgeată SUS (U) clipește O DATĂ pentru fiecare mie de cicluri COMPLETE dacă butoanele Reglare (A) și Setare (L) sunt apăstate și ținute apăstate.  
De exemplu, dacă RJO a efectuat 8756 de cicluri, ledul SUS clipește de 8 ori.

Pentru a repeta citirea, deconectați RJO de la alimentarea electrică și începeți din nou.

## TRANSMIȚĂTOR DE LAMPĂ (cu 78EV):

Permite setarea unui transmițător la lampa cu led MyQ controlată de la distanță prin dispozitivul de comandă multifuncțional de perete. Pentru programarea transmițătorului pentru lampa cu led MyQ controlată de la distanță:

1. Apăsați și țineți apăstate împreună butoanele LIGHT (LAMPĂ) și LOCK (ÎNCHIZĂTOARE).
2. În timp ce țineți apăstate ambele butoane de mai sus, apăsați și țineți apăsat butonul de pe transmițător până ce lampa de lucru RJO clipește o dată.
3. După ce lampa de lucru a sistemului de acționare clipește o dată, eliberați toate butoanele.

**MOD DE PAUZĂ (cu 78EV):** Telecomenzile portabile nu funcționează dacă este activată această caracteristică. A se vedea instrucțiunile de la 78EV.

**DISPOZITIV DE INTRARE FĂRĂ CHEIE (necesită tastatura fără fir 747EV):** introduceți un cod de 4 cifre la alegere pentru a acționa poarta.

**ACCES TEMPORAR (necesită tastatura fără fir 747EV):** Se poate programa un cod temporar pentru a permite accesul limitat la garaj (în funcție de timp sau de numărul de deschideri).

**CARACTERISTICA DE ÎNCHIDERE DE LA UN BUTON (necesită tastatura fără fir 747EV):** În lipsa codului de acces, poarta poate fi închisă din orice poziție (nu deschisă).

## 24 Conectarea la smartphone-ul dvs.

Sistemul de acționare Wi-Fi® pentru porți de garaj este compatibil cu până la 16 accesorii activate MyQ. La gateway-ul intern al sistemului de acționare Wi-Fi pentru porți de garaj se pot asocia până la 10 dispozitive. Aceste dispozitive pot fi controlate cu aplicația MyQ. Aceste dispozitive includ orice combinație de sisteme de acționare MyQ pentru porți de garaj, sisteme de acționare Wi-Fi pentru porți de garaj, lămpi MyQ, sisteme de acționare MyQ pentru porți. Un gateway de internet LiftMaster (828EV) poate fi adăugat dacă trebuie să controlați peste 10 dispozitive cu ajutorul aplicației MyQ. La sistemul de acționare propriu-zis pentru porți de garaj se pot asocia până la 6 dispozitive (controlate de sistemul de acționare pentru porți de garaj). Aceste dispozitive includ orice combinație de lămpi MyQ sau dispozitive de monitorizare pentru uși și porți de garaj.

### Veți avea nevoie de:

- Smartphone, tabletă sau laptop activat Wi-Fi
- Conexiune la internet în bandă largă
- Semnal Wi-Fi în garaj (2,4 Ghz, 802,11b /g/n necesar)
- Parola pentru rețeaua dvs. de domiciliu (contul principal al router-ului, nu rețea pentru vizitatori)
- Seria MyQ aflată pe sistemul de acționare pentru porți de garaj
- Fotocelule cu infraroșu (opțional)
- Lampă cu led MyQ controlată de la distanță (în sfera livrării)

### SINCRONIZAREA DISPOZITIVULUI DE COMANDĂ AL PORȚII

Pentru a sincroniza dispozitivul de comandă al porții 78EV la sistemul de acționare pentru porți de garaj, apăsați bara de apăsare până când se activează sistemul de acționare pentru porți de garaj (se poate să fie necesare până la 3 apăsări). Sistemul de acționare pentru porți de garaj trebuie să treacă printr-un ciclu complet înainte de a activa programarea Wi-Fi.

### CONECTAREA SISTEMULUI DVS. DE ACȚIONARE PENTRU PORȚI DE GARAJ LA REȚEAUA DVS. WI-FI DE DOMICILIU

1. Apăsați și eliberați de 3 ori butonul galben SETARE (L) de pe sistemul de acționare pentru porți de garaj. Sistemul de acționare pentru porți de garaj va emite un singur semnal sonor. Aveți la dispoziție 20 de minute pentru a finaliza procesul de conectare.
2. Pe dispozitivul dvs. mobil, accesați Setări > Wi-Fi și selectați rețeaua cu prefixul „MyQ-”.
3. Lansați browser-ul web pe smartphone-ul sau tableta dvs. Introduceți [setup.myqdevice.com](http://setup.myqdevice.com) în bara de adrese a browser-ului. Urmați instrucțiunile de pe ecran pentru a conecta sistemul de acționare pentru porți de garaj la rețeaua Wi-Fi. Seria MyQ se afișează pe ecran. Scrieți seria în spațiul de mai jos.

4. Descărcați aplicația MyQ din App Store® sau din magazinul Google Play™. Înregistrați-vă contul MyQ și adăugați seria MyQ la contul dvs.

Pentru a adăuga un al doilea sistem de acționare Wi-Fi pentru porți de garaj, repetați etapele 1-3. Adăugați a doua serie MyQ la contul dvs. în aplicația MyQ.

**NOTĂ:** Aplicația MyQ Smartphone Control NU funcționează dacă sistemul de acționare pentru porți de garaj este alimentat de la baterie. Pentru ștergerea setărilor Wi-Fi a se vedea pagina 16.

LEDul (A) de pe sistemul de acționare pentru porți de garaj indică starea Wi-Fi. A se vedea tabelul de mai jos

LED	DEFINIȚIE
ALBASTRU	Off - Wi-Fi nu este activat. Se aprinde intermitent - Sistemul de acționare pentru porți de garaj se află în modul de setare Wi-Fi. Se aprinde continuu – Dispozitiv mobil conectat la sistemul de acționare pentru porți de garaj.
ALBASTRU ȘI VERDE	Se aprinde intermitent – Se încearcă conectarea la router.
VERDE	Se aprinde intermitent - Se încearcă conectarea la serverul de internet. Se aprinde continuu - Wi-Fi a fost setat și sistemul de acționare pentru porți de garaj este conectat la internet.

## **25 Programarea sistemului dvs. de acționare pentru porți de garaj și a telecomenzii/ butonului de apăsare fără fir/tastaturii fără fir (Opțional)**

Activați sistemul de acționare numai atunci când poarta se află complet în raza vizuală, este fără obstacole și este reglată în mod adecvat. Este interzisă intrarea în garaj sau părăsirea garajului în timp ce poarta se află în mișcare. Nu permiteți copiilor să utilizeze butoanele de apăsare sau telecomenzile. Nu permiteți copiilor să se joace lângă poartă. YReceptorul sistemului dvs. de acționare pentru porți de garaj și unul dintre butoanele telecomenzii sunt programate în prealabil. Dacă achiziționați telecomenzi suplimentare, sistemul de acționare pentru porți de garaj trebuie programat pentru a accepta codul de telecomandă nou.

### **PROGRAMAREA RECEPTORULUI PENTRU TELECOMENZI SUPLIMENTARE: CU AJUTORUL BUTONULUI GALBEN ROTUND**

1. Apăsăți și eliberați butonul galben rotund (L) de pe sistemul de acționare. Indicatorul luminos de setare se aprinde continuu timp de 30 de secunde.
2. În decurs de 30 de secunde, apăsați și țineți apăsat butonul de pe telecomanda pe care doriți să o utilizați pentru acționarea porții dvs. de garaj.
3. Eliberați butonul când lampa sistemului de acționare clipește o dată. Codul a fost setat. Acum, sistemul de acționare va funcționa atunci când se apasă butonul telecomenzii. Dacă eliberați butonul de apăsare al telecomenzii înainte ca indicatorul luminos al sistemului de acționare să clipească, sistemul de acționare nu setează codul.

### **DISPOZITIV DE INTRARE FĂRĂ CHEIE**

1. Apăsăți și eliberați butonul galben rotund (L) de pe sistemul de acționare. Indicatorul luminos de setare se aprinde continuu timp de 30 de secunde.
2. Introduceți un număr personal de identificare (PIN) de 4 cifre la alegere pe tastatura de intrare fără cheie.
3. Apoi apăsați butonul ENTER.
4. Lămpile sistemului de acționare pentru porți de garaj se aprind intermitent (sau se aud două clicuri) atunci când codul a fost programat. Repetați etapele de mai sus pentru a programa telecomenzi suplimentare sau dispozitive de intrare fără cheie. Dacă programarea eșuează, programați telecomanda cu ajutorul butonului de setare.

### **ȘTERGEREA TUTUROR CODURILOR DE TELECOMANDĂ**

Pentru a dezactiva orice telecomandă nedorită, ștergeți mai întâi toate codurile: Apăsăți și țineți apăsat butonul galben rotund de pe sistemul de acționare până când se stinge indicatorul luminos de setare (aproximativ 10 secunde). Toate codurile anterioare sunt șterse acum. Programați din nou fiecare telecomandă sau dispozitiv de intrare fără cheie pe care doriți să îl utilizați.

## **26 Programarea lămpii cu led MyQ controlată de la distanță**

Lampa dvs. controlată de la distanță pentru sistemul de acționare pentru porți de garaj a fost deja programată din fabrică pentru a funcționa cu sistemul dvs. de acționare. Orice lămpi suplimentare sau de înlocuire controlate de la distanță trebuie programate.

### **PROGRAMAREA UNUI SISTEM DE ACȚIONARE PENTRU PORȚI PENTRU LAMPA CU LED MYQ CONTROLATĂ DE LA DISTANȚĂ:**

1. Apăsăți butonul SETARE (L) de pe lampă până când se aprinde ledul verde.
2. Apăsăți butonul SETARE (L) de pe sistemul de acționare pentru porți.
3. Codul este programat atunci când lampa controlată de la distanță clipește o dată.

### **PROGRAMAREA UNEI TELECOMENZI PENTRU LAMPA CU LED MYQ CONTROLATĂ DE LA DISTANȚĂ**

1. Apăsăți butonul SETARE (L) de pe lampă până când se aprinde ledul verde.
2. Apăsăți butonul de pe telecomandă pe care doriți să îl utilizați pentru lampă.
3. Codul este programat atunci când lampa controlată de la distanță clipește o dată.

Pentru programarea lămpii pentru alte accesorii, a se vedea manualul pentru accesoriul dvs.

### **ADĂUGAREA LĂMPII CU LED MYQ CONTROLATĂ DE LA DISTANȚĂ LA CONTUL MYQ**

1. Apăsăți butonul SETARE (L) de pe lampă până când se aprinde ledul verde.
2. Conectați-vă la aplicația MyQ și adăugați lampa cu led MyQ controlată de la distanță.

### **ȘTERGEREA PROGRAMĂRII DIN LAMPA CU LED MYQ CONTROLATĂ DE LA DISTANȚĂ**

1. Apăsăți și țineți apăsat butonul SETARE (L) până când se stinge ledul (6-10 secunde). Întreaga programare este ștersă acum.

---

## 27 Ștergerea memoriei

### ȘTERGEREA TUTUROR TELECOMENZILOR ȘI DISPOZITIVELOR DE INTRARE FĂRĂ CHEIE

1. Apăsăți și țineți apăsat butonul SETARE (L) de pe sistemul de acționare pentru porți de garaj până când se stinge ledul de setare (aproximativ 6 secunde). Toate codurile pentru telecomenzi și dispozitive de intrare fără cheie sunt șterse acum. Programați din nou orice accesoriu pe care doriți să îl utilizați.

### ȘTERGEREA TUTUROR DISPOZITIVELOR (INCLUSIV A ACCESORIILOR ACTIVE MYQ)

1. Apăsăți și țineți apăsat butonul SETARE (L) de pe sistemul de acționare pentru porți de garaj până când se stinge ledul de setare (aproximativ 6 secunde).
2. Apăsăți imediat și țineți apăsat butonul SETARE din nou până când se stinge ledul de setare. Toate codurile sunt șterse acum. Programați din nou orice accesoriu pe care doriți să îl utilizați.

### ȘTERGEREA REȚELEI WI-FI DIN SISTEMUL DE ACȚIONARE PENTRU PORȚI DE GARAJ

1. Apăsăți și țineți apăsat butonul negru Reglare (A) de pe sistemul de acționare pentru porți de garaj până când se aud 3 semnale sonore (aproximativ 6 secunde).

### ȘTERGEREA UNUI CONT MYQ

Accesați [myliftmaster.eu](http://myliftmaster.eu) pentru a vă șterge contul MyQ.

---

## 28 Întreținerea sistemului dvs. de acționare pentru porți de garaj

### PROGRAM DE ÎNTREȚINERE

#### LUNAR

- Acționați poarta manual. Dacă este dezechilibrată sau înțepenită, contactați un tehnician calificat pentru sisteme de poartă.
- Verificați dacă poarta se deschide și se închide complet. Dacă este necesar, ajustați limitele (a se vedea punctul 20 „Programarea cursei”).
- Repetați testul pentru sistemul de siguranță pentru inversarea deplasării. Efectuați toate ajustările necesare (a se vedea punctul 21 „Testarea sistemului de siguranță pentru inversarea deplasării”).

#### ANUAL

- Gresăți rolele, rulmenții și balamalele. Sistemul de acționare pentru porți de garaj nu necesită lubrifiere suplimentară. Nu lubrifiați șinele porții.

### LAMPA CU LED MYQ CONTROLATĂ DE LA DISTANȚĂ

- Deconectați lampa înainte de curățare.
- Utilizați o cârpă umezită ușor pentru a o curăța.
- NU utilizați agenți de curățat lichizi pe lentilele lămpii

---

## 29 Înlocuirea bateriilor telecomenzii

### Bateria telecomenzii:

Bateriile din telecomandă au o durată de viață extrem de lungă. Dacă scade raza de transmisie, trebuie înlocuite bateriile. Bateriile nu sunt acoperite de garanție.

### Vă rugăm să respectați următoarele instrucțiuni pentru baterie:

Bateriile nu trebuie tratate ca deșeuri menajere. Toți consumatorii sunt obligați prin lege să elimine bateriile în mod adecvat la punctele de colectare desemnate. Nu reîncărcați niciodată bateriile care nu sunt destinate pentru a fi reîncărcate.

### Pericol de explozie!

Nu lăsați bateriile la îndemâna copiilor, nu le scurtcircuitați sau nu le desfaceți. Consultați imediat un medic dacă înghițiți o baterie. Dacă este necesar, curățați contactele de pe baterie și dispozitive înainte de încărcare. Îndepărtați imediat bateriile consumate din dispozitiv!

### Risc ridicat de scurgere!

Nu expuneți niciodată bateriile la căldură excesivă cum ar fi razele solare, focul sau altele similare!

Există risc ridicat de scurgere!

Evitați contactul cu pielea, ochii și membranele mucoase. Clătiți părțile afectate de acidul bateriei cu apă rece din abundență și consultați un medic imediat. Utilizați numai baterii de același tip. Îndepărtați bateriile dacă dispozitivul nu este utilizat mult timp.

### Înlocuirea bateriei:



TPentru a înlocui bateria, rotiți telecomanda și deschideți carcasa cu o șurubelniță. Ridicați capacul și apoi placa de comandă de dedesubt. Glisați bateria într-o parte și îndepărtați-o. Respectați polaritatea bateriei! Montați telecomanda la loc în ordine inversă.

### ATENȚIE!

Pericol de explozie dacă bateria este înlocuită în mod necorespunzător. Înlocuiți bateria numai cu una de un tip identic sau echivalent (CR2032) 3V.

## 30 Eliminare

Ambalajul trebuie eliminat în containerele locale pentru materiale reciclabile. În conformitate cu Directiva Europeană 2002/96/CE privind deșeurile de echipamente electrice, acest dispozitiv trebuie să fie eliminat în mod corespunzător după utilizare, pentru a se asigura reciclarea materialelor utilizate.

-  Acumulatorii și bateriile vechi nu pot fi eliminate în deșeurile menajere, deoarece conțin poluanți, și trebuie să fie eliminate în mod corespunzător în punctele de colectare municipale sau în containerele distribuitorului. Trebuie să se respecte reglementările naționale.
-  Componentele trebuie eliminate în mod corespunzător la o companie publică specializată în eliminarea deșeurilor. Trebuie respectate reglementările locale și naționale relevante. Componentele de acționare dezafectate nu pot fi eliminate în deșeurile menajere.

Autoritatea competentă (municipală) sau compania sa de eliminare a deșeurilor vă poate informa cu privire la posibilitățile de eliminare.

## 31 Diagrama de diagnoză

Sistemul dvs. de acționare pentru porți de garaj este programat cu capabilități de autodiagnoză. Săgețile UP (SUS) și DOWN (JOS) de pe sistemul de acționare pentru porți de garaj se aprind intermitent pentru a indica codurile de diagnoză.

DIAGNOZĂ COD	SIMP TOM	SOLUȚIE	
Săgeata Sus Se aprinde intermitent	Săgeata Jos Se aprinde		
INTERMI- TENT	1	Sistemul de acționare pentru porți de garaj nu se închide și lampa se aprinde intermitent.	Dacă sunt montate fotocelule cu infraroșu, atunci acestea nu sunt conectate sau firele pot fi tăiate. Inspectați firele senzorilor pentru a găsi firul deconectat sau tăiat.
1	2	Sistemul de acționare pentru porți de garaj nu se închide și lampa se aprinde intermitent.	Există un fir scurtcircuitat sau inversat la fotocelulele cu infraroșu. Inspectați firul fotocelulelor în toate punctele de fixare cu capse și în punctele de conectare, și înlocuiți firul sau corectați-l după cum este necesar.
1	3	Dispozitivul de comandă al porții nu funcționează.	Firele pentru dispozitivul de comandă al porții sunt scurtcircuitate sau dispozitivul de comandă al porții este defect. Inspectați firele dispozitivului de comandă al porții în toate punctele de fixare cu capse și în punctele de conectare, și înlocuiți firul sau corectați-l după cum este necesar.
1	4	Sistemul de acționare pentru porți de garaj nu se închide și lampa se aprinde intermitent.	Dacă sunt montate fotocelule cu infraroșu, atunci acestea sunt aliniate incorect sau au fost blocate momentan. Reglați ambii senzori pentru a vă asigura că ambele leduri sunt aprinse continuu și nu clipească. Asigurați-vă că de poartă nu este atârnat sau montat nimic care ar putea întrerupe senzorii în timpul închiderii.
1	5	Poarta se deplasează 15-20 cm și se oprește sau se deplasează în sens invers.	Deschideți și închideți poarta manual. Verificați dacă este înțepenită sau blocată, de exemplu, de un arc sau o închizătoare de poartă ruptă; corectați după cum este necesar. Verificați conexiunile cablurilor la modulul de deplasare și la placa logică. Înlocuiți modulul de deplasare dacă este necesar.
1	5	Nicio mișcare, numai un singur clic.	Deschideți și închideți poarta manual. Verificați dacă este înțepenită sau blocată, de exemplu, de un arc sau o închizătoare de poartă ruptă; corectați după cum este necesar. Înlocuiți placa logică dacă este necesar.
1	5	Sistemul de acționare emite un bâzâit timp de 1-2 secunde, nicio mișcare	Deschideți și închideți poarta manual. Verificați dacă este înțepenită sau blocată, de exemplu, de un arc sau o închizătoare de poartă ruptă; corectați după cum este necesar. Înlocuiți motorul dacă este necesar.
1	6	Poarta alunecă după ce s-a oprit complet.	Programați cursa în poziția de alunecare sau contactați un tehnician calificat pentru a echilibra poarta.
2	1-5	Nicio mișcare sau sunet.	Înlocuiți placa logică.
3	1	Sistemul de acționare pentru porți de garaj se deplasează ușor, apoi se oprește.	Activați din nou sistemul de acționare pentru porți de garaj. Dacă problema persistă, înlocuiți placa logică.
3	3	Ledul verde de stare a bateriei se aprinde intermitent în mod constant	Eroare la circuitul de încărcare al bateriei, înlocuiți placa logică.

DIAGNOSTIC CODE		SYMPTOM	SOLUTION
Up Arrow Flash(es)	Down Arrow Flash(es)		
3	5	Sistemul de acționare pentru porți de garaj nu se închide sau poarta își inversează deplasarea în timpul cursei.	Dacă s-au montat anterior două dispozitive de monitorizare a tensionării cablului și unul a fost demontat, deconectați și conectați sistemul de acționare de trei ori pentru a reseta dispozitivul de monitorizare la sistemul de acționare. <ul style="list-style-type: none"> <li>• Verificați dacă există eventuale obstacole pe traiectoria porții și îndepărtați-le.</li> <li>• Verificați dacă dispozitivul de monitorizare a tensionării cablului este conectat în mod adecvat la sistemul de acționare.</li> <li>• Înlocuiți dispozitivul de monitorizare a tensionării cablului.</li> </ul>
4	1-4	Poarta se deplasează și se oprește sau se deplasează în sens invers.	Deschideți și închideți poarta manual. Verificați dacă este înțepenită sau blocată, de exemplu, de un arc sau o închizătoare de poartă ruptă; corectați după cum este necesar. Dacă poarta este înțepenită sau blocată, contactați un tehnician calificat pentru sisteme de poartă. Dacă poarta nu este înțepenită sau blocată, încercați să programați din nou cursa.
4	5	Sistemul de acționare se deplasează aproximativ 15-20 cm și se oprește și se deplasează în sens invers.	Eroare de comunicare către modulul de deplasare. Verificați conexiunile modulului de deplasare, înlocuiți modulul dacă este necesar.
4	6	Sistemul de acționare pentru porți de garaj nu se închide și lampa se aprinde intermitent.	Fotocelulele cu infraroșu sunt aliniate incorect sau au fost blocate momentan. Reglați ambii senzori pentru a vă asigura că ambele leduri sunt aprinse continuu și nu clilesc. Asigurați-vă că de poartă nu este atârnat sau montat nimic care ar putea întrerupe traiectoria senzorilor în timpul închiderii.
5	5	Poarta nu se închide când se utilizează Timer-to-Close (Temporizatorul pentru închidere) sau MyQ Smartphone Control.	Lampa cu led MyQ controlată de la distanță trebuie să fie montată pentru a utiliza TTC sau MyQ pentru controlul porții. Conectați lampa cu led MyQ controlată de la distanță și asigurați-vă că este programată pentru sistemul de acționare pentru porți de garaj.

## 32 Identificarea și remedierea defecțiunilor

### Sistemul de acționare pentru porți de garaj nu se activează nici de la dispozitivul de comandă al porții și nici de la telecomandă:

- Sistemul de acționare pentru porți de garaj este alimentat cu energie electrică? Conectați o lampă la priză. Dacă nu se aprinde, verificați cutia de siguranțe sau întrerupătorul de circuit. (Unele prize sunt controlate de un comutator de perete.)
- Ați dezactivat toate închizătorii porții? Consultați avertismentele privind instrucțiunile de montaj de la pagina 5.
- Sunt corecte conexiunile cablurilor?
- Există o formațiune de gheață sau de zăpadă sub poartă? Poarta poate fi înghețată la sol. Eliminați orice obstacol.
- Arcul porții de garaj poate fi rupt. Acesta trebuie înlocuit (a se vedea punctul 3 „Planificarea”).

### Sistemul de acționare pentru porți se activează de la stația de comandă cu un singur buton, dar nu și de la o telecomandă:

- Programați din nou telecomanda și înlocuiți bateria dacă este necesar. Repetați operațiunea pentru toate telecomenzile.

### Poarta se deschide și se închide de la sine:

- Asigurați-vă că sunt dezactivate toate butoanele de apăsare ale telecomenzii.
- Scoateți firul de tip fir de sonerie din bornele stației de comandă cu un singur buton și activați numai de la telecomandă. Dacă acest lucru rezolvă problema, înseamnă că stația de comandă cu un singur buton este defectă sau există o întrerupere a firului. Înlocuiți stația de comandă.
- Ștergeți memoria și programați din nou toate telecomenzile (a se vedea instrucțiunile furnizate împreună cu telecomanda sau vizitați LiftMaster.eu).

### Telecomanda nu activează poarta de garaj:

- Verificați dacă nu este activată funcția de blocare pe dispozitivul de comandă al porții.
- Programați din nou telecomanda.
- Dacă telecomanda tot nu activează poarta, verificați codurile de diagnoză pentru a vă asigura că sistemul de acționare pentru porți de garaj funcționează corect.

### Telecomanda are o rază scurtă:

- Schimbați locația telecomenzii în autovehiculul dvs.
- Unele sisteme pot avea o rază mai scurtă din cauza unei uși metalice, unei izolații învelite în folie sau a unei șine de garaj metalice.

**Poarta nu se deschide complet:**

- Verificați închizătoarea electrică de poartă.
- Există ceva care blochează poarta? Este dezechilibrată sau are arcurile rupte? Îndepărtați obstacolele sau reparați poarta.

**Ușa se deschide, dar nu se închide:**

- Verificați dacă dispozitivul de monitorizare a tensionării cablului este montat corect. Dacă a fost demontat un al doilea dispozitiv de monitorizare a tensionării cablului, urmați instrucțiunile pentru a reseta un singur dispozitiv de monitorizare a tensionării cablului (a se vedea punctul 14).
- Fotocelulele cu infraroșu trebuie să fie conectate și aliniate corect înainte ca sistemul de acționare pentru porți să se deplaseze în jos. Dacă puteți închide poarta utilizând o presiune constantă, verificați dacă fotocelulele cu infraroșu sunt montate și aliniate în mod adecvat și fără obstacole.
- Dacă lămpile sistemului de acționare pentru porți de garaj clipeșc, verificați fotocelulele cu infraroșu.
- Dacă lămpile sistemului de acționare pentru porți de garaj nu clipeșc și este o instalație nouă (a se vedea punctul 14). Pentru o instalație existentă a se vedea mai jos.

Repetăți testul pentru sistemul de siguranță pentru inversarea deplasării după finalizarea reglării.

**Poarta se deplasează în sens invers fără niciun motiv aparent, iar lămpile sistemului de acționare pentru porți de garaj nu clipeșc:**

- Verificați dacă dispozitivul de monitorizare a tensionării cablului este montat corect. Dacă se demontează unul din dispozitivele de monitorizare a tensionării cablului, deconectați ambele dispozitive de monitorizare de la sistemul de acționare. Apoi conectați dispozitivul de monitorizare pe care doriți să-l utilizați și deconectați și conectați sistemul de acționare de trei ori pentru a reseta dispozitivul de monitorizare la sistemul de acționare. Rezistorul 1k este prevăzut numai pentru identificarea și remedierea defecțiunilor la reglajul dispozitivului de monitorizare a tensionării cablului. Conform EN12453, dispozitivul de monitorizare trebuie montat pentru a detecta în mod adecvat orice slăbire a întinderii cablului.
- Există ceva care blochează poarta? Trageți mânerul de decuplare de urgență. Acționați poarta manual. Dacă este dezechilibrată sau înțepenită, contactați un tehnician calificat pentru sisteme de poartă.
- Îndepărtați gheața sau zăpada din zona podelei garajului unde se închide poarta.
- Consultați punctul 20.

Repetăți testul pentru sistemul de siguranță pentru inversarea deplasării după finalizarea reglării.

**Poarta nu se închide, iar lampa clipește:**

- Fotocelulele cu infraroșu trebuie să fie conectate și aliniate corect înainte ca sistemul de acționare pentru porți de garaj să se deplaseze în jos.
- Verificați dacă fotocelulele cu infraroșu sunt montate și aliniate în mod adecvat și fără obstacole.

**Sistemul de acționare pentru porți de garaj se forțează să acționeze poarta:**

- Poate că poarta este dezechilibrată sau arcurile sunt rupte. Închideți poarta și utilizați mânerul de decuplare de urgență pentru a deconecta poarta. Deschideți și închideți poarta manual. O poartă echilibrată în mod adecvat va rămâne pe loc în orice punct al cursei, fiind susținută complet de arcurile sale. Dacă nu se întâmplă acest lucru, deconectați sistemul de acționare pentru porți de garaj și contactați un tehnician calificat pentru sisteme de poartă.

**Motorul sistemului de acționare pentru porți de garaj emite un bâzâit scurt, iar apoi nu mai funcționează:**

- Se poate ca arcurile porții de garaj să fie rupte. A se vedea mai sus.
- Dacă problema apare la prima funcționare a sistemului de acționare pentru porți de garaj, este posibil ca poarta să fie încuiată. Dezactivați închizătoarea de poartă electrică.

**Sistemul de acționare pentru porți de garaj nu funcționează din cauza unei căderi de tensiune:**

- Deschideți manual închizătoarea electrică de poartă.
- Utilizați mânerul de decuplare de urgență pentru a deconecta poarta. Poarta poate fi deschisă și închisă manual. Când se reia alimentarea electrică, trageți dispozitivul manual de decuplare a doua oară.
- Dezactivați toate închizătorile de poartă. Utilizați mânerul de decuplare de urgență pentru a deconecta poarta. Poarta poate fi deschisă și închisă manual.

**Poarta nu respectă limitele:**

- Manșonul nu este fixat bine. Strângeți manșonul și programați din nou limitele (a se vedea punctul 20).

**Sistemul de acționare pentru porți de garaj se mișcă când poarta este în funcțiune:**

- O mișcare minoră este normală pentru acest produs. Dacă este excesivă, se va uza prematur manșonul.
- Verificați dacă bara de torsiune nu se mișcă prea mult în stânga/dreapta.
- Verificați dacă bara de torsiune nu se mișcă vizibil în sus și în jos pe măsură ce se rotește.
- Verificați dacă sistemul de acționare este montat în unghi drept față de arborele intermediar. Dacă nu, mutați poziția suportului de montaj.

**Conectorul închizătorii automate de poartă nu se potrivește în mufa sistemului de acționare pentru porți:**

- Modelele mai vechi de închizători de 24 V sunt incompatibile. Utilizați închizătoarea automată de poartă model 841EU, a se vedea pagina Accesorii.

### Închizătoarea automată de poartă de garaj nu se activează când se deschide sau se închide poarta de garaj:

- În modul „Baterie”, închizătoarea automată de poartă de garaj se deblochează când poarta de garaj este deschisă și rămâne dezactivată până când se reia alimentarea electrică.

### Sistemul de acționare pentru porți emite semnale sonore:

- Indică închiderea nesupravegheată. Sistemul de acționare a fost activat de aplicația MyQ sau de dispozitivul de monitorizare a garajului și porții.
- Ledul portocaliu aprins continuu cu semnal sonor la aproximativ fiecare 2 secunde indică faptul că sistemul de acționare pentru porți funcționează pe baterie.
- Ledul portocaliu aprins intermitent cu semnal sonor la fiecare 30 de secunde indică faptul că bateria este descărcată.
- Ledul roșu aprins continuu cu semnal sonor la fiecare 30 de secunde indică faptul că bateria de 12V nu va mai putea fi încărcată și trebuie să fie înlocuită.

### Poarta de garaj emite semnale sonore, iar ledul roșu se aprinde intermitent:

Bateria este descărcată aproape complet sau complet.

- Înlocuiți bateria.

### MyQ Smartphone Control, dispozitive MyQ fără fir și Timer-To-Close (Temporizator pentru închidere) nu funcționează:

- În modul „Baterie”, MyQ Smartphone Control, dispozitivele MyQ fără fir și Timer-To-Close (Temporizator pentru închidere) sunt dezactivate.
- Pentru utilizarea funcției Timer-to-Close (Temporizator pentru închidere) sau MyQ Smartphone Control a porții trebuie să se monteze o lampă cu led MyQ controlată de la distanță. Conectați lampa cu led MyQ controlată de la distanță și asigurați-vă că este programată pentru sistemul de acționare pentru porți de garaj. Este posibil ca activarea funcției Timer-to-Close (Temporizator pentru închidere) și MyQ Smartphone Control să dureze până la 5 minute.

## 33 Accesorii opționale

Utilizați întotdeauna accesorii LiftMaster.

Produsele externe pot cauza defecțiuni.

1.	TX4UNIF	Telecomandă universală cu 4 canale
2.	TX4EVS	Telecomandă cu 4 canale
3.	TX4UNI/S	Telecomandă universală cu 4 canale
4.	128EV	Dispozitiv de comandă de perete fără fir și cu 2 canale
5.	747EV	Tastatură
6.	78EV	Dispozitiv de comandă de perete cablat multifuncțional
7.	FLA-1LED	Lampă intermitentă
8.	772E	Fotocelule
9.	100034	Comutator cu cheie (montaj încastrat)
10.	100041	Comutator cu cheie (montaj de suprafață)
11.	829EV	Dispozitiv de monitorizare a porților de garaj
12.	485EU	Sistem de alimentare de rezervă cu baterie
13.	827EV	Lampă cu led MyQ controlată de la distanță
14.	041A9264	Dispozitiv de monitorizare a tensionării cablului
15.	841EU	Închizătoare automată de poartă



## 34 Date tehnice

Tensiune de intrare	230-240 Vc.a., 50 Hz
Cuplu max.	36 Nm - c.a. + baterie 29 Nm - c.a.
Cuplu nominal	10 Nm
Putere	150 W
Putere în stand-by	2,6 W
Tip motor	motor cu reductor c.c. cu lubrifiere continuă
Nivel de zgomot	57dB
Viteză de deplasare	21rpm (în jos), 36rpm (în sus)
Siguranță personală	Buton de apăsare și oprire automată pe direcția în jos. Buton de apăsare și oprire automată pe direcția în sus.
Electronic	Reglare automată a forței
Electric	Cablaj dispozitiv de protecție împotriva supraîncărcării transformatorului și buton de apăsare de joasă tensiune.
Dispozitiv de limitare	Detector optic RPM/puncte de trecere.
Reglare limite	Electronică, semiautomată și complet automată.
Circuit de pornire	Circuit buton de apăsare de joasă tensiune.
Înălțime max. poartă	3 m
Lățime max. poartă	5,5 m
Dim. max. poartă	16.5 m <sup>2</sup>
Greutate max. poartă	130 kg
Greutate suspendată	11 kg
Registre memorie receptor	64
Frecvență de lucru	433 / 868 MHz, 2.4 GHz

## 35 Ghid de siguranță și întreținere pentru sistem automat de acționare pentru porți de garaj

### SIGURANȚA SISTEMULUI DE ACȚIONARE PENTRU PORȚI DE GARAJ - O DECIZIE AUTOMATĂ

O poartă de garaj este cel mai mare obiect mobil din casă. O poartă de garaj și un sistem de acționare reglate în mod necorespunzător pot exercita o forță fatală la închiderea porții - care ar putea conduce la prinderea copiilor sau a adulților, și ulterior la vătămare sau deces.

Montarea, utilizarea, întreținerea și testarea adecvată a porții de garaj și a sistemului automat de acționare sunt necesare pentru a se asigura un sistem sigur și fără probleme. Utilizarea neglijentă sau lăsarea copiilor să se joace cu dispozitivele de comandă ale sistemului de acționare pentru porți de garaj sau să le utilizeze sunt, de asemenea, situații periculoase care pot conduce la rezultate tragice. Câteva măsuri de precauție simple vă pot proteja familia și prietenii împotriva potențialelor vătămări. Vă rugăm să consultați cu atenție sfaturile de siguranță și întreținere din prezenta broșură și să le păstrați pentru consultare. Verificați funcționarea porții dvs. de garaj și a sistemului dvs. de acționare pentru a vă asigura că acestea funcționează într-o manieră sigură și fără probleme. Asigurați-vă că ați citit toate informațiile importante privind siguranța din manualul sistemului de acționare pentru porți de garaj, deoarece acesta oferă mai multe detalii și considerații privind siguranța decât pot fi furnizate în prezenta broșură.

### Sistemele de acționare pentru porți de garaj nu sunt jucării

Discutați despre siguranța porții de garaj și a sistemului de acționare cu copiii dvs. Explicați-le pericolul de a fi prinși sub poartă.



Nu vă apropiați de poarta în mișcare.



Nu lăsați transmițătoarele și telecomenzile la îndemâna copiilor. Nu permiteți copiilor să se joace cu transmițătoarele sau celelalte dispozitive de telecomandă sau să le utilizeze.



Butonul de apăsare cu montaj pe perete nu trebuie să se afle la îndemâna copiilor, ci la cel puțin o distanță de 1,5 m față de cea mai apropiată suprafață de stat în picioare și departe de toate piesele mobile. Montați și utilizați butonul într-un loc din care puteți vedea clar poarta de garaj care se închide.



Când utilizați butonul de apăsare cu montaj pe perete sau transmițătorul, țineți poarta în raza dvs. vizuală până când aceasta se închide complet.

## 36 Întreținerea de rutină poate preveni tragediile

Realizați o inspecție și o testare lunară a porții dvs. de garaj și a sistemului dvs. de acționare în cadrul rutinei dvs. obișnuite. Consultați manualul dvs. de utilizare atât pentru poartă cât și pentru sistemul de acționare pentru porți. Dacă nu aveți manualele de utilizare, contactați-l pe producător (producători) și solicitați o copie pentru modelul (modelele) dvs. specifice. Căutați numărul modelului de sistem de acționare pe partea din spate a unității de alimentare.



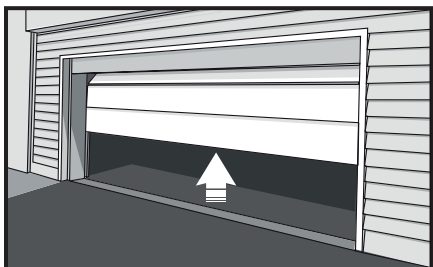
**AVERTISMENT – Arcurile sunt supuse unei tensiuni ridicate. Acestea trebuie reglate numai de persoane calificate.**

### Verificarea vizuală a porții și sistemului:



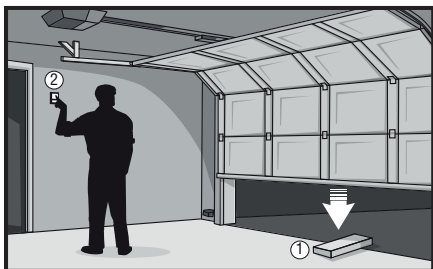
- Cu poarta în poziția închisă, utilizați deconectarea manuală a sistemului de acționare pentru a deconecta poarta.
- Căutați semne de uzură sau deteriorări la balamale, role, arcuri și panouri de poartă.
- Aceste piese pot necesita lubrifiere periodică. Verificați manualul de utilizare pentru întreținerea recomandată.
- Dacă există semne de deteriorare, contactați un tehnician calificat pentru sisteme de poartă pentru a vă oferi asistență.
- Verificați dacă înălțimea senzorilor fotoelectrici nu depășește (15 cm) de la podeaua garajului.

### Testarea funcționării adecvate a porții:



- Deschideți și închideți poarta manual cu ajutorul mânerelor sau punctelor de prindere adecvate.
- Poarta trebuie să se deplaseze liber și fără dificultăți.
- Poarta trebuie să se echilibreze și să rămână deschisă parțial la 3-4 picioare (0,9 – 1,2 m) deasupra podelei.
- Dacă observați semne de funcționare necorespunzătoare, contactați un tehnician calificat pentru sisteme de poartă.

### Testarea caracteristicilor de siguranță ale sistemului de acționare:



- Reconectați sistemul de acționare la poartă utilizând deconectarea manuală și deschideți poarta.
- Așezați o placă cu o înălțime de 40 mm în calea porții (1) și încercați să o închideți (2). Poarta trebuie să se oprească când intră în contact cu placa și apoi să își inverseze direcția.
- Blocați senzorul fotocelulei prin fluturarea unui obiect în fața senzorului și încercați să închideți poarta. Poarta nu trebuie să se închidă, cu excepția cazului în care butonul de apăsare cu montaj pe perete este ținut apăsat manual în timpul funcționării.
- Dacă sistemul de acționare nu funcționează așa cum este descris, contactați un tehnician calificat pentru sisteme de poartă pentru a vă oferi asistență.

## Athugið:

Upprunalegar uppsetningar- og notkunarleiddbeiningar eru á ensku.

Leiðbeiningar á öðrum tungumálum eru þýðingar á upprunalega enska textanum.

1	Almennar öryggisleiðbeiningar .....	2
2	Fyrirhuguð notkun.....	3
3	Undirbúningur á notkun hurðar.....	3
4	Undirbúningur fyrir notkun MyQ.....	3
5	Bilskúrshurðin undirbúin .....	4
6	Nauðsynleg verkfæri.....	4
7	Innihald kassans.....	4
8	Áskildir aukahlutir .....	4
9	Festið kragann við bilskúrshurðaoþnarann .....	5
10	Festingin skrúfuð við bilskúrshurðaoþnarann.....	5
11	Bilskúrshurðaoþnarinn staðsettur og festur.....	5
12	Neyðaropunarreiðið og -handfangið sett upp .....	5
13	Sjálfvirk hurðalæsing sett upp .....	6
14	Koma verður fyrir greiningarbúnaði fyrir vírstrekkingu (041A9264) (áskilinn aukabúnaður).....	6
15	Uppsetning á LED-ljósi MyQ-fjarstýringar (aðeins fyrir þurr svæði) .....	7
16	Raftengingar.....	7
17	Uppsetning á ljósnemum .....	7
18	Rafmagni hleypt á.....	8
19	Aukarafhliðu komið fyrir (aukabúnaður) .....	8
20	Forritun á ferli hurðar .....	9
21	Prófið öryggisopnunarferfið.....	9
22	Hurðin opnuð handvirk .....	10
23	Notkun á bilskúrshurðaoþnarannum .....	10
24	Tengst með snjallsíma .....	12
25	Forritun opnara og fjarstýringar / þráðlauss þrýstihnapps/ / þráðlauss lykklaborðs (aukabúnaður).....	13
26	LED-ljós MyQ-fjarstýringar forritað .....	13
27	Minninu eytt .....	14
28	Viðhald og umhirða á bilskúrshurðaropnarannum.....	14
29	Skipt um rafhlöðurnar í fjarstýringunni.....	14
30	Förgun.....	15
31	Greiningartafla.....	15
32	Bilanaleit.....	16
33	Aukabúnaður sem fylgir ekki .....	19
34	Tæknilysing .....	19
35	Öryggis- og viðhaldsleiðbeiningar fyrir sjálfvirkan bilskúrshurðaoþnara.....	20
36	Reglubundið viðhald getur komið í veg fyrir slys .....	21

### 1 Almennar öryggisleiðbeiningar

Áður en hafist er handa við uppsetningu:

Lesið notkunarleifið og leggið sérstaka áherslu á varúðarráðstafanirnar. Geymið handbókina til síðari nota og látið hana fylgja til næsta eiganda. Eftirfarandi táknu eru sett fyrir framan leiðbeiningar sem ætlað er að koma í veg fyrir meiðsl eða eignatjón. Lesið þessar leiðbeiningar vandlega.



#### VARÚÐ

Meiðsl eða eignatjón



#### VARÚÐ

Hætta vegna rafstraums eða rafspennu

#### Mikilvægar öryggisupplýsingar

Sjálfvirka hurðaropunarkerfið er prófað og hannað fyrir örugga notkun en einungis er hægt að tryggja öryggi ef öryggisleiðbeiningunum hér að neðan er fylgt í hvetna við uppsetningu og notkun. Aðeins fagfólk í uppsetningu á bílskúrshúðum skulu setja upp þessa vöru. Hugsanlega verður að gera breytingar á gormum og/öðra brautum hurðarinnar. Þessa vöru skal ekki nota á lágum brautum með ytri upptökutromlu né bílskúrshúðum með framlenjingargormum

- Uppsetningaraðili (fagaðili) skal lesa þessar leiðbeiningar vandlega áður en vinna hefst. Fyrir fyrstu notkun og a.m.k. einu sinni á ári skal fagaðili kanna hvort rafdrifnir gluggar, rafdrifnar hurðir og rafdrifin hlið virki á öruggan hátt. Fagaðili telst vera sá aðili sem í krafti fenginnar tæknipjálfunar og reynslu hefur fullnægjandi þekkingu á sviði rafdrifinna glugga, hurða og hliða og þekkir nægilega til gildandi reglugerða um öryggi og almennt viðurkenndra reglna um tækni til að geta einnig metið hvort rafdrifnir gluggar, rafdrifnar hurðir og rafdrifin hlið virki á öruggan hátt.
- Uppsetningaraðillinn þarf að þekkja eftirfarandi staðla: EN 13241, EN 12604, EN 12453. Þjálfaður fagaðili/sérfræðingur skal leiðbeina notanda um eftirfarandi:
  - Hvernig drifið starfar og hættumar sem af því stafa - Hvernig á að nota handvirka neyðaropunarbúnaðinn
  - Reglubundið viðhald, skoðun og umhirðu og skyldur hans
  - Notandi skal leiðbeina öðrum notendum um hvernig drifið starfar.
  - Þegar drifinu hefur verið komið fyrir skal uppsetningaraðillinn skila frá sér EB-samræmisyfirlýsingu fyrir hurðarkerfið í samræmi við vélátalskipun 2006/42/EB. Festa verður CE-merkið og upplýsingaplötu á hurðarkerfið. Einnig er skylda að gera slíkt við endurbætur á handvirkri hurð. Þar að auki verður að fylla út verklýsingu fyrir afhendingu og skoðunarbók.
- Hurðin skal vera stöðug. Lagfæra verður hurðir sem haggast ekki eða eru fastar. Mikil strekking getur myndast þegar bílskúrshurðir, hurðargormar, lyftivirar, diskar, festingar og brautir eru óstöðugar og slíkt getur valdið alvarlegum meiðslum. Ekki reyna að losa um, færa eða endurstilla hurðina. Hafðið heldur samband við þjónustuver eða hurðasérfræðing.
- Ekki klæðast viðum fötum né berði á ykkur skartgripni eða armbandsúr við uppsetningu eða viðhald á hurðaropnara.
- Fjarlægjið alla vira og allar keðjur sem tengdar eru við hurðina áður en hurðaroparanum er komið fyrir til að koma í veg fyrir alvarlegt líkamstjón.
- Fylgja verður gildandi byggingar- og raflagnareglugerðum við uppsetningu og raftengingu.
- Uppsetning greiningarbúnaðar fyrir virstrekkingu er áskilin samkvæmt EN12453.
- Einnig skal koma fyrir viðeigandi styrkingu til að koma í veg fyrir að skemmdir á mjög léttum húðum (eins og hurðum úr gletrefjum, áli eða stáli). Hafðið samband við framleiðanda hurðanna þegar slíkt er gert.
- Prófa skal sjálfvirka öryggisopunarkerfið. Þegar hurðin kemst í snertingu við hindrun sem er 40 mm frá jörðu VERÐUR hurðin að opnast. Rangt stilltur hurðaropnari getur valdið alvarlegum meiðslum þegar bílskúrshurð lokast. Prófið hurðina á mánaðarfresti og gerið breytingar eftir þörfum.
- Ekki skal setja upp þetta kerfi á svæðum þar sem er mikill raki eða bleyta.
- Hurðin skal undir engum kringumstæðum loka fyrir almenna gangveg þegar hún er notuð.
- Auk upplýsta veggrofans skal koma fyrir viðvörðunarkerki til að minna alla notendur á að nota hurðina á öruggan hátt og til að vernda börn. Viðvörðunarkerkjum er gefa til kynna hættu á að festast skal koma fyrir á stöðum þar sem þau sjást greinilega.
- Gæta þarf að að börn leiki sér ekki að tækinu. Leyfið ekki börnum að yta á hnappana né handfjatla fjarstýringuna.
- Ekki er ætlast til þess að tækið sé notað af einstaklingum (þ.m.t. börnum) með skerta líkamlega og andlega hæfni né skynjunartruflanir eða einstaklingum sem hafa takmarkaða reynslu og/öðra þekkingu, að því undanskildu að slíkir einstaklingar séu undir eftirliti aðila sem er ábyrgur fyrir öryggi þeirra eða þeim hefur verið leiðbeint um hvernig skal nota tækið.
- Allir tálmar/lásar eru gerðir óvirkir til að koma í veg fyrir skemmdir á hurðinni.
- Ef nauðsynlegt þykir að festa frekar uppsettan stjórnbúnað, SKAL koma honum fyrir þar sem sést í hurðina og börn ná ekki til hans. Ekki skal leyfa börnum að yta á hnappana né handfjatla fjarstýringuna. Misnotkun á hurðaroparanum getur valdið alvarlegum meiðslum.
- Notandi skal EINGÖNGU nota hurðaropnarnum ef hann getur séð allt hurðarsvæðið og er þess fullviss að engar hindranir séu til staðar og hurðaropnarin sé rétt stilltur. Bannað er að ganga undir hurðina á meðan hún er á hreyfingu. Börnum mega ekki leika sér við hurðina.
- Aðeins skal nota handvirka opnarnann til að aftengja sleðann frá drifinu og EINGÖNGU þegar hurðin er lokuð, ef því er við komið. Ekki nota rauða handfangið til að yta hurðinni upp né draga hana niður.
- Áður en viðgerðir fara fram eða hlífur eru fjarlægðar skal taka hurðaropnarnum úr sambandi við rafmagn. Aðeins löggiltur rafvirki skal sjá um viðgerðir og uppsetningu á rafmagnsbúnaði.

- Þessari vöru fylgir straumbreytir með sérstakri rafmagnsnúru. Ef skemmdir verða á straumbreytinum SKAL fagmaður skipta honum út fyrir upprunalegan spennubreyti.
- Notkun á neyðaropnara getur valdið því að hurðin hreyfist óvænt ef gormarnir eru slappir eða brotnir eða ef hurðin er óstöðug.
- Ekki festa handfang neyðarlosunar hærra en sem nemur 1,80 m.
- TTC-tímalokun, MyQ-forritið fyrir snjallsíma og MyQ-eftirlitskerfið fyrir bílskúrshurðir og hlíð eru dæmi um fjarstýrða lokun og skal EINGÖNGU nota með einingaskiptum hurðum. Öll tæki og búnaður sem loka hurð utan sjónlínu falla undir fjarstýrða lokun. TTC-tímalokun, MyQ-forritið fyrir snjallsíma og önnur MyQ-tæki skal EINGÖNGU nota með einingaskiptum hurðum.
- Ekki má nota drifíð ef það er hurð í hurðinni.

Geymið þessar leiðbeiningar.

## 2 Fyrirhugað notkun

Tækið skal nota til að opna og loka hurðum með snerilífjöður og gormum (sjá hluta 3 um undirbúning). Tækið er ekki til notkunar í fyrirtækjum heldur einungis í bílskúrshurðum í einkaeigu fyrir heimili. Röng notkun á tækinu eykur líkurnar á slysum. Framleiðandi tekur enga ábyrgð á slíkrri notkun. Aðeins má tengja upprunalegan aukabúnað frá LiftMaster við drifíð. Ásamt þessu drifi verða sjálfvirk hlíð að uppfylla gildandi alþjóðlega og staðbundna staðla, viðmið og reglugerðir (EN 13241, EN 12453 og EN 12604).

## 3 Undirbúningur á notkun hurðar

Skoðið svæðið til að sjá hvort það uppfylli skilyrðin hér á eftir varðandi uppsetningu. Hugsanlega er þörf á frekara efni, allt eftir því hvernig notkun hurðarinnar er háttað.

ÞESSI HURÐAROPNARI ER SAMHÆFUR VIÐ EFTIRFARANDI:

- Hurðir með snerilífjöður og gormum. Snerilífjörðin skal vera 25,4 í þvermál. Hún er EKKI samhæf við kefli með öfugum snúningi.
- 80-120 mm kefli, má ekki nota með keilulaga keflum sem eru yfir 120 mm.
- Hlutaskiptar hurðir með staðlaðri lyftu sem eru allt að 3 m á breidd.
- Hurðir sem eru allt að 5,5 m á breidd.
- Hurðir sem eru allt að 16.5 m<sup>2</sup>.

*ATHUGIÐ: Fylgist með snerilífjörðinni á meðan hurðin er hækkuð og lækkuð. Afar mikilvægt er að engin hreyfing sé greinanleg upp og niður á við né til vinstri eða hægrí. Endingartími bílskúrshurðarinnar styttest verulega ef slíkar hreyfingar eru ekki lagfærðar*

Farið yfir eða skoðið fyrirhugað uppsetningarsvæði. Bílskúrshurðaropnarinn er hægt að setja upp vinstra eða hægra megin við hurðina. Veljið þá hluta sem uppfyllir kröfurnar hér á eftir.

- a. Bilið á milli veggisins og miðju snerilífjörðarinnar skal vera að lágmarki 6,4 cm.
- b. Bilið á milli loftsins og miðju snerilífjörðarinnar skal vera að lágmarki 7,6 cm.
- c. Bilið á milli hlíðarveggjarins (eða hindrunar) og enda snerilífjörðarinnar skal vera að lágmarki 21,6 cm.
- d. Snerilífjörðin verður að ná að minnsta kosti 3,81 cm fram yfir leguna. Slíkt er þó breytilegt eftir því hvernig uppsetningunni er háttað.
- e. Rafmagninnstunga þarf að vera innan 1,83 m frá uppsetningarsvæðinu. Hafíð samband við löggiltan rafvirkja ef innstunga er ekki til staðar.

## 4 Undirbúningur fyrir notkun MyQ

Þessi tæki má stjórna með MyQ – setja þarf upp ljósnema. Notið MyQ-forritið til að fylgjast með og stjórna bílskúrshurðinni hvar sem er.

ÁÐUR EN HAFIST ER HANDA:

- Wi-Fi tengdan snjallsíma, spjaldtölvu eða fartölvu
- Nettengingu um breiðband
- Wi-Fi-merki í bílskúrnum (2,4 Ghz, 802.11b/g/n áskilið)
- Aðgangsorð fyrir heimanetið (fyrir aðalreikning beininsis, ekki gestareikning)

PRÓFIÐ STYRKLEIKA WI-FI-MERKISINS

Gætið þess að fartækið sé tengt við Wi-Fi-netið. Haldið fartækinu á þeim stað sem bílskúrshurðaropnarinn verður settur upp á og athugið styrkleika Wi-Fi-merkisins þar.

**Wi-Fi-merkið er öflugt.**

Bílskúrshurðaropnarinn mun ná tengingu við Wi-Fi-netið.

**Wi-Fi-merkið er veikt.**

Bílskúrshurðaropnarinn gæti tengst við Wi-Fi-netið. Ef það tekst ekki skal prófa einn af valkostunum hér að neðan til að styrkja Wi-Fi-merkið:

**Ekkert Wi-Fi-merki.**

Bílskúrshurðaropnarinn getur ekki tengst við Wi-Fi-netið. Veldu einn af valkostunum hér að neðan til að auka styrk Wi-Fi-merkisins.

- Færðu beininn nær bílskúrshurðaropnanum til að
- draga úr truflunum sem verða vegna veggja og annarra hluta
- Festið kaup á tæki sem stækkar Wi-Fi-sendisviðið

## 5 Bílskúrshurðin undirbúin



VARÚÐ: Hafið ÁVALLT samband við fagaðila í hurðarkerfum ef bílskúrshurð festist, tollir illa eða er óstöðug. Óstöðug bílskúrshurð getur hugsanlega EKKI opnast aftur þegar þess er þörf. Reynið ALDREI að losa um, færa né stilla bílskúrshurð, hurðargorma, lyftivíra, trissur, festingar né annan vélbúnað. Slíkir hlutar eru ALLIR mjög STREKKTIR. Gerið ALLA lása óvirka og fjarlægjið ÖLL reipi sem eru bundin við bílskúrshurðina ÁÐUR en uppsetning og notkun á bílskúrshurðaopnararum fer fram til að koma í veg fyrir hættuna á að flækjast. Þetta opunarkerfi er búið fjarstýringareiginleika. Hurðin gæti hreyfst óvænt. ALDREI SKAL GANGA UNDIR HURÐ SEM HREYFIST.

ÁÐUR EN HAFIST ER HANDA:

- Gerið lása óvirka.
- Fjarlægjið reipi sem fest eru við bílskúrshurðina.

Framkvæmið eftirfarandi prófun til að ganga úr skugga um að bílskúrshurðin sé stöðug og sé ekki föst né tolli illa:

- Lyftið hurðinni hálfra leið. Sleppið takinu af hurðinni. Gormarnir ættu að halda hurðinni á sínum stað ef hún er stöðug.
- Hækkið og lækkið hurðina til að athuga hvort hún sé föst eða tolli illa.
- Hurðir sem eru þyngri en 130 kg eiga EKKI opnast eða lokast hratt.

Hafið samband við fagaðila í hurðarkerfum ef hurðin festist eða tollir illa.

## 6 Nauðsynleg verkfæri

Við samsetningu, uppsetningu og stillingu á bílskúrshurðinni verður að nota verkfærin sem sýnd eru hér á eftir samkvæmt leiðbeiningunum.

- |               |                                       |
|---------------|---------------------------------------|
| 1. Stigi      | 7. Skrúfjárn                          |
| 2. Bor        | 8. Hallamál                           |
| 3. MÁLBAND    | 9. Klauffhamar                        |
| 4. Virklippur | 10. Toppar og skrall með framlengingu |
| 5. Töng       | 11. Skiptilykill                      |
| 6. Borar      | 12. Blyantur                          |

## 7 Innihald kassans

Skoðið innihald kassans og aðgætið hvort eitthvað vanti.

BÍLSKÚRSHURÐAOPNARI		POKI MEÐ JÁRNVÖRUM	
1. Bílskúrshurðaopnari, LM3800W	1x	11. 15 mm skrúfa	2x
2. Sjálfvirk læsing fyrir bílskúrshurð, 841EU	1x	12. 54,8 mm skrúfa	4x
3. Festing	1x	13. HANDFANG	1x
4. Kragi með stilliskrúfum	1x	14. REIPI	1x
5. Öryggismerkingar	1x	15. 15 mm skrúfa	2x
6. Fjarstýring með fjórum hnöppum, TX4EVF	2x	16. 36,8 MM HOLRÚMSTAPPI (SKRÚ-FADUR)	4x
7. LED-ljós MyQ-fjarstýringar, 827EV	1x	17. 22 mm skrúfa	2x
8. Handvirkt			
FESTINGAR FYRIR SJÁLFBIRKT LJÓS			
9. 42 mm holrúmstappi (skrúfaður)	2x		
10. Skrúfa 27,85 mm	2x		

## 8 Áskildir aukahlutir

Greiningarbúnaður fyrir vírstrekkingu, 041A9264.

Innrauðir ljósnemar (fyrir notkun á MyQ: - 771EV eða - 772E eða - 771EVK eða - G770E).

## 9 Festið kragann við bílskúrshurðaoþnarann

*Ekki nota bílskúrshurðaoþnarann nema leiðbeiningarnar kveði á um slíkt til að koma í veg fyrir vandamál við uppsetningu.*

Bílskúrshurðaoþnarann má koma fyrir vinstra eða hægra megin við hurðina (sjá hlutanum um undirbúning). Skýringarmyndirnar fyrir uppsetningu er að finna á meðfylgjandi blaði.

1. Losið um stilliskrúfur.
2. Festið kraga við drifskaftr bílskúrshurðaoþnarans. Setjið hliðina á kraganum þar sem stærra opið er fyrir á drifskaftrinu.
3. Gætið þess að renna kraganum alla leið niður á drifskaftrið þar til fyrirstaða finnst.
4. Staðsetjið kragann þannig að skrúfurnar snúi út á við og hægt sé að komast að þeim þegar þær eru festar við snerilljóðrina.
5. Herðið þaðar stilliskrúfurnar með ferhyrnu hausunum sem eru næst drifskaftrinu 1/4 – 1/2 hring eftir að þær snerta drifskaftrið.

## 10 Festingin skrófuð við bílskúrshurðaoþnarann



1. Notið skrófurnar sem fylgja til að skrófa rákuðu hlið festingarinnar laust við sömu hlið bílskúrshurðaoþnarans og kraginn.

**ATHUGIÐ:** Herðið ekki skrófurnar fyrr en slíkt kemur fram í leiðbeiningunum.

## 11 Bílskúrshurðaoþnarinn staðsettur og festur



Nota SKAL sérstaka tappa fyrir steinsteypu ef festingunni er komið fyrir í múrverki. Reynið ALDREI að losa um, færa né stilla bílskúrshurð, hurðargorma, lyftivira, trissur, festingar né annan vélbúnað. Slíkir hlutar eru ALLIR mjög STREKKTIR. Kallið AVALLT til fagaðila í hurðakerfum/sérfræðing ef bílskúrshurð festist, tollir illa eða er óstöðug. Óstöðug bílskúrshurð getur hugsanlega EKKI opnast aftur þegar þess er þörf. Koma SKAL bílskúrshurðaoþnarann fyrir í réttu horni miðað við snerilljóðrina til að koma í veg fyrir ótímabært slit á kraganum. Takið mið af aðstæðum á hverjum stað.

**ATHUGIÐ:** For additional mounting options refer to the accessories page.

1. Lokið bílskúrshurðinni afgang.
2. Rennið bílskúrshurðaoþnarann á enda snerilljóðrarinnar. Hugsanlega þarf að saga snerilljóðrina til ef hún er of löng eða skemmdir eru á henni. Gætið þess að kraginn snerti EKKI leguna.
3. Notið hallamál til að setja bílskúrshurðaoþnarann í stöðu og stilla hann af lóðrétt. Gangið úr skugga um að festingin liggi á gegnheilu yfirborði eins og timbri, steinsteypu eða hurðar-/flaggfestingu. Festinguna SKAL reka fasta með nagla ef hún er fest við gífsveg.
4. Merkið fyrir götum festingarinnar þegar búið er að stilla af bílskúrshurðaoþnarann. Herðið skrófurnar á kraga snerilljóðrarinnar ef þörf krefur til að bílskúrshurðaoþnarinn haldist á sínum stað á meðan merkt er fyrir götunum. **ATHUGIÐ:** Bílskúrshurðaoþnarinn þarf ekki að vera í flútti við vegginn.
5. Takið bílskúrshurðaoþnarann af snerilljóðrinni. Borið fyrst lítil 5 mm göt á merktu stöðunum. Borið í gegnum málmbrautirnar á hurðinni ef þörf krefur.
6. Rennið bílskúrshurðaoþnarann aftur á snerilljóðrina þar til litlu götin eru í flútti við festinguna.
7. Herðið þaðar stilliskrúfurnar með ferhyrnu hausunum á snerilljóðrinni. Þegar notuð er gegnheil snerilljóður skal herða skrófurnar 1/4 úr hring og ekki meira en sem nemur 1/2 hring eftir að þær snerta ljóðrina. EKKI herða skrófurnar í kilana þegar fest er í snerilljóður með kilsporun.
8. Skrófið festinguna á vegginn og bílskúrshurðaoþnarann. Notið skrófurnar (12) til að skrófa festinguna fasta við vegginn.

## 12 Neyðaropunarreiði og -handfangið sett upp



Notið neyðaropunarhandfangið EINGÖNGU til að gera hurðina óvirka þegar bílskúrshurðin er LOKUÐ, þegar því er við komið. Veikir eða brotnir gormar eða óstöðugar hurðir geta leitt til þess að opin hurð falli hratt og/eda óvænt niður. Notið ALDREI neyðaropunarhandfangið þegar fólk eða hindranir eru í bílskúrsdyrunum.

1. Smeygið einum enda neyðaropunarreipisins í gegnum handfangið. Gætið þess að merkið „VIÐVÖRUN“ snúi upp. Bindið rembihnút sem er a.m.k. 2,5 cm frá enda reipisins til að það renni ekki til.
2. Stingið hinum enda neyðaropunarreipisins í gegnum opið á losnarammi trissunnar. Festið neyðaropunina með rembihnút í seilingarfjarlægð en gætið þess að hún sé a.m.k. 1,83 cm fyrir ofan gólflið til að hún snerti ekki ökutæki og verð óvænt virk.

**ATHUGIÐ:** Ef skera þarf reipið til skal loka fyrir skoma endann með eldspýtu eða kveikjara til að koma í veg fyrir að reipið trosni.



## 13 Sjálfvirk hurðalæsing sett upp

Sjálfvirka hurðalæsingin (gerð 841EU) kemur í veg fyrir að hurðin sé opnuð handvirkt þegar henni hefur verið lokað alveg.

**ATHUGIÐ:** Eldri gerðir af 24 V hurðalæsingum eru ekki samhæfar.

1. Lásnum skal koma fyrir innan 3,05 m frá hurðaopnaránam. Festið hann á sömu hlið og hurðaopnarann, ef því er við komið.
2. Gætið þess að brautirnar séu hreinar og festið sniðmát lássins á listann þannig að opnið fyrir boltann sé u.þ.b. 7,6 cm frá miðju kefli hurðarinnar.
3. Borið í holumnar eins og þær eru merktar á sniðmátið.
4. Festið sjálfvirku hurðarlæsinguna utan á hurðarbrautina með festingunum sem fylgdu með henni.
5. Þræðið rafmagnsvir upp vegginn að hurðaropnaránam. Notið einangraðar virlykkjur (valfrjalst) til að festa virinn á nokkrum stöðum. Þræðið virinn í gegnum botninn á hurðaropnaránam.
6. Stingið tenginu í samband við aðra hvora klóna á hurðaropnaránam. Hægt er að setja upp aukahurðarlæsinguna (841EU) á hinni hlið hurðarinnar með því að fylgja leiðbeiningunum hér á undan.

### PRÓFUN Á SJÁLFVIRKRI HURÐARLÆSINGU

1. Þegar hurðin er alveg lokað ætti lásbolti sjálfvirku hurðarinnar (B) að skaga út í gegnum brautina.
2. Opnið hurðina. Sjálfvirka hurðarlæsingin (A) ætti að dragast inn áður en hurðin hreyfist.
3. Lokið hurðinni. Þegar hurðin er alveg lokað ætti sjálfvirka hurðarlæsingin að læsa hurðinni.

**ATHUGIÐ:** Ef sjálfvirka hurðarlæsingin virkar ekki er hægt að losa hurðina handvirkt með því að renna neyðarlosunarhandfanginu (C) í opna stöðu.

## 14 Koma verður fyrir greiningarbúnaði fyrir vírstrekkingu (041A9264) (áskilinn aukabúnaður)

Greiningarbúnaður fyrir vírstrekkingu PARF að vera tengdur og settur upp á réttan hátt áður en bílskúrshurðaopnarinn færir hurðina niður á við. Greiningarbúnaður fyrir vírstrekkingu greinir ALLAN slaka á lyftivírum og lokar hurðinni, því er óþarfi að hringja á viðhaldsmann. Uppsetning greiningarbúnaðar fyrir vírstrekkingu er áskilinn samkvæmt EN12453.

**ATHUGIÐ:** Greiningarbúnaður fyrir vírstrekkingu er afhentur til uppsetningar vinstra megin við hurðina. Þegar búnaðurinn er settur hægra megin skal fjarlægja smellihringinn sem heldur keflinu á sinum stað og setja hann aftur saman hinum megin á greiningarbúnaðinum fyrir vírstrekkingu.

1. Gætið þess að hurðarvirinn sé u.þ.b. 19 mm frá yfirborði festingarinnar. Hugsanlega verður að stilla hurðina eða koma fyrir millileggjum til að ná réttir dýpt á hurðarvirnum.
2. Komið greiningarbúnaðinum fyrir vírstrekkingu þannig fyrir að rúllan sé 5–15 cm frá keflinu og nái 3–6 mm fram yfir virinn. Gætið þess að greiningarbúnaðinum fyrir vírstrekkingu sé komið fyrir á stuðningsklossa úr timbri og rúllan hreyfist hindrunarlaust.

**ATHUGIÐ:** Engar hindranir skulu vera til staðar á uppsetningarstað sem koma í veg fyrir að greiningarbúnaðurinn fyrir vírstrekkingu nái að loka hurðinni alveg þegar slaki greinist.

3. Merkið fyrir og borið litlar 5 mm holur fyrir skrúfur (ekki þarf að bora fyrir toppum).
4. Festið greiningarbúnaðinn fyrir vírstrekkingu við vegginn með festingunum sem fylgja. Gætið þess að rúllan sé efst á lyftivírum.
5. Þræðið rafmagnsvir að hurðaropnaránam. Notið einangraðar virlykkjur til að festa virinn.
6. Tengjið rafmagnsvirinn við grænu hraðtenging (10 + 11) á hurðaropnaránam (rétt skaut skipta ekki höfuðmáli).

**ATHUGIÐ:** Lyftivirinn skal vera strekktur í gegnum allan hreyfiferil hurðarinnar. Gætið þess að enginn slaki sé á lyftivírum hinum megin á hurðinni við venjulega notkun. Stillið lyftivirana eftir þörfum ef slaki er á þeim þegar hurðin er hreyfð.

Þegar tvær greiningarbúnaðareiningar eru settar upp færist hurðin hvorki upp né niður ef annar hvor greiningarbúnaðurinn greinir slaka eða hann er aftengdur.

### PRÓFUN Á GREININGARBÚNAÐI FYRIR VÍRSTREKkingU

1. Ýtið framan á greiningarbúnaði fyrir vírstrekkingu þegar hurðin er alveg lokað. Smellur ætti að heyrast. Ef enginn smellur heyrast rekest rúllan hugsanlega í dyrastafinn og rofinn getur því ekki greint slaka á lyftivírum. Tryggið að greiningarbúnaður fyrir vírstrekkingu flútti við vegginn og rúllan hreyfist hindrunarlaust.

1k viðnámið er aðeins til að bilanagreina uppsetningu CTM. Samkvæmt EN 12453 þarf að setja upp skynjara fyrir spennu á rafmagnssnúrunni til að hægt sé að greina ef hún slaknar.

Þegar greiningarbúnaðurinn fyrir vírstrekkingu er virkur blikka UPP- og NIÐUR-örvamar greiningarkóða 3-5 eða.

## 15 Uppsetning á LED-ljósi MyQ-fjarstýringar (aðeins fyrir þurr svæði)

LED-ljósi MyQ-fjarstýringarinnar má stinga beint í samband við hefðbundna 230V innstungu. Veljið viðeigandi staðsetningu í loftinu eða á veggnum og festið ljósið í innan við 1,83 m fjarlægð frá rafmagnsinnstungu til að snúran og ljósið verði ekki fyrir hlutum á hreyfingu. Setja verður upp LED-ljós MyQ-fjarstýringarinnar til að hægt sé að nota MyQ og TTC-tímalokun.

**ATHUGIÐ:** Þegar ljós eru fest á gífsveggi og enginn loftbíti er til staðar skal nota festitappa fyrir gífsveggi sem fylgja með. Ekki er þörf á að bora undirbúningsgöt fyrir festitappa fyrir gífsveggi.

1. Borið fyrst lítil göt með 15,6 cm millibili ef fest er við loftbita.  
EÐA  
skrúfið í festitappa með 15,6 cm millibili ef fest er við gífsvegg.
2. Mælið hversu langa rafmagnssnúru þarf til að ná til næstu innstungu. Veljið snúrinni um snúrugrófina efst á ljósasætinu. Þræðið snúrana um brautina þannig að ljósið sé í flútti.
3. Opnið linsuna á ljósinu.
4. Festið ljósið með skrúfunum sem fylgja með (9+10).
5. Lokið linsunni á ljósinu.
6. Stingið ljósinu í samband.

**ATHUGIÐ:** LED-ljósið lýsir mjög skært. Horfið **EKKI** beint í ljósið á meðan unnið er í stiga.

Fjarstyrá ljósið á bílskúrshurðaoþparanum hefur þegar verið forritað í verksmiðjunni til notkunar með hurðaoþparanum.

Forrita verður fjarstýringarljós á ný ef ljósum er bætt við eða þegar skipt er um ljós.

## 16 Raftengingar



Til að koma í veg fyrir meiðsli og skemmdir á tækinu skal einungis nota hurðaoþparann þegar skýr fyrir mæli eru gefin um slíkt í þessari handbók. Ávallt skal tryggja gott aðgengi að rafmagnsklónni til að hægt sé að taka rafmagnið úr sambandi. Aðeins löggiltur rafvirki hefur heimild til að setja upp raftengingar.

## 17 Uppsetning á ljósnemum

### MIKILVÆGAR UPPLÝSINGAR UM INNRAUÐA LJÓSNEMA

Uppsetningarleiðbeiningar fylgja með innrauðu ljósnemum og þeim skal fylgja í hvívetna. Ljósnemarnir sjá til þess að hurðin haldist opin þegar fólk er í dyraopinu, sér í lagi börn. Þegar innrauði ljósneminn er rétt tengdur og stilltur greinir hann hindranir á vegi rafgeislans sem hann sendir frá sér. Sendiskynjarinn sendir ósýnilegan ljósgeisla yfir í viðtökuskynjarann. Ef hindrun rýfur ljósgeislann þegar hurðin er að lokast staðnæmist hurðin og opnast síðan alveg og ljósin á oþparanum blikka 10 sinnum.

Komið sendi- og viðtökuskynjurunum fyrir í bílskúrnun þannig að þeir snúi andspænis hvor öðrum þvert yfir hurðina, ekki meira en sem nemur 10 cm frá gölfinu, til að hægt sé að nota MyQ eða TTC-tímalokun. Skynjurunum má koma fyrir hægra eða vinstra megin við hurðina, ef þess er gætt að sólskin nái aldrei að skína beint inn í linsuna á viðtökuskynjaranum. Engar hindranir mega vera á vegi ósýnilega ljósgeislans. Enginn hluti bílskúrshurðarinnar (hurðabrautir, gormar, lamir, kefli eða annar járnþúnaður) má vera í vegi ljósgeislans á meðan hurðin lokast.

**ATHUGIÐ:** *Lifmaster mælir með því að setja upp innrauða ljósnema við hverja uppsetningu. Setja verður upp innrauða ljósnema til að nota MyQ eða TTC-tímalokun*

### TENGIÐ RAFMAGNSVÍR VIÐ INNRAUÐU LJÓSNEMANA

1. Þræðið virinn frá báðum skynjurunum í bílskúrshurðaoþparann. Hefið virinn við vegginn og loftið.
2. Skeiði 11 mm af einangruninni á báðum virunum. Skiljið vírana að. Snúið hvítu virunum saman. Snúið hvítu virunum saman.
3. Stingið hvítu virunum inn í hvíta tengið á bílskúrshurðaoþparanum. Stingið hvítu/svörtu virunum inn í gráa tengið á bílskúrshurðaoþparanum. Ýtið á flípann á tenginu með skrúfarni til að stinga virum inn eða taka þá út úr tenginu.

### GÆTIÐ ÞESS AÐ INNRAUÐU LJÓSNEMARNIR SÉU RÉTT STILLTIR

Hurðin lokast ekki ef skynjarar eru ekki settir upp og stilltir á réttan hátt.

Þegar ljósgeislinn er hindraður eða beint á rangan stað á meðan hurðin er að lokast opnast hurðin á ný og ljós bílskúrshurðaoþparans blikka tíu sinnum. Hurðin lokast ekki ef hún er þegar opin. Stilla má skynjarana með því að losa um vængjarónar, færa skynjarana til og herða síðan vængjarónar á ný.

1. Gætið þess að LED-ljósin í báðum skynjurunum logi stöðugt. LED-ljósin í báðum skynjurunum loga stöðugt ef þeir eru stilltir og tengdir á réttan hátt

## PRÓFIÐ INNRAUÐA LJÓSNEMANN

1. Opnið hurðina. Setjið hindrun fyrir hurðina.
2. Ýtið á hnappinn á fjarstýringunni til að loka hurðinni. Hurðin hreyfist ekki meira en sem nemur 2,5 cm og ljósin á bílskúrshurðaoþopnarinum blikka 10 sinnum.

Bílskúrshurðaoþopnarinn lokast ekki með fjarstýringu þegar slökkt er á LED-ljósunum í öðrum hvorum innrauða ljósnemanum (en slíkt þýðir að skynjarinn er rangt stilltur eða hindrun er í vegi hans). *Ef bílskúrshurðaoþopnarinn lokar hurðinni þegar hindrun er á vegi innrauðu ljósnemanna (og skynjararnir eru ekki meira en sem nemur 10 cm frá gólfinu) skal kalla til sérfræðing í hurðarkerfum.*

## 18 Rafmagni hleypt á

Ekki nota bílskúrshurðaoþopnarann að svo stöddu til að koma í veg fyrir vandamál við uppsetningu. Rafmagnskló bílskúrshurðaoþopnarans er jarðtengd til að draga úr hættunni á raflosti. Þessi rafmagnskló passar eingöngu í jarðtengda innstungu. Kallið til loggiltan rafvirkja ef rafmagnsklóin passar ekki í rafmagnsinnstunguna sem er til staðar.

Aðeins einn kostur er í boði til að tengja rafmagnið:

### DÆMIGERÐAR RAFTENGINGAR

Stíngið bílskúrshurðaoþopnarinum í samband við jarðtengda innstungu.

## 19 Aukarafhlöðu komið fyrir (aukabúnaður)



Gerið eftirfarandi til að draga úr ELDHÆTTU eða hættu á MEIÐSLUM. Aftengið ALLT rafmagn og rafhlöðuna ÁÐUR en unnið er við viðhald eða viðgerðir AF NOKKRU TAGI. Notið EINGÖNGU LiftMaster 485EU-rafhlöður. Rafhlöðunni MÁ EKKI farga með brennslu. Rafhlaðan getur sprungið. Fargið henni samkvæmt gildandi reglum.

Þegar keyrt er á aukarafhlöðu er slökkt á MyQ-stjórnun úr farsíma og þráðlausum MyQ-tækjum. Þegar keyrt er á aukarafhlöðu fer sjálfvirka bílskúrshurðalæsingin úr lás þegar bílskúrshurðin er opnuð og verður áfram óvirk þar til rafmagn kemst aftur á.

1. Takið bílskúrshurðaoþopnarinn úr sambandi.
2. Notið sknúfjárn til að fjarlægja rafhlöðuhlífina á bílskúrshurðaoþopnarinum.
3. Setjið rafhlöðuna að hálfu leyti í rafhlöðuhólfíð og látið rafskautin snúa út.
4. Tengjið rauðu (+) og svörtu (-) vírana úr bílskúrshurðaoþopnarinum í samsvarandi rafskaut á rafhlöðunni.
5. Setjið rafgeymishlífina aftur á sinn stað.
6. Stíngið bílskúrshurðaoþopnarinum í samband

## LED-LJÓS FYRIR HLEDGLUSTÖÐU RAFHLÖÐU (B)

### GRÆNT LED-LJÓS:

Öll kerfi starfa á eðlilegan hátt.

- Þegar rafhlaðan er fullhlaðin logar LED-ljósið í grænum lit.
- Þegar verið er að hlaða rafhlöðuna blikkar LED-ljósið í grænum lit.

### APPELSÍNUGULT LED-LJÓS:

Bílskúrshurðaoþopnarinn er rafmagnslaus og keyrir á aukarafhlöðunni.

- Þegar appelsínugult LED-ljós logar stöðugt og einnig heyrist hljóðmerki á u.þ.b. 2 sekúndna fresti merkir slíkt að bílskúrshurðaoþopnarinn keyrir á rafhlöðu.
- Appelsínugult LED-ljós sem blikkar ásamt hljóðmerki sem heyrst á 30 sekúndna fresti merkir að rafhlaðan er að tæmast

### RAUTT LJÓS:

Þörf er á að skipta um 12V rafhlöðuna í bílskúrshurðaoþopnarinum.

- Þegar rautt LED-ljós logar ásamt hljóðmerki sem heyrst á 30 sekúndna fresti hefur 12V rafhlaðan tæmast og þörf er á að skipta um hana. Skiptið um aukarafhlöðuna til að sá eiginleiki verði áfram til staðar.

**ATHUGIÐ:** Rafhlaðan þarf ekki að vera fullhlaðin til að hægt sé að nota bílskúrshurðaoþopnarann.

## 20 Forritun á ferli hurðar



Röng stilling á ferli hurðarinnar kemur í veg fyrir að öryggisopnunarkerfið starfi á réttan hátt. Prófa SKAL öryggisopnunarkerfið þegar ÖLLUM stillingum er lokið. Hurðin SKAL opnast aftur þegar hún snertir 40 mm hlut á gólfinu. Gætið þess að hurðin lyftist nógu hátt og bilið sé fullnægjandi til að valda ekki skemmdum á ökutækjum.

Takmarkanir á ferli hurðarinnar ákvarða hvenær hurðin stöðvast þegar hún fer upp eða niður. Hægt er að nota UPP- og NIÐUR-hnappana til að færa hurðina eftir þörfum á meðan hún er forrituð.

1. Haldið stillihnappinum inni (A) þar til UPP-hnappurinn (U) blikkar og/eða hjóðmerki heyrst.
2. Haldið UPP-hnappinum inni (U) þar til hurðin er í æskilegri EFRI stöðu.
3. Þegar hurðin er komin í æskilega EFRI stöðu skal ýta á og sleppa stillihnappinum (A). Ljósín á bílskúrshurðaoþnaranum blikka tvisvar og NIÐUR-hnappurinn (D) blikkar.
4. Haldið NIÐUR-hnappinum inni (U) þar til hurðin er í æskilegri NEDRI stöðu.
5. Þegar hurðin er komin í æskilega NEDRI stöðu skal ýta á og sleppa stillihnappinum (A). Ljósín á bílskúrshurðaoþnaranum blikka tvisvar og UPP-hnappurinn (U) blikkar.
6. Ýtið á UPP-hnappinn (U) og sleppið honum svo. Þegar hurðin færst í forritaða EFRI stöðu blikkar NIÐUR-hnappurinn (D).
7. Ýtið á NIÐUR-hnappinn (D) og sleppið honum svo. Hurðin fer í forritaða NEDRI stöðu. Forrituninni er lokið.

Ef ljósín á bílskúrshurðaoþnaranum blikka fimm sinnum á meðan forritun á ferli hurðar stendur hefur forritunin runnið út. Ljósíði á bílskúrshurðaoþnaranum blikkar fimm sinnum ef greiningarbúnaðurinn fyrir vírstrekkingu er ekki settur upp eða ef hann skynjar of mikinn slaka á lyftivímum. Gætið þess að greiningarbúnaðurinn fyrir vírstrekkingu sé rétt upp settur og fylgið síðan þrepunum til að forrita feril hurðarinnar. Innrauðu ljósnemarnir eru ekki rétt stilltir eða hindrun er á vegi þeirra ef ljósín á bílskúrshurðaoþnaranum blikka tíu sinnum á meðan forritun á ferli hurðarinnar stendur. Þegar skynjararnir eru rétt settir upp og engin hindrun er á vegi þeirra skal nota fjarstýringuna eða UPP- og NIÐUR-hnappana og láta hurðina fara heilan feril upp og niður. Forrituninni er lokið. Endurtakið þrepin til að forrita feril hurðarinnar ef ekki er hægt að færa hurðina upp né niður.

## 21 Prófið öryggisopnunarkerfið



Rangt upp sett öryggisopnunarkerfi getur valdið ALVARLEGUM MEIBSLUM eða DAUÐA (sérstaklega þegar um er að ræða börn) þegar bílskúrshurðin lokast. Prófa SKAL öryggisopnunarkerfið á mánaðarfresti. Prófa SKAL öryggisopnunarkerfið þegar ÖLLUM stillingum er lokið. Hurðin SKAL að fara upp aftur þegar hún snertir 40 mm háan hlut á gólfinu.

### PRÓFUN

1. Opnið hurðina alveg og komið fyrir 40 mm plötu á gólfinu fyrir miðju hurðarinnar.
2. Ýtið á hnappinn á fjarstýringunni til að loka hurðinni. Hurðin SKAL fara upp aftur þegar hún kemst í snertingu við plötuna.

### STILLING

Ef hurðin stöðvast en fer ekki upp aftur:

1. Farið aftur yfir uppsetningarleiðbeiningarnar og gætið þess að öllum þrepunum hafi verið fylgt.
2. Endurtakið hlutann fyrir forritun hurðarferils (sjá stillingarþrep 1, atriði 20).
3. Endurtakið hlutann varðandi öryggisopnunarkerfið.

Kallið á sérfræðing í hurðarkerfum ef hurðin stenst ekki prófið.

### MIKILVÆG ÖRYGGISPRÓFUN:

Gerð prófun á öryggisopnunarkerfinu þegar eftirfarandi er lokið:

- Eftir að bil eru stillt.
- Viðgerðir eða stillingar á hurðinni (þ.m.t. gormum og festingum).
- Viðgerðir eða breytingar á yfirborði gólfplatar.
- Viðgerðir eða stillingar á bílskúrshurðaoþnaranum.

## 22 Hurðin opnuð handvirk



Notið neyðaropunarhandfangið EINGÖNGU til að gera hurðina óvirka þegar bílskúrhurðin er LOKUÐ, þegar því er við komið. Veikir eða brotnir gormar eða óstöðugar hurðir geta leitt til þess að opin hurð falli hratt og/eða óvænt niður. Notið ALDREI neyðaropunarhandfangið þegar fólk eða hindranir eru í dyrgætt bílskúrsins.

Áður en haldið er áfram skal taka alla lása hurðarinnar úr lás. Hurðin skal vera alveg lokuð þegar því er við komið. Togið í neyðaropunarhandfangið þar til smellur heyrst frá hurðaropnarann og lyftið hurðinni handvirk. Þegar tengja á hurðina aftur við hurðaropnarann skal toga neyðaropunarhandfangið beint niður á við þar til smellur heyrst öðru sinni frá hurðaropnarann. Hurðin tengist aftur næst þegar hún fer UPP eða NIÐUR.

### PRÓFIÐ NEYÐAROPNUNINA

1. Gætið þess að hurðin sé lokuð.
2. Togið í neyðaropunarhandfangið. Nú ætti að vera hægt að opna hurðina handvirk.
3. Lokið hurðinni á ný.
4. Togið aftur í neyðaropunarhandfangið.
5. Tengjið hurðina aftur við hurðaropnarann.

## 23 Notkun á bílskúrhurðaropnarannum

### EIGINLEIKAR

Nokkrar stillingar á bílskúrhurðaropnarannum auðvelda stjórnun á bílskúrhurðinni

### VIÐVÖRUN UM LOKUN

Viðvörðun um lokun birtir sýnilega viðvörðun þegar hurð er lokað án eftirlits.

### TÍMAMÆLIR LOKUNAR (TTC)

Tímamælir lokunar lokar hurðinni sjálfkrafa að tilteknum tíma liðnum, en tímann má stilla með hurðarstýringu ásamt tímamæli lokunar (nota verður ljósnema af gerðum 771EV / 772E / 771EVK / G770E). Ljósinn á bílskúrhurðaropnarannum blikka áður en hurðinni er lokað og á meðan henni er lokað.

### VIRKJUN Á TÍMAMÆLI LOKUNAR:

1. Ýtið á og sleppið gula forritunarhnappinum (L) fjórum sinnum.
2. Kvikna skal á gula forritunar LED-ljósinu
3. Flettið í gegnum OFF (AF) í 1/5/10 mínútna þrepum með því að nota UPP- (U) og NIÐUR- (D) örvamar. Gula forritunar LED-ljósið skal blikka við valið. Til dæmis ef 5 mínútur eru valdar skal gula forritunar LED-ljósið blikka 5 sinnum til staðfestingar.
4. Ýtið á réttlyrnda stillihnappinn (A) til að vista stillinguna og loka forritunarstillingu tímamælis lokunar. Þegar virkjun er lokið á MyQ Fjarstýrða LED-ljósið blikkar EINU sinni til staðfestingar. Þegar stilling tímamælis lokunar er forrituð verður að yta á næsta hnapp innan 30 sekúndna að öðrum kosti rennur virkjun á tímamæli lokunar út. Ef tímamælir forritunar rennur út viðheldur tímamælir lokunar fyrri stillingum og fjarstýrða MyQ LED-ljósið blikkar FIMM sinnum.

Ýtið á og sleppið forritunarhnappinum (L) einu sinni til viðbótar til að loka forritunarstillingu á tímamæli lokunar sem ekki var lokið við.

### TÍMA FYRIR TÍMAMÆLI LOKUNAR BREYTT:

1. Ýtið á forritunarhnappinn (L) fjórum sinnum.
2. Flettið í gegnum OFF (AF) í 1/5/10 mínútna þrepum með því að nota UPP- (U) og NIÐUR- (D) örvamar. Gula forritunar LED-ljósið skal blikka við valið.
3. Ýtið á réttlyrnda stillihnappinn (A) til að vista stillinguna og loka forritunarstillingu tímamælis lokunar. Þegar virkjun er lokið blikkar fjarstýrða MyQ LED-ljósið EINU SINNI til staðfestingar.

### SLÓKKT Á TÍMAMÆLI LOKUNAR

1. Ýtið á gula forritunarhnappinn (L) fjórum sinnum.
2. Ýtið einu sinni enn á stillihnappinn til að vista stillinguna.
3. Þegar búið er að slökkva skal fjarstýrða MyQ LED-ljósið blikka EINU SINNI til staðfestingar. Endurræsa skal tímamæli lokunar ef kveikt er á honum, tímamælirinn er að telja niður og hindrun er á vegi innrauðu ljósnemana.

## MYQ

MyQ gerir það kleift að stjórna bílskúrshurðaoþnarum með snjallsíma eða tölvu hvar sem er. MyQ-tækin notar þráðlaust fjarskiptamerki til að koma á fót tvíálta samskiptum á milli bílskúrshurðaoþnarans og aukabúnaðar með MyQ uppsett. Bílskúrshurðaoþnarinn er með innbyggða gátt sem gerir honum kleift að hafa bein samskipti við Wi-Fi®-net og komast inn á viðkomandi MyQ-reikning.

## INNRAUÐIR LJÓSNEMAR

Þegar innrauðu ljósnemarnir eru rétt tengdir og stilltir greina þeir hindranir á vegi innrauða geislans sem þeir senda frá sér. Ef hindrun rýfur innrauða geislann þegar hurðin er að lokast staðnæmist hurðin og opnast síðan alveg og ljósin á opnarannum blikka 10 sinnum. Hurðin lokast ekki með fjarskýringu ef hurðin er opin og innrauðu ljósnemarnir eru rangt stilltir. Hins vegar er hægt að loka hurðinni ef hnappinn á hurðarstýringunni eða lykjalausrí opnun er haldið inni þar til hurðin lokast alveg. Innrauðu ljósnemarnir hafa ekki áhrif á opnun hurðarinnar.

## ORKUSPARNAÐUR

Bílskúrshurðaoþnarinn fer í hvíldarstillingu þegar hurðin er alveg lokuð til að spara orku. Hvíldarstillingin slekkur á bílskúrshurðaoþnarann þar til kveikt er á honum aftur. Hvíldarstillingin er samstillt við ljósið á bílskúrshurðaoþnarann; um leið og ljósið slokknar slokkna LED-ljós skynjarans og alltaf þegar kviknar á ljósum bílskúrshurðaoþnarans kviknar á LED-ljósum skynjarans. Bílskúrshurðaoþnarinn fer ekki í hvíldarstillingu fyrr en bílskúrshurðaoþnarinn hefur farið í gegnum fimm ferla við væsingu.

## LJÓS

The garage door opener light will turn on when the opener is initially plugged in; power is restored after interruption, or when the garage door opener is activated. The light will turn off automatically after 4-1/2 minutes.

## LIGHT FEATURE

Bílskúrshurðaoþnarinn er með einni stillingu til viðbótar; ljósin kvikna þegar einhver fer undir opna bílskúrshurðina og rýfur innrauða geislann. Setja þarf upp innrauða ljósnema af gerðum 771EV / 772E / 771EVK / G770E til að nota þessa stillingu.

## AUKARAFHLAÐA (AUKABÚNAÐUR)

Aukarafhlaðan býður upp á að hægt er að komast inn og út úr bílskúrnum, jafnvel þegar rafmagn fer af. Þegar bílskúrshurðaoþnarinn keyrir á rafhlöðunni gengur hann hægar, ekki kviknar á ljósinu, LED-ljósið sem sýnir rafhlöðuhleðslu lýsir stöðugt í gulum lit og hljóðmerki heyrast á u.þ.b. 2 sekúndna fresti.

## NOTKUN BÍLSKÚRSHURÐAOÐNARANS

Kveikja má á bílskúrshurðaoþnarann með veggfestri hurðarstýringu, fjarskýringu, þráðlausum og lykjalausum aðgangi eða MyQ-aukabúnaði. Þegar hurðaoþnarinn er notaður þráðlaust eða með veggfestum rofa:

- lokar hann hurðinni þegar hún er alveg opin
- opnar hann hurðina þegar hún er alveg lokuð
- stöðvar hann hurðina þegar hún er að opnast eða lokast
- hreyfir hann hurðina í gagnstæða átt við síðasta hurðarferli, ef hurðin er hálfopin.

Hurðin staðnæmist ef hún skynjar hindrun eða truflun við opnun. Hurðin opnast á ný ef bílskúrshurðaoþnarinn skynjar hindrun við lokun. Ef hindrunin truflar geisla skynjarans blikka ljós bílskúrshurðaoþnarans 10 sinnum. Hins vegar er hægt að loka hurðinni með því að halda inni hnappinn á hurðarstýringunni eða lykjalausrí opnun þar til hurðin lokast alveg. Innrauðu ljósnemarnir hafa ekki áhrif á opnun hurðarinnar.

## VIKJUN OG AFLESTUR AF TELJARA:

1. Takið bílskúrshurðaoþnarann úr sambandi til að opna þessa stillingu.
2. Ýtið samtímis á stillihnappinn (A) og forritunarhnappinn (L) og haldið þeim inni þegar stungið er aftur í samband.
3. LED-hnappurinn með „UPPÖR“ (U) blikkar EINU SINNI fyrir hverja þúsund LOKNA hurðarferla, svo lengi sem stillihnappinn (A) og forritunarhnappinn (L) er haldið inni á sama tíma.

Ef bílskúrshurðaoþnarinn hefur t.d. farið í gegnum 8756 hurðarferla á UPP-ljósið að blikka 8 sinnum.

Takið bílskúrshurðaoþnarann úr sambandi og byrjið upp á nýtt til að endurtaka álesturinn.

**Ljössenditæki (með 78EV):** Býður upp á forritun senditækis fyrir MyQ-fjarskýringuna með fjolnota veggstýringunni.

Gerð eftirfarandi til að forrita senditæki fyrir LED-ljós MyQ-fjarskýringarinnar:

1. Haldið LJÓSA- OG LÁSHNÖPPUNUM inni á sama tíma.
2. Haldið inni áðurnefndum hnöppum og haldið inni einum af hnöppunum á senditækinu þar til vinnuljós bílskúrshurðaoþnarans blikkar einu sinni.
3. Þegar vinnuljósið blikkar einu sinni á opnarannum skal sleppa öllum hnöppum.

**Fristilling** (krefst 78EV-veggstýringar). Þráðlausar fjarskýringar virka ekki þegar þessi stilling er virkjuð. Sjá leiðbeiningar fyrir 78EV.

**Keyless entry** (requires 747EV wireless keypad): Enter a 4 digit code of your choice to operate the door.

**Lykjalaus aðgangur** (krefst þráðlauss 747EV-lyklaborðs): Sláið inn fjögurra tölustafa kóða að eigin vali til að opna hurðina.

**Tímabundinn aðgangur** (krefst þráðlauss 747EV-lyklaborðs): Hægt er að forrita tímabundinn kóða til að opna fyrir tímabundinn aðgang að bílskúrnum (eftir fyrirfram ákveðnum tímatakmarkum eða fjölda opnana).

## 24 Tengst með snjallsíma

Wi-Fi®-bílskúrshurðaoþnarinn er samhæfur við allt að 16 gerðir af aukabúnaði með MyQ. Hægt er að para allt að 10 tæki við innbyggðu Wi-Fi-gátt bílskúrshurðaoþnarans. Þessum tækjum er stjórnað með MyQ-forritinu. Þessi tæki geta verið hvaða samsetning sem er af MyQ-bílskúrshurðaoþnum, Wi-Fi-bílskúrshurðaoþnum, MyQ-ljósum, MyQ-hliðopnum. Hægt er að bæta við netgátt frá LiftMaster (828EV) ef stjórna þarf fleiri en 10 tækjum með MyQ-forritinu. Hægt er að para allt að sex tæki við bílskúrshurðaoþnarann sjálfan (sem er stýrt af bílskúrshurðaoþnara). Slík tæki geta verið hvaða samsetning af MyQ-ljósum eða bílskúrshurðar- og hliðareftirlitskerfum.

### Eftirfarandi er krafist:

- Snjallsíma, spjaldtölvu eða fartölvu með Wi-Fi
- Nettengingu um breiðband
- Wi-Fi-merki í bílskúrnum (2,4 Ghz, 802.11b/g/n áskilið)
- Aðgangsorð fyrir heimanetið (fyrir aðalreikning beininsins, ekki gestareikning)
- MyQ-raðnúmerið sem er aftan á bílskúrshurðaoþnarinum
- Innrauða ljósneima (valfrjálst)
- LED-ljós MyQ-fjarstýringarinnar (eins og fylgir með)

### SAMSTILLIÐ HURÐARSTÝRINGUNA

Þegar samstilla á 78EV-hurðastýringuna við bílskúrshurðaoþnarann skal ýta á stikuna þar til bílskúrshurðaoþnarinn fer í gang (hugsanlega þarf að ýta allt að þrjár sinnum). Bílskúrshurðaoþnarinn þarf að fara í gegnum heilt ferli áður en hann ræsir Wi-Fi-forritunina.

### TENGIÐ BÍLSKÚRSHURÐAOPNARANN VIÐ WI-FI-HEIMANETIÐ

1. Ýtið þrjár sinnum á gula FORRITUNARHNAPPINN (L) á bílskúrshurðaoþnarinum. Bílskúrshurðaoþnarinn gefur frá sér eitt hljóðmerki. Að því loknu þarf að nettengja hann innan 20 mínútna.
2. Takið fram fartækið og opnið „Stillingar > Wi-Fi“ og veljið netið með „MyQ-“ forskeytinu.
3. Opnið vafrann í snjallsímanum eða spjaldtölvunni. Sláið inn setup.myqdevice.com í vefangastiku vafrans. Fylgið leiðbeiningunum á skjánum til að tengja bílskúrshurðaoþnarann við Wi-Fi-netið. MyQ-raðnúmerið birtist á skjánum. Skráið raðnúmerið í bílið fyrir neðan.

4. Hlaðið niður MyQ-forritinu í App Store® eða Google Play™. Skráið ykkur fyrir MyQ-reikningi og setjið MyQ-raðnúmerið inn á reikninginn.

Endurtakið þrep 1-3 þegar öðrum bílskúrshurðaoþnara er bætt við. Notið MyQ-forritið til að selja MyQ-raðnúmerið inn á reikninginn seinna meir. **ATHUGASEMDIR:** MyQ-snjallsímastýringin VIRKAR EKKI ef bílskúrshurðaoþnarinn keyrir á rafhlöðu. Upplýsingar um hvernig skal eyða stillingum fyrir Wi-Fi-netið eru á blaðsíðu 15.

LED-ljós (A) á bílskúrshurðaoþnarinum gefur til kynna stöðuna á Wi-Fi-netinu. Sjá neðangreinda töflu

LED-LJÓS	SKILGREINING
BLÁTT	Slökkt – ekki er kveikt á Wi-Fi-netinu. Blikkandi – bílskúrshurðaoþnarinn er í forritunarstillingu fyrir Wi-Fi-netið. Logar – fartækið er tengt við bílskúrshurðaoþnarann
BLÁTT OG GRÆNT	Blikkar – reynir að tengjast beininum.
GRÆNT	Blikkar – reynir að tengjast netþjóni. Logar – Wi-Fi-netið er uppsett og bílskúrshurðaoþnarinn er nú nettengdur.

## 25 Forritun opnara og fjarstýringar / þráðlauss þrýstihnapps/ / þráðlauss lyklaborðs (aukabúnaður)

Eingöngu skal ræsa opnarann þegar öll hurðin er í sjónlínu, engar hindranir eru til staðar og þegar hún er rétt stillt. Enginn skal fara inn í né út úr bílskúrnum á meðan hurðin er á hreyfingu. Leyfið ekki börnum að ýta á hnappana né handfjatlá fjarstýringuna. Leyfið ekki börnum að leika sér við hurðina. Móttakari bílskúrshurðaoþnaranans og einn af hnöppunum á fjarstýringunni eru þegar forritaðir. Ef keyptar eru fleiri fjarstýringar verður að forrita bílskúrshurðaoþnarann til að hann samþykki kóða nýju fjarstýringanna.

FORRITID MÓTTAKARANN TIL AÐ HANN TAKI VIÐ NÝJUM FJARSTÝRINGUM:  
NOTIÐ GULA, HRINGLAGA HNAPPINN

1. Ýtið á og sleppið gula, hringlaga hnappinum (L) á opnarannum. Gaumljós forritunarlogar stöðugt í 30 sekúndur.
2. Áður en 30 sekúndurnar líða hjá skal halda inni hnappinum á þráðlausu fjarstýringunni sem á að nota til að opna bílskúrshurðina.
3. Sleppið hnappinum þegar ljósið á opnarannum blikkar einu sinni. Nú er búið að forrita kóðann inn í opnarann. Nú fer opnarinn í gang þegar ýtt er á hnappinn á fjarstýringunni. Ef þrýstihnappinum á fjarstýringunni er sleppt áður en ljósið á opnarannum blikkar hefur kóðinn ekki verið forritaður í opnarann.

LYKLALOUS AÐGANGUR

1. Ýtið á og sleppið gula, hringlaga hnappinum (L) á opnarannum. Gaumljós forritunarlogar stöðugt í 30 sekúndur.
2. Sláið inn fjögurra stafa auðkennisnúmer (PIN) að eigin vali á þráðlausu lyklaborðið.
3. Ýtið síðan á ENTER-hnappinn.
4. Ljósín á bílskúrshurðaoþnarannum blikka (eða tveir smellir heyrast) þegar kóðinn hefur verið forritaður. Endurtakið þrepin hér á undan til að forrita fleiri fjarstýringar eða tæki fyrir lykklalasan aðgang. Forritið fjarstýringuna með forritunarhnappinum ef forritunin tekst ekki.

ÖLLUM KÓÐUM FJARSTÝRINGAR EYTT

Þegar gera á fjarstýringu óvirka skal fyrst eyða öllum kóðum: Ýtið á gula, hringlaga hnappinn á opnarannum og haldið inni þar til slokknar á gaumljósi forritunar (eftir u.þ.b. 10 sekúndur). Nú hefur öllum fyrri kóðum verið eytt. Forritið upp á nýtt allar fjarstýringar eða lykklalasan aðgang sem óskað er eftir.

## 26 LED-ljós MyQ-fjarstýringar forritað

Fjarstýrða ljósið á bílskúrshurðaoþnarannum er forritað í verksmiðju til notkunar með hurðaoþnarannum. Forrita verður fjarstýrð ljós á ný ef ljósum er bætt við eða þegar skipt er um ljós.

BÍLSKÚRSHURÐAOPNARI FORRITAÐUR FYRIR LED-LJÓS MYQ-FJARSTÝRINGAR:

1. Ýtið á FORRITUNARHNAPPINN (L) á ljósinu þar til græna LED-ljósið KVIKNAR.
2. Ýtið á FORRITUNARHNAPPINN (L) á hurðaoþnarannum.
3. Kóðinn hefur verið forritaður þegar fjarstýringarljósið blikkar einu sinni.

FJARSTÝRING FORRITUÐ FYRIR LED-LJÓS MYQ-FJARSTÝRINGAR

1. Ýtið á FORRITUNARHNAPPINN (L) á ljósinu þar til græna LED-ljósið KVIKNAR.
2. Ýtið á hnappinn á þráðlausu fjarstýringunni sem á að nota til að kveikja ljósið.
3. Kóðinn hefur verið forritaður þegar fjarstýringarljósið blikkar einu sinni.

Frekari upplýsingar um hvernig ljósið er forritað með öðrum aukabúnaði er að finna í handbókinni fyrir viðkomandi aukabúnað.

LED-LJÓS MYQ-FJARSTÝRINGAR BÆTT VIÐ MYQ-REIKNINGINN

1. Ýtið á FORRITUNARHNAPPINN (L) á ljósinu þar til græna LED-ljósið KVIKNAR.
2. Skráið ykkur inn á MyQ-forritið og bætið LED-ljósi MyQ-fjarstýringarinnar við.

ÖLLUM FORRITUÐUM STILLINGUM FYRIR LED-LJÓS MYQ-FJARSTÝRINGAR EYTT

1. Ýtið á FORRITUNARHNAPPINN (L) og haldið honum inni þar til slokknar á LED-ljósinu (eftir 6-10 sekúndur). Nú er öllum forrituðum stillingum eytt



## 27 Minninu eytt

### ÖLLUM FJARSTÝRINGUM OG LYKLALAUSUM AÐGANGI EYTT

1. Haldið inni FORRITUNARHNAPPINUM (L) á bílskúrshurðaoþnaranum þar til slökknar á LED-ljósinu fyrir forritun (eftir u.þ.b. 6 sekúndur). Nú hefur öllum aðgangskóðum fjarstýringa og lykjalauss aðgangs verið eytt. Forritið aftur þann aukabúnað sem á að nota.

### ÖLLUM TÆKJUM EYTT (Þ.M.T. AUKABÚNAÐI MEÐ MYQ)

2. Haldið inni FORRITUNARHNAPPINUM (L) á bílskúrshurðaoþnaranum þar til slökknar á LED-ljósinu fyrir forritun (eftir u.þ.b. 6 sekúndur).
3. Ýtið strax aftur á FORRITUNARHNAPPINN og haldið honum inni þar til slökknar á LED-ljósinu. Nú hefur öllum kóðum verið eytt. Forritið aftur þann aukabúnað sem á að nota.

### WI-FI-NETINU EYTT ÚR BÍLSKÚRSHURÐAOPNARANUM

1. Haldið inni svarta stillihnappinum (A) á bílskúrshurðaoþnaranum þar til þrjú hljóðmerki heyrast (eftir u.þ.b. 6 sekúndur).

### MYQ-REIKNINGNUM EYTT

Farið á [myliftmaster.eu](http://myliftmaster.eu) til að eyða MyQ-reikningnum.

## 28 Viðhald og umhirða á bílskúrshurðaropnaranum

### VIÐHALDSÁÆTLUN

#### MÁNAÐARLEGA

- Opnið og lokið hurðinni handvirkt. Kallið til fagaðila í hurðarkerfum ef hún er óstöðug eða festist.
- Gætið að hvort hurðin opnast og lokist alveg. Stíllíð ferlinn ef nauðsyn krefur (sjá atriði nr. 20, „Forritun hurðarferils“).
- Endurtakið prófunina á öryggisopnunarkerfinu. Gerið allar nauðsynlegar stillingar (sjá atriði nr. 21 „Öryggisopnunarkerfið prófað“).

#### ÁRLEGA

- Smyrjið kefli, legur og hjarir. Ekki þarf að smyrja bílskúrshurðaropnarann. Ekki smyrja hurðarbrautimar.

### LED-LJÓS MYQ-FJARSTÝRINGARINNAR

- Takið ljósið úr sambandi áður en það er þrifið.
- Notið rakan klút við þrifið.
- EKKI NOTA hreinsivökva á linsuna á ljósinu

## 29 Skipt um rafhlöðurnar í fjarstýringunni

### Rafhlöðurnar í fjarstýringunni:

Rafhlöðurnar í fjarstýringunni endast í mjög langan tíma. Skipta verður um rafhlöðurnar ef drægi minnkar. Rafhlöðurnar falla ekki undir ábyrgðina.

### Fylgið eftirfarandi leiðbeiningum varðandi rafhlöður:

Ekki skal meðhöndla rafhlöður eins og venjulegt heimilissorp. Allir neytendur eru skyldugir samkvæmt lögum að farga rafhlöðum á réttan hátt á tilgreindum endurvinnslustöðvum. Aldrei skal endurhlaða rafhlöður sem ekki eru hleðslurafhlöður.

### Sprengihætta!

Geymið rafhlöðurnar þar sem börn ná ekki til. Ekki skal valda skammhlaupi í rafhlöðunum né taka þær í sundur. Leiðið tafarlaust til læknis ef rafhlaða er gleyp. Ef nauðsyn krefur skal þrifa snerturnar á rafhlöðunni og tækjunum áður henni er stungið aftur í. Fjarlægjið umsvifalaust tómar rafhlöður úr tækinu!

### Annað eykur hættuna á að þau leki!

Hafið rafhlöður aldrei í miklum hita eins og sólskini, eldi eða því um líku!

Slíkt eykur hættuna á að þau leki!

Varist snertingu við húð, augu og slímhúð. Skolið líkamshluta sem verða fyrir rafgeymasýru með miklu magni af köldu vatni og leiðið umsvifalaust til læknis. Notið eingöngu rafhlöður af sömu gerð. Fjarlægjið rafhlöðurnar ef ekki á að nota tækjið í lengri tíma.

### Skipt um rafhlöðu:


Þegar skipta á um rafhlöðu skal snúa fjarstýringunni við og opna hlífina með skrufjárn. Lyftið hlífinni og lyftið upp stjórnborðinu fyrir neðan. Rennið rafhlöðunni til hliðar og fjarlægjið hana. Gætið þess að rafhlöðurnar snúi rétti! Setjið síðan saman í öfugri röð.

### ATTENTION!

Hætta er á sprengingu ef skipt er um rafhlöðu á rangan hátt. Aðeins skal skipta út með rafhlöðu af sömu eða jafngildri gerð (CR2032) 3V.

## 30 Förgun

Farga verður umbúðum í þar til gerð endurvinnsluflát. Samkvæmt tilskipun Evrópusambandsins 2002/96/ESB varðandi raf- og rafeindabúnaðarúrgang skal farga þessu tæki á fullnægjandi hátt eftir notkun til að tryggja endurvinnslu á efnum þess.

 Ekki má farga gömlum rafgeymum né rafhlöðum með venjulegu heimilissorpi, þar sem slíkir hlutir innihalda mengandi efni og skal farga á réttan hátt á endurvinnslustöðvum eða í ílátum sem söluaðili lætur í té. Fylgja skal öllum gildandi reglum í hvívetna. Íhlutumum skal farga á viðeigandi hátt á endurvinnslustöðvum. Fylgja skal öllum gildandi reglum í hvívetna. Engum íhlutum úrelts drífs má farga með heimilissorpi.

Viðeigandi yfirvald (borg, bær) eða endurvinnslufyrirtæki á þeirra vegum veitir upplýsingar um förgun á slíkum íhlutum.

## 31 Greiningartafla

Bílskúrshurðaoþnarinn er forritaður til sjálfsgreiningar.

Greiningarkóðarnir blikka á UPP- og NIÐURÖRVUNUM á bílskúrshurðaoþnarinum.

GREININGARKÓDI		EINKENNI	LAUSN
Uppör Blikkar	Niðurör Blikkar		
1	1	Bílskúrshurðaoþnarinn lokar ekki hurðinni og ljósið blikkar.	Hugsanlega eru innrauðu ljósnemarnir ekki tengdir (ef þeir eru til staðar) eða vír er í sundur. Athugið hvort að rafmagnsvírnir á skynjaranum hafi dottið úr sambandi eða hafa rofnað.
1	2	Bílskúrshurðaoþnarinn lokar ekki hurðinni og ljósið blikkar.	Skammhlaup í vír eða rafmagnsvír er leiddur á rangan hátt í innrauðu ljósnemana. Skoðið rafmagnsvíra innrauðu ljósnemana við alla heftipunkta og tengipunkta og skiptið um rafmagnsvírana eða lagfærið þá eftir þörfum.
1	3	Hurðarstýringin virkar ekki.	Skammhlaup hefur orðið í rafmagnsvirum hurðarstýringarinnar eða bilun er í hurðarstýringunni. Skoðið rafmagnsvíra hurðarstýringarinnar við alla heftipunkta og tengipunkta og skiptið um rafmagnsvírana eða lagfærið þá eftir þörfum.
1	4	Bílskúrshurðaoþnarinn lokar ekki hurðinni og ljósið blikkar	Hugsanlega eru innrauðu ljósnemarnir ekki rétt stilltir eða hindrun var á vegi þeirra. Stillið báða skynjarana aftur til að tryggja að LED-ljósin logi stöðugt og flókti ekki. Gætið þess að ekkert hangi á hurðinni eða sé fest við hana sem truflar skynjarana á meðan hurðinni er lokað.
1	5	Hurðin hreyfist 15-20 cm og stöðvast síðan eða opnast aftur.	Opnið og lokið hurðinni handvirkt. Athugið hvort eitthvað sé bundið við hurðina eða hindri hana, eins og brotinn gormur eða hurðarlás og gerið nauðsynlegar lagfæringar. Skoðið tengi rafmagnsvíra við hreyfinguna og móðurborðið. Skiptið um hreyfinguna ef þörf krefur.
1	5	Engin hreyfing, aðeins einn smellur heyrst.	Opnið og lokið hurðinni handvirkt. Athugið hvort eitthvað sé bundið við hurðina eða hindri hana, eins og brotinn gormur eða hurðarlás og gerið nauðsynlegar lagfæringar. Skiptið um móðurborðið ef þörf krefur.
1	5	Það suðar í opnarinum í 1-2 sekúndur en engin hreyfing verður	Opnið og lokið hurðinni handvirkt. Athugið hvort eitthvað sé bundið við hurðina eða hindri hana, eins og brotinn gormur eða hurðarlás og gerið nauðsynlegar lagfæringar. Skiptið um motorinn ef þörf krefur.
1	6	Hurðin rennur til eftir að hún hefur stöðvast að fullu.	Forritið aftur hurðarferlið að rennslisstað eða kallið til fagaðila í hurðarkerfum til að jafnvægisstilla hurðina
2	1-5	Engin hreyfing og ekkert hljóð.	Skiptið um móðurborðið.
3	1	Bílskúrshurðaoþnarinn hreyfist lítilla og stöðvast síðan.	Ræsið bílskúrshurðaoþnarann að nýju. Skiptið um móðurborðið ef vandamálið er enn til staðar.
3	3	LED-ljós rafhlöðuhleðslu blikkar í sífellu í grænum lit.	Villa í hleðslurás aukarafhliðunnar, skiptið um móðurborðið.

DIAGNOSTIC CODE	SYMPTOM	SOLUTION
Up Arrow Flash(es)	Down Arrow Flash(es)	
3	5	Bílskúrshurðaoþnarin lokar ekki hurðinni eða hurðin opnast aftur þegar hún er á hreyfingu.
4	1-4	Hurð á hreyfingu stöðvast og/eða opnast aftur.
4	5	Opnarin hreyfist um 15-20 cm, stöðvast og opnar aftur hurðina
4	6	Bílskúrshurðaoþnarin lokar ekki hurðinni og ljósið blikkar.
5	5	Hurðin lokast ekki þegar notuð er TTC-tímalokun eða MyQ-snjallsímastýring.

## 32 Bilanaleit

Bílskúrshurðaoþnarin virkar hvorki með hurðarstýringunni eða fjarstýringunni:

- Er bílskúrshurðaoþnarin tengdur við rafmagn? Prófið að stinga lampa í samband við innstunguna. Athugið öryggjaboxið eða útsláttarhoffann ef það kviknar ekki á lampanum. (Sumum innstungum er stjórnað með rofa á veggnum.)
- Er búið að taka alla lása af? Farið yfir viðvaranir í uppsetningarleiðbeiningum á blaðsíðu 5.
- eru rafmagnsvíranir rétt tengdir?
- Hefur is eða snjór komist undir hurðina? Hurðin gæti verið frosin föst við gólfíð. Fjarlægjið allar hindranir.
- Gormur bílskúrshurðarinnar er hugsanlega brotinn. Skiptið um gorminn (sjá atriði nr. 3 „Uppsetning“).

Hurðaropnaranum er hægt að stjórna með stýribúnaði með einum hnappi en ekki með fjarstýringu:

- Endurforritið fjarstýringuna og skiptið um rafhlöðuna ef þörf krefur. Gerið slíkt hið sama með allar aðrar fjarstýringar.

Hurðin opnast og lokast af sjálfu sér:

- Be sure that all remote control push buttons are off.
- Remove the bell wire from the single button control station terminals and operate from the remote only. If this solves the problem, the single button control station is faulty, or there is an intermittent short in the wire. Replace the control station.
- Erase the memory and reprogram all remote controls (refer to the instructions provided with the remote control or visit LiftMaster.eu).

Fjarstýringin ræsir ekki bílskúrshurðina:

- Gætið þess að lásinn sé ekki á hurðarstýringunni.
- Endurforritið fjarstýringuna.
- Ef fjarstýringin hreyfir ekki enn hurðina skal skoða greiningarkóðana til að ganga úr skugga um að bílskúrshurðaoþnarin starfi á réttan hátt.

#### Fjarstýringin hefur litið drægi:

- Prófið að færa fjarstýringuna á annan stað í bílnum.
- Við tiltekna uppsetningar minnkar drægið vegna þess að málmhurð, álhúðuð einangrun eða málmklæðning er á bílskúrnum.

#### Hurðin opnast ekki alveg:

- Athugið hvort að hurðarlásinn fái straum.
- Er einhver hindrun fyrir hurðinni? Er hurðin óstöðug eða eru gormarnir brotnir? Fjarlægið fyrirstöðuna eða lagfærið hurðina.

#### Hurðin opnast en lokast ekki:

- Athugið hvort að greiningarbúnaðurinn fyrir vírstrekkingu sé rétt settur upp. Ef greiningarbúnaður fyrir vírstrekkingu hefur verið fjarlægður af öðrum staðnum skal fylgja leiðbeiningunum til að endurforrita greiningarbúnað fyrir vírstrekkingu fyrir einn stað (sjá atriði nr. 14).
- Tengja verður innrauðu ljósnemana og stilla þá rétt áður en hurðaropnarinn færir hurðina niður á við. Ef hægt er að loka hurðinni með afli skal ganga úr skugga um að innrauðu ljósnemarnir séu settir upp á réttan hátt, séu rétt stilltir og engar hindranir séu á vegi þeirra.
- Skoðið innrauðu ljósnemana ef ljósín á bílskúrshurðaropnarinum blikka.
- Ef ljósín á bílskúrshurðaropnarinum blikka ekki og um fyrstu uppsetningu er að ræða (sjá atriði nr. 14). Sjá hér að neðan ef þegar er búið að setja upp búnaðinn.
- Endurtakið prófunina á öryggisopunarkerfinu þegar stillingunni er lokið.

#### Hurðin opnast að ástæðulausu og ljósín á bílskúrshurðaropnarinum blikka ekki:

- Athugið hvort að greiningarbúnaðurinn fyrir vírstrekkingu sé rétt settur upp. Ef ein greiningarbúnaðareining fyrir vírstrekkingu er fjarlægð skal taka báðar greiningarbúnaðareiningarnar úr sambandi við hurðaropnarann. Síðan skal tengja greiningarbúnaðinn sem á að nota. Þar á eftir skal taka hann úr sambandi og setja aftur í samband við hurðaropnarann þrisvar sinnum til að endurstilla greiningarbúnaðinn og hurðaropnarann saman. 1k viðnámið er aðeins til að bilanagreina uppsetningu CTM. Samkvæmt EN 12453 þarf að setja upp skynjara fyrir spennu á rafmagns-snúrunni til að hægt sé að greina ef hún slaknar.
- Er einhver hindrun fyrir hurðinni? Togið í neyðaropunarhandfangið. Opnið og lokið hurðinni handvirk. Kallið til fagaðila í hurðarkerfum ef hún er óstöðug eða festist.
- Hreinsið ís eða snjó af gólfinu í bílskúrnum þar sem hurðin lokast.
- Sjá atriði nr. 20.

Endurtakið prófunina á öryggisopunarkerfinu þegar stillingunum er lokið.

#### Hurðin lokast ekki og ljósið blikkar:

Innrauðu ljósnemarnir verða að vera tengdir og settir upp á réttan hátt áður en bílskúrshurðaropnarinn getur lokað hurðinni.

- Gangið úr skugga um að innrauðu ljósnemarnir séu rétt uppsettir, rétt stilltir og engin hindrun sé á vegi þeirra.

#### Bílskúrshurðaropnarinn erfiðar þegar hann opnar hurðina:

- Hurðin er hugsanlega óstöðug eða gormarnir eru brotnir. Lokið hurðinni og togið í neyðarlosunarhandfangið til að aftengja hurðina. Opnið og lokið hurðinni handvirk. Hurð í réttu jafnvægi getur staðnæmst hvar sem er í ferlinum og gormarnir halda henni á sínum stað. Ef hurðin er ekki í réttu jafnvægi skal taka bílskúrshurðaropnarann úr sambandi og kalla til fagaðila í hurðarkerfum.

#### Bílskúrshurðaropnarinn suðar í stutta stund og virkar síðan ekki:

- Hugsanlega eru gormarnir á bílskúrshurðinni brotnir. Sjá hér fyrir ofan.
- Ef þetta er í fyrsta skipti sem bílskúrshurðaropnarinn er notaður er hurðin hugsanlega læst. Takið rafmagnið af hurðarlásnum.

#### Bílskúrshurðaropnarinn virkar ekki vegna þess að rafmagn fór af:

- Hreyfið hurðarlásinn handvirk.
- Togið í neyðarlosunarhandfangið til að aftengja hurðina. Hægt er að opna og loka hurðinni handvirk. Þegar rafmagnið kemst á aftur skal toga öðru sinni í handfangið.
- Aftengið allar hurðarlása. Togið í neyðarlosunarhandfangið til að aftengja hurðina. Hægt er að opna og loka hurðinni handvirk.

#### Hurðin fer yfir mörk:

- Kraginn er ekki nægilega vel hertur. Herðið kragann og endurforritið mörkin (sjá atriði nr. 20).

#### Bílskúrshurðaropnarinn hreyfist þegar hurðin er á hreyfingu:

- Eðlilegt er að opnarinn hreyfist lítillega. Ef hann hreyfist of mikið veldur slíkt ótímabæru sliti á kraganum.
- Gætið þess að sneriljöðrin færist ekki of langt til vinstri/hægri.
- Gætið þess að sneriljöðrin hreyfist ekki greinilega upp og niður þegar hún snýst.
- Gætið þess að opnarinum sé komið fyrir í réttu horni miðað við drifskafið. Færið festinguna til ef hann er ekki í réttu horni miðað við drifskafið

#### Tengið fyrir sjálfvirku hurðarlæsinguna passar ekki í innstunguna á hurðaropnarinum:

- Eldri gerðir af 24 V hurðarlæsingum eru ekki samhæfar. Notið sjálfvirka hurðarlæsingu af gerð 841EU, sjá hlutann um aukabúnað

**Sjálvvirka læsingin fyrir bílskúrshurðina fer ekki í gang þegar bílskúrshurðin opnast eða lokast:**

- Þegar keyrt er á aukarafhlöðu fer sjálvvirka bílskúrshurðalæsingin úr lás þegar bílskúrshurðin er opnuð og verður áfram óvirk þar til rafmagn kemst aftur á.

**Hurðaropnarinn gefur frá sér hljóðmerki:**

- Gefur til kynna lokun án eftirlits. Opnarinn var ræstur af MyQ-forritinu eða eftirlitsbúnaði bílskúrs og hurðar.
- Þegar appelsínugult LED-ljós logar stöðugt og einnig heyrst hljóðmerki á u.þ.b. tveggja sekúndna fresti merkir slíkt að hurðaropnarinn keyri á rafhlöðu.
- Appelsínugult LED-ljós sem blikkar ásamt hljóðmerki sem heyrst á 30 sekúndna fresti merkir að rafhlaðan er að tæmast.
- Þegar rautt LED-ljós logar ásamt hljóðmerki sem heyrst á 30 sekúndna fresti hefur 12 V rafhlaðan tæmst og skipta þarf um hana.

**Bílskúrshurðin gefur frá sér hljóðmerki og rauða LED-ljósið blikkar:**

Lítill hleðsla er á rafhlöðu eða hún er tóm.

- Skiptið um rafhlöðuna.

**MyQ-snjallsímastýringin, þráðlaus MyQ-tæki og TTC-tímalokunin virka ekki:**

- Þegar keyrt er á aukarafhlöðu er slökkt á MyQ-stjórnun úr snjallsíma, þráðlausum MyQ-tækjum og TTC-tímalokuninni.
- LED-ljós MyQ-fjarstýringarinnar verður að vera sett upp til að hægt sé að nota TTC-tímalokun eða MyQ-stjórnun úr snjallsíma til að stýra hurðinni. Stingið LED-ljósi MyQ-fjarstýringarinnar í samband og gætið þess að það sé forritað til notkunar með bílskúrshurðaropnarinum. Allt að 5 mínútur getur tekið að virkja TTC-tímalokunina og MyQ-stjórnun úr snjallsíma.

### 33 Aukabúnaður sem fylgir ekki

Notið ávallt aukabúnað frá LiftMaster.

Vörur frá öðrum framleiðendum geta valdið bilunum.

1.	TX4UNIF	4-rása, fjolnota fjarstýring
2.	TX4EVS	4-rása fjarstýring
3.	TX4UNI/S	4-rása, fjolnota fjarstýring
4.	128EV	Þráðlaus veggstýring, 2-rása
5.	747EV	Lyklaborð
6.	78EV	Rafmagnstengd, fjolnota veggstýring
7.	FLA-1LED	Blikkljós
8.	772E	Ljósneymar
9.	100034	Sviss (festur í flútti)
10.	100041	Sviss (festur við yfirborð)
11.	829EV	Eftirlitsbúnaður bílskúrshurðar
12.	485EU	Vararafhláða
13.	827EV	LED-LJÓS MYQ-FJARSTÝRINGARINNAR:
14.	041A9264	Greiningarbúnaður fyrir vírstrekkingu
15.	841EU	Sjálfvirk hurðarlæsing

### 34 Tæknilysing

Inntaksspenna	230-240 VAC, 50 Hz
Hámarksnúningsvægi	36 NM - AC + afhlaða 29 NM - AC
Nafngildi snúningsvægis	10 Nm
Afl	150 W
Biðstöðuafli	2,6 W
Gerð mótors	Jafnstraumsmotor
Hávaðastig	57 dB
Hraði hurðarferils	21 sn./min. (niður), 36 sn./min. (upp)
Öryggisbúnaður	Þrýstihnappur og sjálfvirk stopp niður á við. Þrýstihnappur og sjálfvirk stopp upp á við.
Rafstýring	Sjálfvirk stilling á afl
Rafkerfi	Yfirálagsvari á straumbreyti og lágspennuvira fyrir þrýstihnapp.
Takmörkunarbúnaður	Ljósmyndari á sn./mín. / fastmerki.
Stilling á mörkum	Rafstýrð, sjálfvirk að öllu leyti eða að hluta til.
Rás fyrir ræsingu	Lágspennurás fyrir þrýstihnapp.
Hámarkshæð hurðar	3 m
Hámarksbreidd hurðar	5,5 m
Hámarksflötur hurðar	16.5 m <sup>2</sup>
Hámarksþyngd hurðar	130 kg
Þyngd hurðar þegar hún er opin	11 kg
Minniskrár móttökutækis	64
Notkunartíðni	433 / 868 MHz, 2,4 GHz

## 35 Öryggis- og viðhaldsleiðbeiningar fyrir sjálfvirkan bílskúrshurðaðopnara

### ÖRYGGI BÍLSKÚRSHURÐAOPNARA – SJÁLFSÖGD ÁKVÖRDUN

Bílskúrshurðin er stærsti hreyfanlegi hluturinn á heimilinu. Bílskúrshurð og opnari sem eru stillt á rangan hátt geta lokað hurðinni af lífshættulegu afli – sem getur valdið því að börn eða fullorðnir festist og slasist eða láti lífið.

Rétt uppsetning, notkun, viðhald og prófun á bílskúrshurðinni og sjálfvirka opnarannum eru nauðsynleg til að kerfið starfi á öruggan og snurðulausan hátt. Ógætileg notkun eða það að leyfa börnum að leika sér að eða nota bílskúrshurðaoþnarann skapar hættulegar aðstæður sem geta haft hörmulegar afleiðingar. Nokkrar einfaldar varúðarráðstafanir geta verndað fjölskyldu og vini fyrir hugsanlegri hættu. Farið vandlega yfir öryggis- og viðhaldsráðleggingarnar í þessum bæklingi og geymið hann til síðari nota. Athugið virkni bílskúrshurðarinnar og opnarans til að sannreyna að allt starfi á öruggan og snurðulausan hátt. Gætið þess að lesa allar mikilvægar öryggisupplýsingar í handbók bílskúrshurðaoþnarans. Þar er að finna nánari upplýsingar um öryggisatriði en koma fram í þessum bæklingi.

Bílskúrshurðaoþnarar eru ekki leikföng

Ræðið við börnin um öryggi bílskúrshurðarinnar og bílskúrshurðaoþnarans. Útskýrið fyrir þeim hættuna á því að klemmast undir hurðinni.



**Haldið ykkur í öruggri fjarlægð frá hurð á hreyfingu.**



**Geymið senda og fjarstýringar þar sem börn ná ekki til.**  
Ekki leyfa börnum að leika sér með né nota senda eða annan fjarstýrðan búnað.



**Veggfesta þrýstihnappinum skal koma fyrir þar sem börn ná ekki til,** a.m.k. 150 cm frá næsta yfirborði sem hægt er að standa á og fjarri öllum hlutum sem eru á hreyfingu. Komið hnappinum fyrir og notið hann á stað þar sem hægt er að sjá bílskúrshurðina lokast.



**Horfið á hurðina lokast alveg** þegar veggfesti þrýstihnappurinn eða sendir er notaður.

## 36 Reglubundið viðhald getur komið í veg fyrir slys

Skoðið og prófið bílskúrhurðina og opnunarkerfið á mánaðarfresti. Farið yfir handbók eiganda, bæði fyrir hurðina og hurðaropnarann. Ef handbækur eru ekki til staðar skal hafa samband við framleiðendur og óska eftir afriti fyrir þá gerð sem um ræðir. Tegundarnúmer opnarans er að finna aftan á aflgjafanum.



**VIÐVÖRUN** – gormarnir eru mjög strekktir.

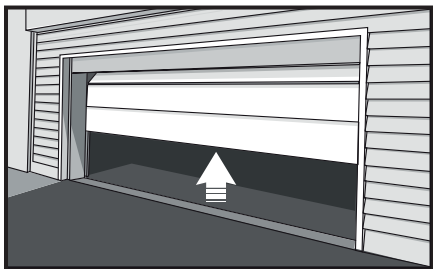
Aðeins löggiltir fagaðilar skulu sjá um að stilla þá.

### Skoðið hurðina og uppsetningu hennar sjónrænt:



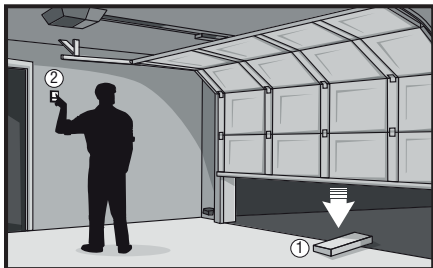
- Byrjið á því að loka hurðinni og notið síðan handvirka losunarbúnaðinn á opnarannum til að aftengja hurðina.
- Athugið hvort að slit eða skemmdir séu á lömum, keflum, gormum og hurðarspjöldum.
- Hugsanlega þarf að smyrja reglulega slíka íhluti. Leitið upplýsinga um ráðlagt viðhald í eigendahandbókinni.
- Kallið til fagaðila í hurðarkerfum ef merki eru um slit eða skemmdir.
- Sannreynið að ljósskynjarinn sé ekki meira en 183 cm frá gólfi bílskúrsins.

### Athugið hvort að hurðin starfi á réttan hátt:



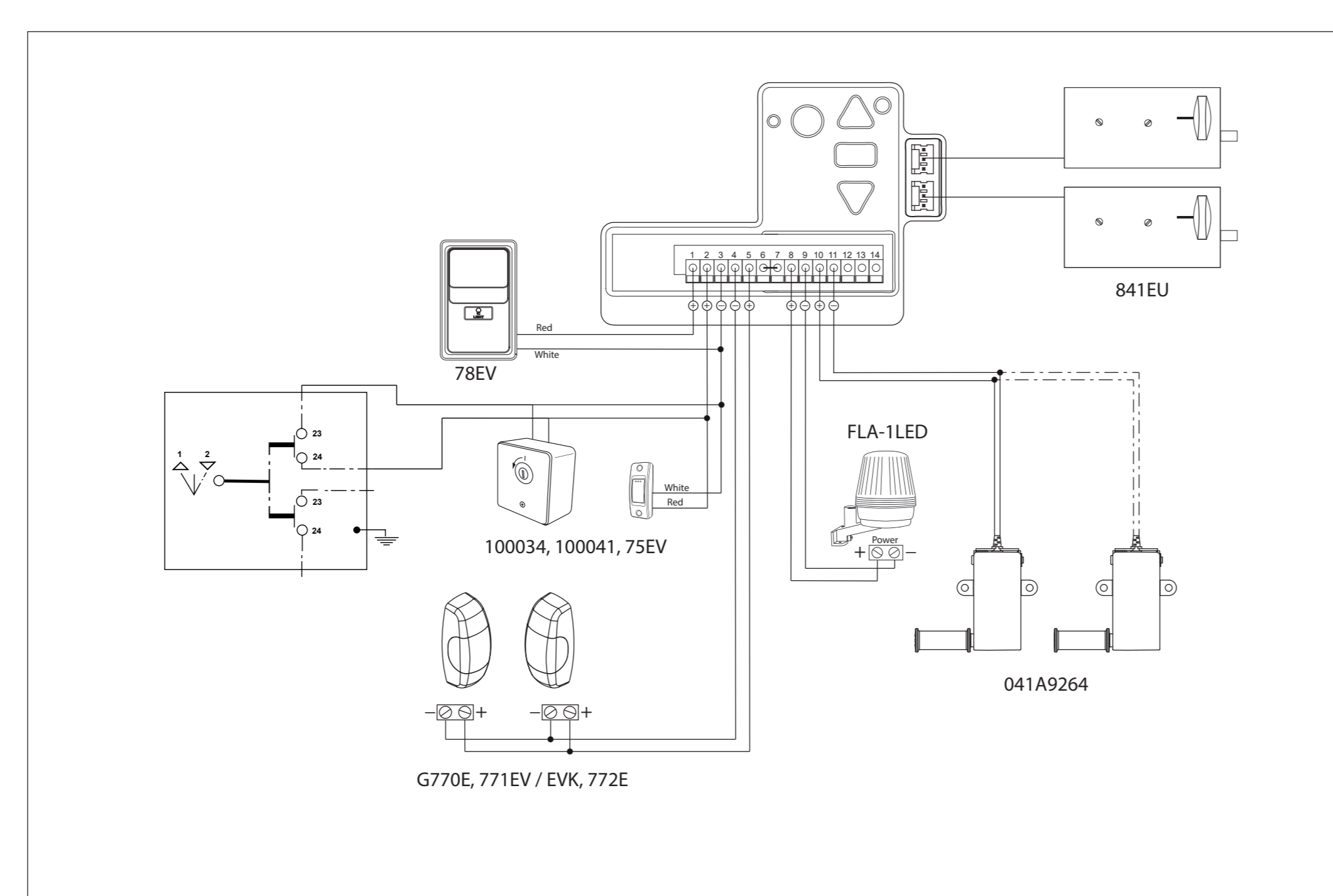
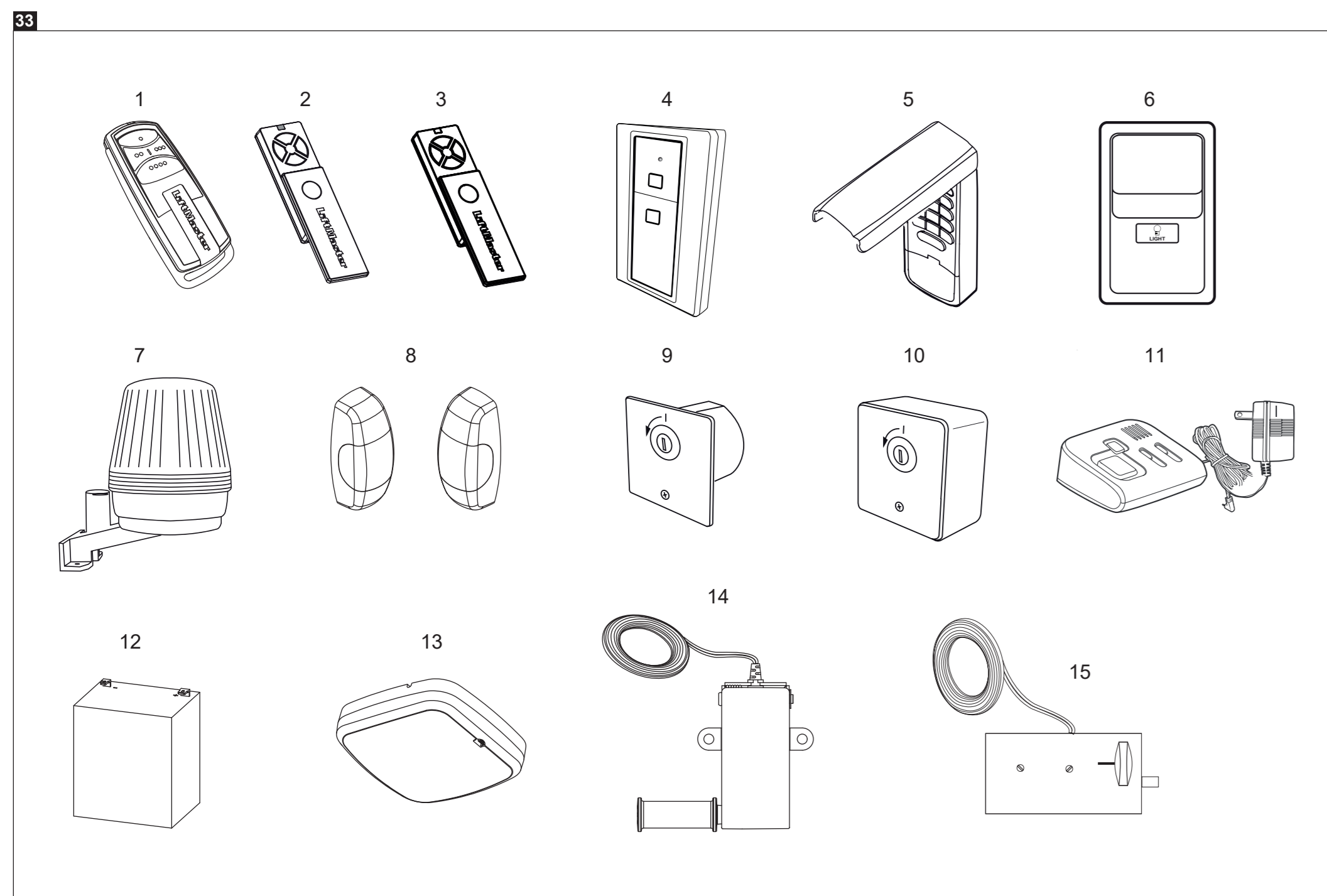
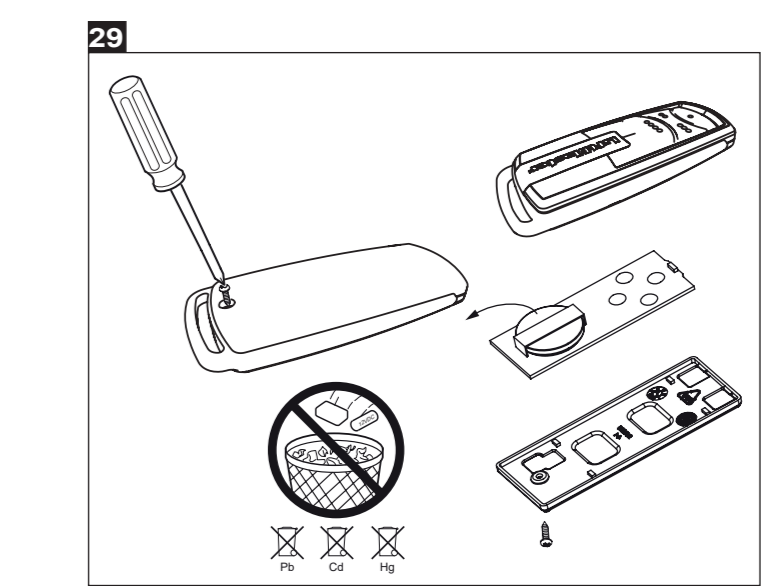
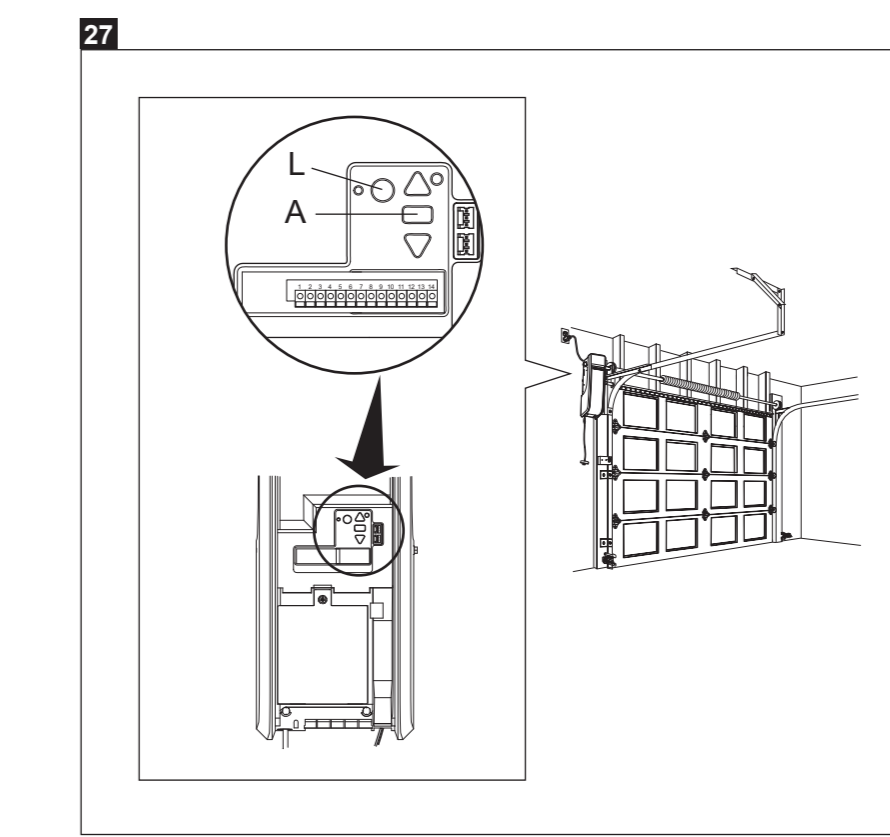
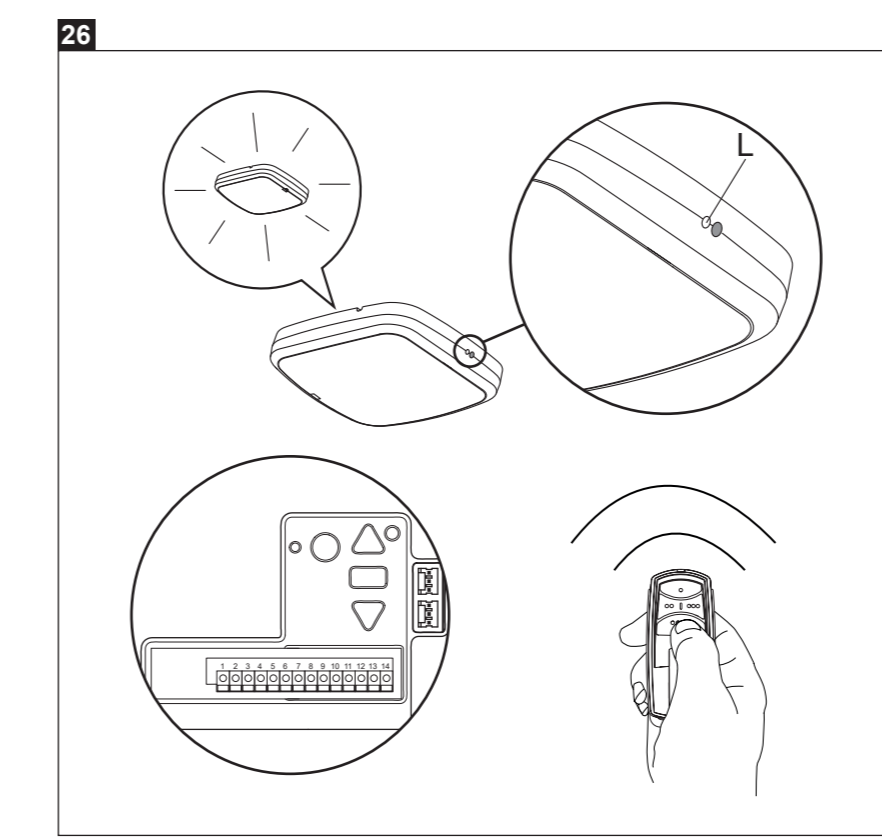
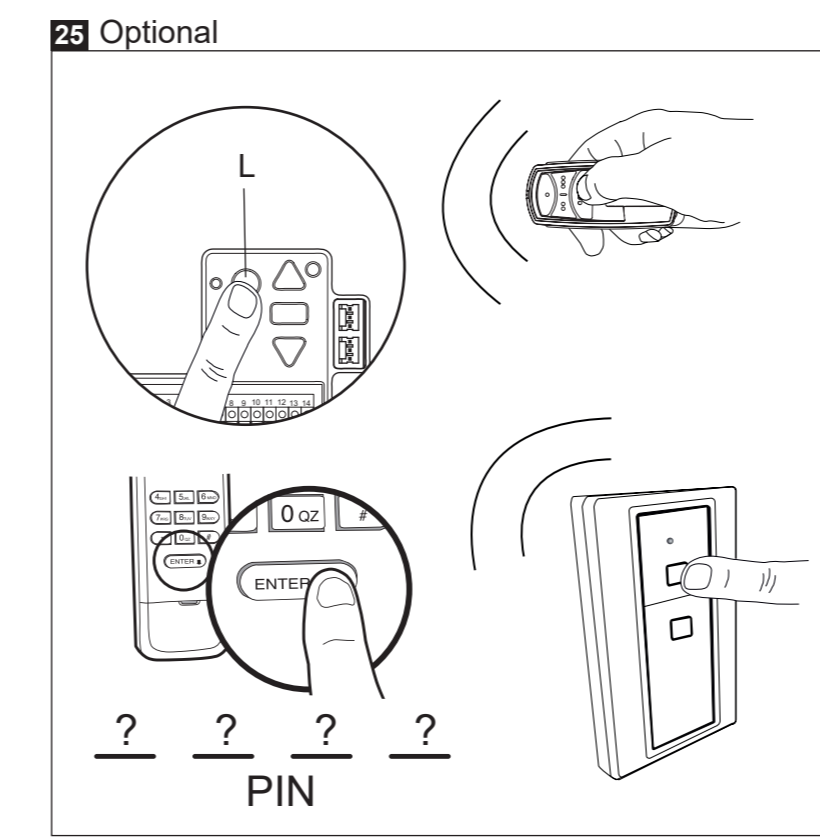
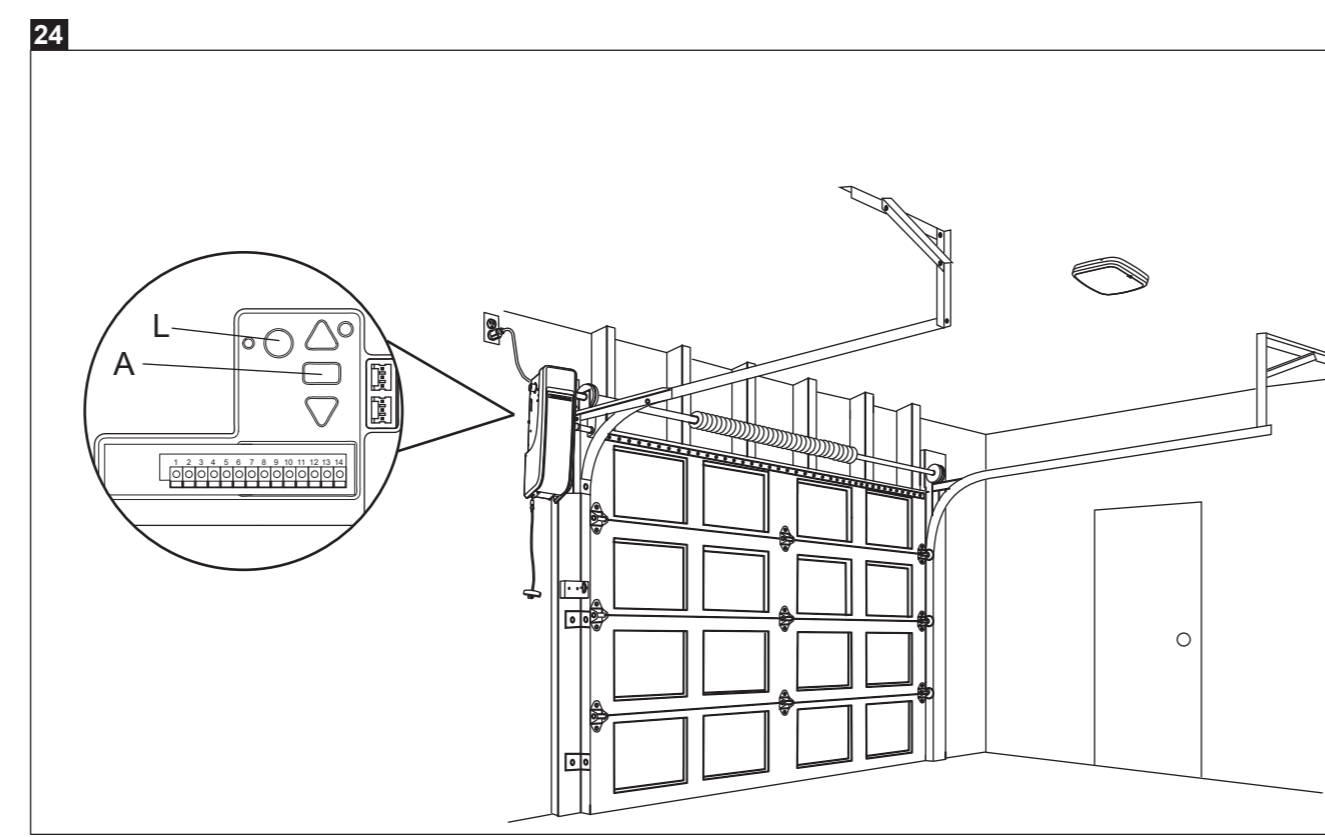
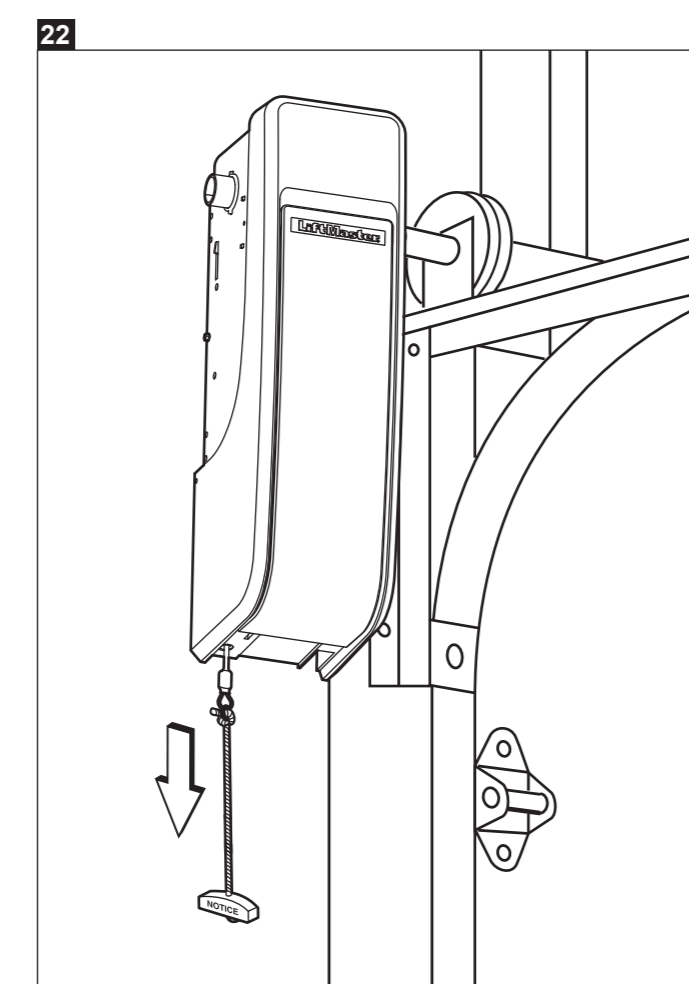
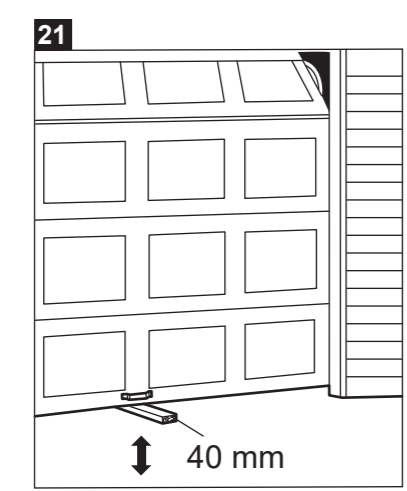
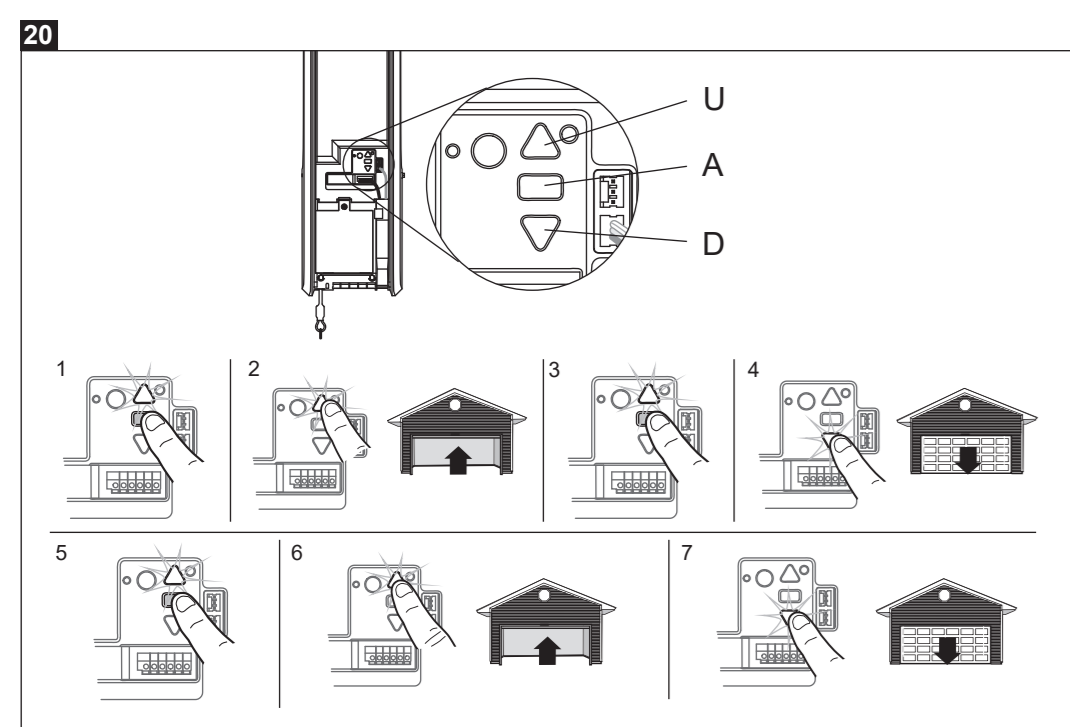
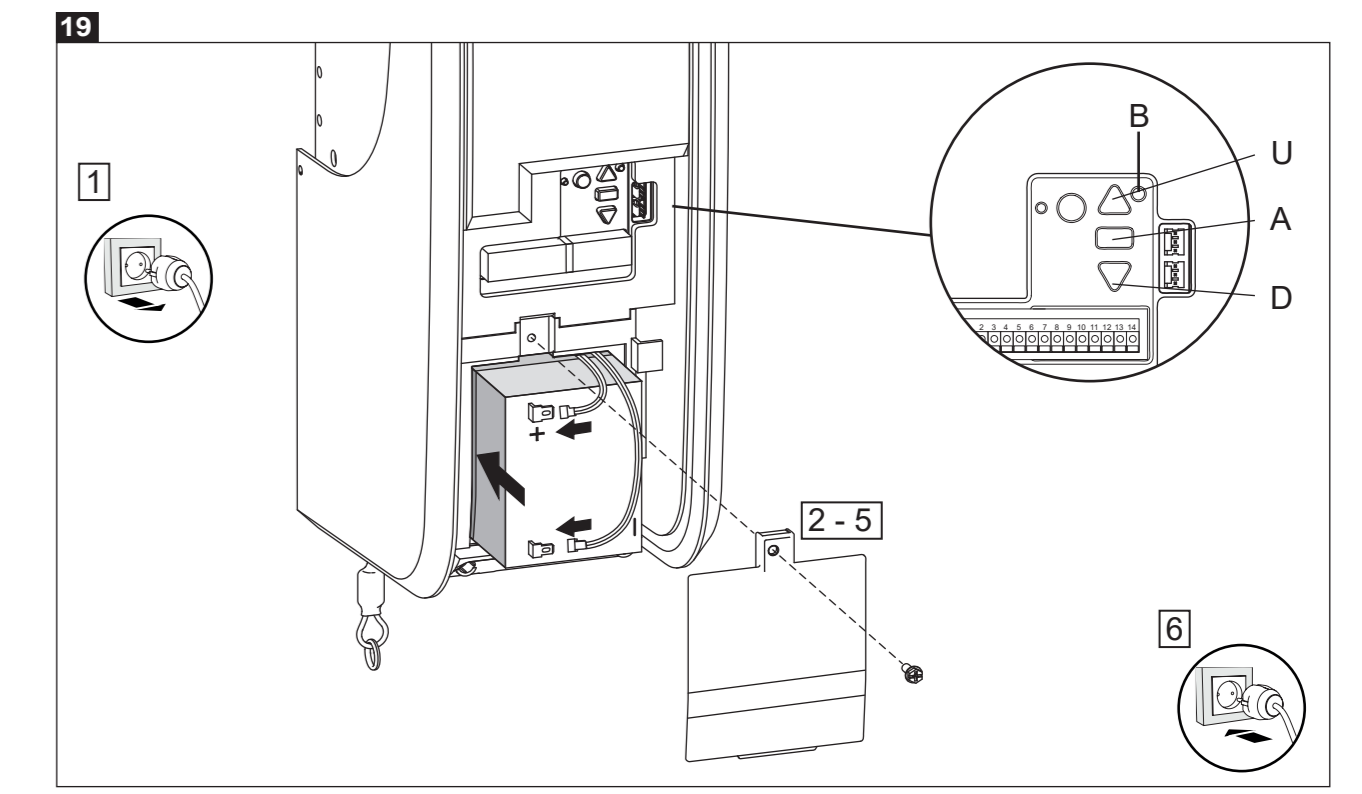
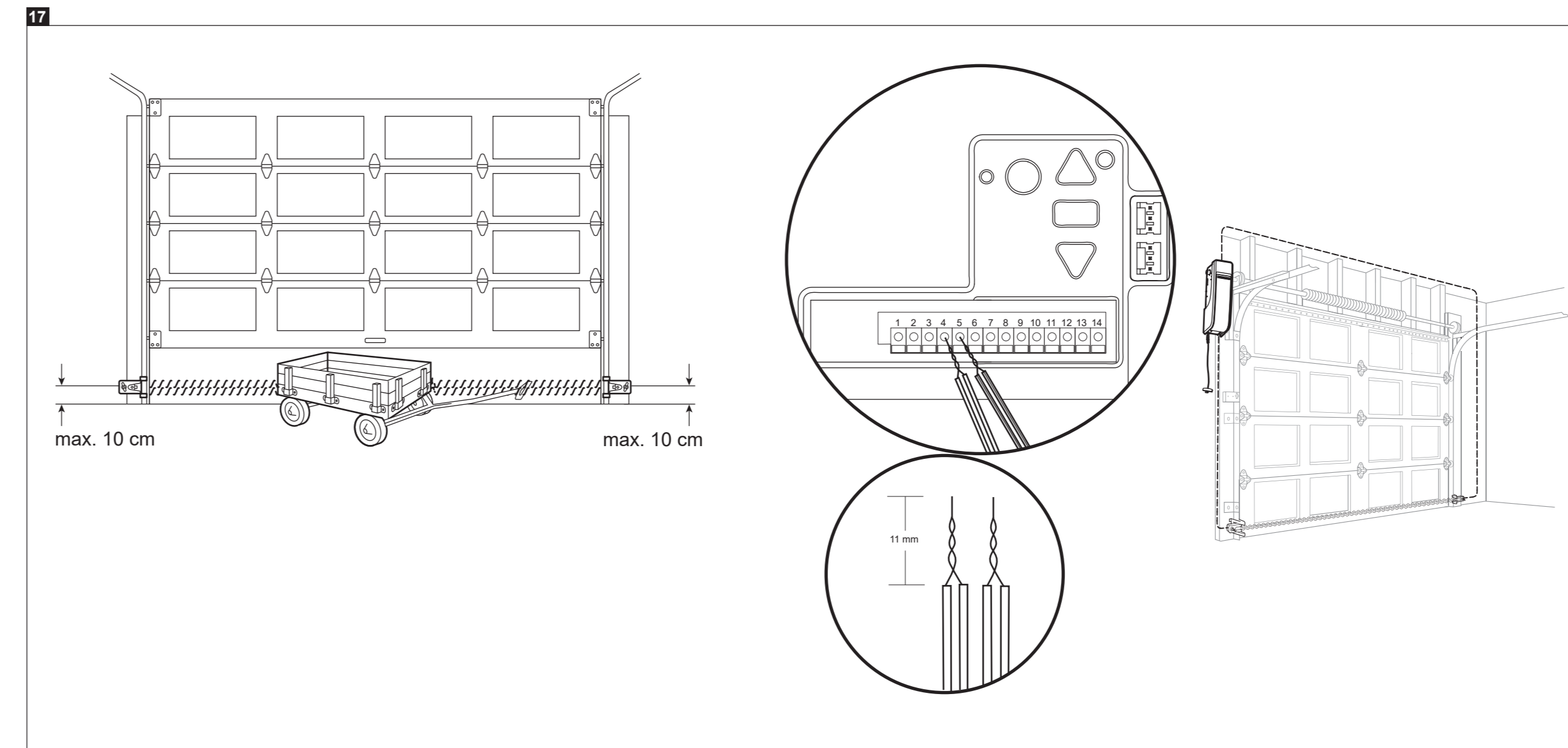
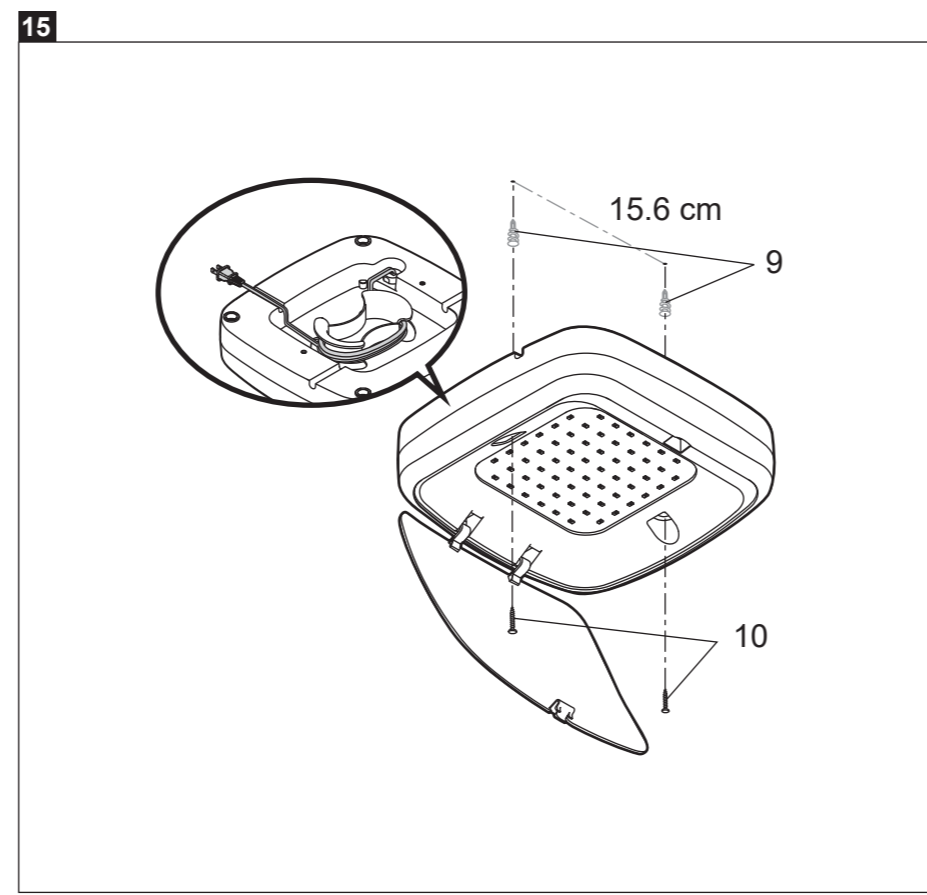
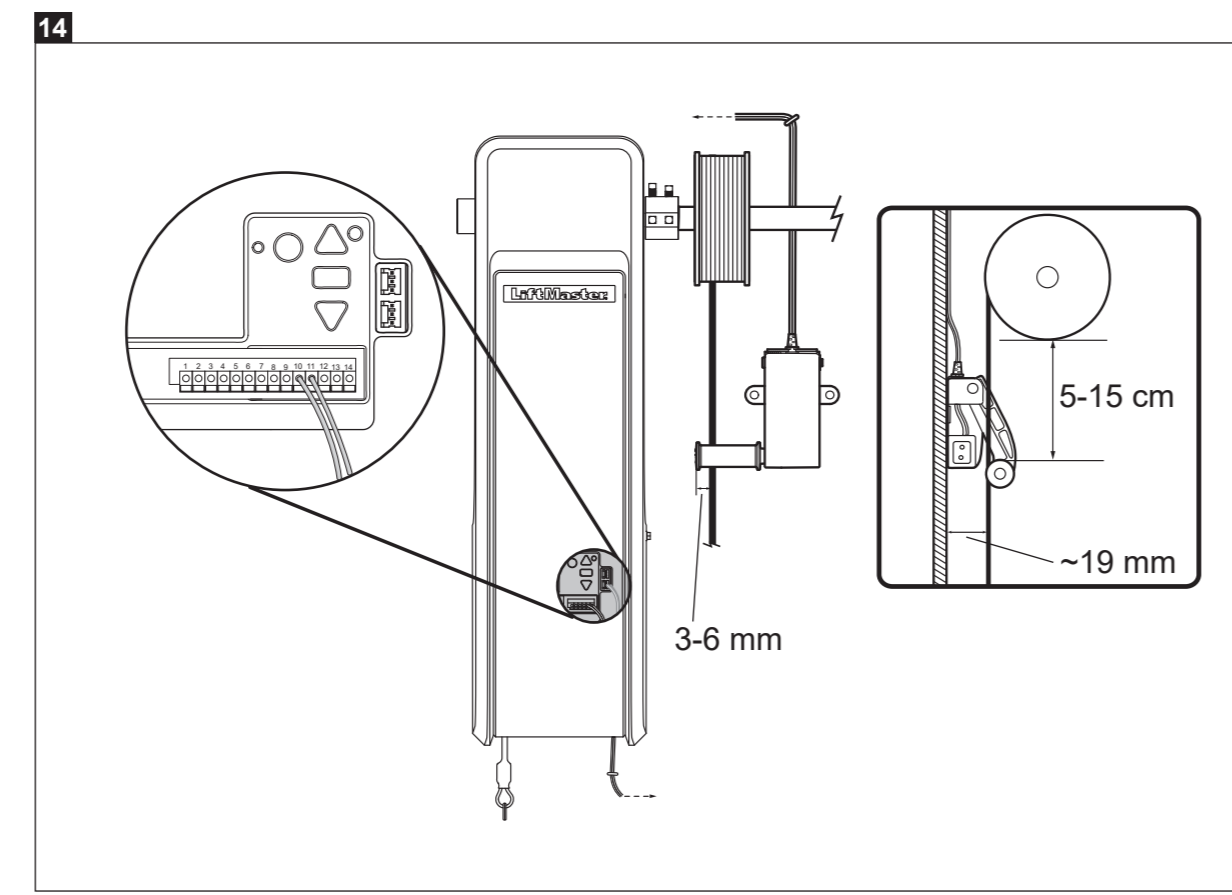
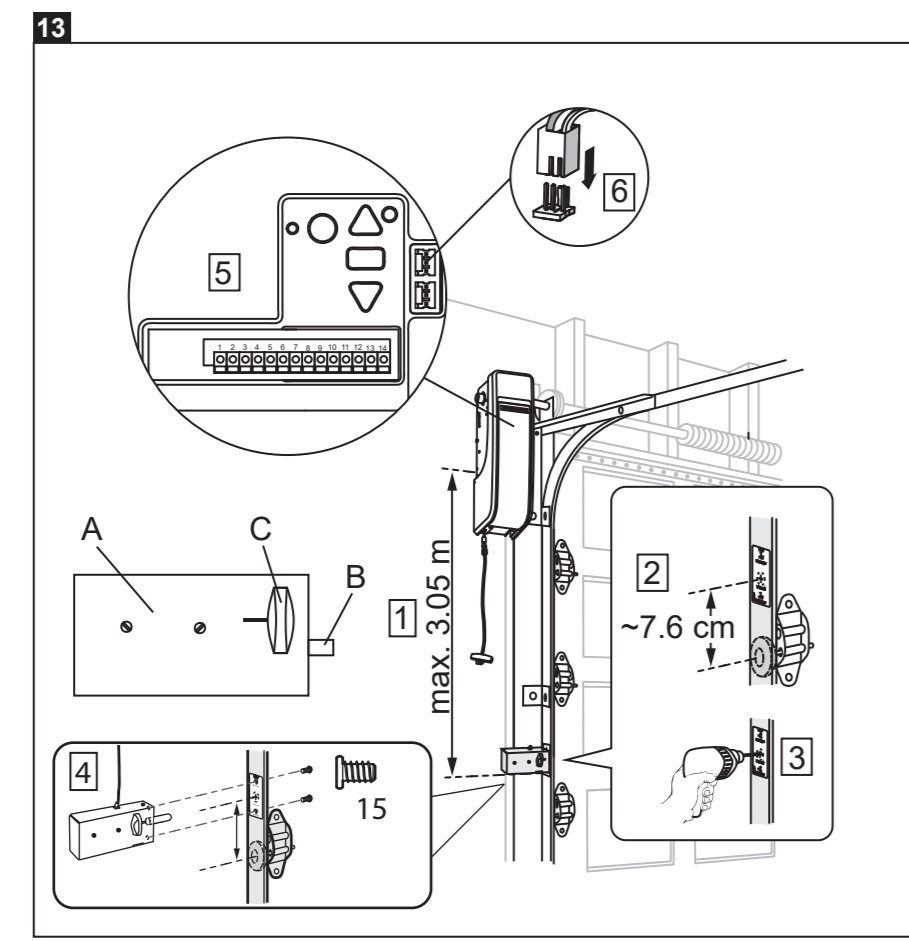
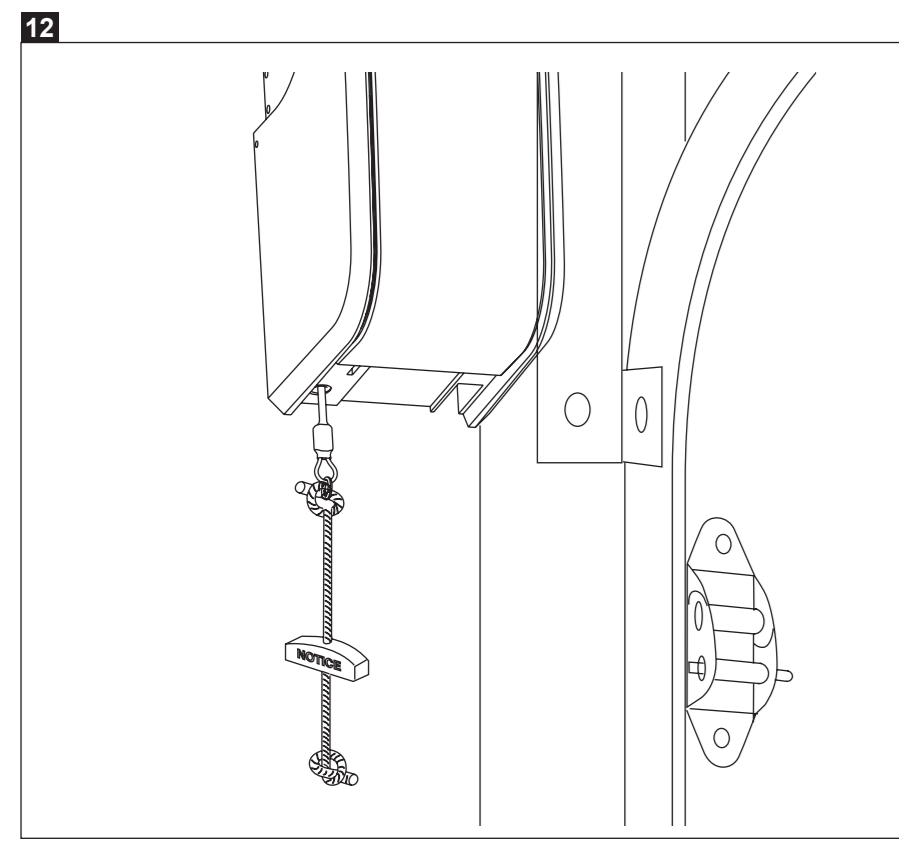
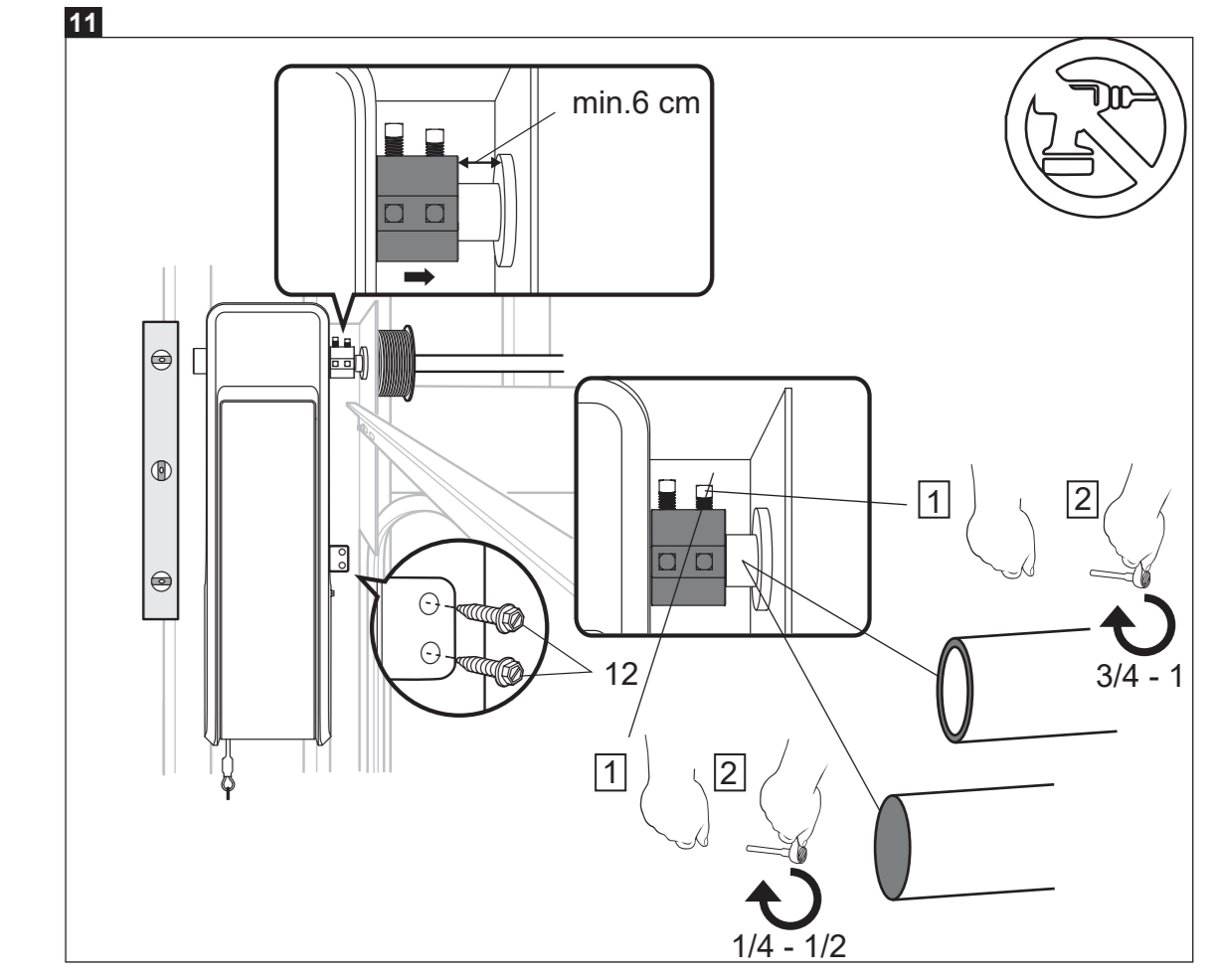
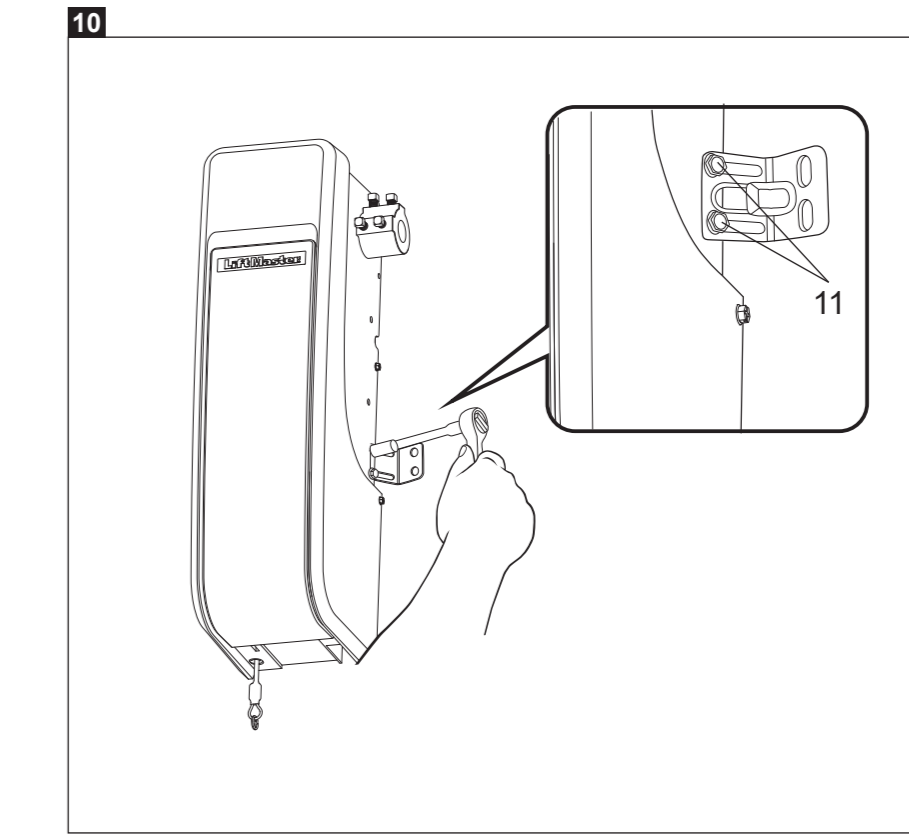
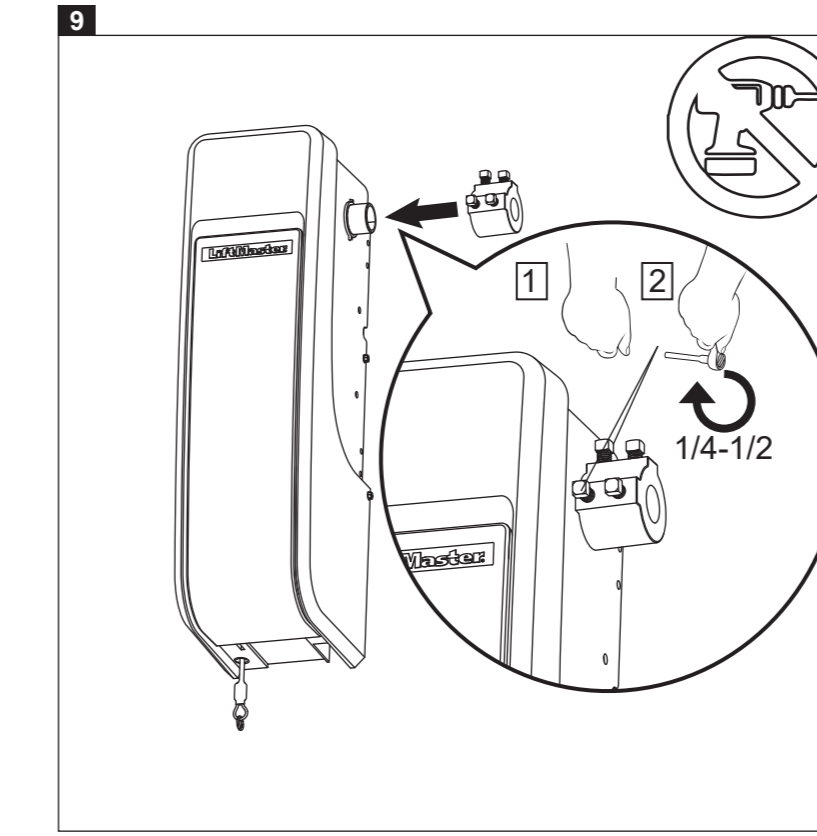
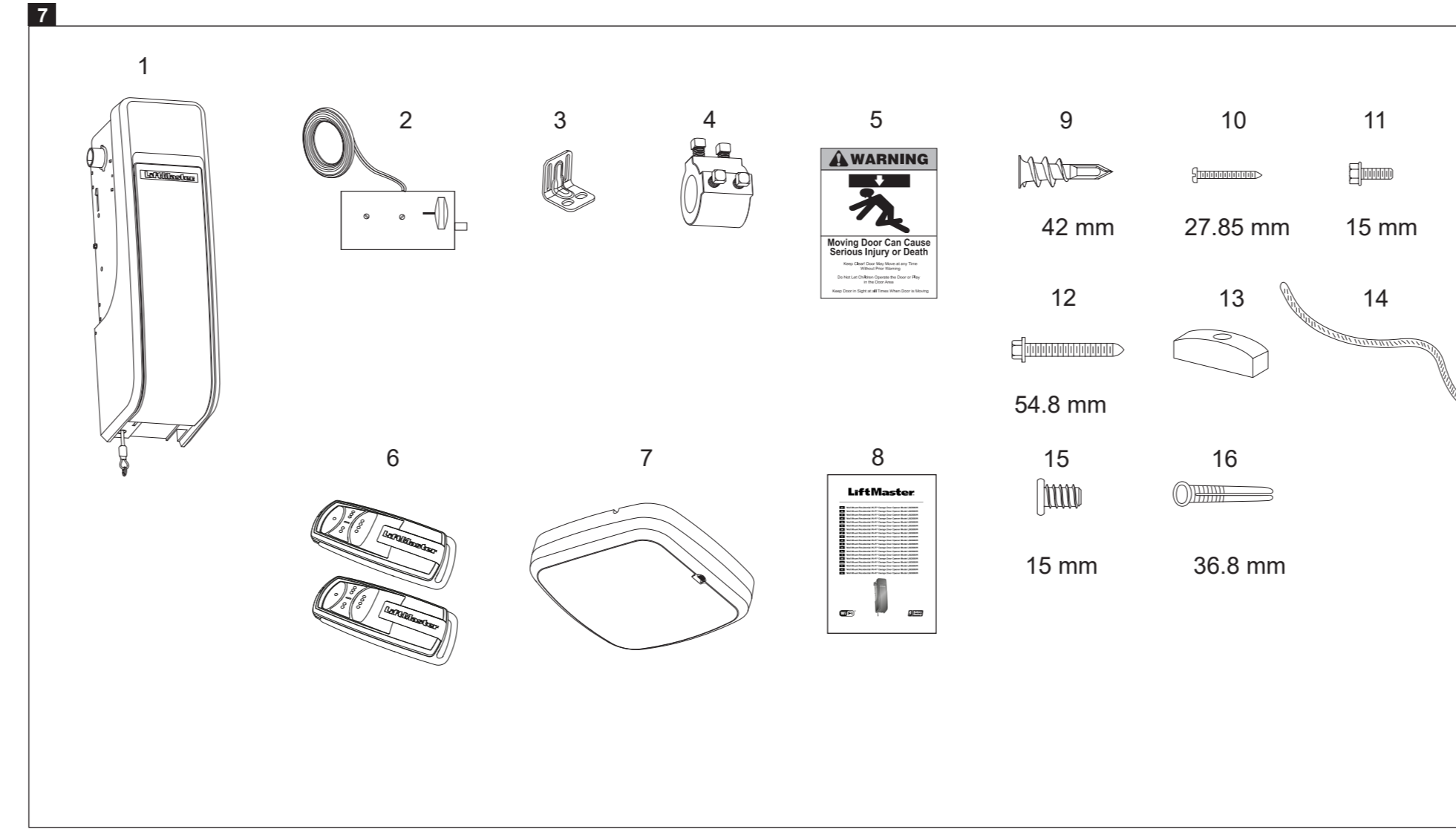
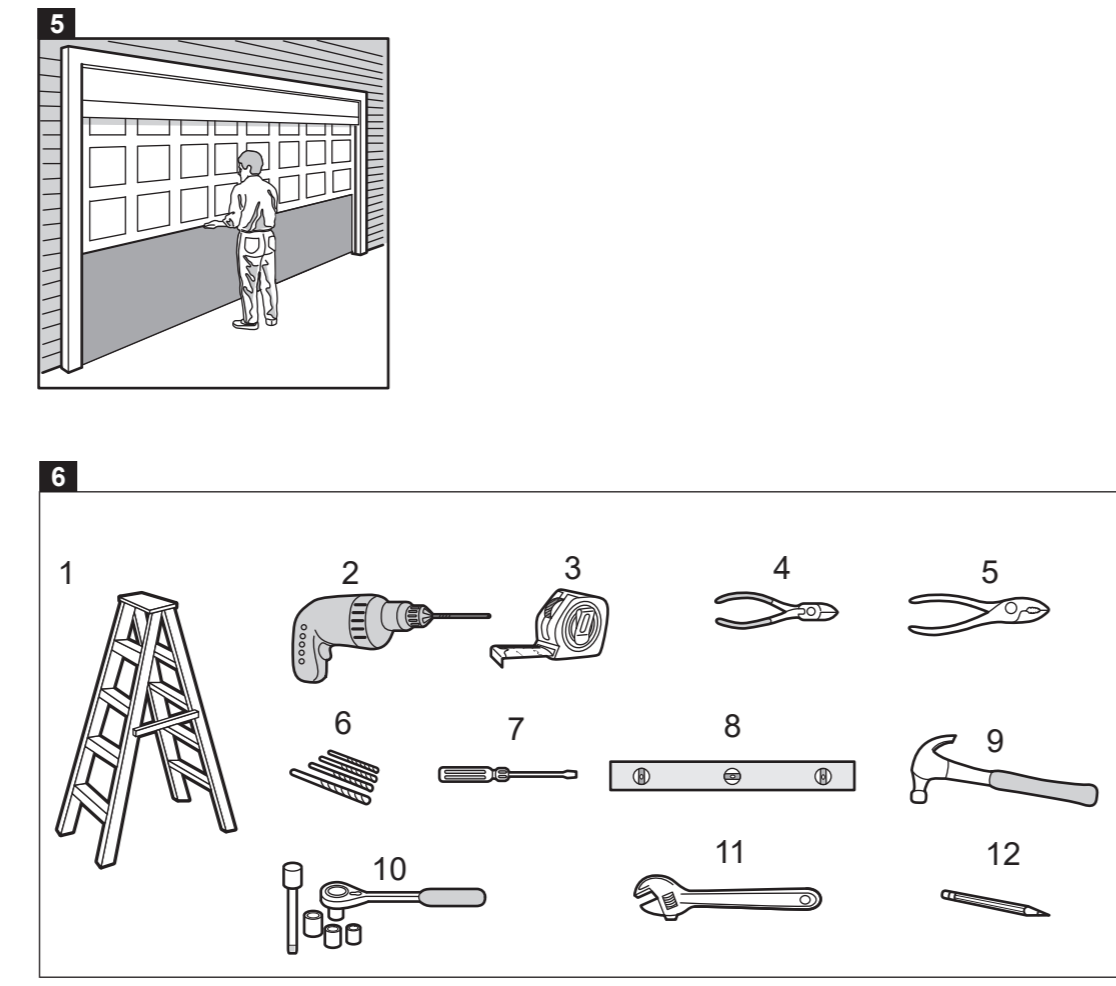
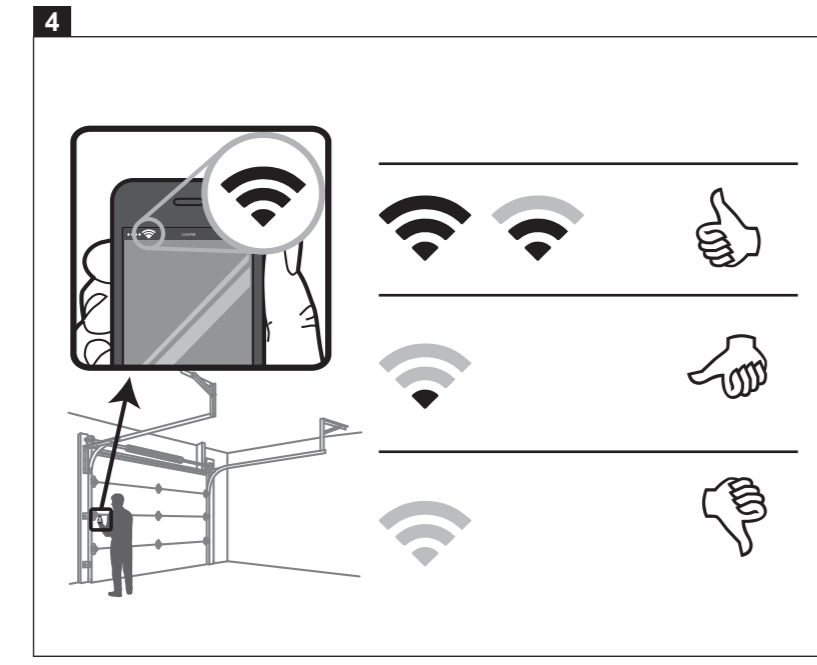
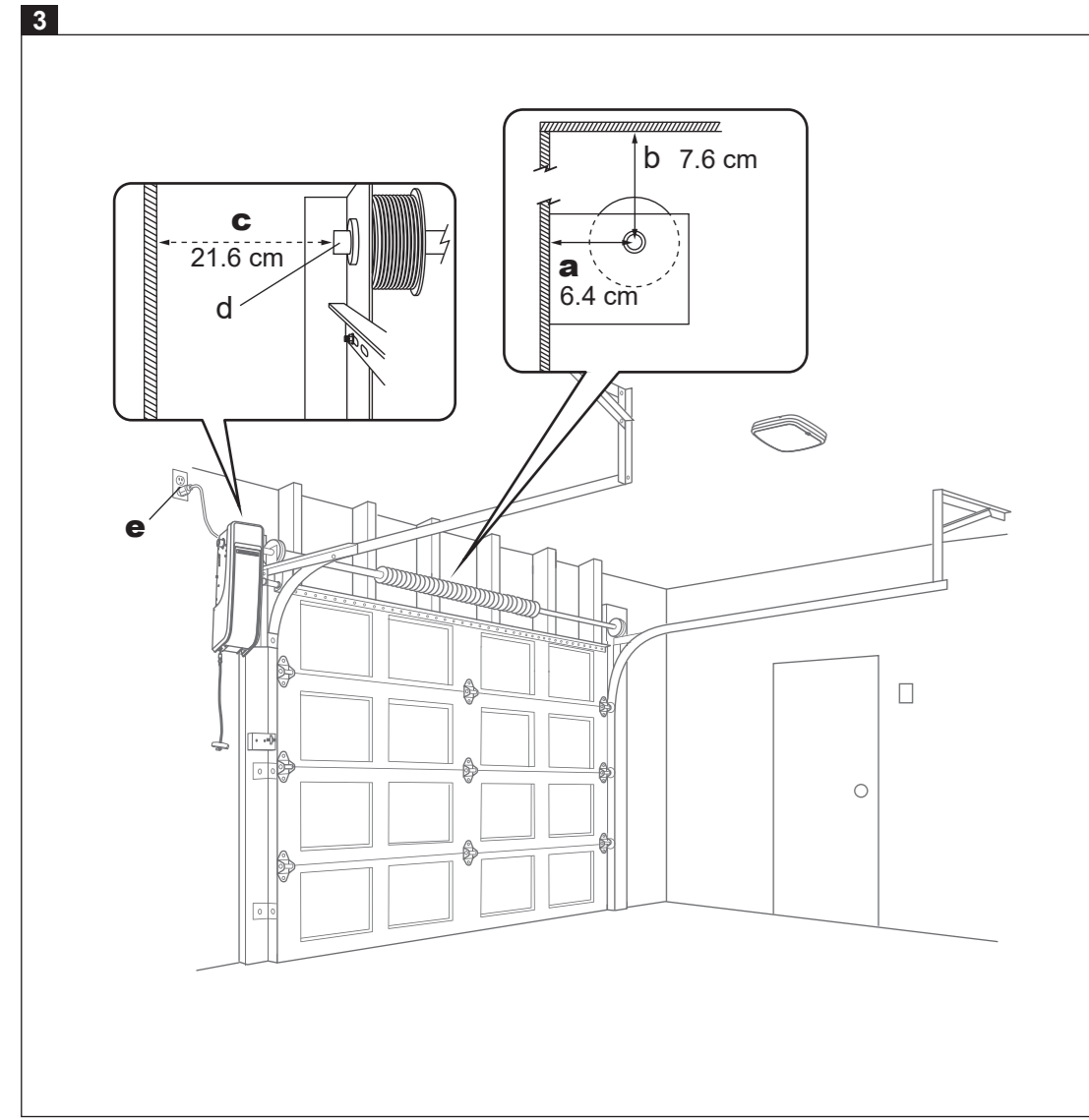
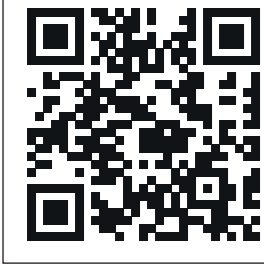
- Opnið og lokið hurðinni með handfröngum eða hentugum gripstöðum.
- Hurðin skal hreyfast auðveldlega og snurðulaust.
- Hurðin skal vera stöðug og haldast hálfopin í 90-120 cm hæð fyrir ofan gólfid.
- Leitið aðstoðar hjá fagaðila í hurðarkerfum ef hurðin starfar ekki á réttan hátt.

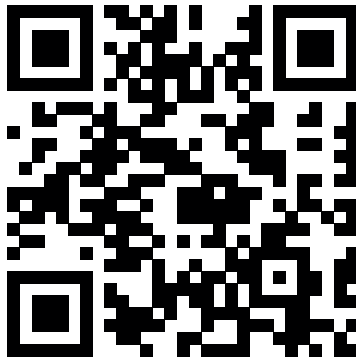
### Prófið öryggisstillingar opnarans:



- Tengjið opnarann aftur við hurðina með handvirka losunarbúnaðinum og opnið hurðina.
- Komið fyrir 40 mm plötu undir hurðina (1) og reynið að loka hurðinni (2). Hurðin skal stöðvast þegar hún snertir plötuna og síðan opnast á ný.
- Skyggið á ljósnemann með því að veifa hlut fyrir framan skynjarann og reynið að loka hurðinni um leið. Hurðin skal ekki lokast nema að veggfesta þrýstihnappinum sé haldið inni á meðan.
- Leitið aðstoðar hjá fagaðila í hurðarkerfum ef opnarinn starfar ekki eins og lýst er hér á undan.







Chamberlain GmbH  
Saar-Lor-Lux-Str. 19  
66115 Saarbrücken  
Germany  
WEEE-Reg.Nr. DE66256568  
[www.liftmaster.eu](http://www.liftmaster.eu)  
[info@liftmaster.eu](mailto:info@liftmaster.eu)

